



US00D425717S

United States Patent [19] Tseng

[11] **Patent Number: Des. 425,717**

[45] **Date of Patent: ** May 30, 2000**

[54] **LAWN CHAIR**

[75] **Inventor: Chuen-Jong Tseng, Chiayi Hsien, Taiwan**

[73] **Assignee: Shin Eyn Enterprise Co., Ltd., Chiayi Hsien, Taiwan**

[**] **Term: 14 Years**

[21] **Appl. No.: 29/106,169**

[22] **Filed: Jun. 10, 1999**

[51] **LOC (7) Cl. 06-01**

[52] **U.S. Cl. D6/369; D6/370**

[58] **Field of Search D6/334, 335, 368, D6/369, 370, 374, 376, 379, 380, 500, 501, 502; 297/16.1, 18, 23**

[56] **References Cited**

U.S. PATENT DOCUMENTS

D. 107,545	12/1937	O'Connor	D6/368
D. 124,217	12/1940	Bales	D6/368
D. 178,287	7/1956	Hamilton	D6/380
D. 207,778	5/1967	Rogers	D6/376
D. 288,871	3/1987	Hubert	D6/368

D. 340,362	10/1993	Kiel	D6/368
D. 357,365	4/1995	Ward et al.	D6/368
3,094,357	6/1963	Shwayder	D6/368 X

OTHER PUBLICATIONS

Grosfillex Contract, folding side chair at top center.
Outdoor Furnitures, Chair #028 at mid-page left.
Smith & Hawken, p. 38, Chair at bottom (as marked).

Primary Examiner—Gary D. Watson
Attorney, Agent, or Firm—Ladas & Parry

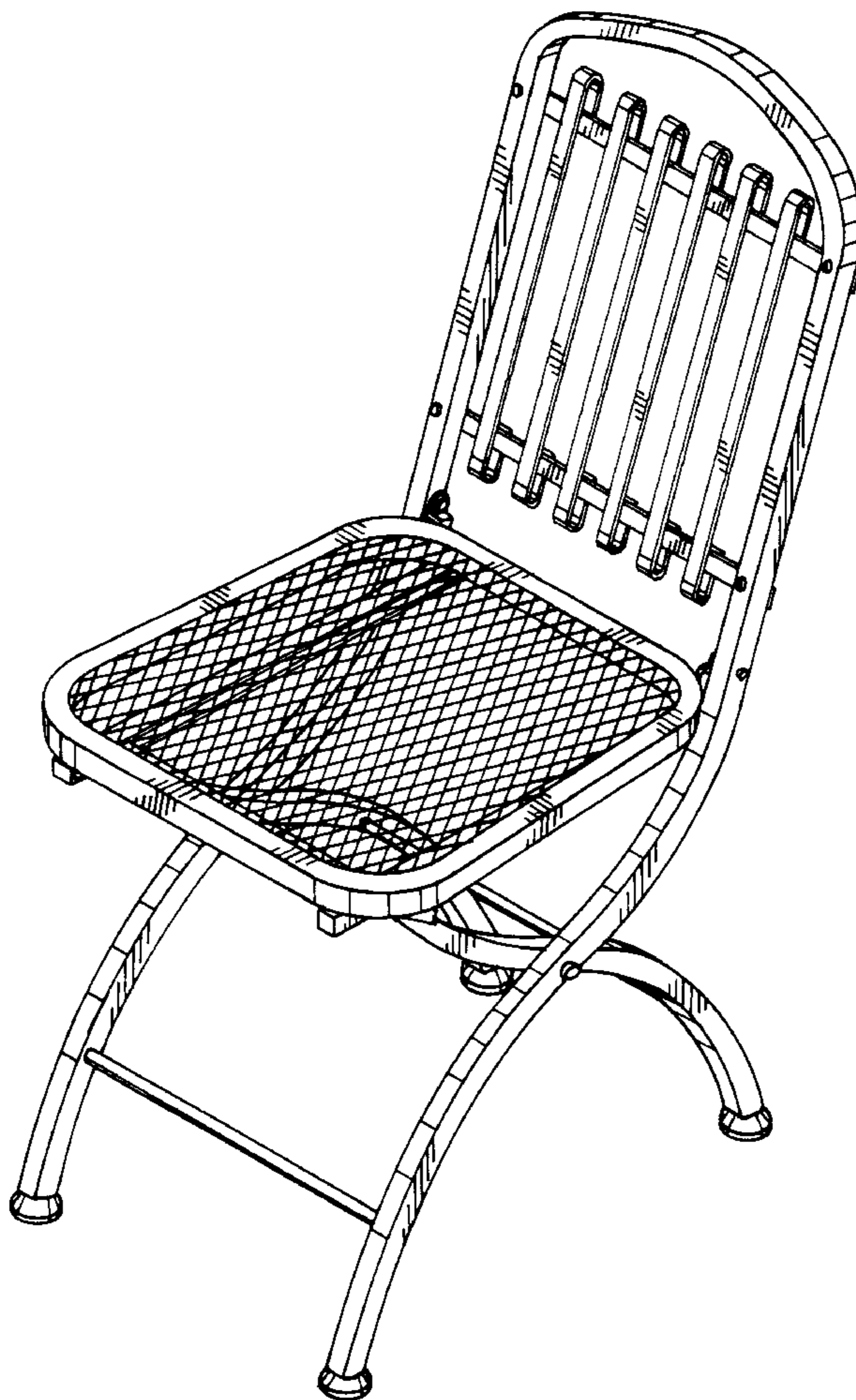
[57] **CLAIM**

The ornamental design for a lawn chair, as shown and described.

DESCRIPTION

FIG. 1 is a perspective view of lawn chair showing my new design;
FIG. 2 is a front elevational view thereof;
FIG. 3 is a rear elevational view thereof;
FIG. 4 is a left side elevational view thereof;
FIG. 5 is a right side elevational view thereof;
FIG. 6 is a top plan view thereof; and,
FIG. 7 is a bottom plan view thereof.

1 Claim, 4 Drawing Sheets



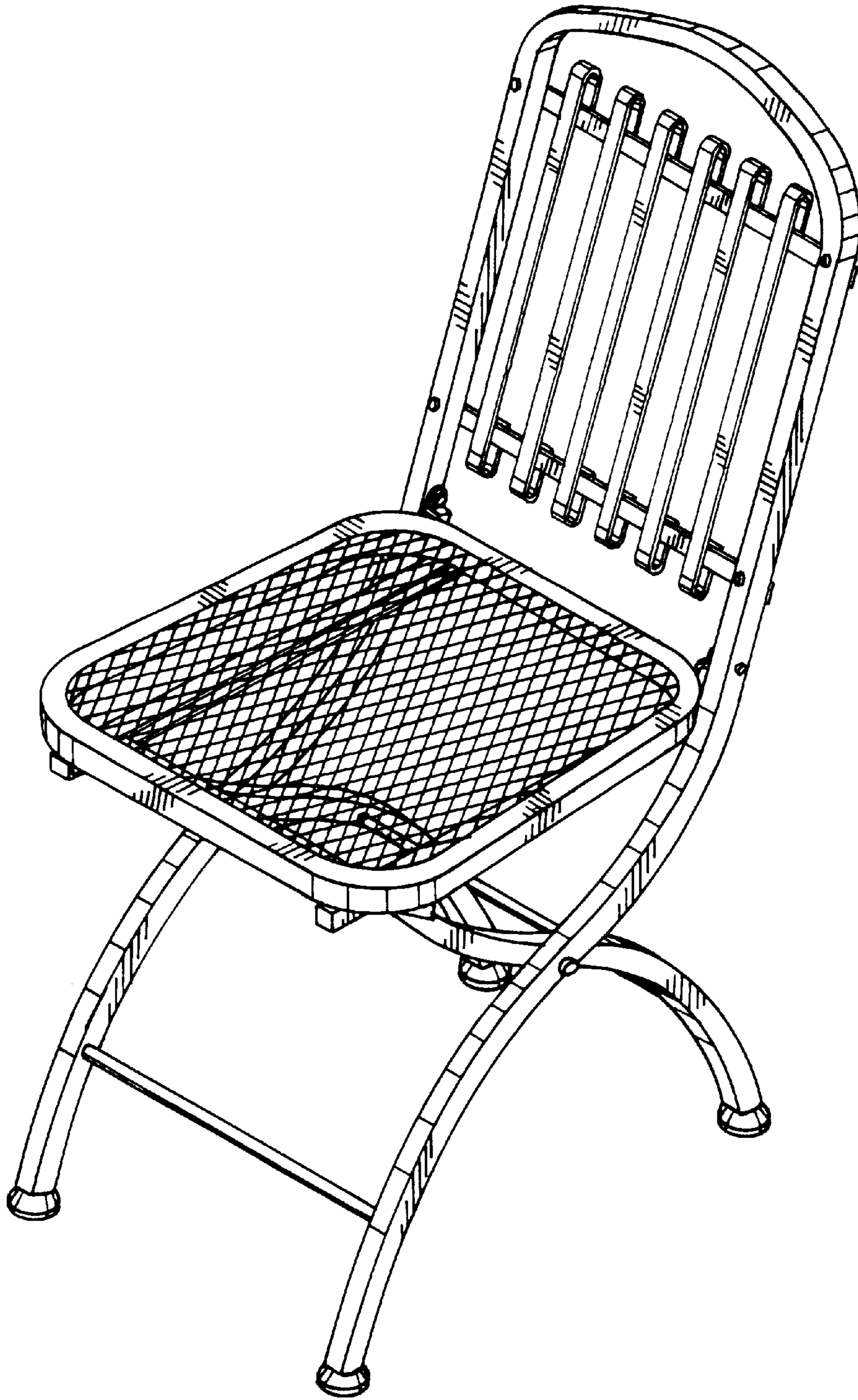


FIG. 1

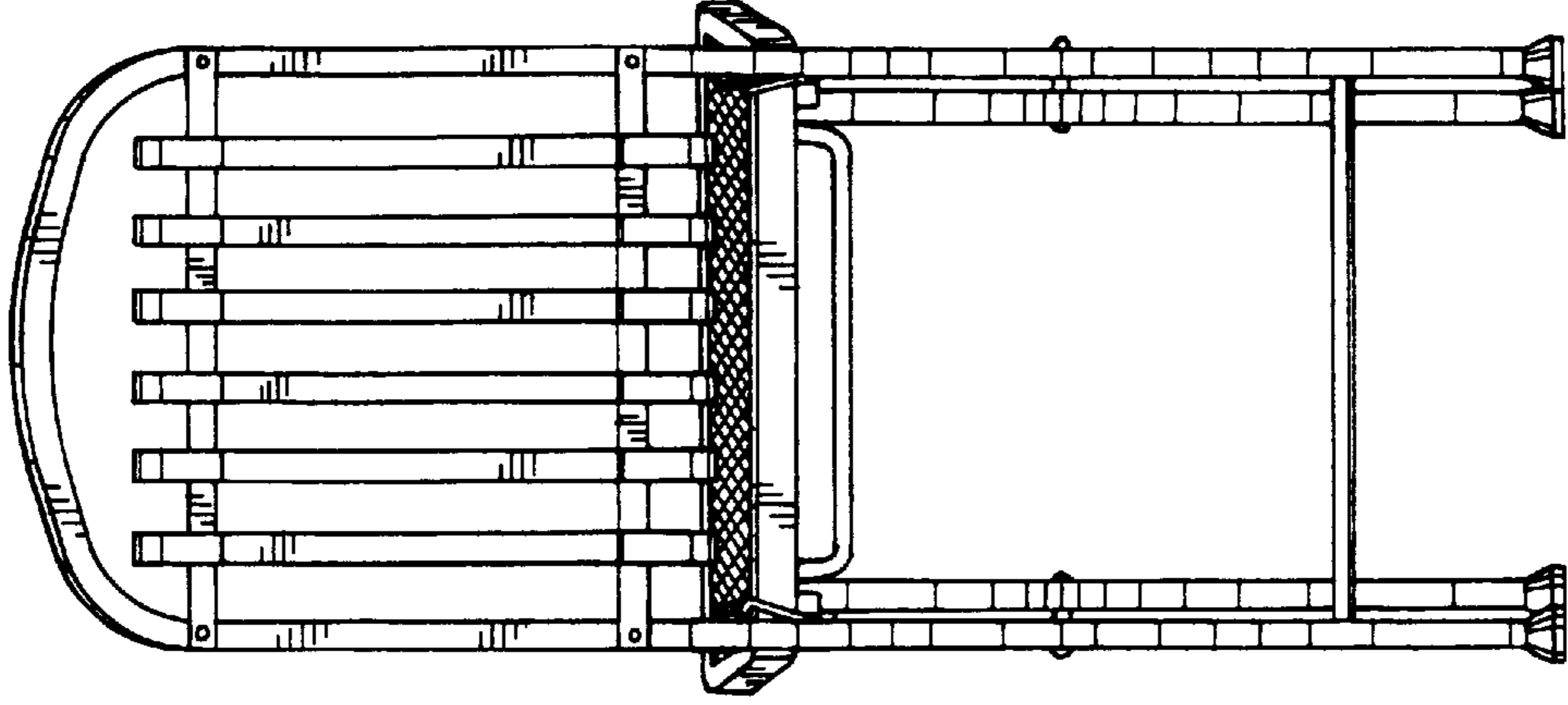


FIG. 2

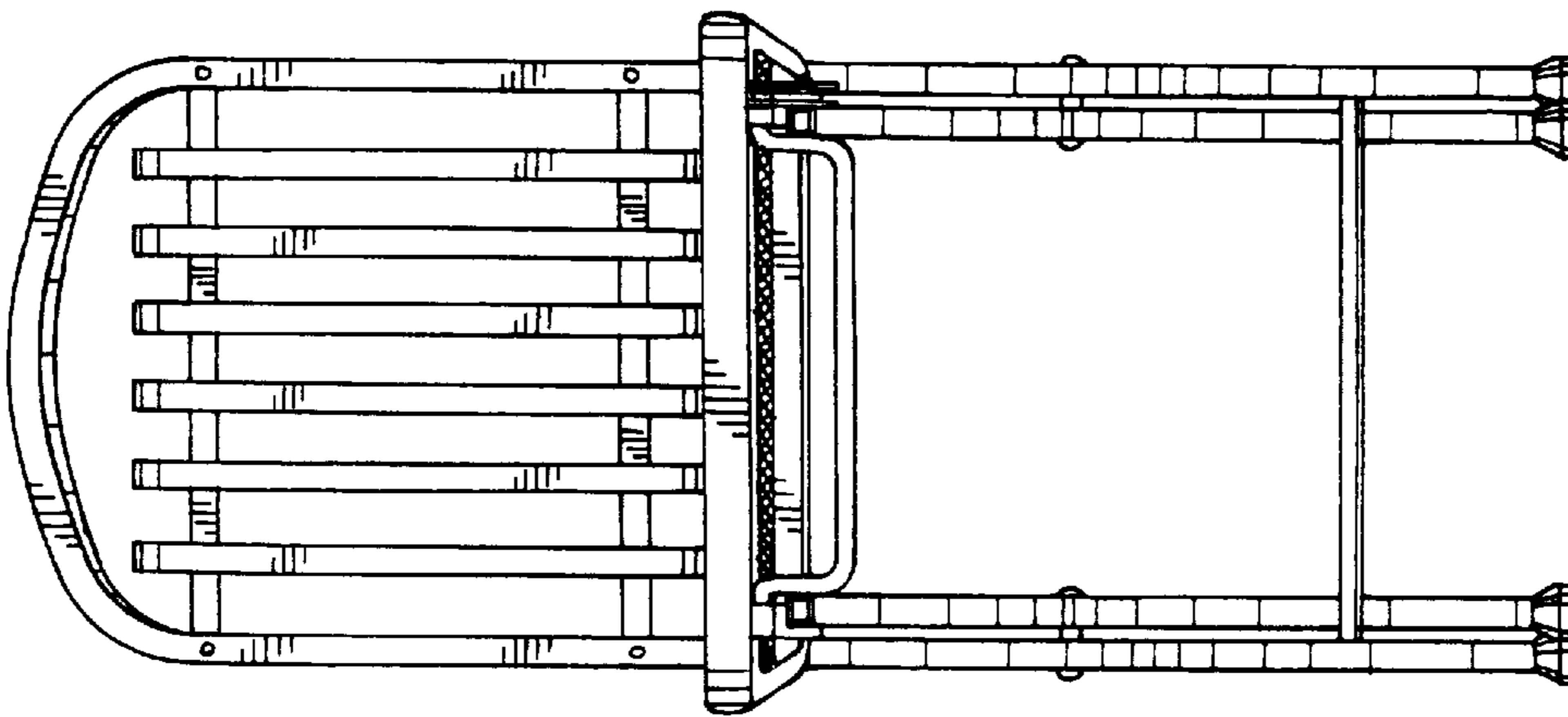


FIG. 3

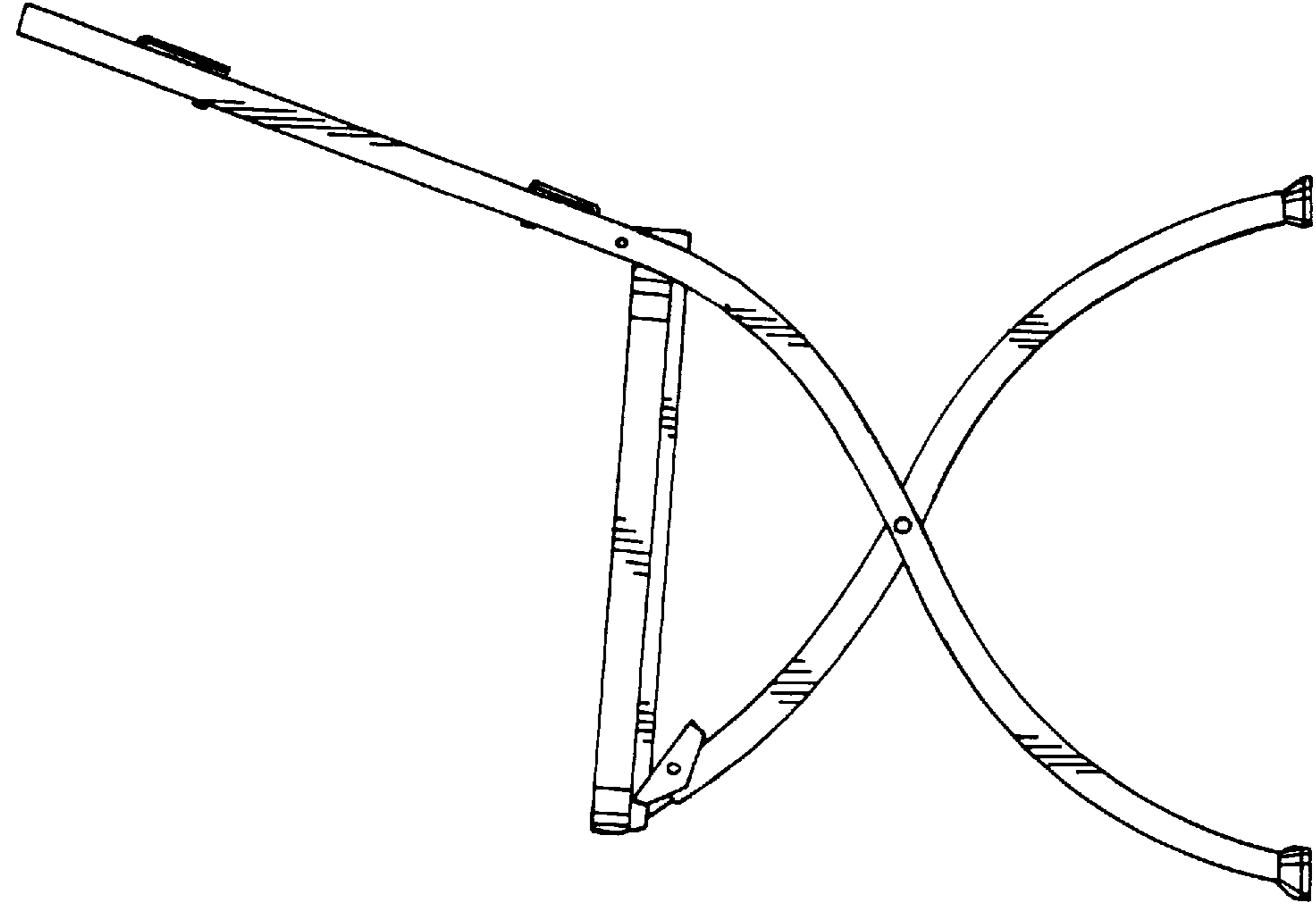


FIG. 4

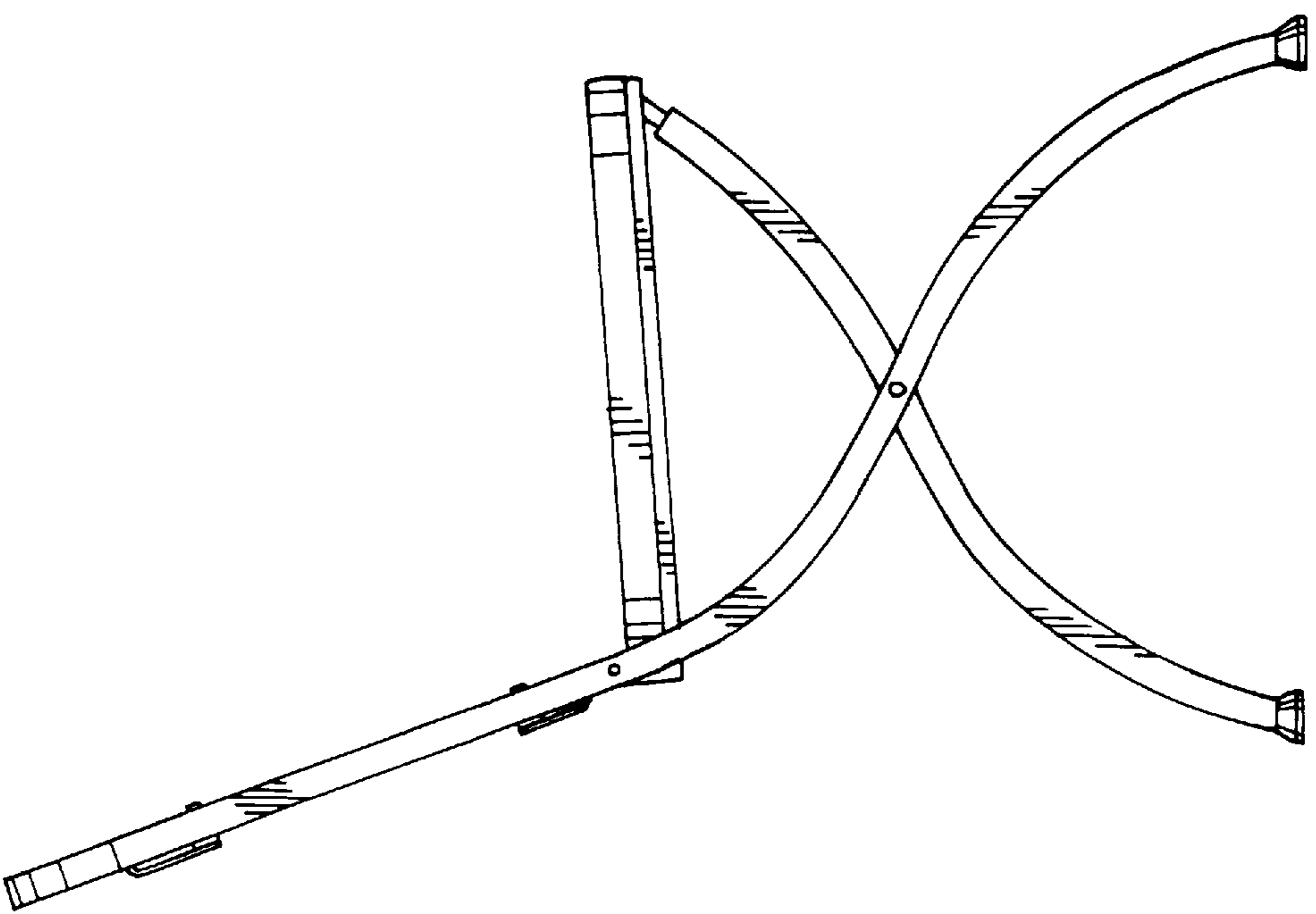


FIG. 5

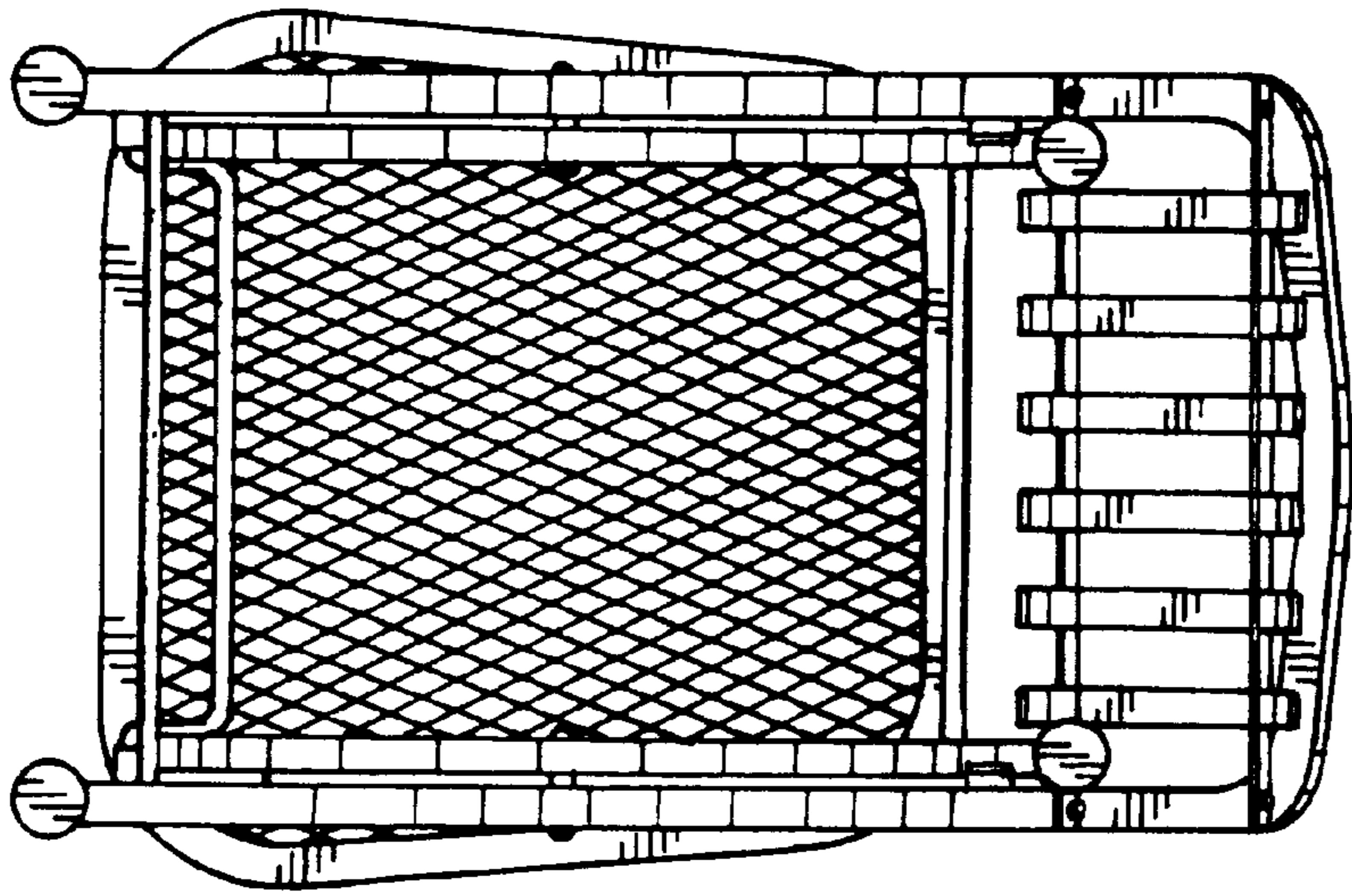


FIG. 7

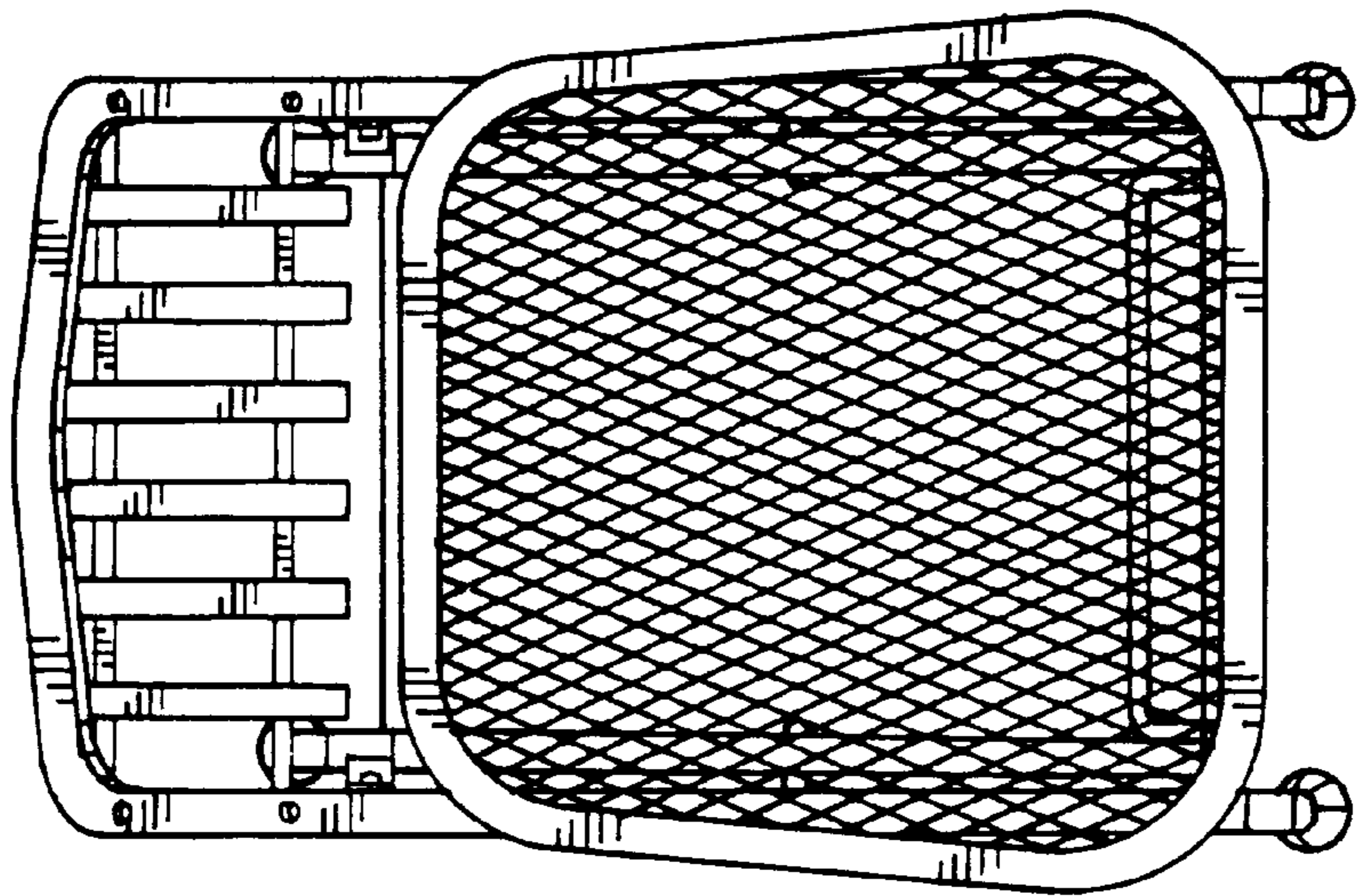


FIG. 6