



US00D425716S

# United States Patent [19] Jensen

[11] **Patent Number: Des. 425,716**

[45] **Date of Patent: \*\* May 30, 2000**

[54] **STADIUM CHAIR**

[75] Inventor: **Jacob Jensen**, Højslev, Denmark

[73] Assignee: **Nordjysk IdrætsService v/Uffe Jensen**, Vestjerg, Denmark

[\*\*] Term: **14 Years**

[21] Appl. No.: **29/100,195**

[22] Filed: **Feb. 4, 1999**

[51] **LOC (7) Cl. .... 06-01**

[52] **U.S. Cl. .... D6/368**

[58] **Field of Search** ..... D6/334, 335, 336,  
D6/362, 365, 368, 376, 379, 380, 381,  
500-502; 297/35, 188.08, 232, 248, 331,  
333, 335, 350, 353; 52/6, 8, 9

[56] **References Cited**

**U.S. PATENT DOCUMENTS**

D. 188,185	6/1960	Henrikson et al. ....	D6/368
D. 225,494	12/1972	Ahrens .....	D6/368
D. 252,482	7/1979	Blodee .....	D6/365
D. 321,600	11/1991	Brennan .....	D6/362
775,879	11/1904	Wiesching et al. ....	297/232
3,025,106	3/1962	Evans et al. ....	297/248
3,170,199	2/1965	Martin .....	52/8
3,194,601	7/1965	Hoven et al. ....	297/333

3,316,014	4/1967	Barecki .....	297/35
3,443,835	5/1969	Brunskole .....	297/35
3,703,312	11/1972	Chapman .....	297/35
4,850,159	7/1989	Conner .....	52/9
5,927,800	7/1999	Stallworth .....	297/188.08

**FOREIGN PATENT DOCUMENTS**

0094 2/1998 Denmark .

*Primary Examiner*—Doris V. Coles  
*Assistant Examiner*—Mimosa De  
*Attorney, Agent, or Firm*—Frost & Jacobs LLP

[57] **CLAIM**

The ornamental design for a stadium chair, as shown and described.

**DESCRIPTION**

FIG. 1 is a front perspective view showing the stadium chair of the present invention;  
FIG. 2 is a rear perspective view showing the stadium chair of the present invention;  
FIG. 3 is a front plan view thereof;  
FIG. 4 is a rear plan view thereof;  
FIG. 5 is a side plan view thereof;  
FIG. 6 is a bottom plan view thereof; and,  
FIG. 7 is a top plan view thereof.

**1 Claim, 7 Drawing Sheets**

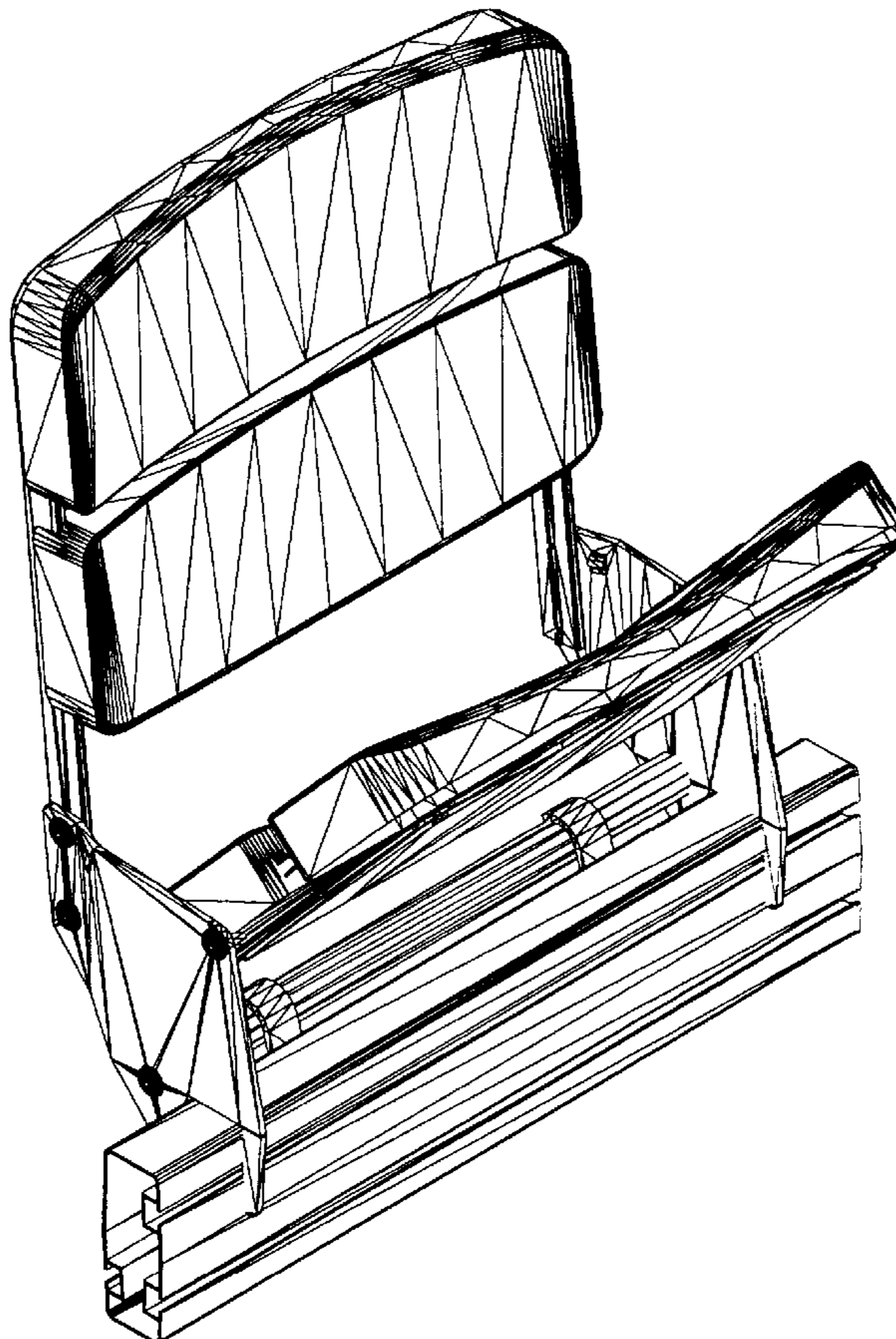


FIG. 1

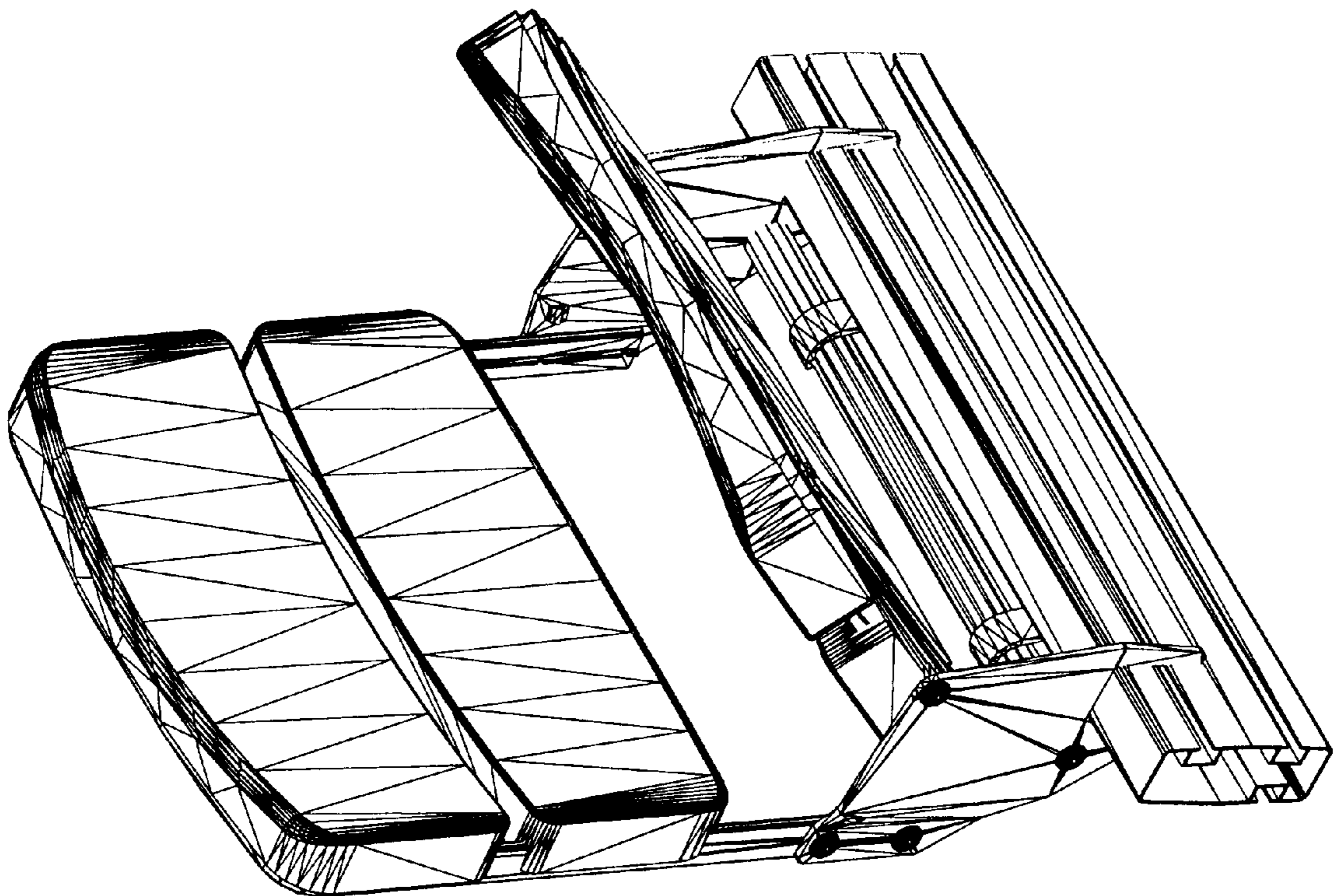
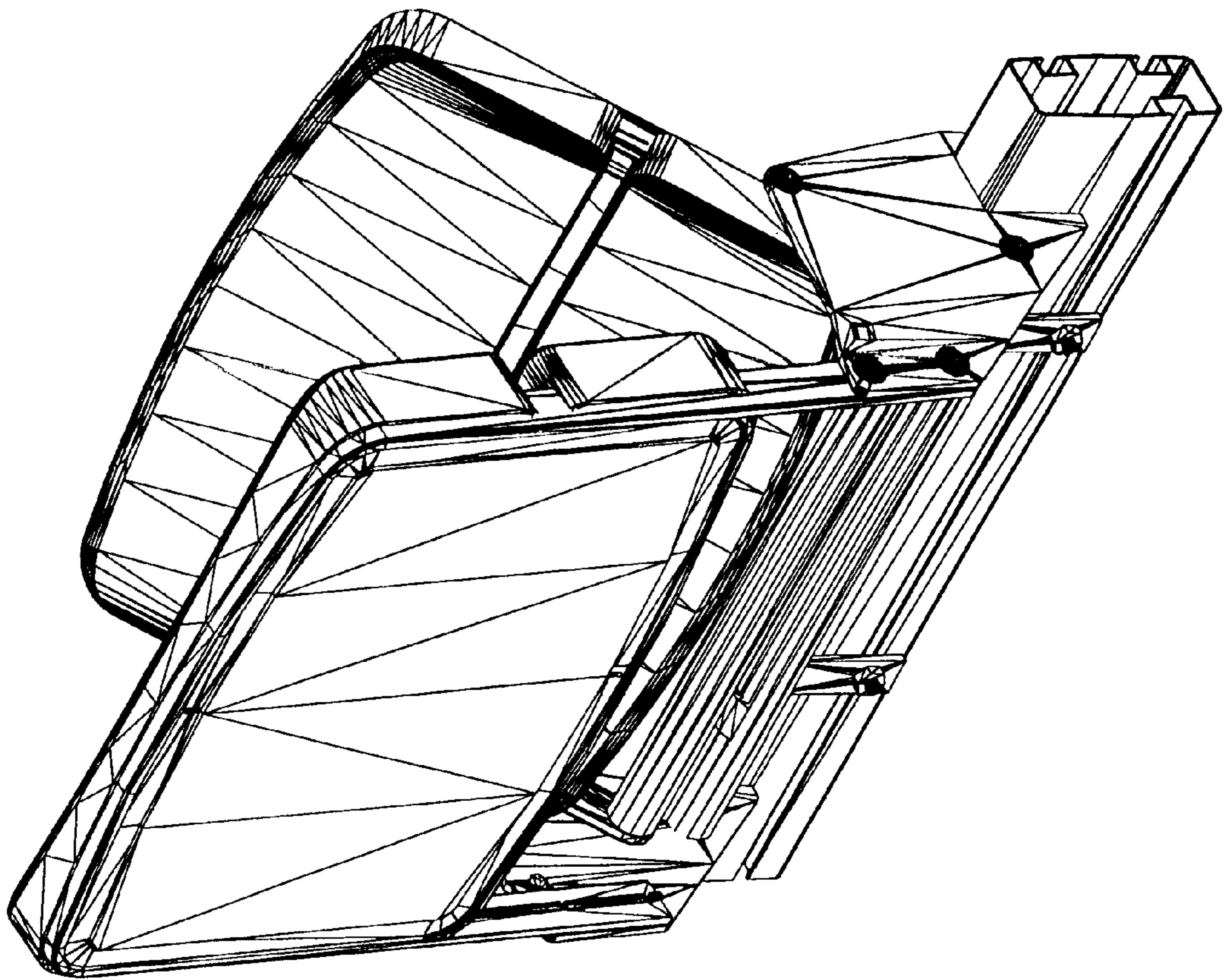


FIG. 2





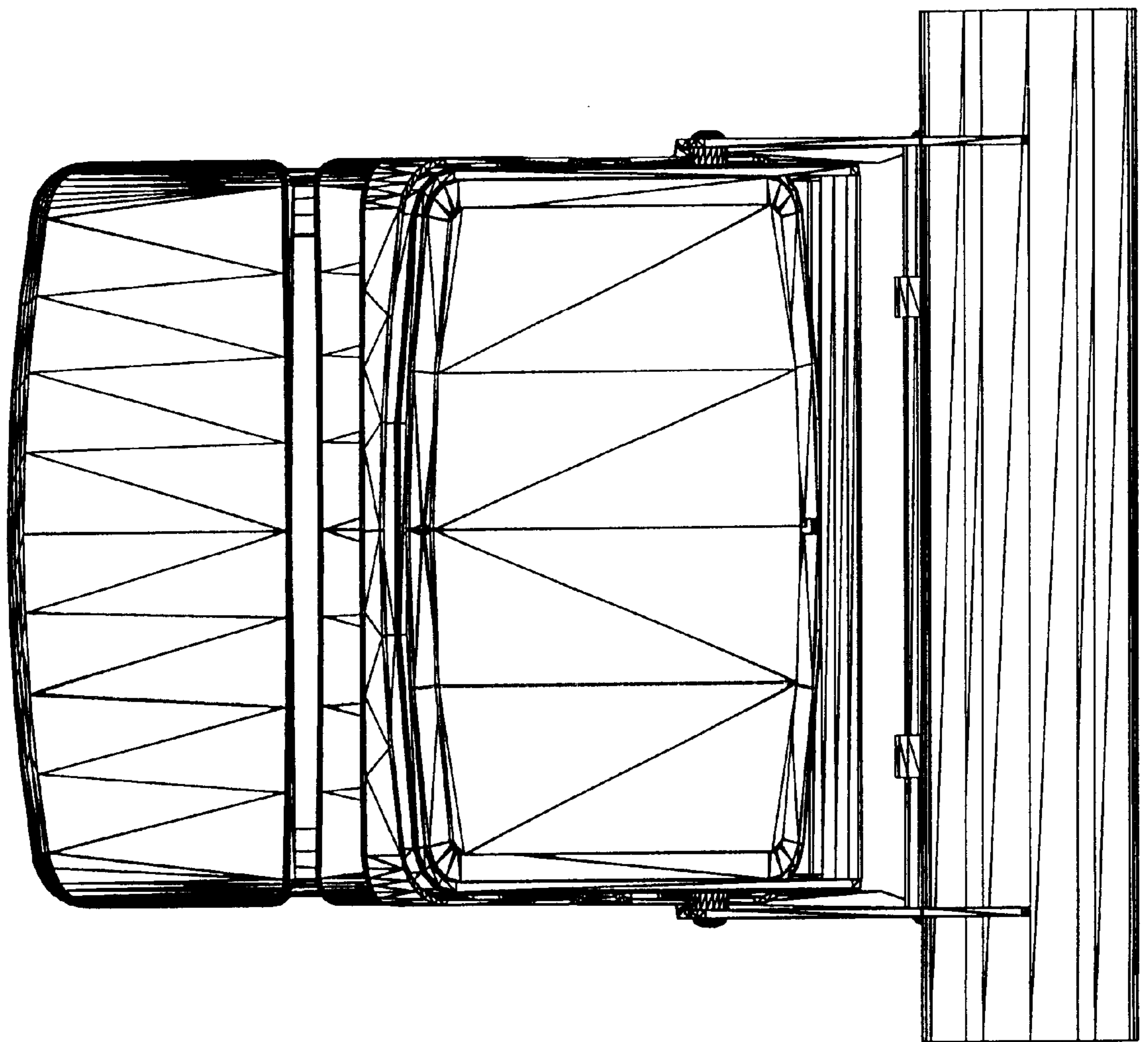
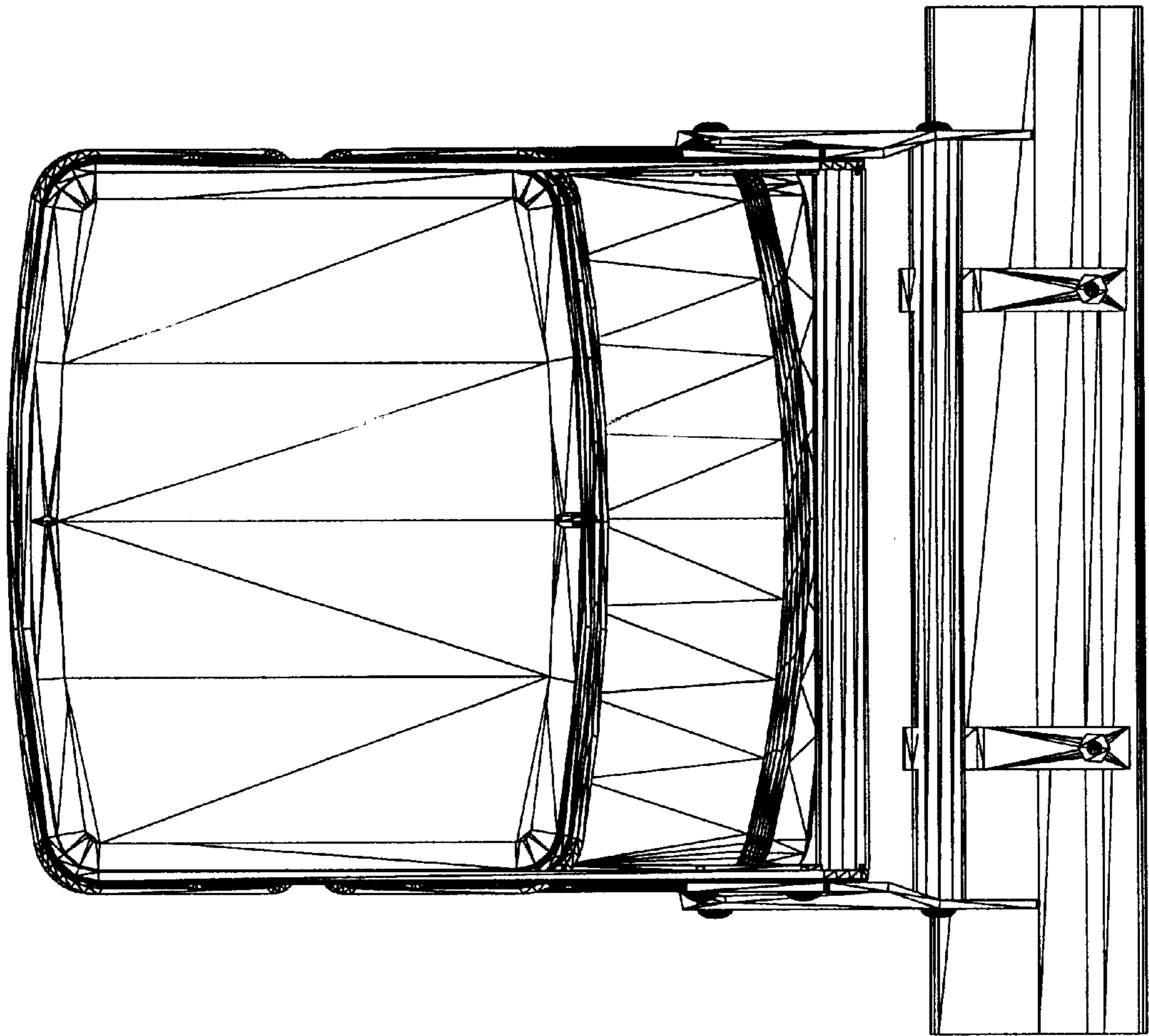


FIG. 3

FIG. 4



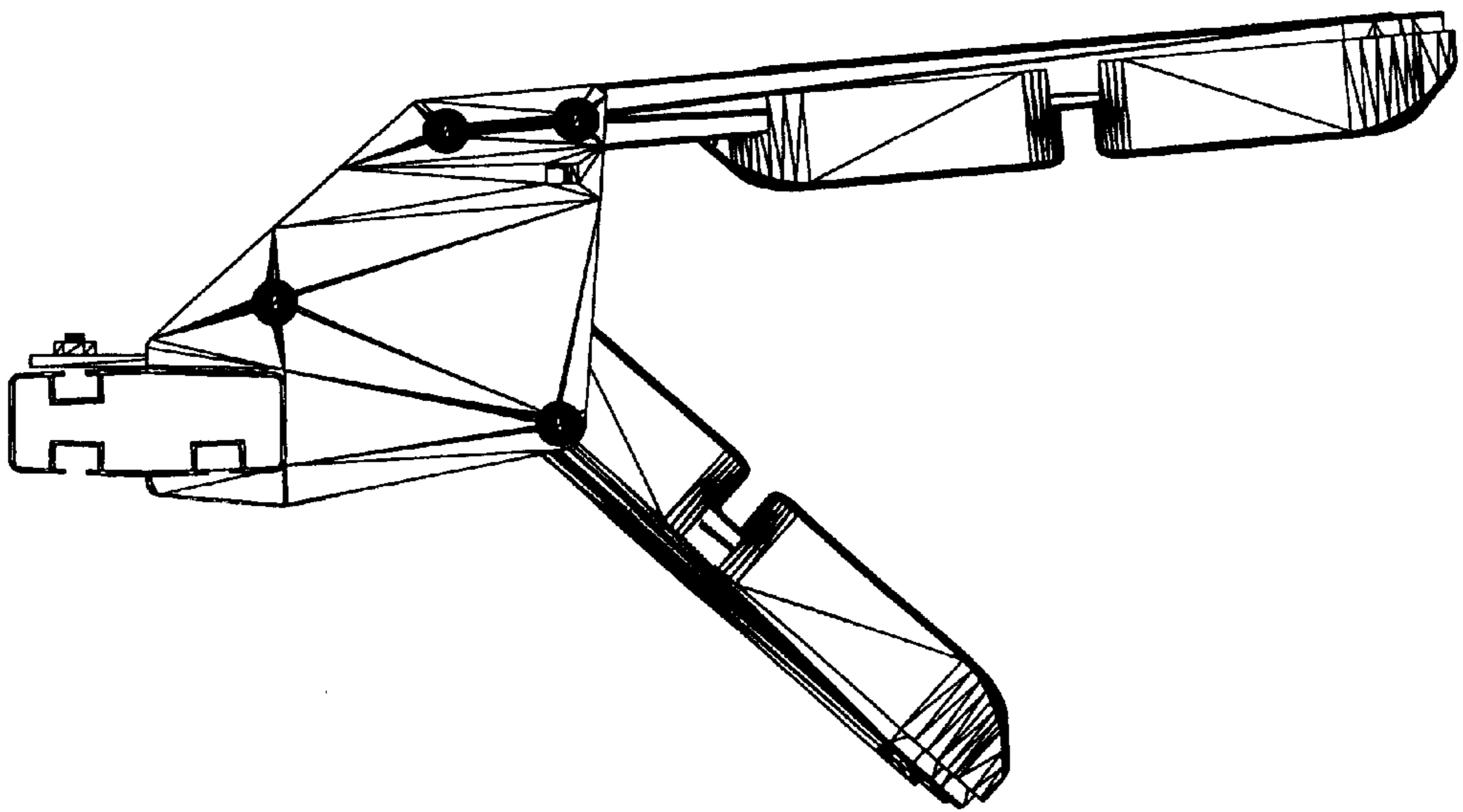


FIG. 5

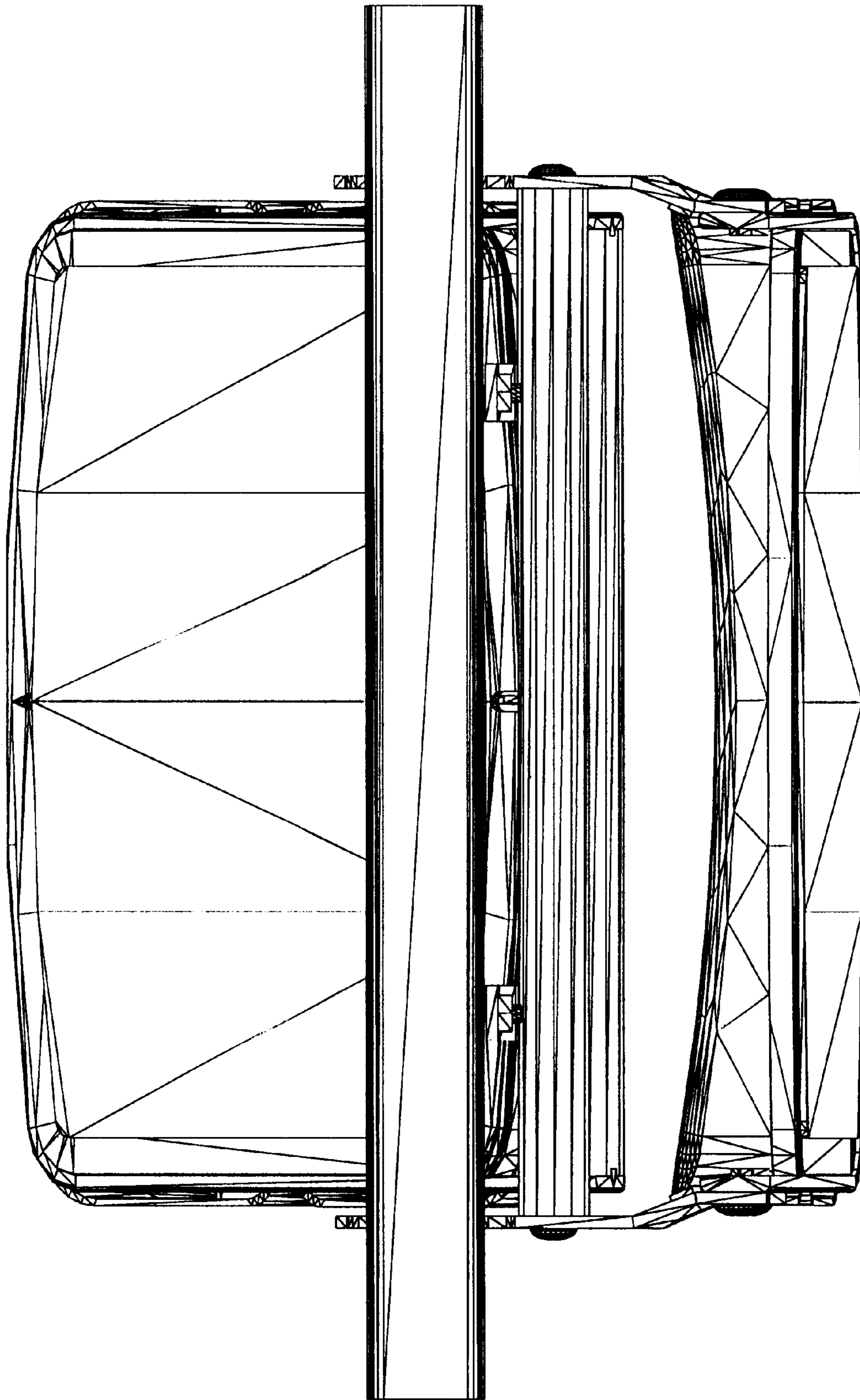


FIG. 6

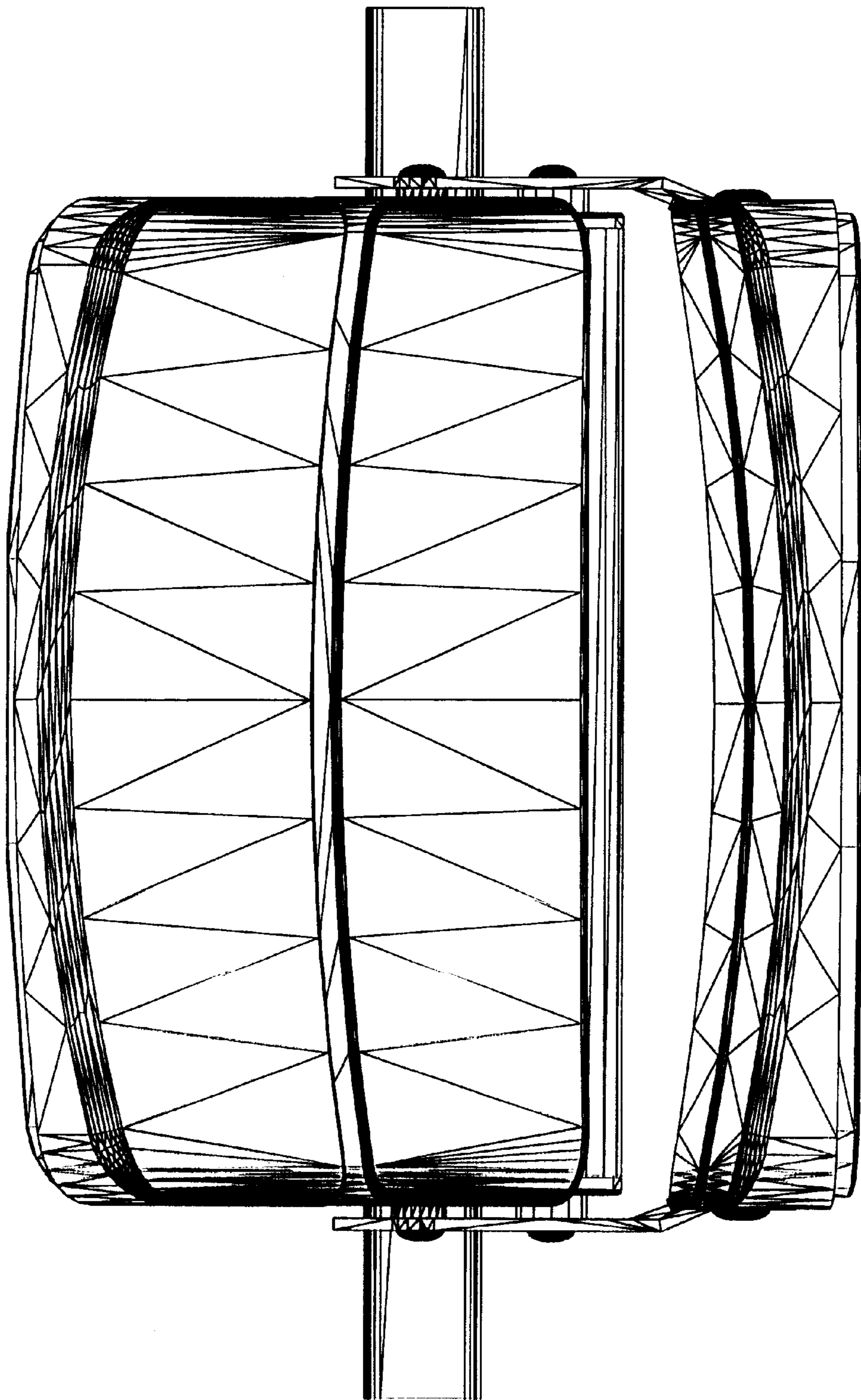


FIG. 7