



US00D425715S

# United States Patent [19] Breen

[11] **Patent Number: Des. 425,715**

[45] **Date of Patent: \*\* May 30, 2000**

[54] **CHAIR**

[75] Inventor: **William R. Breen**, Etobicoke, Canada

[73] Assignee: **Nightingale Inc.**, Mississauga, Canada

[\*\*] Term: **14 Years**

[21] Appl. No.: **29/109,221**

[22] Filed: **Oct. 16, 1998**

D. 373,695	9/1996	Buffen .....	D6/500
D. 380,098	6/1997	Breen .....	D6/366
D. 390,369	2/1998	Breen .....	D6/366
D. 396,567	8/1998	Saul .....	D6/366
D. 409,022	5/1999	Vanderwood et al. ....	D6/500
D. 414,951	10/1999	Breen .....	D6/366

*Primary Examiner*—Gary D. Watson  
*Attorney, Agent, or Firm*—Barrigar & Moss

### Related U.S. Application Data

[62] Division of application No. 29/067,937, Mar. 12, 1997.

[51] **LOC (7) Cl.** ..... **06-01**

[52] **U.S. Cl.** ..... **D6/366**

[58] **Field of Search** ..... D6/334, 335, 364,  
D6/365, 366, 367, 379, 500, 501, 502;  
297/411.2, 411.27, 411.28

### [56] **References Cited**

#### U.S. PATENT DOCUMENTS

D. 298,188 10/1988 Hensel ..... D6/366

### [57] **CLAIM**

The ornamental design for a chair, as shown and described.

### DESCRIPTION

FIG. 1 is a perspective view taken from above and from the left side of a chair showing my new design;

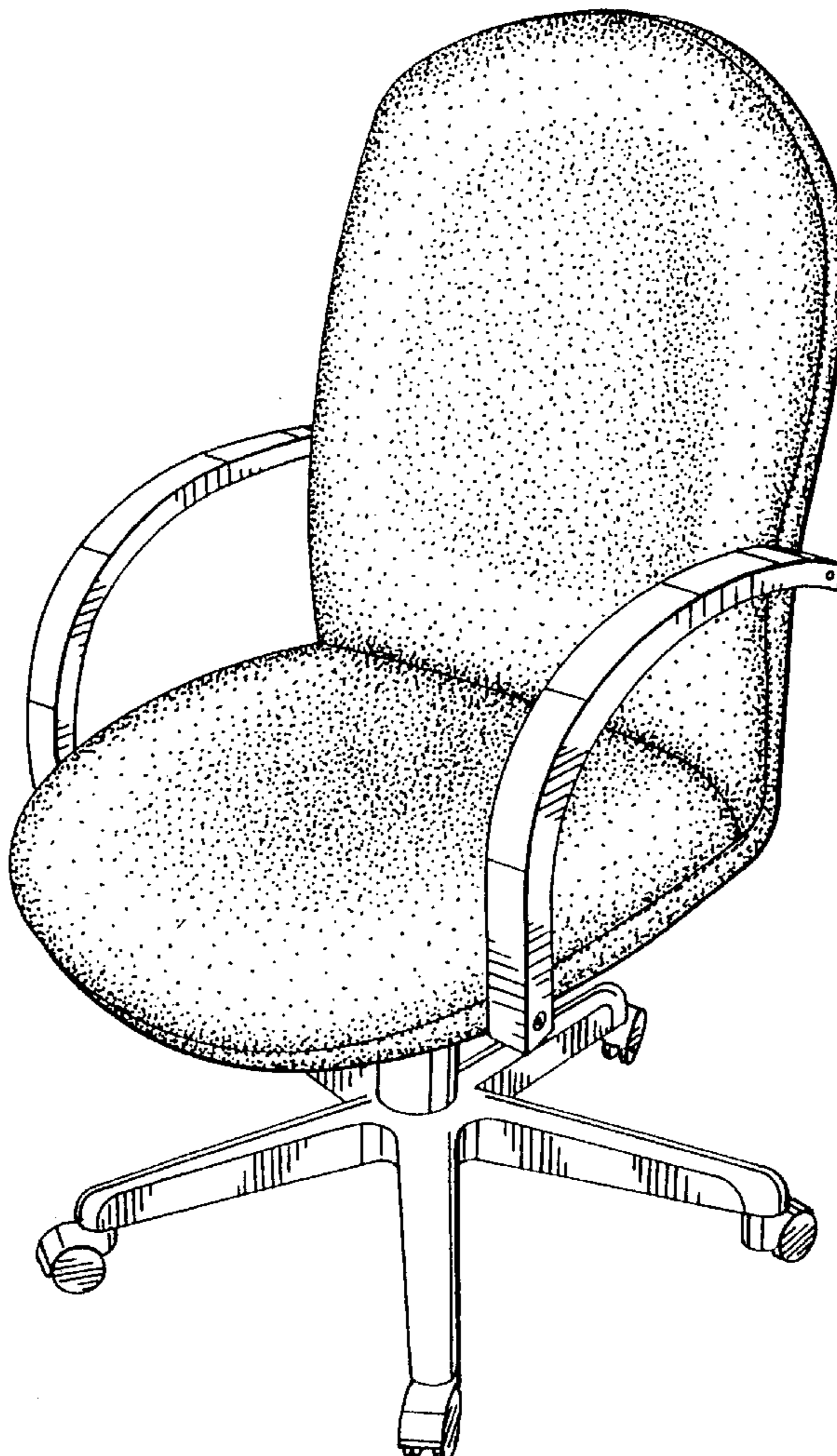
FIG. 2 is a rear elevational view of the chair shown in FIG. 1;

FIG. 3 is a right side elevational view of the chair shown in FIG. 1, the left side being a mirror image thereof;

FIG. 4 is a front elevational view of the chair shown in FIG. 1; and,

FIG. 5 is a top plan view of the chair shown in FIG. 1.

**1 Claim, 3 Drawing Sheets**



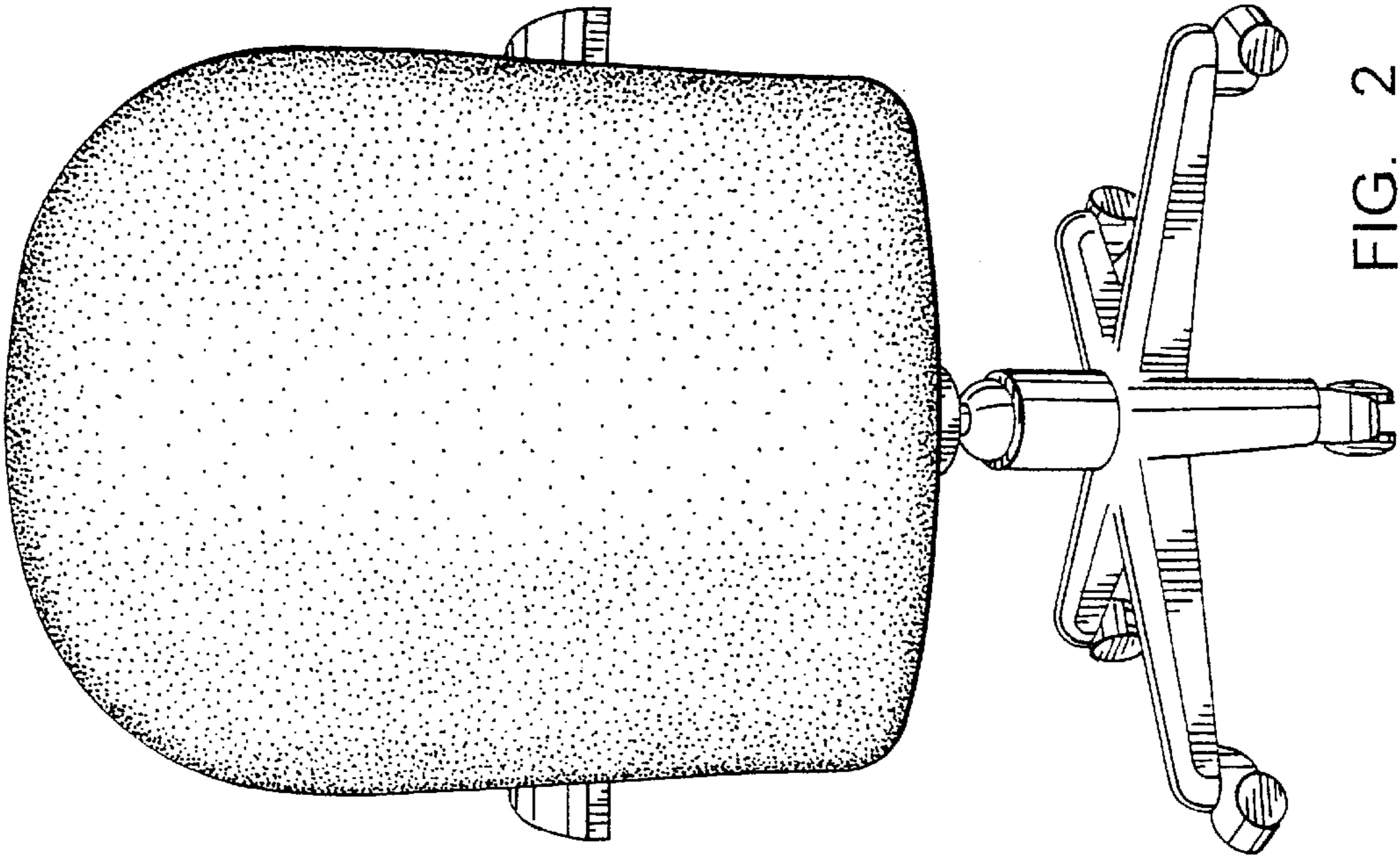


FIG. 2

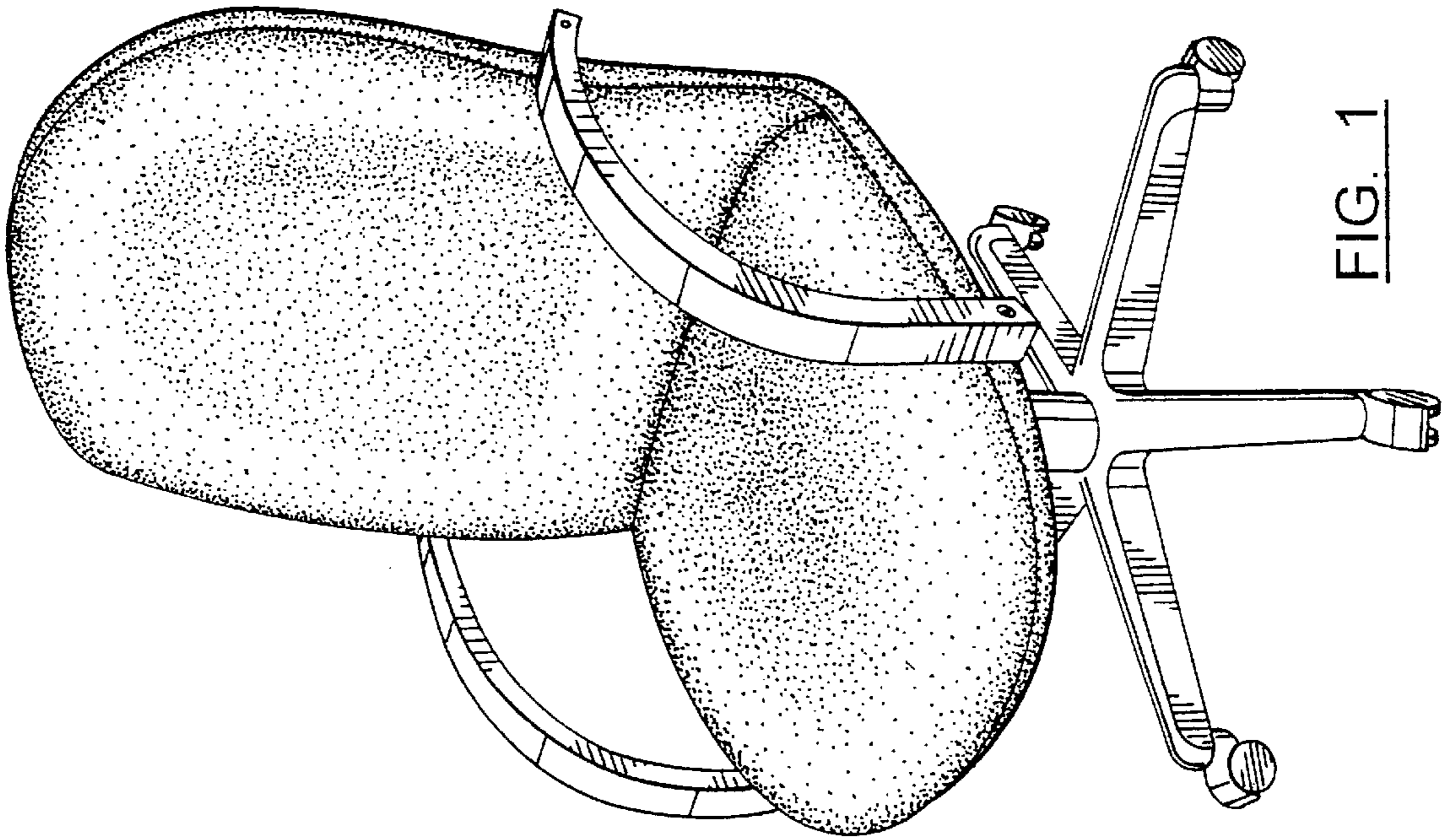
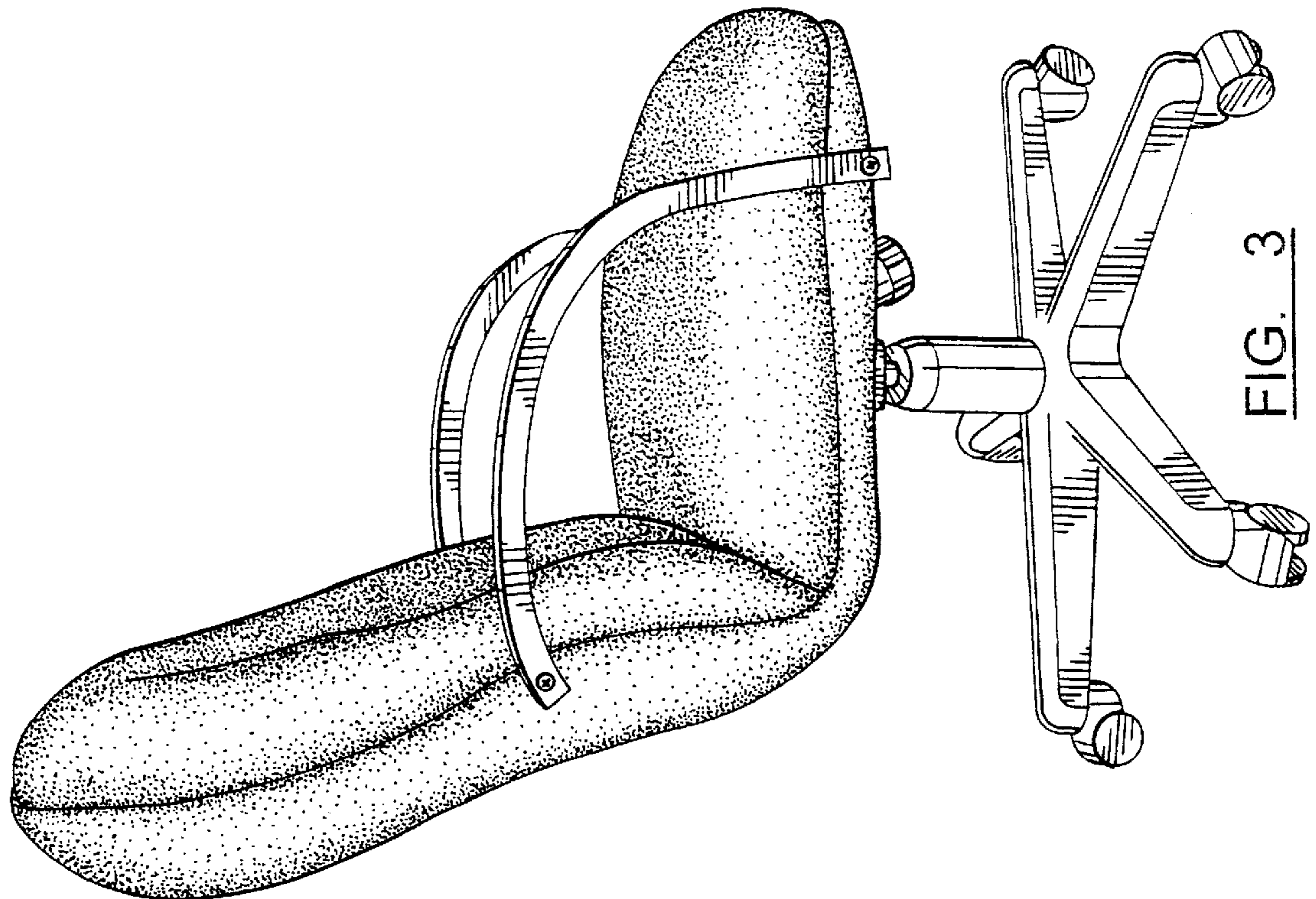
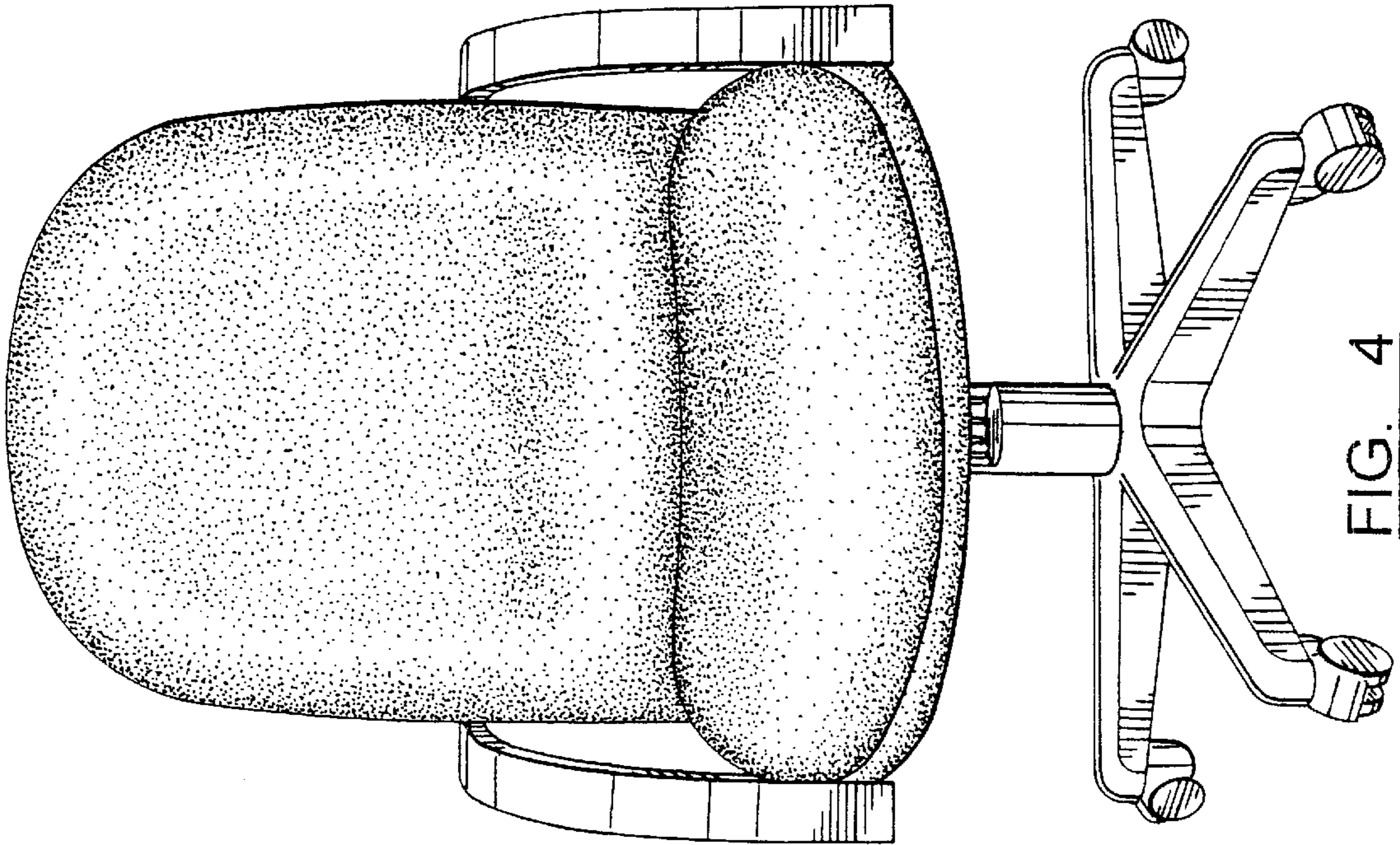


FIG. 1



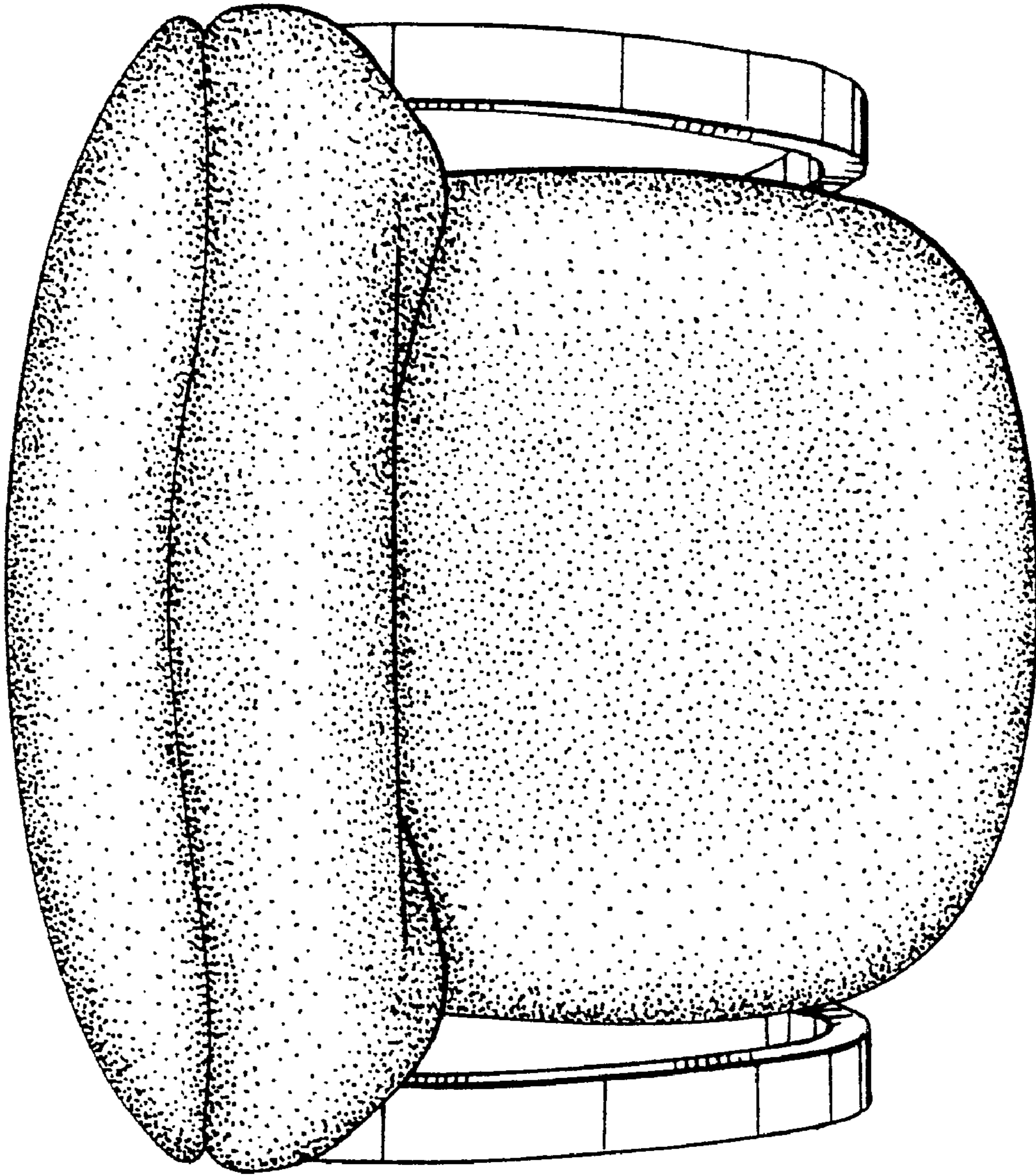


FIG. 5