



US00D425707S

United States Patent [19] Olsson

[11] Patent Number: **Des. 425,707**

[45] Date of Patent: **** May 30, 2000**

[54] **BRUSH FOR HYGIENIC PURPOSES**

[75] Inventor: **Maritza Olsson**, Stenungssund, Sweden

[73] Assignee: **Itza Produkter**, Stenungssund, Sweden

[**] Term: **14 Years**

[21] Appl. No.: **29/095,214**

[22] Filed: **Oct. 19, 1998**

[30] Foreign Application Priority Data

Jun. 17, 1998 [SE] Sweden 989849

[51] **LOC (7) Cl.** **04-02**

[52] **U.S. Cl.** **D4/119; D4/130**

[58] **Field of Search** D4/119, 130, 132,
D4/138, 199; D28/63; 15/106, 110, 159.1,
160, 161, 186, 187, DIG. 5, DIG. 6; 4/606;
601/136, 137

[56] References Cited

U.S. PATENT DOCUMENTS

- D. 341,720 11/1993 Bramley D4/119
- D. 358,034 5/1995 Hoagland D4/138
- D. 374,505 10/1996 Garrison D28/63

- 378,784 2/1888 Foster et al. 15/160
- 1,954,940 4/1934 Mikel 15/110 X
- 5,709,490 1/1998 Dyas 15/106 X

Primary Examiner—Joel Sincavage
Assistant Examiner—Lavone D. Tabor
Attorney, Agent, or Firm—Michael J. Brown; John L. Chiatas

[57] CLAIM

I claim the ornamental design for the brush for hygienic purposes, as shown and described.

DESCRIPTION

FIG. 1 is a perspective view showing the top and left sides of the new ornamental brush for hygienic purposes of the present invention.

FIG. 2 is a perspective view showing the top and right sides of the invention shown in FIG. 1.

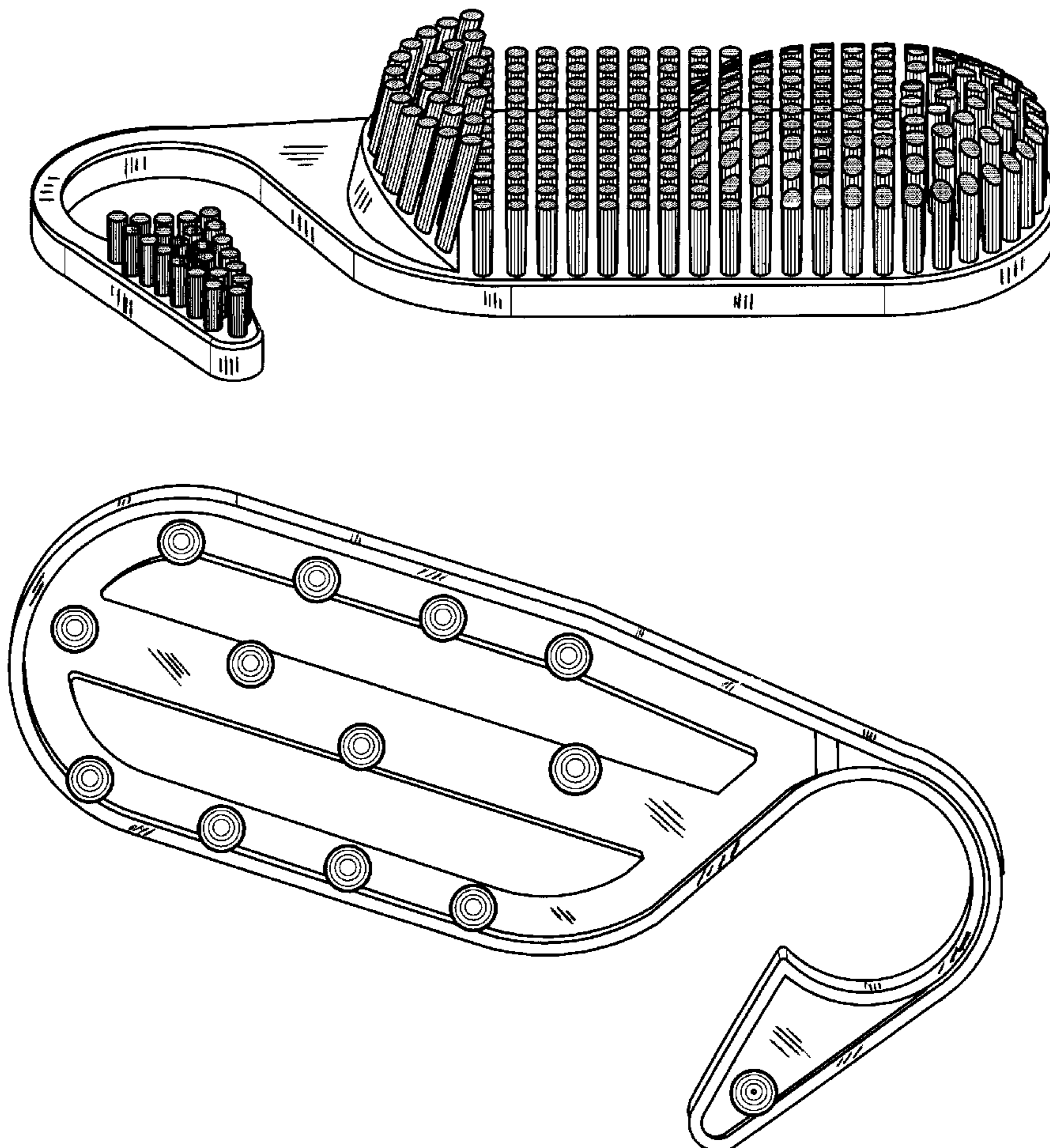
FIG. 3 is a left side view of the invention shown in FIG. 1.

FIG. 4 is a brush end view of the invention shown in FIG. 1.

FIG. 5 is a handle end view of the invention shown in FIG. 1; and,

FIG. 6 is a bottom view of the invention shown in FIG. 1.

1 Claim, 3 Drawing Sheets



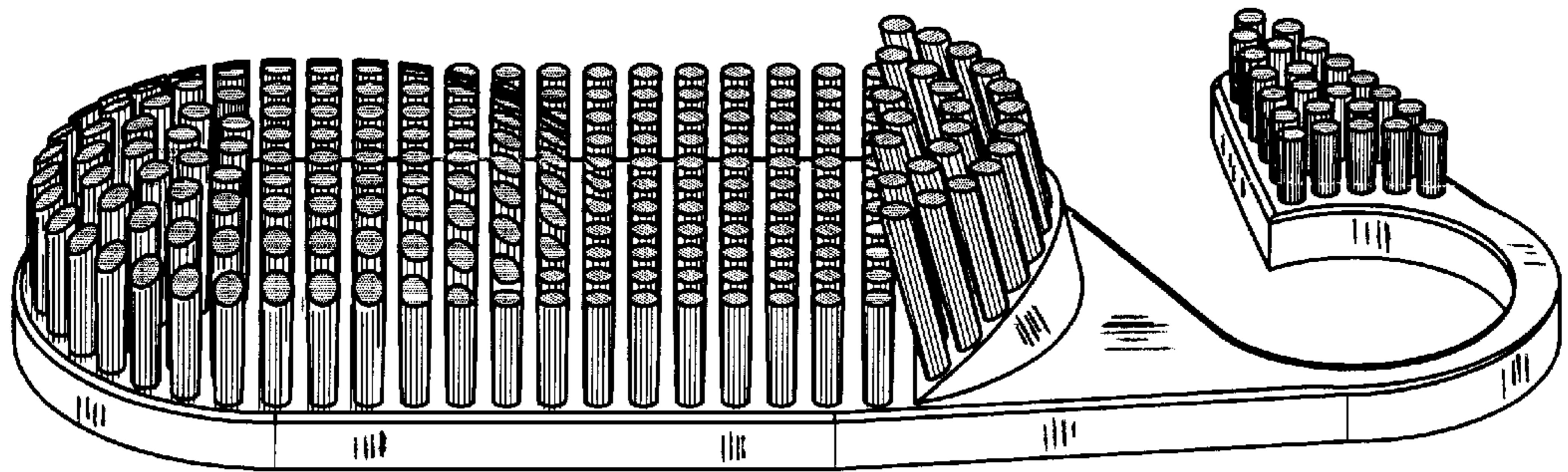


FIG. 1

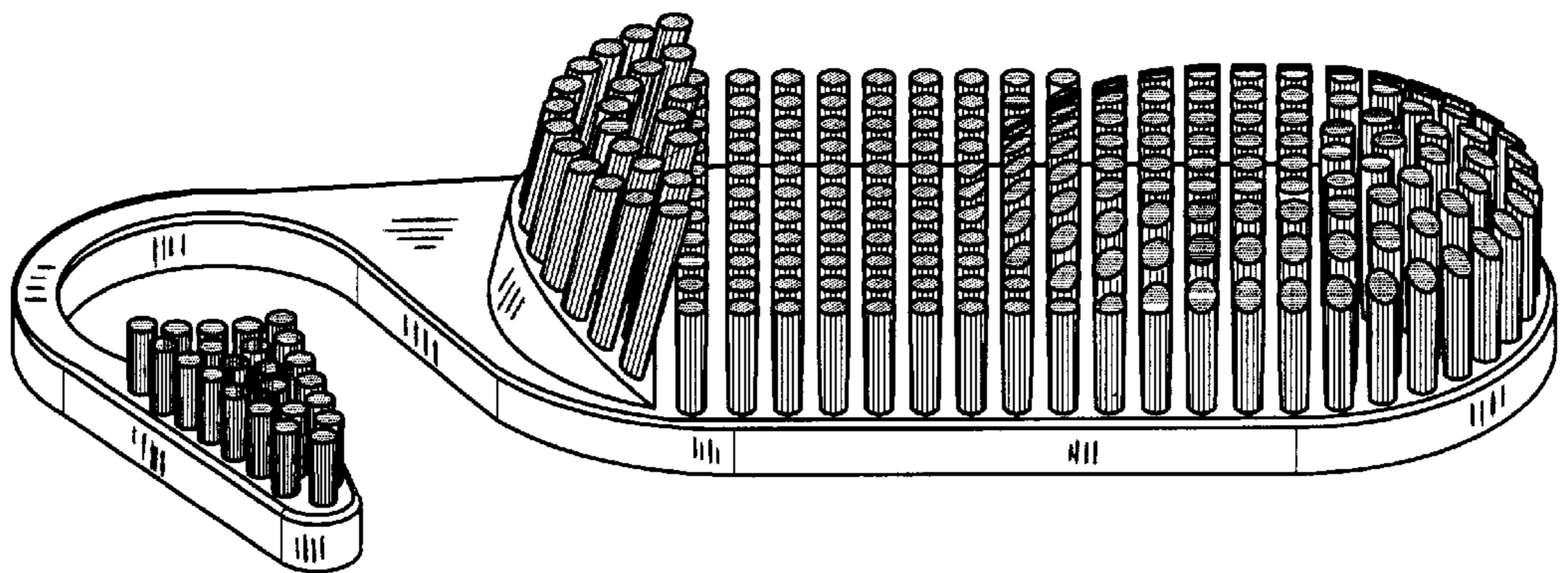


FIG. 2

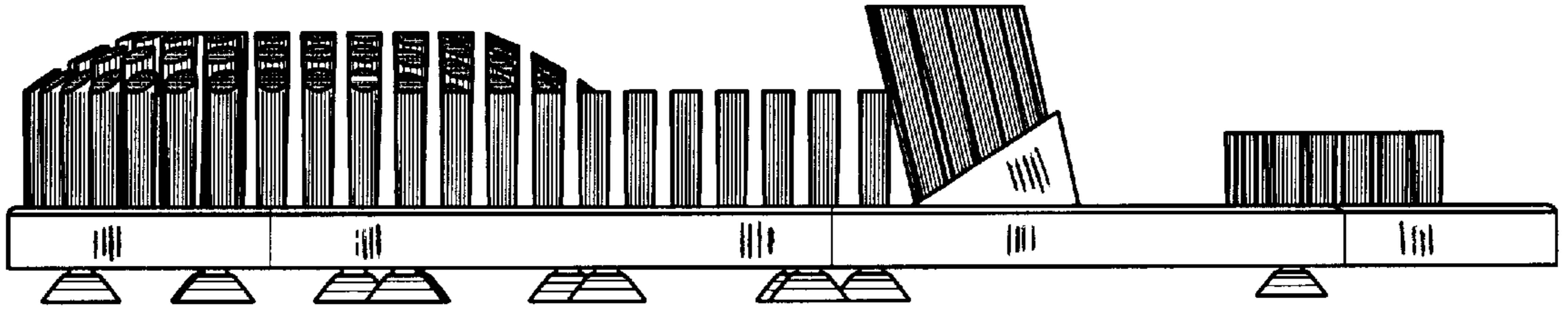


FIG. 3

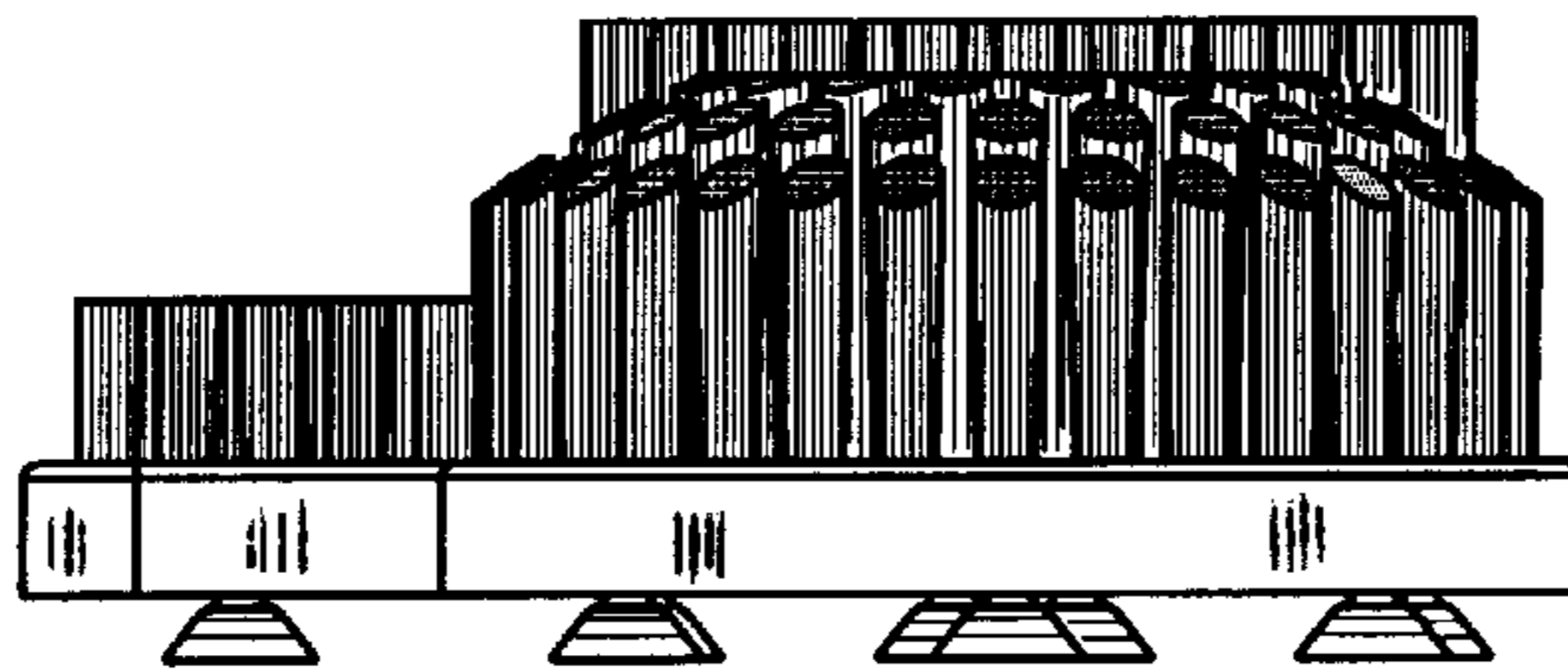


FIG. 4

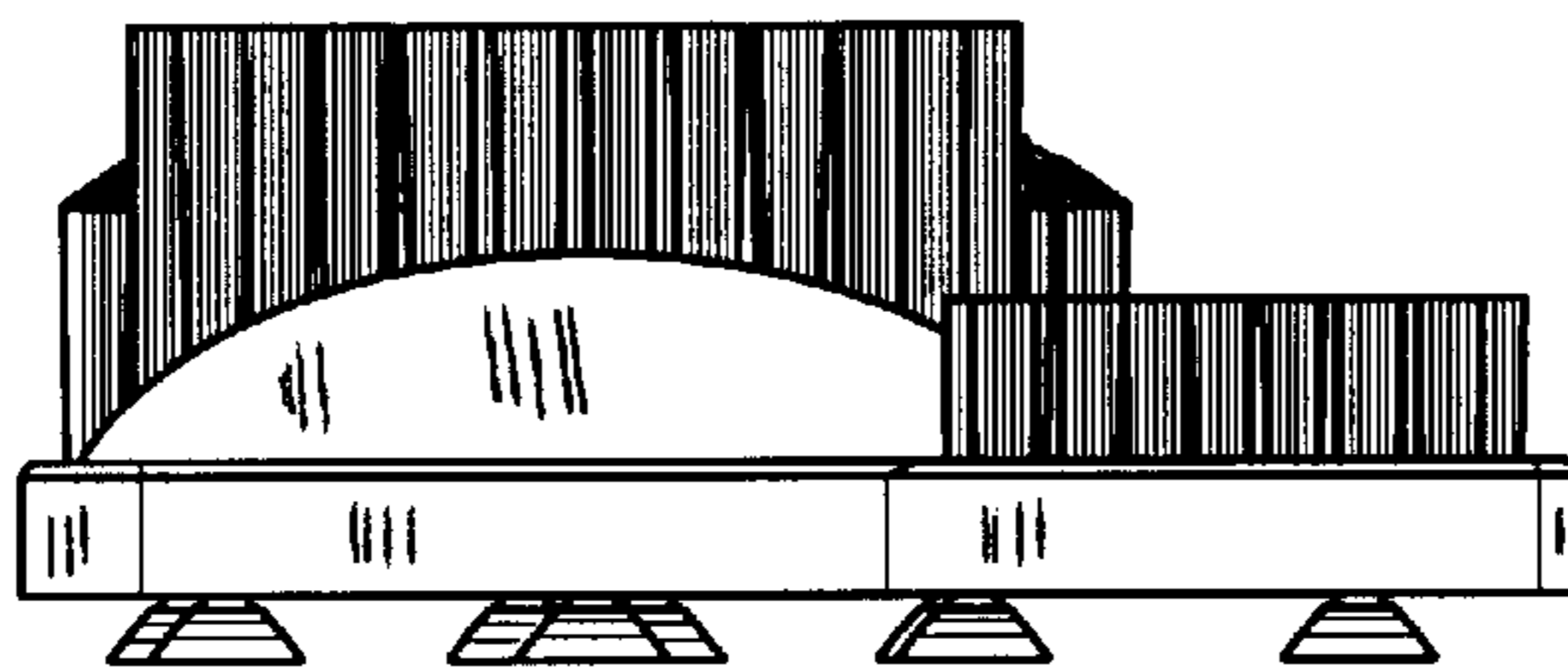


FIG. 5

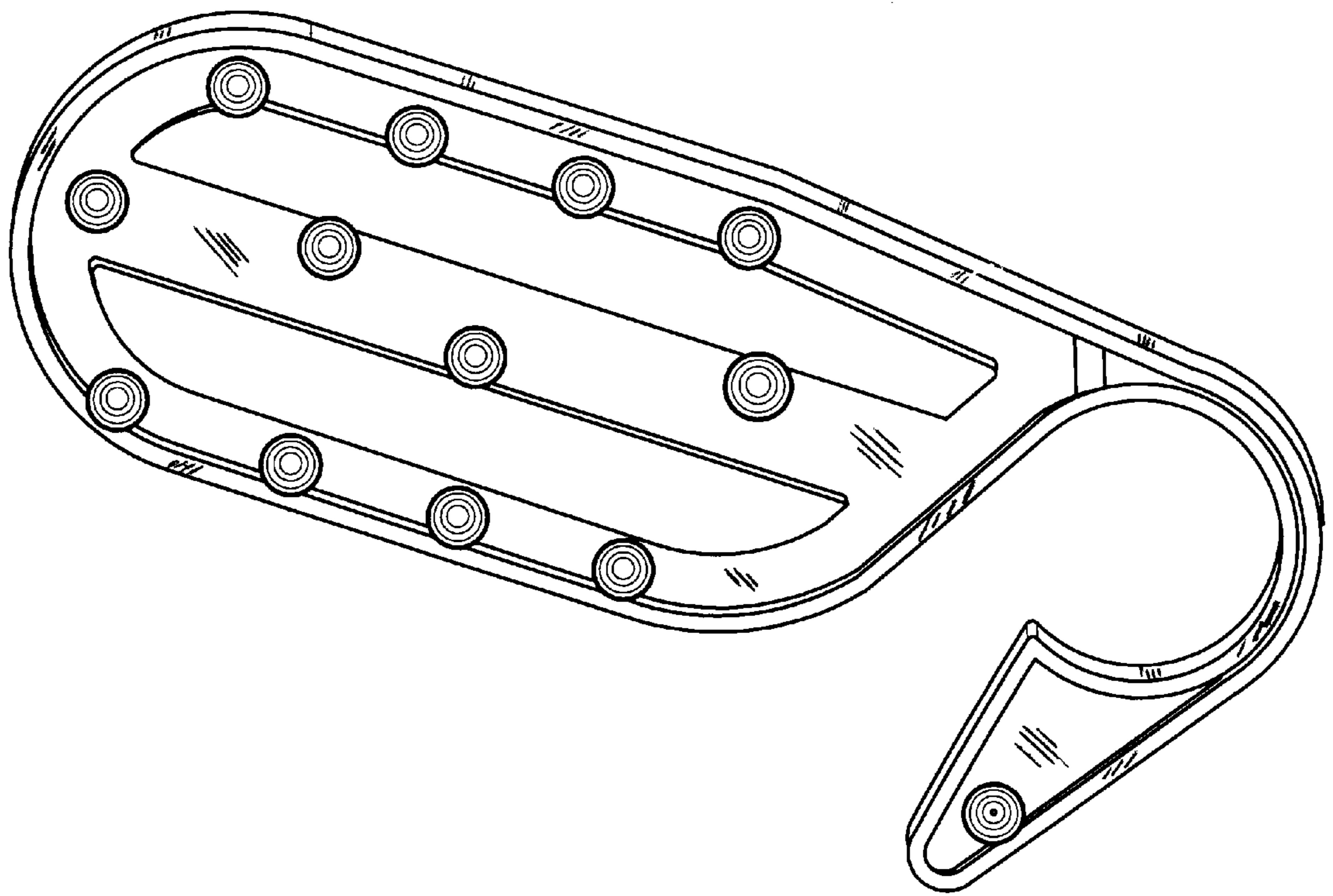


FIG. 6