



US00D425702S

United States Patent [19]

[11] Patent Number: Des. 425,702

Baich

[45] Date of Patent: ** May 30, 2000

[54] **SMALL TOY STORAGE TOTE WITH INTEGRATED TOY SIZE TESTER**

[76] Inventor: **Denise M. Baich**, 1908 Wolfcreek Pass Ct., Wildwood, Mo. 63011

[**] Term: **14 Years**

[21] Appl. No.: **29/082,116**

[22] Filed: **Jan. 15, 1998**

[51] **LOC (7) Cl.** **03-01**

[52] **U.S. Cl.** **D3/282; D10/64; D21/484**

[58] **Field of Search** D21/483, 484; D10/46, 64; D3/273, 291, 282, 276; D9/414, 432, 424, 418; 446/75, 76

[56] **References Cited**

U.S. PATENT DOCUMENTS

D. 175,653	9/1955	Steiner	D21/483
D. 233,773	11/1974	Breno	D21/483
D. 328,201	7/1992	Ryaa	D3/282
D. 341,388	11/1993	Rocco	D21/483
D. 355,763	2/1995	Sun	D3/276
D. 369,022	4/1996	Sun	D3/276
D. 374,771	10/1996	Guegan et al.	D3/276
D. 398,842	9/1998	Rohrig	D3/282
D. 408,142	4/1999	Song	D3/282
1,346,558	7/1920	Rosenwasser	.	
2,380,871	7/1945	Robinson	.	

2,623,303	12/1952	Mindel	.
3,235,303	2/1966	Smith	.
3,760,511	9/1973	Matsumoto	.
4,195,421	4/1980	Tucker et al.	.
4,627,336	12/1986	Nam	.
4,661,326	4/1987	Schainholz	.
5,139,453	8/1992	Aiken et al.	.
5,263,576	11/1993	Boreen et al.	.
5,643,038	7/1997	Olsen et al.	.
5,674,103	10/1997	Bean	.

Primary Examiner—Raphael Barkai
Attorney, Agent, or Firm—Michael T. Marrah; Grant D. Kang; Gregory E. Upchurch

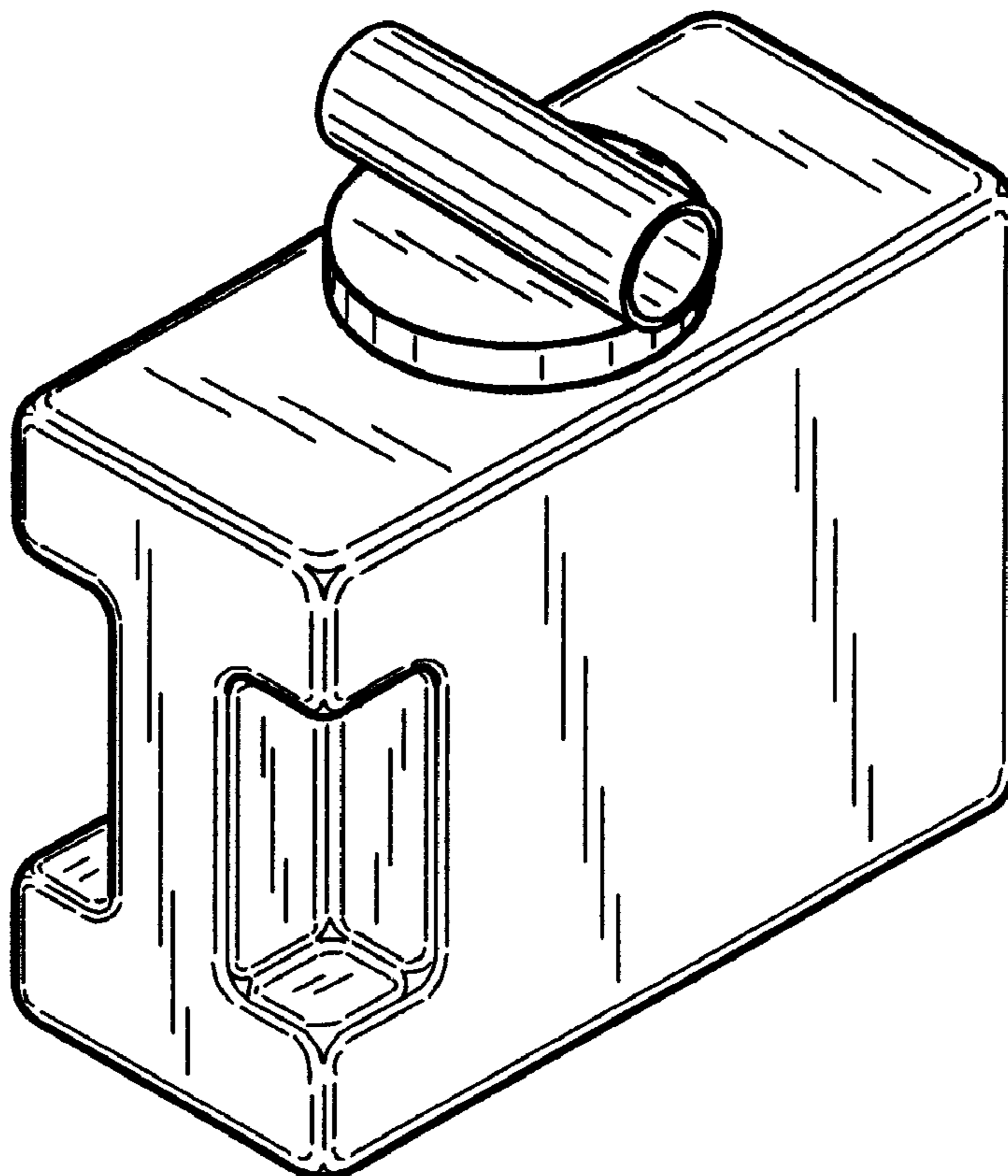
[57] **CLAIM**

I claim the ornamental design for the small toy storage tote with integrated toy size tester, as shown and described.

DESCRIPTION

FIG. 1 is a rear perspective view of a small toy storage tote with integrated toy size tester showing my new design; FIG. 2 is the claimed design from a side view; FIG. 3 is the claimed design from the side opposite that shown in FIG. 2; FIG. 4 is the claimed design from the rear view; FIG. 5 is the claimed design from a front view; FIG. 6 is the claimed design from a top view; and, FIG. 7 is the claimed design from a bottom view.

1 Claim, 1 Drawing Sheet



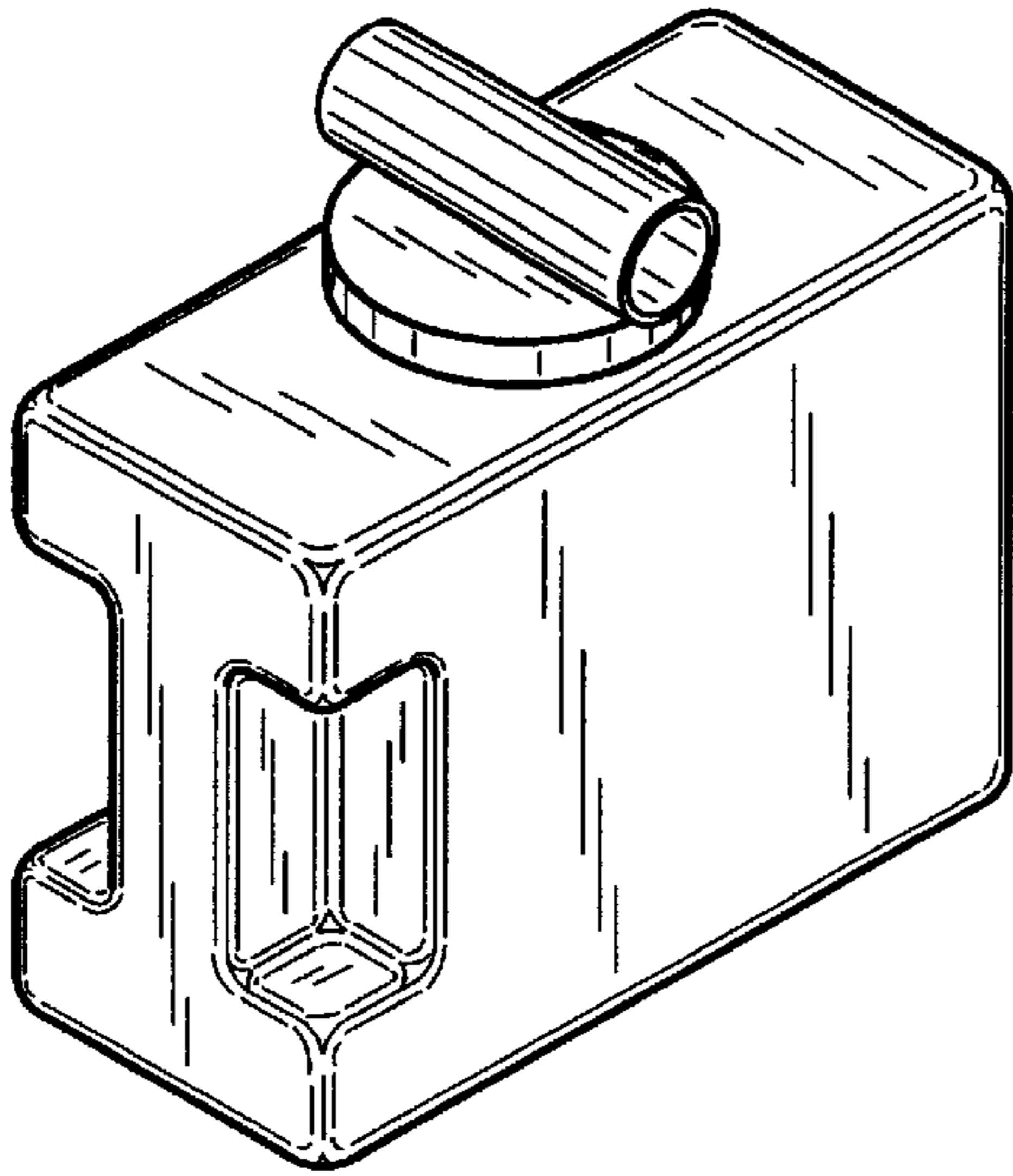


FIG. 1

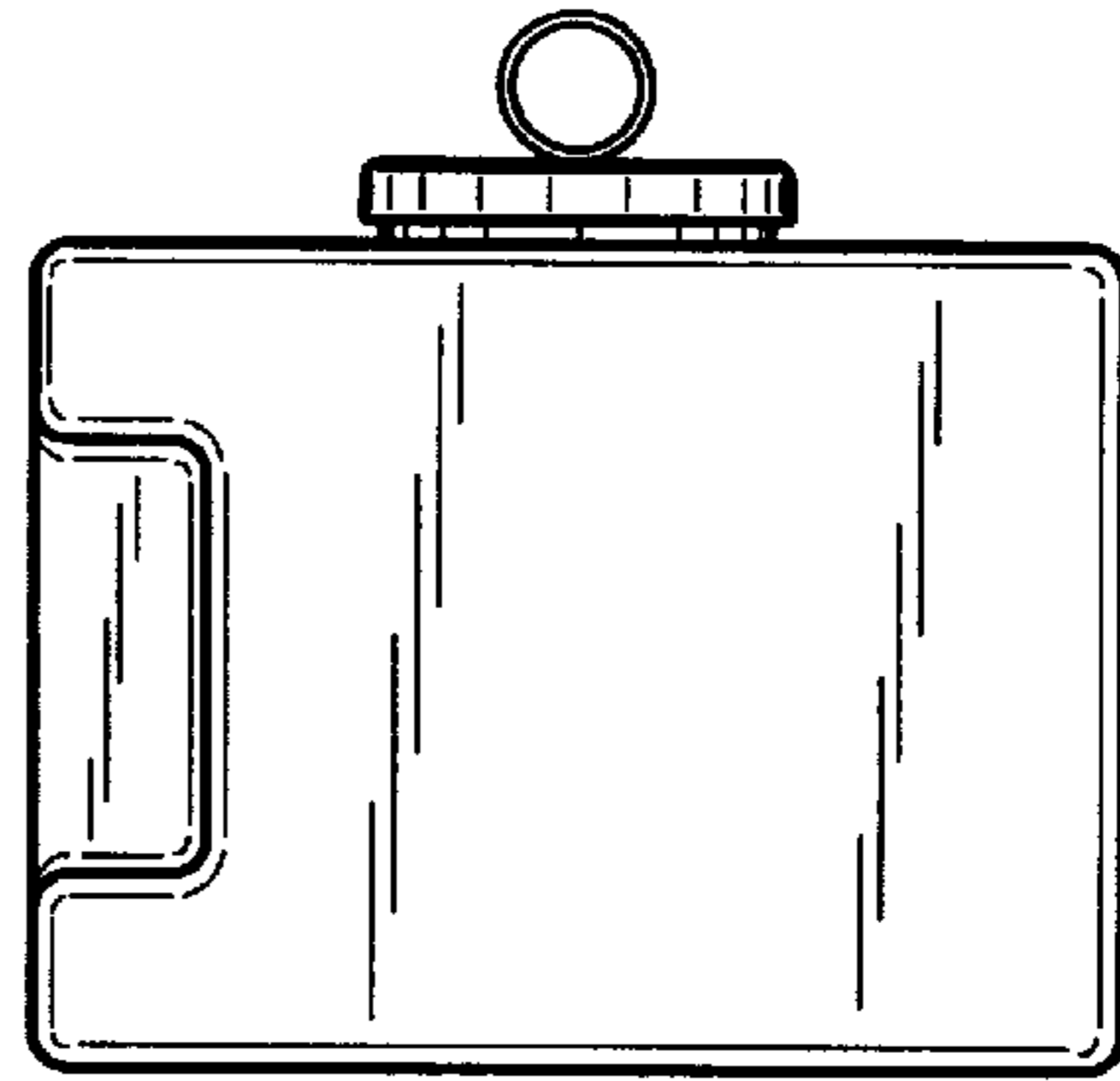


FIG. 2

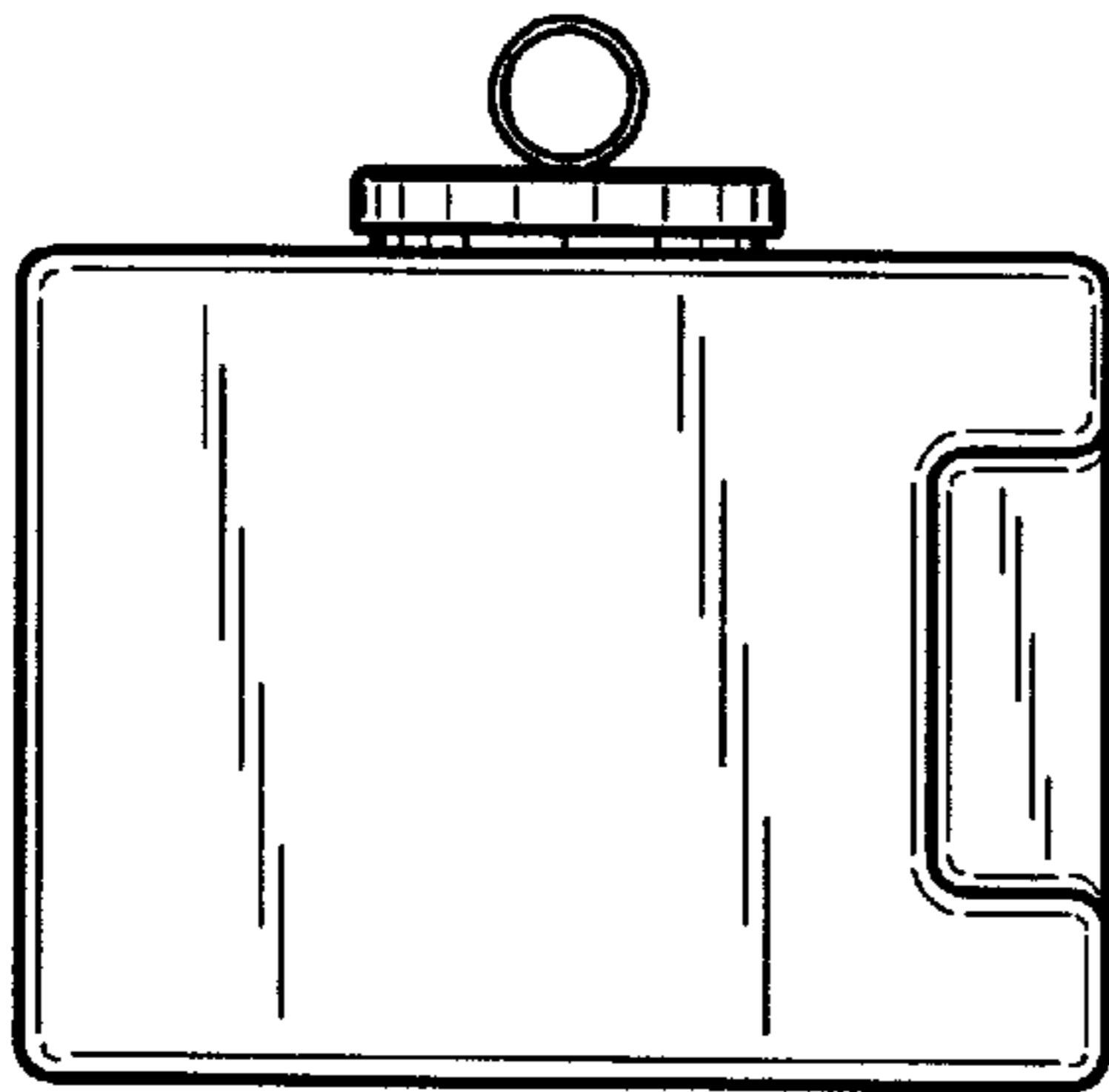


FIG. 3

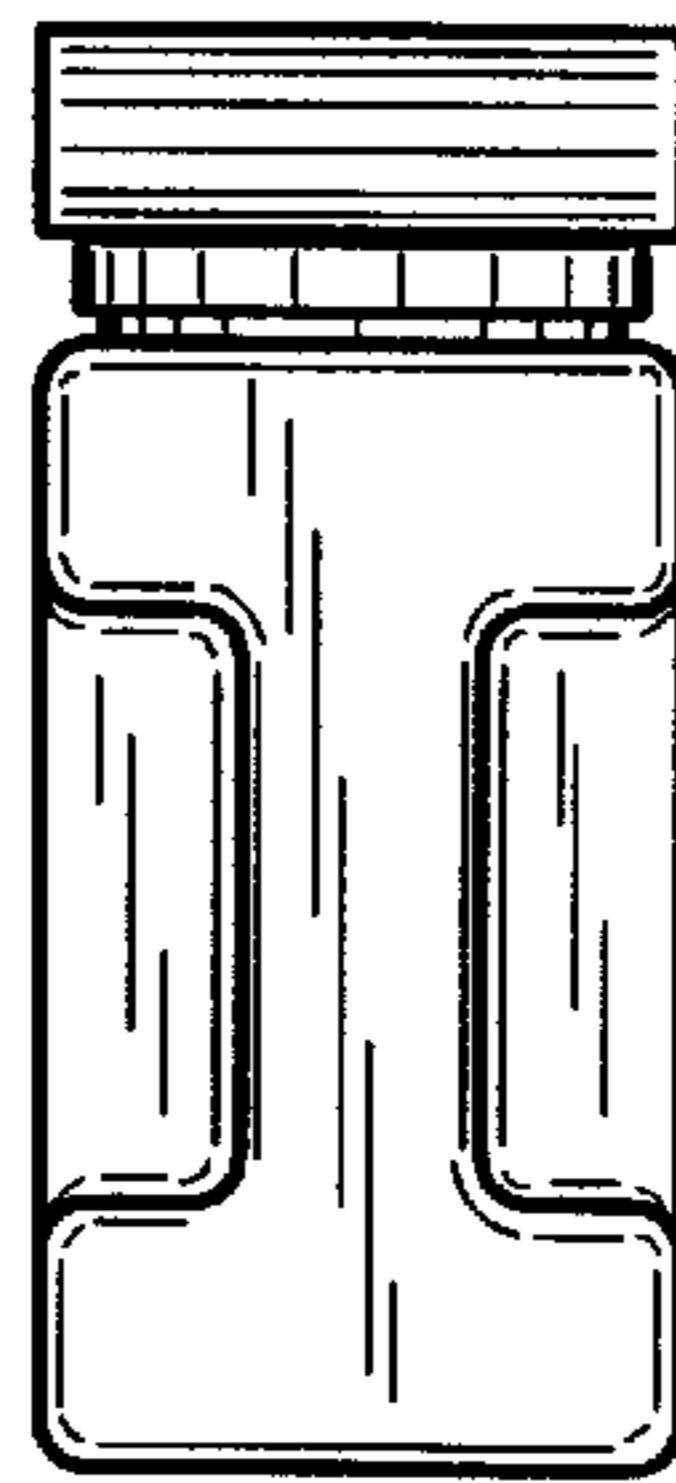


FIG. 4

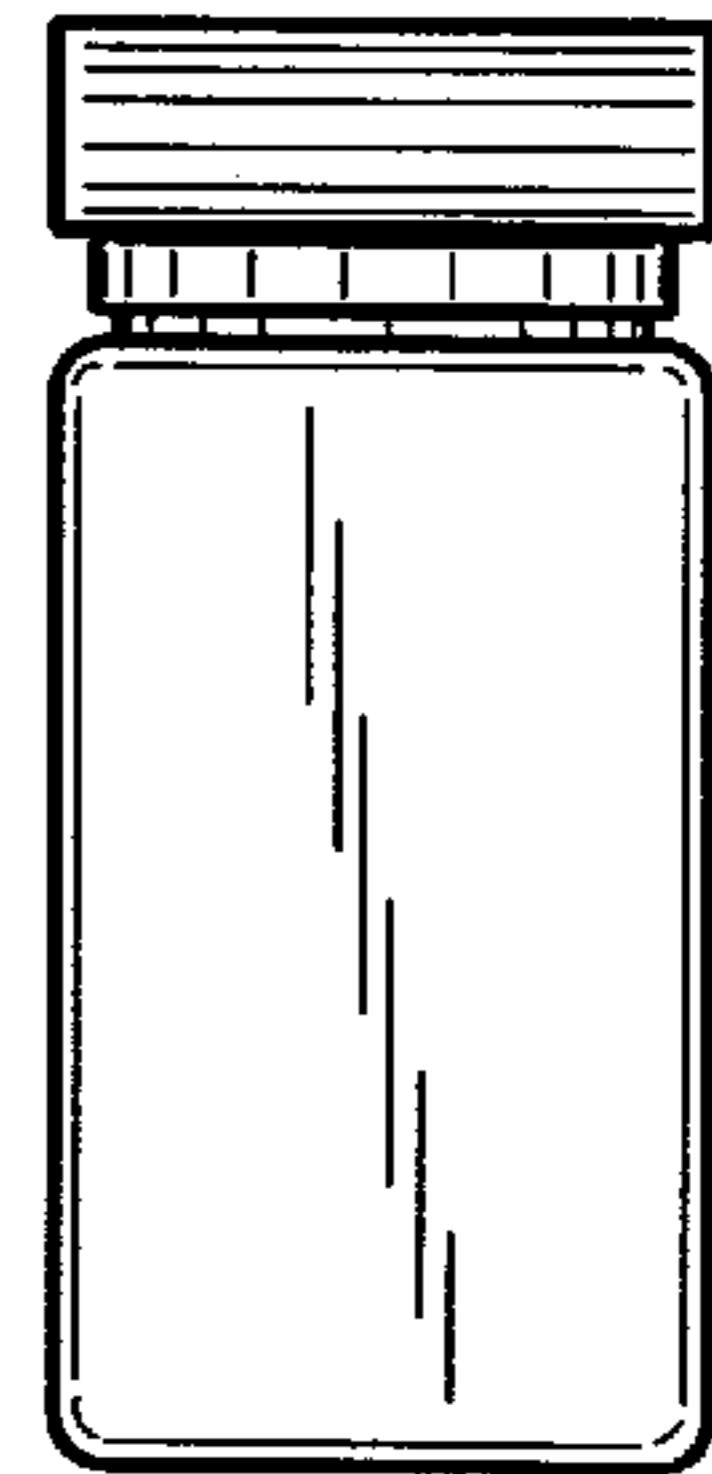


FIG. 5

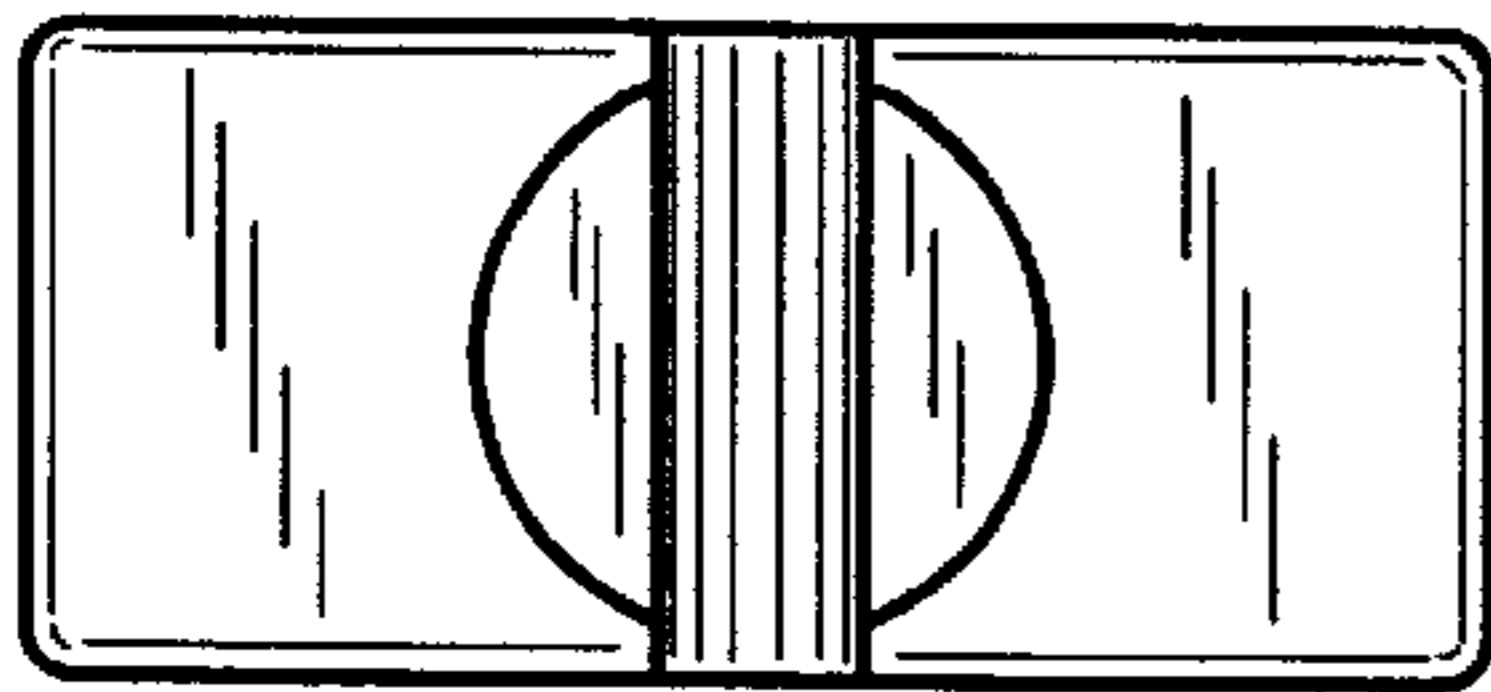


FIG. 6

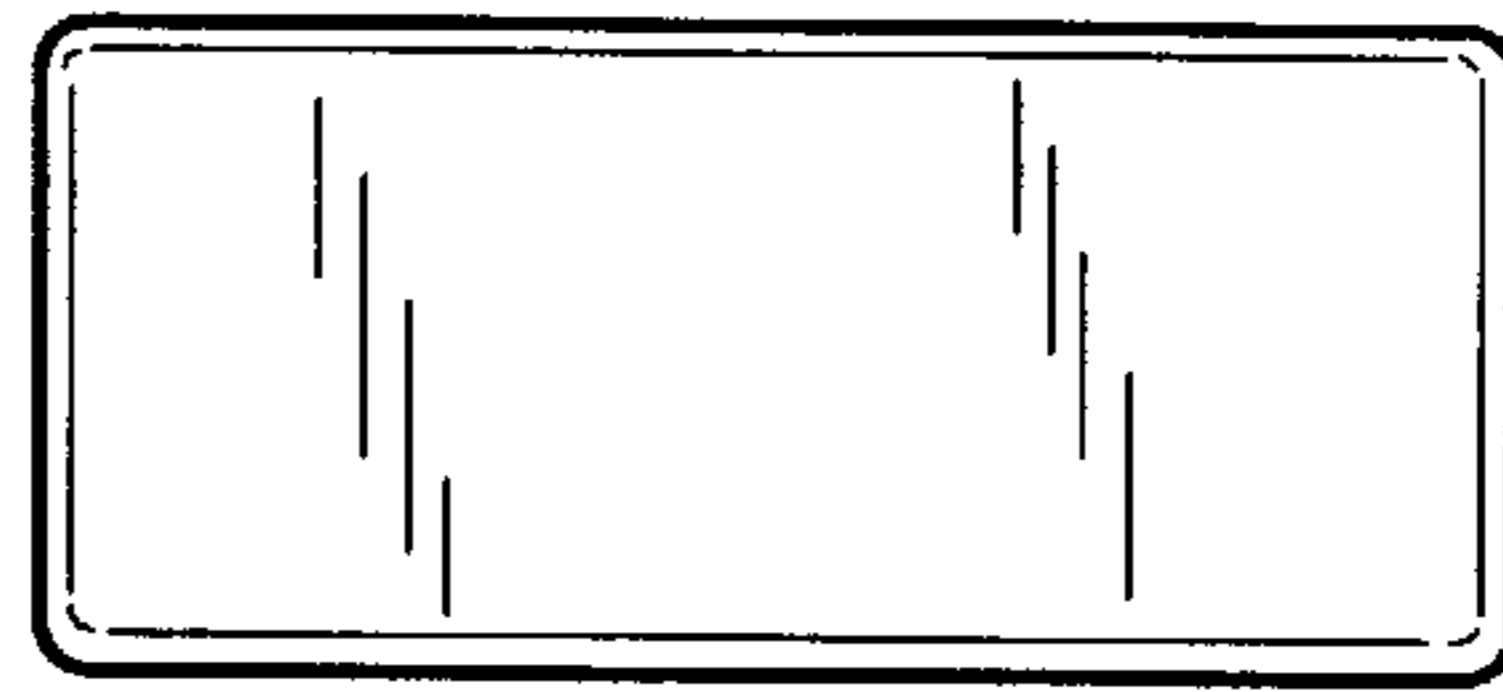


FIG. 7