



US00D425701S

United States Patent [19]

Jones

[11] Patent Number: **Des. 425,701**

[45] Date of Patent: **** May 30, 2000**

[54] WEAPON CASE

[75] Inventor: **Larry K. Jones**, Perry, Fla.

[73] Assignee: **United Welding Services, Inc.**, Perry, Fla.

[**] Term: **14 Years**

[21] Appl. No.: **29/102,309**

[22] Filed: **Mar. 22, 1999**

Related U.S. Application Data

[62] Division of application No. 29/079,693, Nov. 21, 1997, Pat. No. Des. 407,557.

[51] **LOC (7) Cl.** **03-01**

[52] **U.S. Cl.** **D3/276**

[58] **Field of Search** D3/272, 273, 294, D3/281, 276, 291, 905; 206/315.11, 349, 317; 190/110, 111, 112

[56] References Cited

U.S. PATENT DOCUMENTS

- D. 264,396 5/1982 Harvey et al. D3/294
- D. 295,735 5/1988 Fox D3/272

- D. 318,371 7/1991 Leverette D3/905
- D. 321,985 12/1991 Ward D3/905
- D. 331,836 12/1992 Newby D3/905
- D. 333,727 3/1993 Shurman D3/294
- D. 347,114 5/1994 Tengvall D3/905
- D. 357,117 4/1995 Huang D3/276
- 5,662,220 9/1997 Schurman 206/317
- 5,669,495 9/1997 West 206/317

Primary Examiner—Philip S. Hyder
Attorney, Agent, or Firm—Arthur G. Yeager

[57] CLAIM

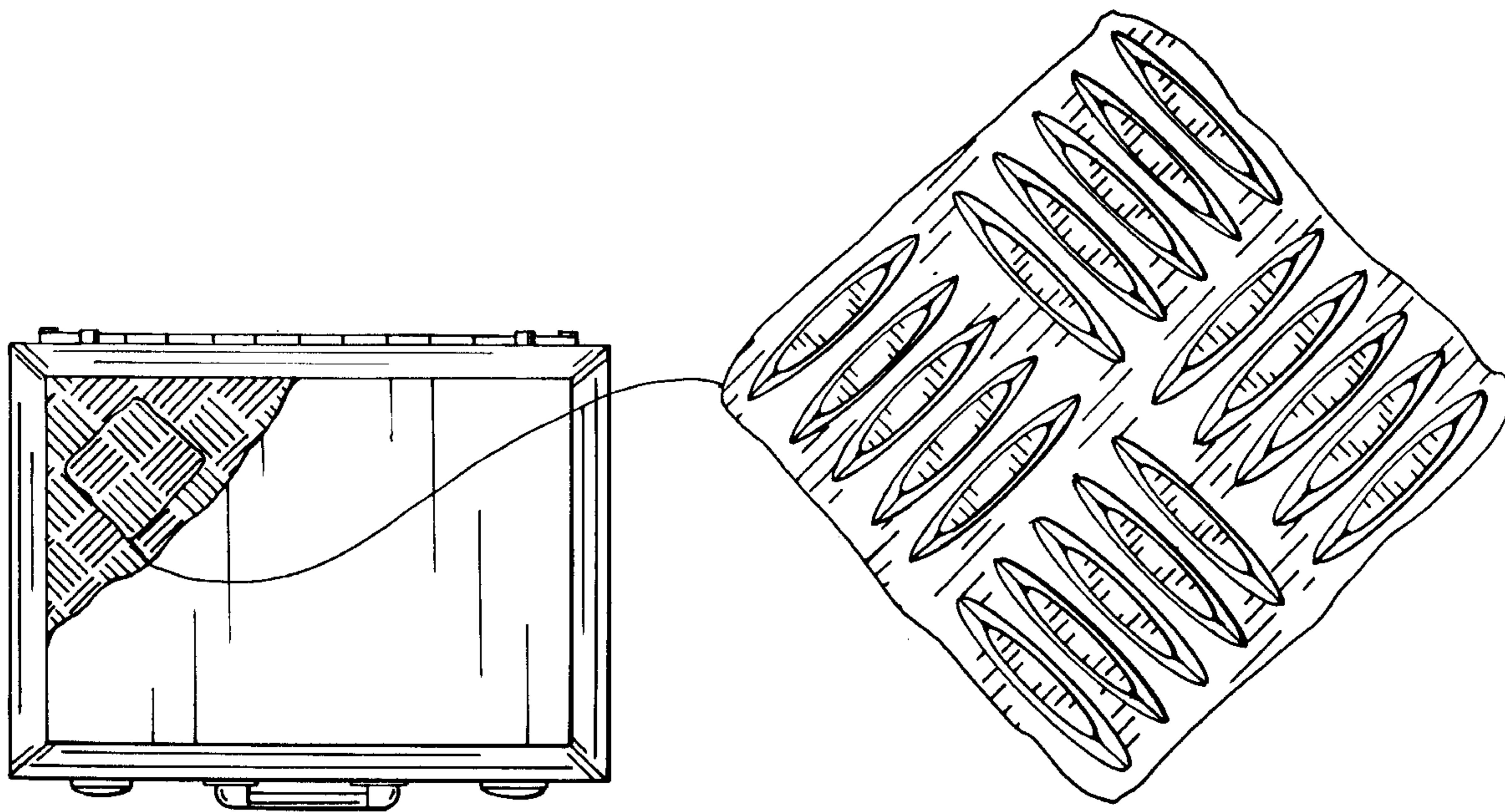
The ornamental design for a weapon case, as shown and described.

DESCRIPTION

FIG. 1 is a rear elevational view of a weapon case showing my new design;
FIG. 2 is a right side elevational view thereof;
FIG. 3 is a bottom plan view thereof;
FIG. 4 is a front elevational view thereof;
FIG. 5 is a left side elevational view thereof; and,
FIG. 6 is an isometric view thereof.

The weapon case includes a D-ring seal on one portion and a flat seal on the other portion.

1 Claim, 4 Drawing Sheets



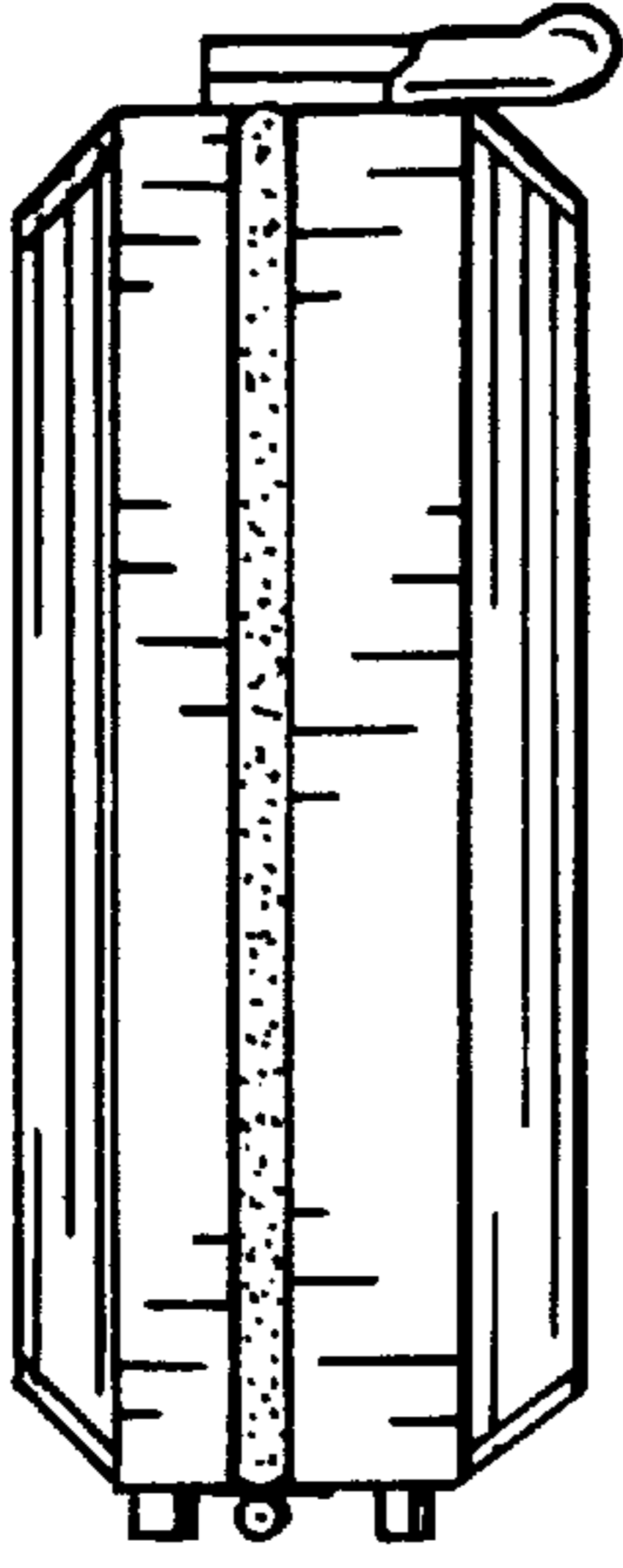


FIG. 2

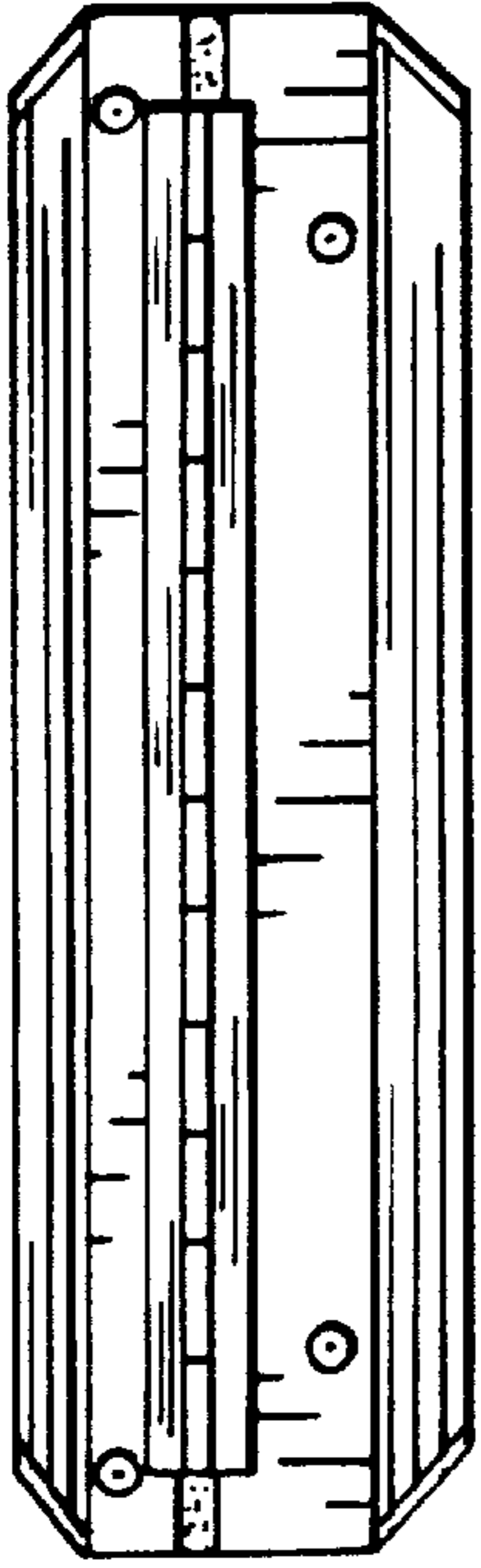


FIG. 1

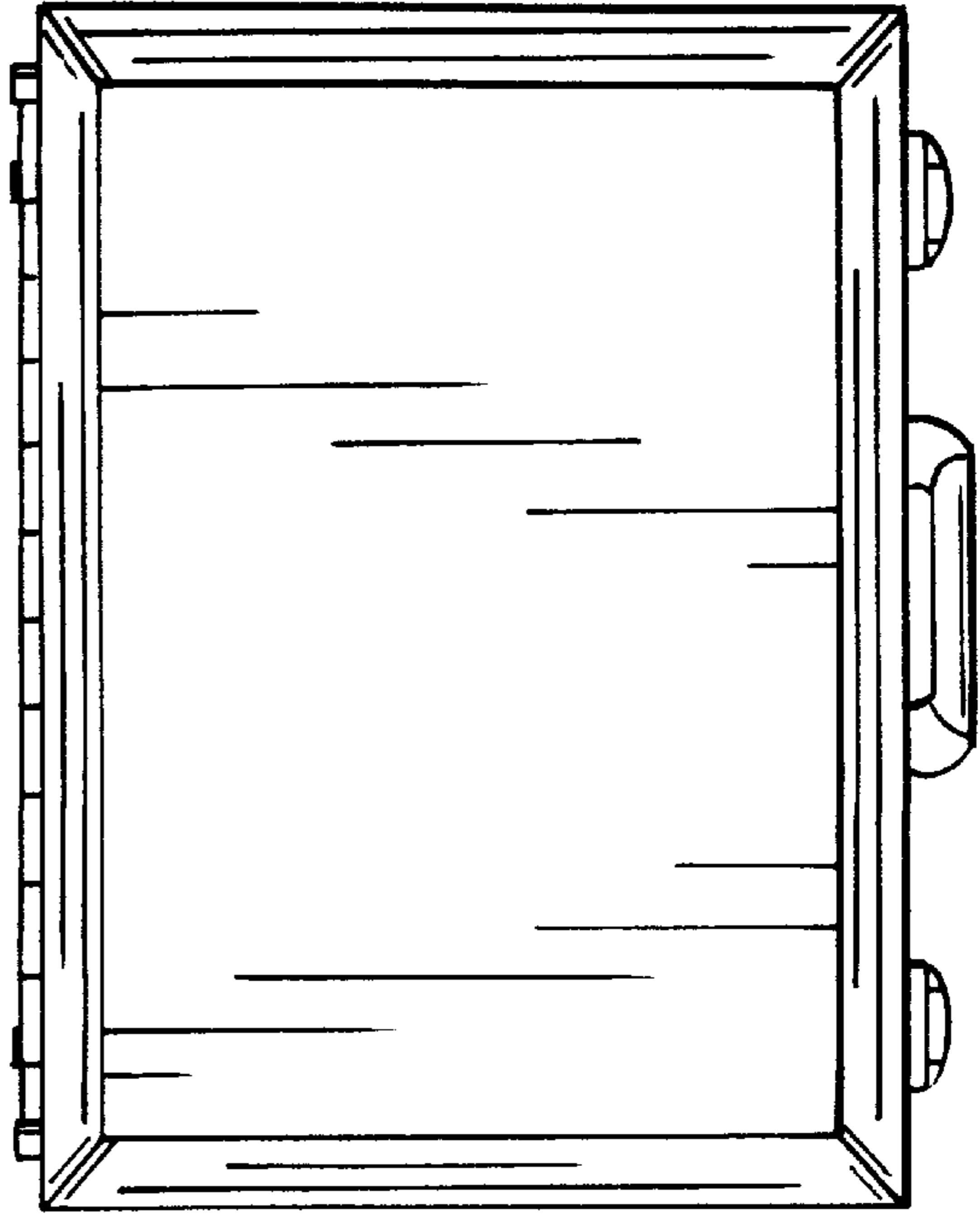


FIG. 3

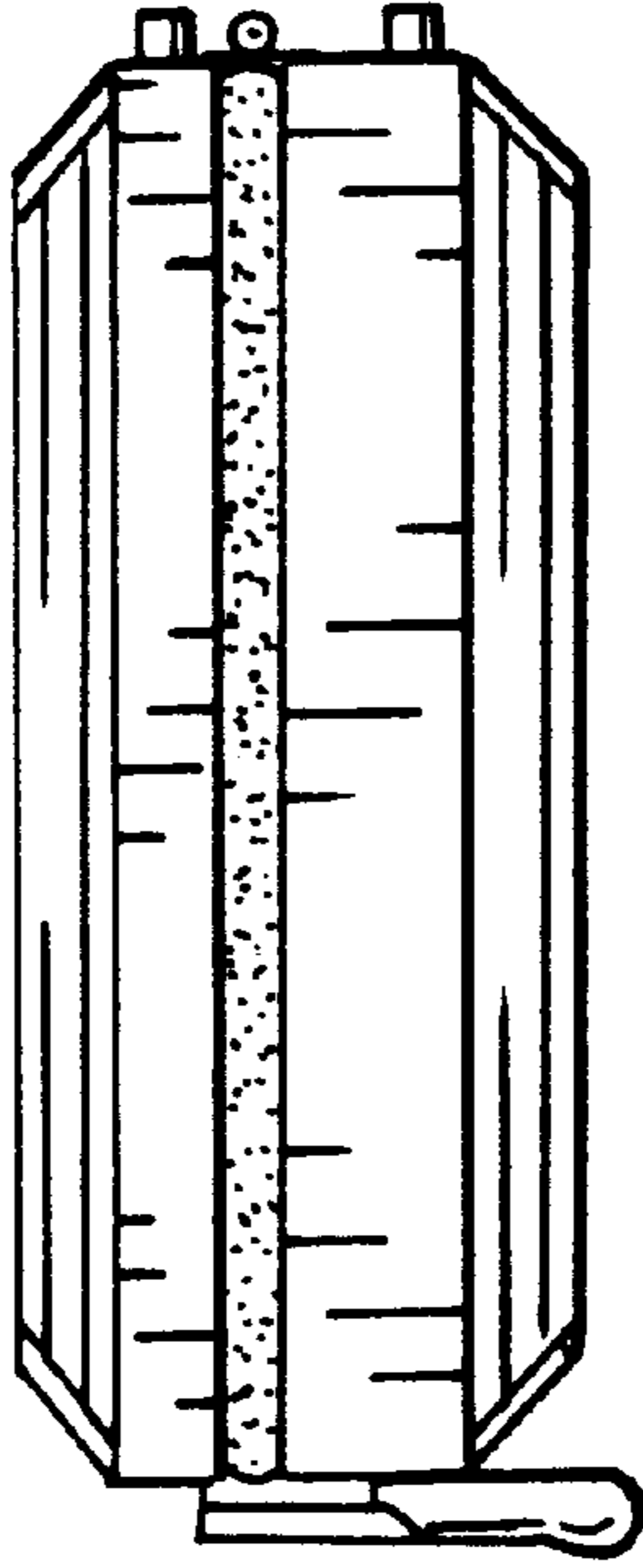


FIG. 5

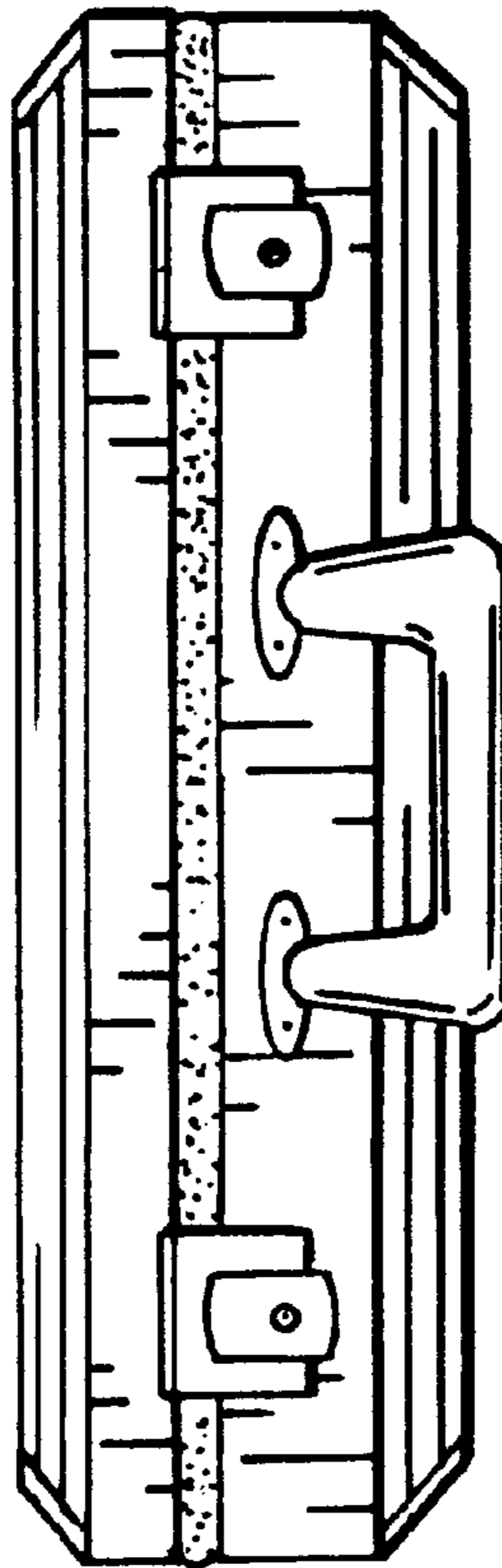


FIG. 4

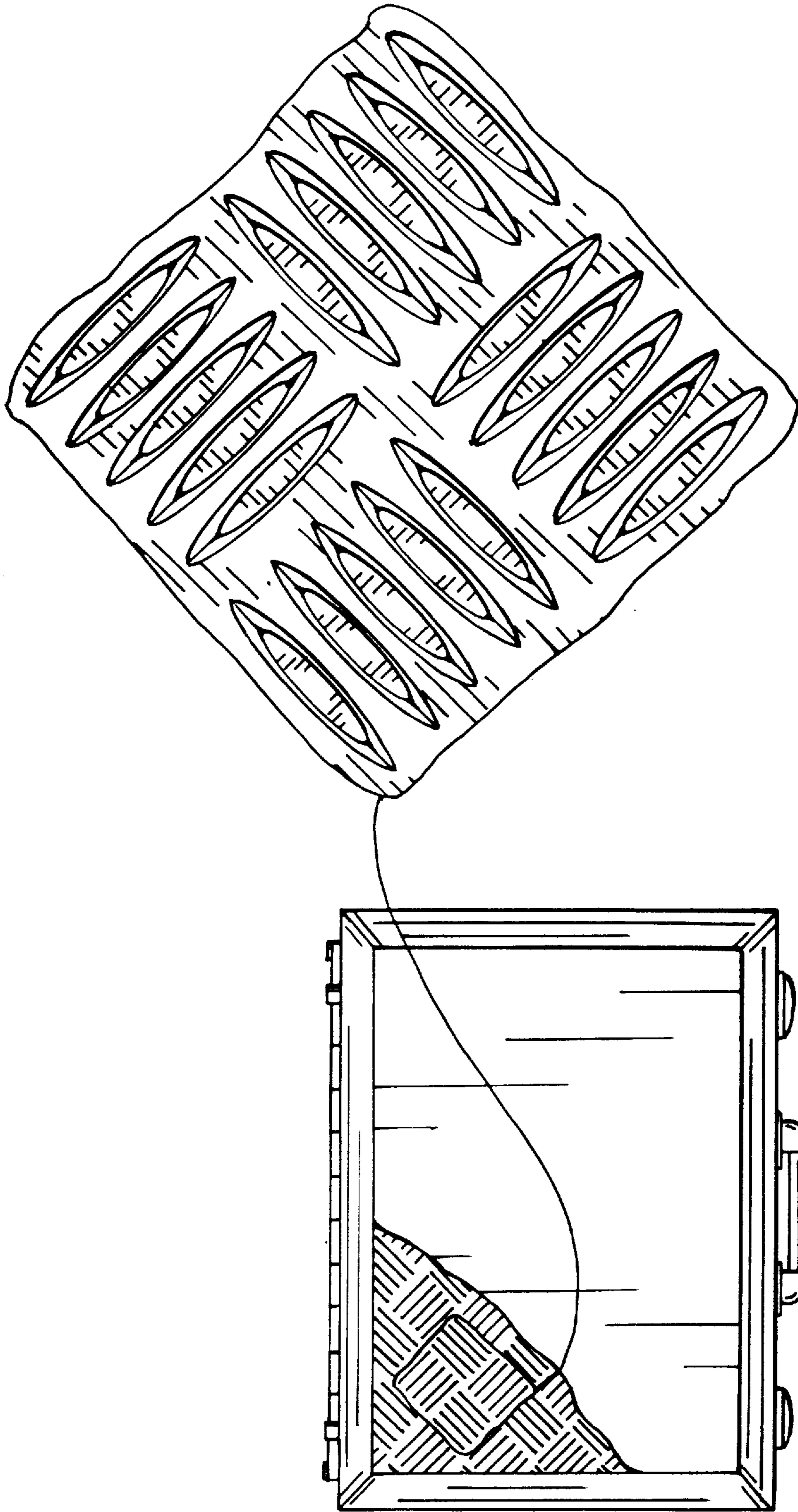


FIG. 6

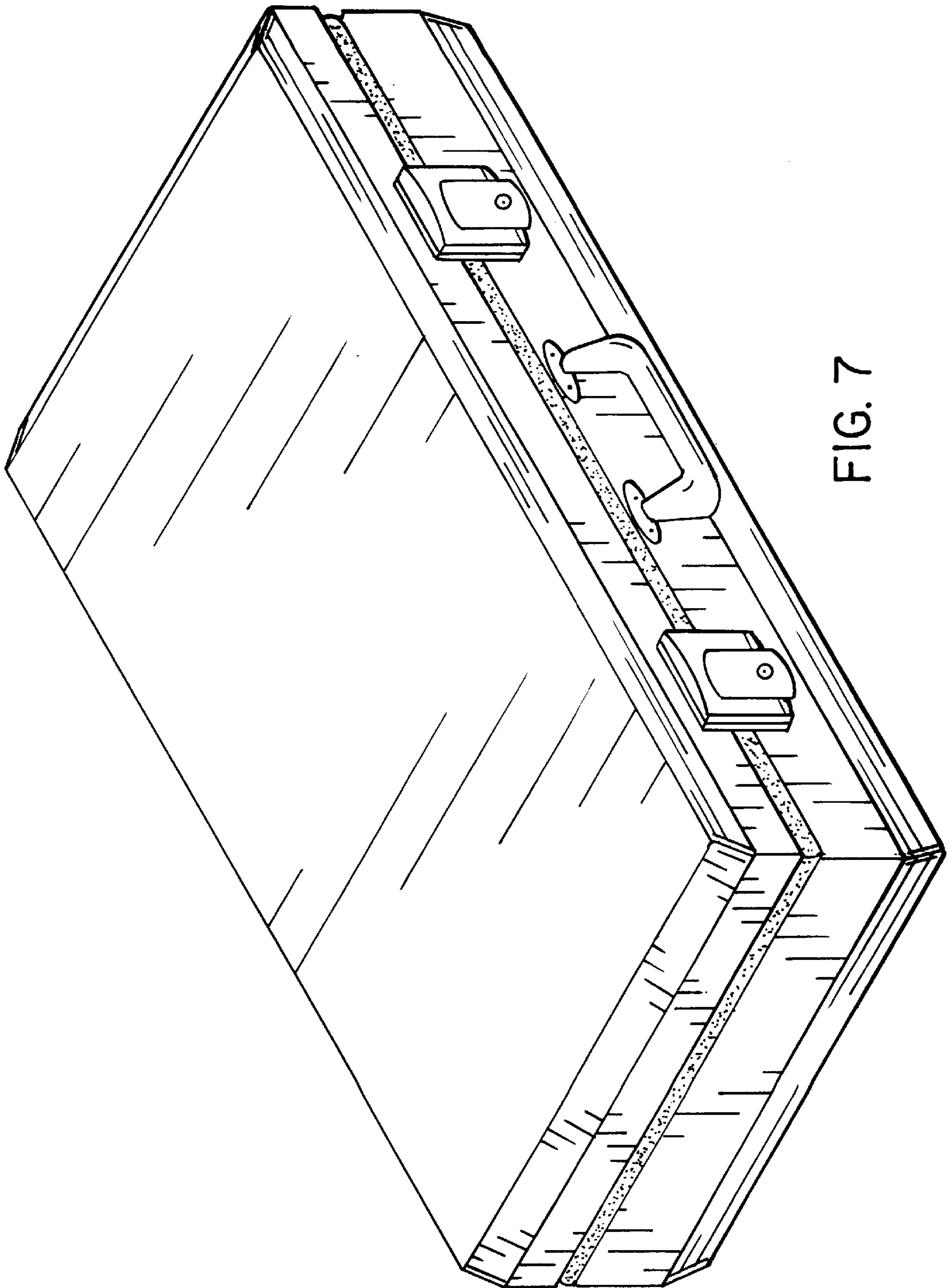


FIG. 7