



US00D425699S

United States Patent [19]

[11] Patent Number: Des. 425,699

Lau

[45] Date of Patent: ** *May 30, 2000

[54] BELT-MOUNTABLE WALLET

[76] Inventor: Bert Lau, 2568 Piccadilly Cir.,
Thousand Oaks, Calif. 91362

[*] Notice: This patent is subject to a terminal disclaimer.

[**] Term: 14 Years

[21] Appl. No.: 29/103,833

[22] Filed: Apr. 23, 1999

[51] LOC (7) Cl. 03-01

[52] U.S. Cl. D3/226

[58] Field of Search D3/226, 224, 232,
D3/233, 243, 265; 224/240, 245, 901, 904,
674; 150/112, 113

- 3,147,896 9/1964 Kehl .
- 3,262,478 7/1966 Amsterdam .
- 3,361,312 1/1968 Hutchison .
- 4,029,243 6/1977 Zerobnick et al. .
- 4,174,793 11/1979 Wisowaty .
- 4,192,365 3/1980 Siegel .
- 4,287,971 9/1981 Doulet .
- 4,356,943 11/1982 Berman .
- 4,784,248 11/1988 Workman .
- 4,878,606 11/1989 Miller .
- 4,893,739 1/1990 Conner .
- 5,090,526 2/1992 Jacober .
- 5,160,001 11/1992 Marceau .
- 5,255,833 10/1993 McAllister .
- 5,503,204 4/1996 Byers et al. .
- 5,857,600 1/1999 Akutsu .

Primary Examiner—Louis S. Zarfaz
Assistant Examiner—Catherine R. Oliver
Attorney, Agent, or Firm—Henricks, Slavin & Holmes LLP

[56] References Cited

U.S. PATENT DOCUMENTS

- D. 263,897 4/1982 Thornton D3/233
- D. 266,202 9/1982 Berman D3/226
- D. 351,945 11/1994 Kopel D3/226 X
- 367,996 8/1887 Nathan .
- D. 393,366 4/1998 Kopel D3/233
- 1,648,565 11/1927 Primley 150/112
- 1,839,758 1/1932 Hasek .
- 2,022,162 11/1935 Speil et al. .
- 2,218,666 10/1940 Tamoschat .
- 2,289,304 7/1942 Goldsmith .
- 2,315,095 3/1943 Rhodes .
- 2,440,138 4/1948 Benenfeld .
- 2,474,495 6/1949 Pollak .
- 2,710,639 6/1955 Farls .

[57] CLAIM

The ornamental design for a belt-mountable wallet, as shown and described.

DESCRIPTION

FIG. 1 is a perspective view of the belt-mountable wallet showing my new design;
FIG. 2 is a front elevation view thereof;
FIG. 3 is a side elevation view thereof;
FIG. 4 is a rear elevation view thereof;
FIG. 5 is a side elevation view thereof;
FIG. 6 is a top view thereof; and,
FIG. 7 is a bottom view thereof.

1 Claim, 4 Drawing Sheets

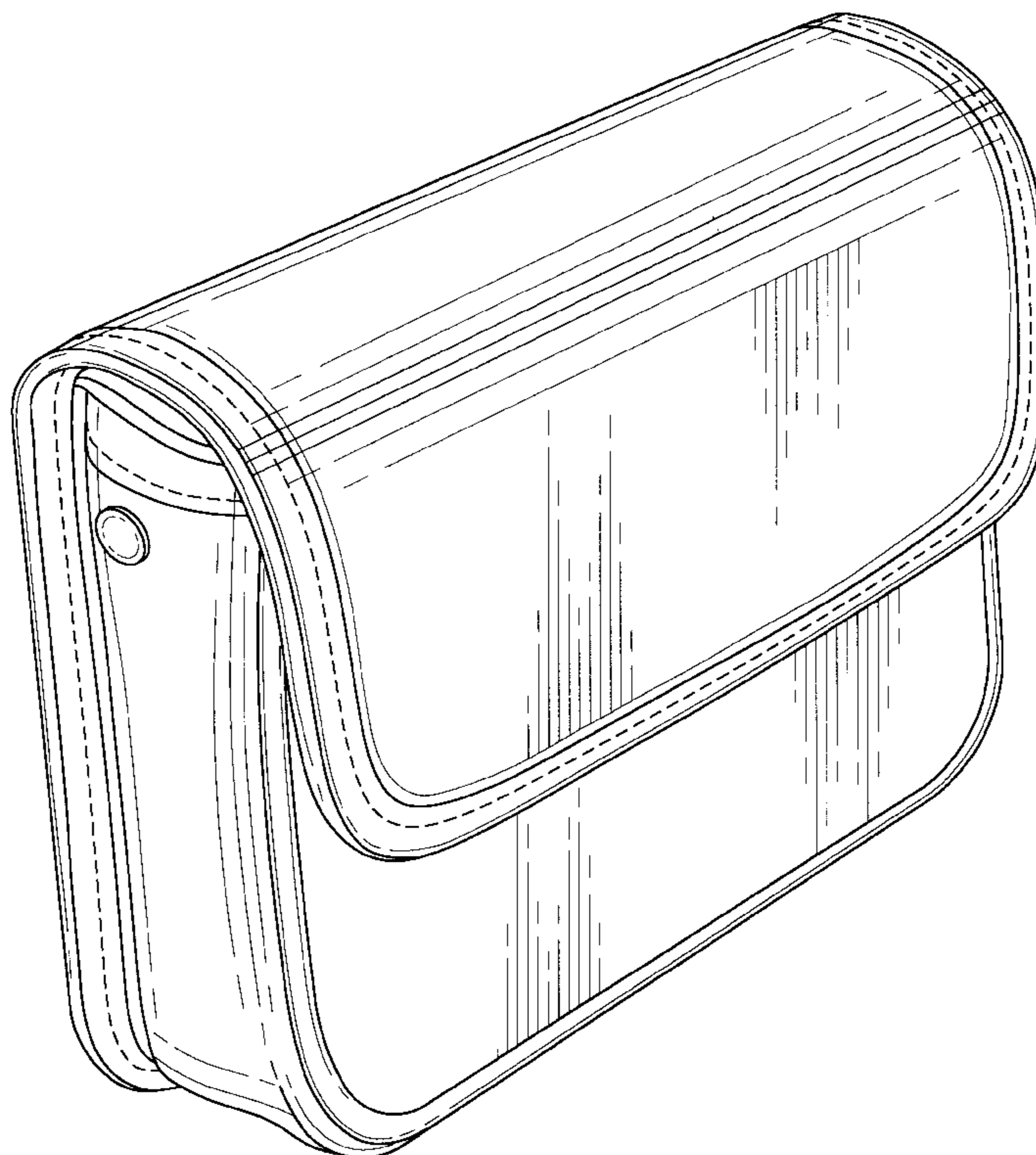


FIG. 1



FIG. 3

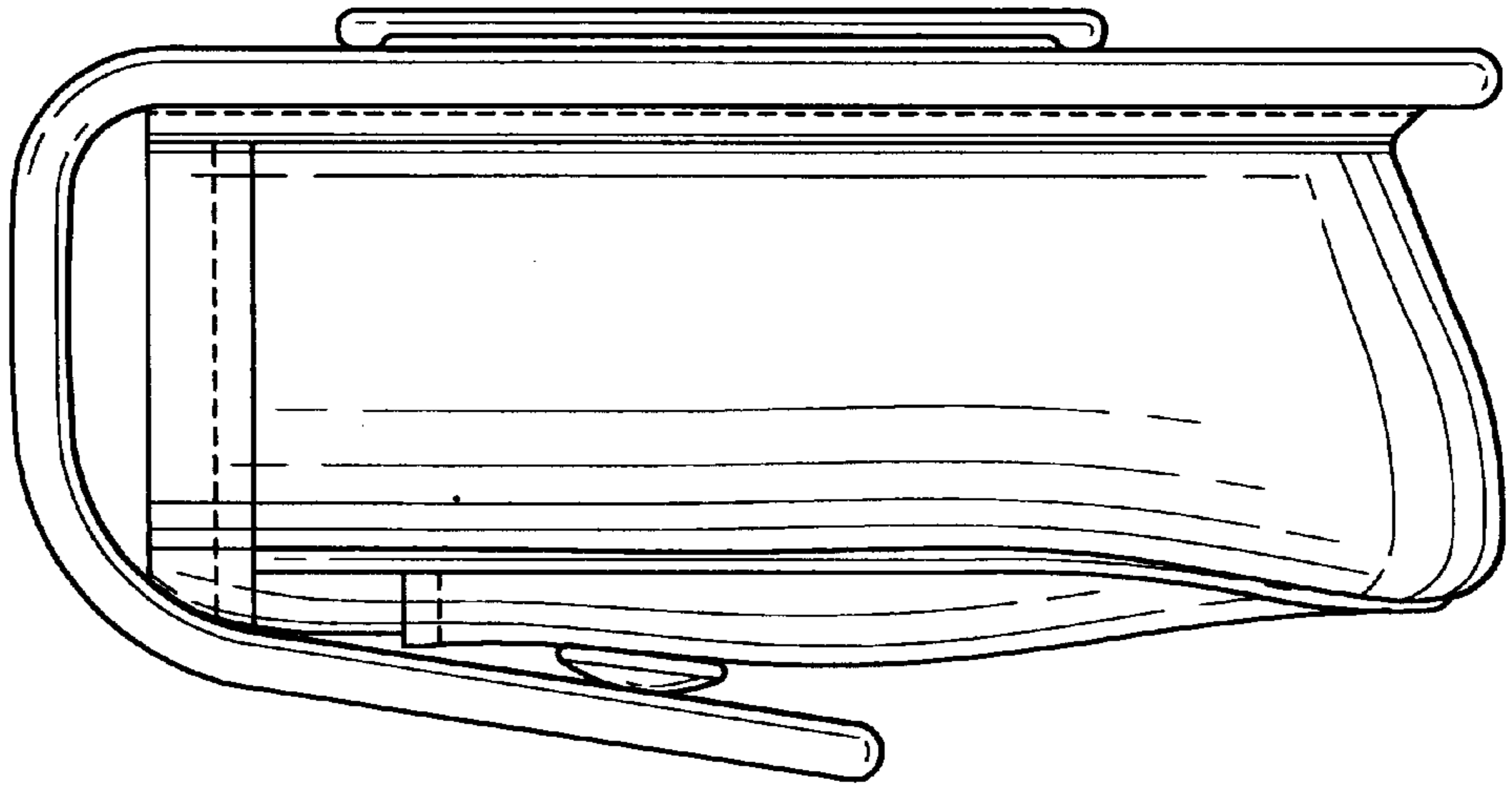


FIG. 2

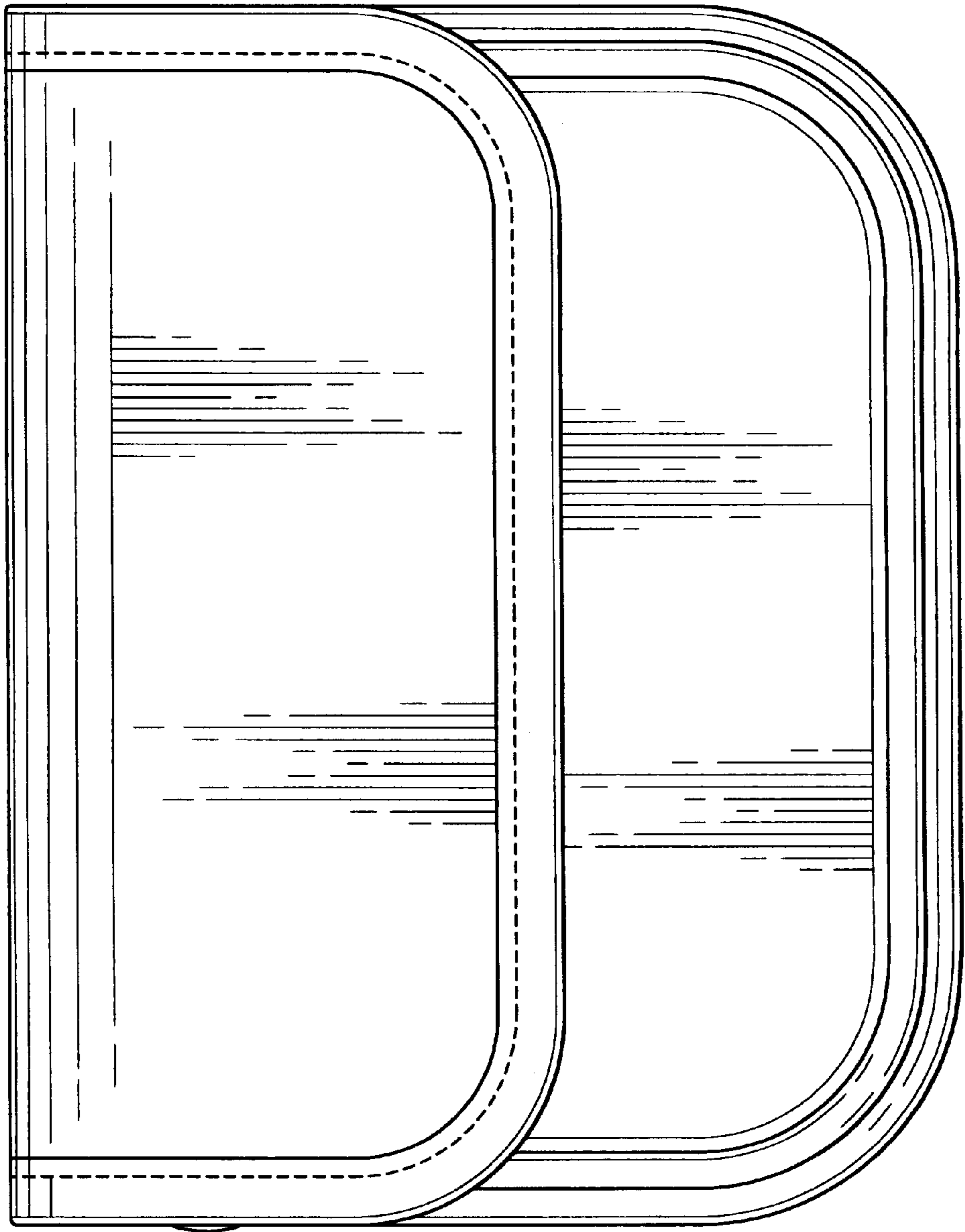


FIG. 5

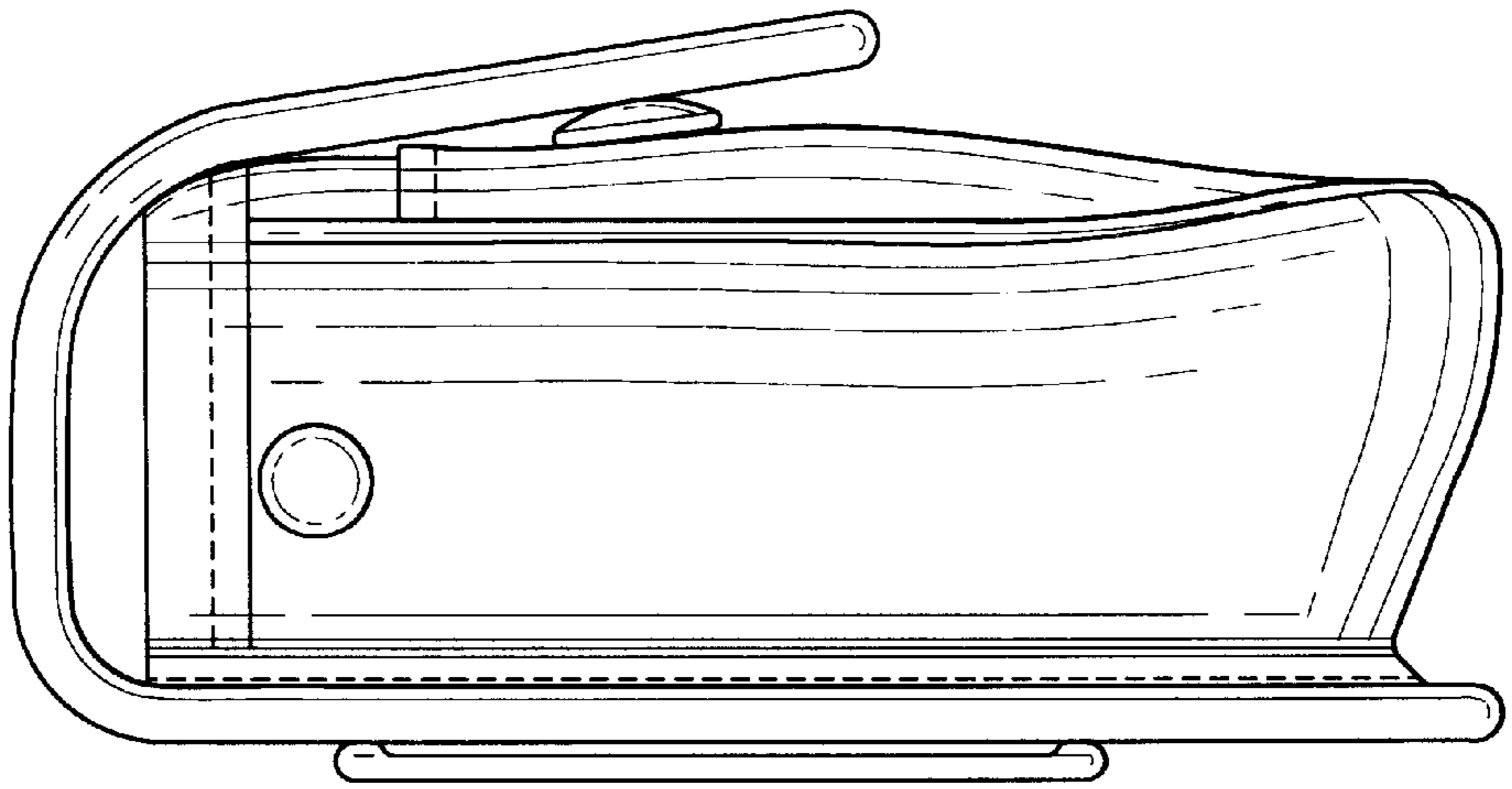


FIG. 4

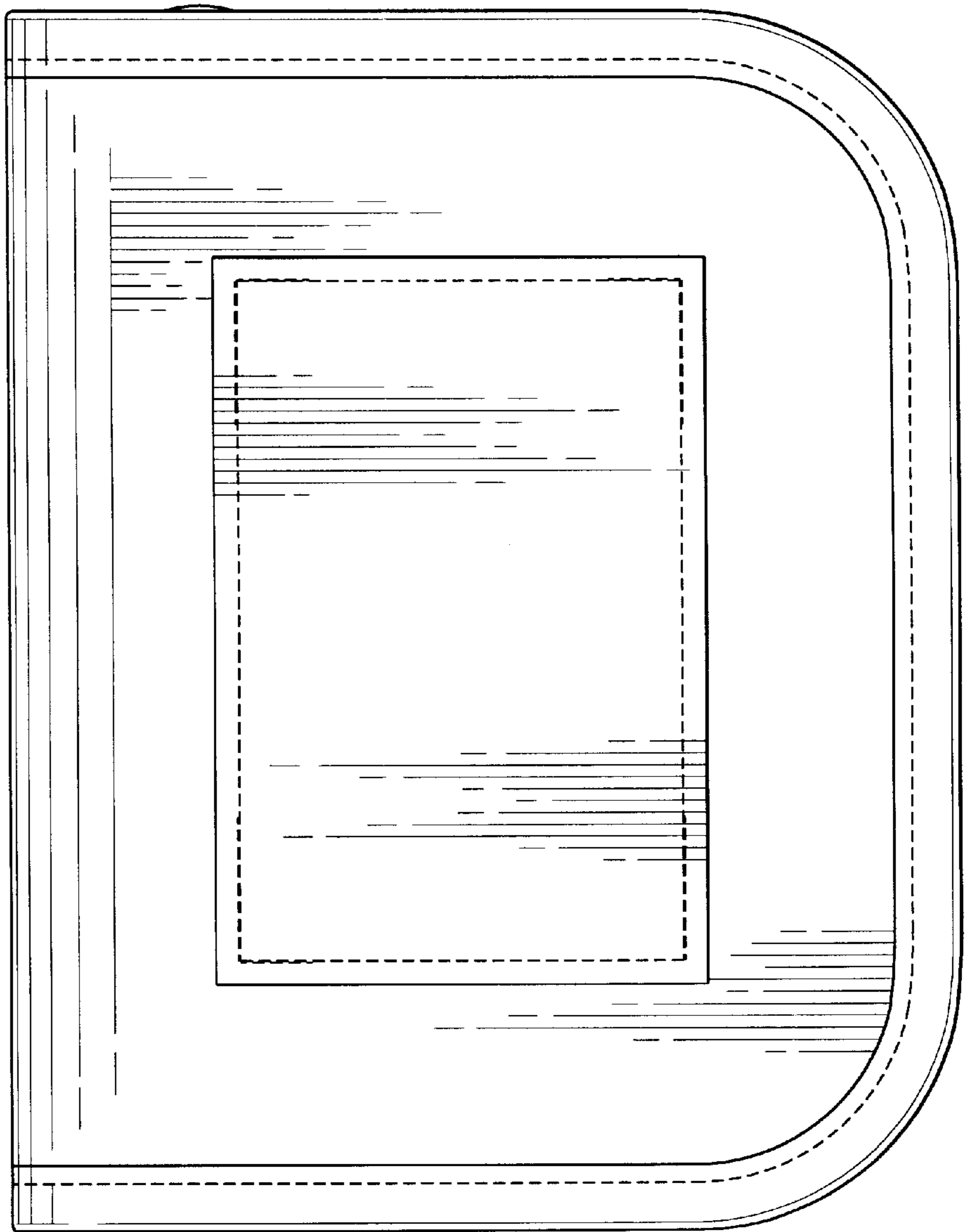


FIG. 6

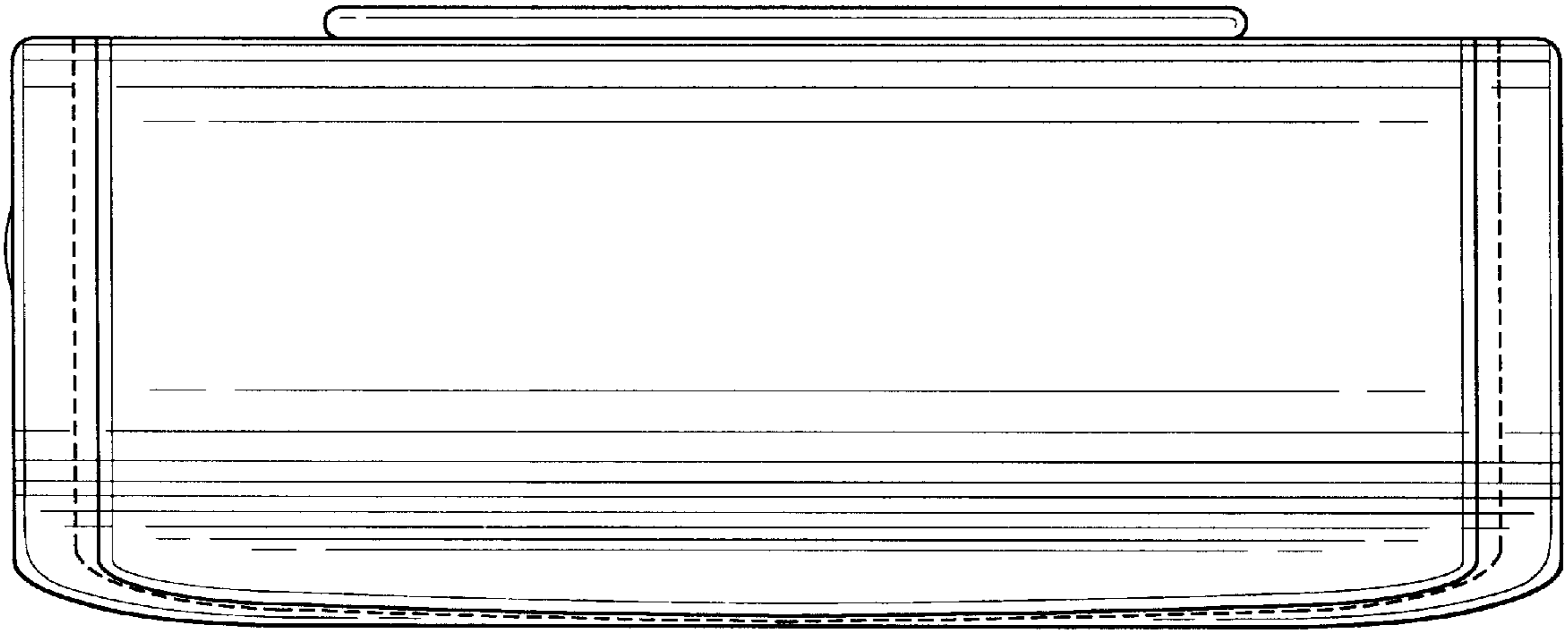


FIG. 7

