



US00D425684S

United States Patent [19] Henry

[11] Patent Number: Des. 425,684

[45] Date of Patent: ** May 23, 2000

[54] COIN DISPENSER

D. 390,331 2/1998 Hilliard, Sr. D99/36
3,767,081 10/1973 Wittern 221/92 X

[76] Inventor: Devin L Henry, 8021 Janes Ave. #A,
Woodridge, Ill. 60517-4394

Primary Examiner—Paula A. Mortimer

[**] Term: 14 Years

[57] CLAIM

[21] Appl. No.: 29/109,673

The ornamental design for a coin dispenser, as shown and described.

[22] Filed: Aug. 19, 1999

DESCRIPTION

[51] LOC (7) Cl. 99-00

[52] U.S. Cl. D99/34

[58] Field of Search D99/28, 34, 35,
D99/36; D20/1, 4, 9; 446/8, 9, 10, 11; 232/7,
9, 10, 44; 221/92, 93; 109/53, 55; 206/0.8,
0.81, 0.815; D6/396, 397, 408

FIG. 1 is a front elevational view of the coin dispenser of the present invention;

FIG. 2 is a rear elevational view of the coin dispenser of FIG. 1;

FIG. 3 is a left side elevational view of the coin dispenser of FIG. 1, the right side elevational view being a mirror image thereof;

FIG. 4 is a top plan view of the coin dispenser of FIG. 1;

FIG. 5 is a bottom plan view of the coin dispenser of FIG. 1; and,

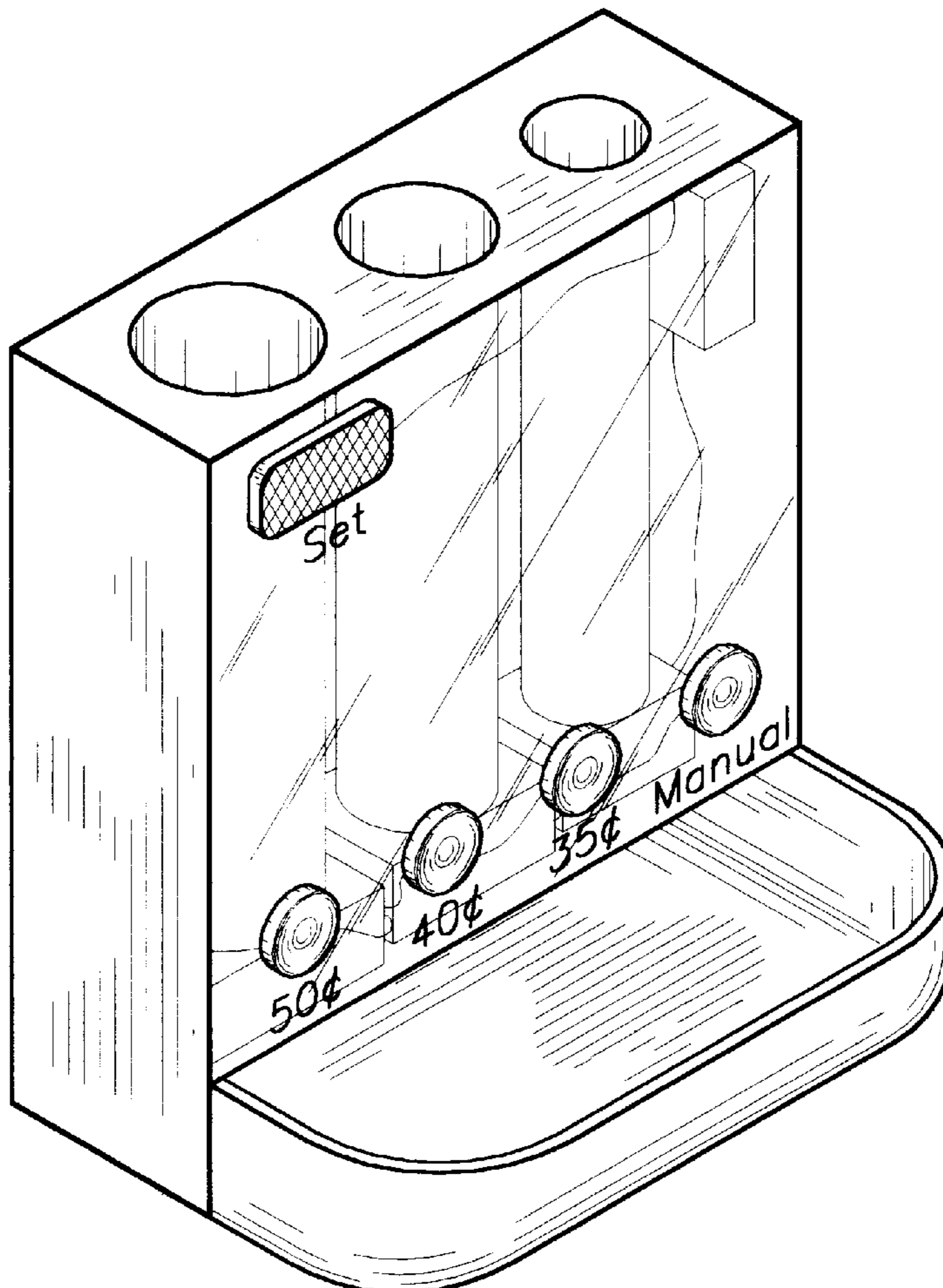
FIG. 6 is a top, front, left side perspective view of the coin dispenser of FIG. 1.

[56] References Cited

U.S. PATENT DOCUMENTS

D. 183,856	11/1958	Moses	D99/34
D. 270,868	10/1983	Spirk, Jr. et al.	D99/35
D. 283,075	3/1986	Spirk, Jr. et al.	D99/34
D. 327,991	7/1992	Oldorf	D6/408
D. 362,685	9/1995	Perkitny	D99/35 X

1 Claim, 3 Drawing Sheets



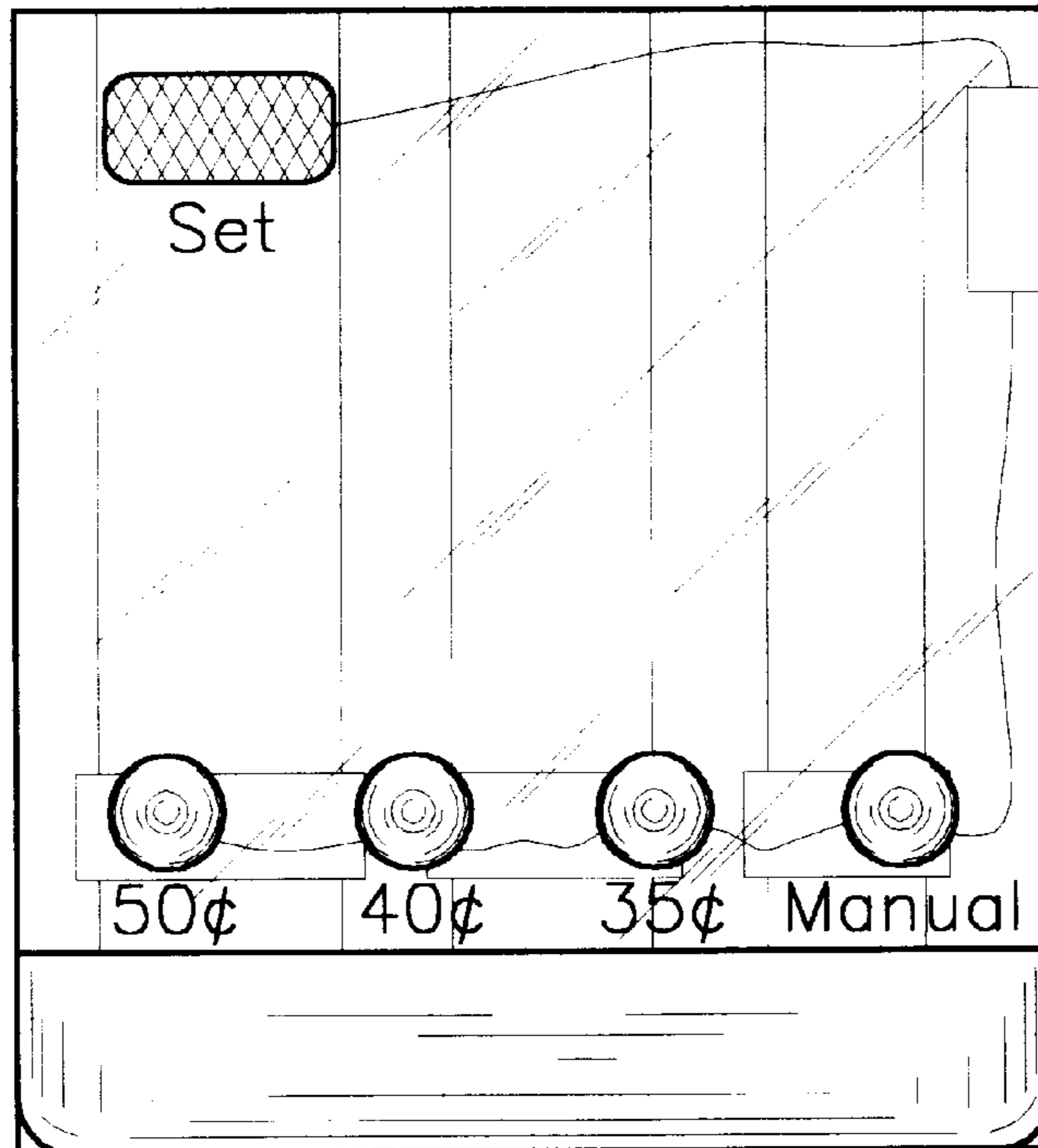


Fig. 1

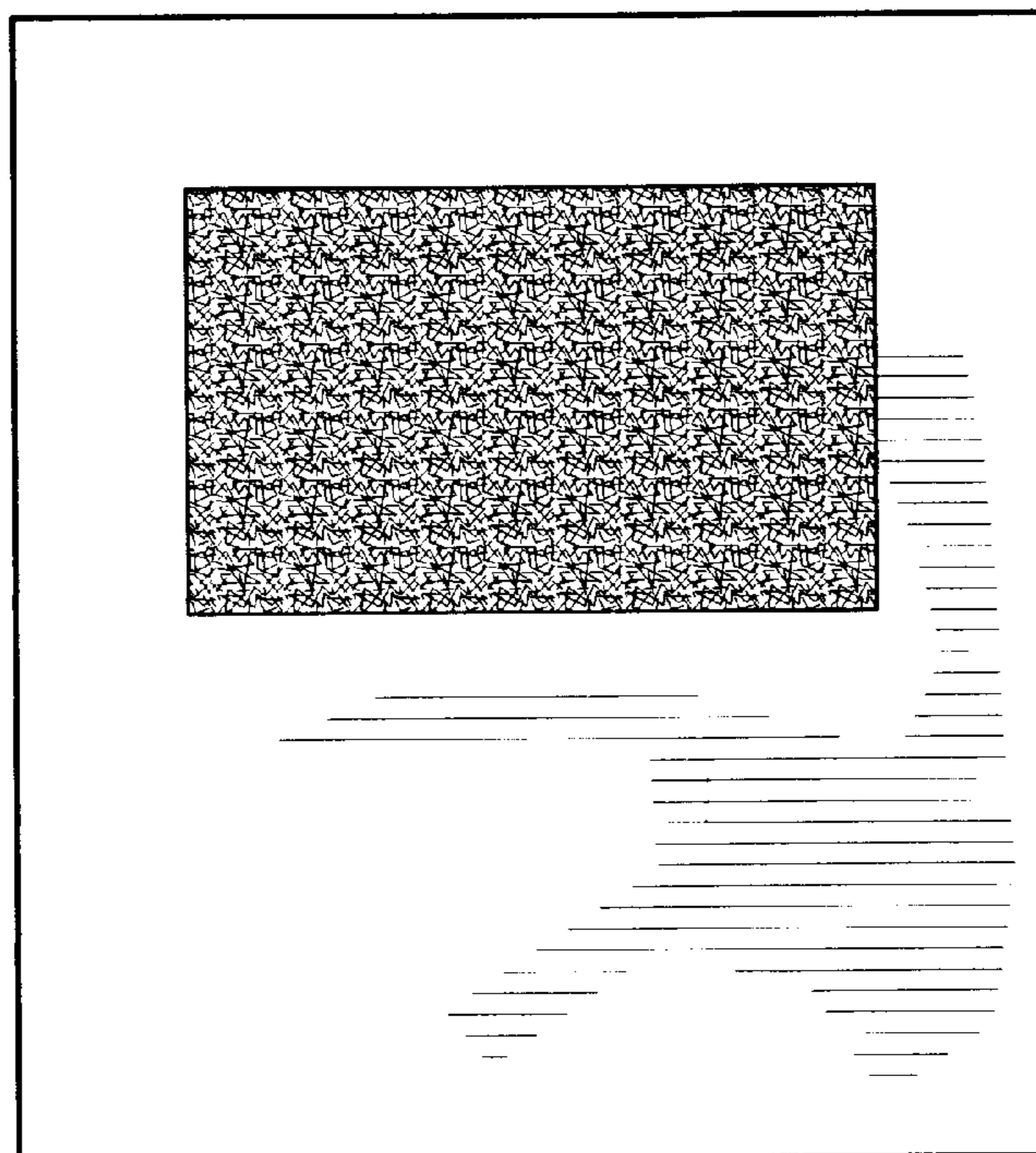


Fig. 2

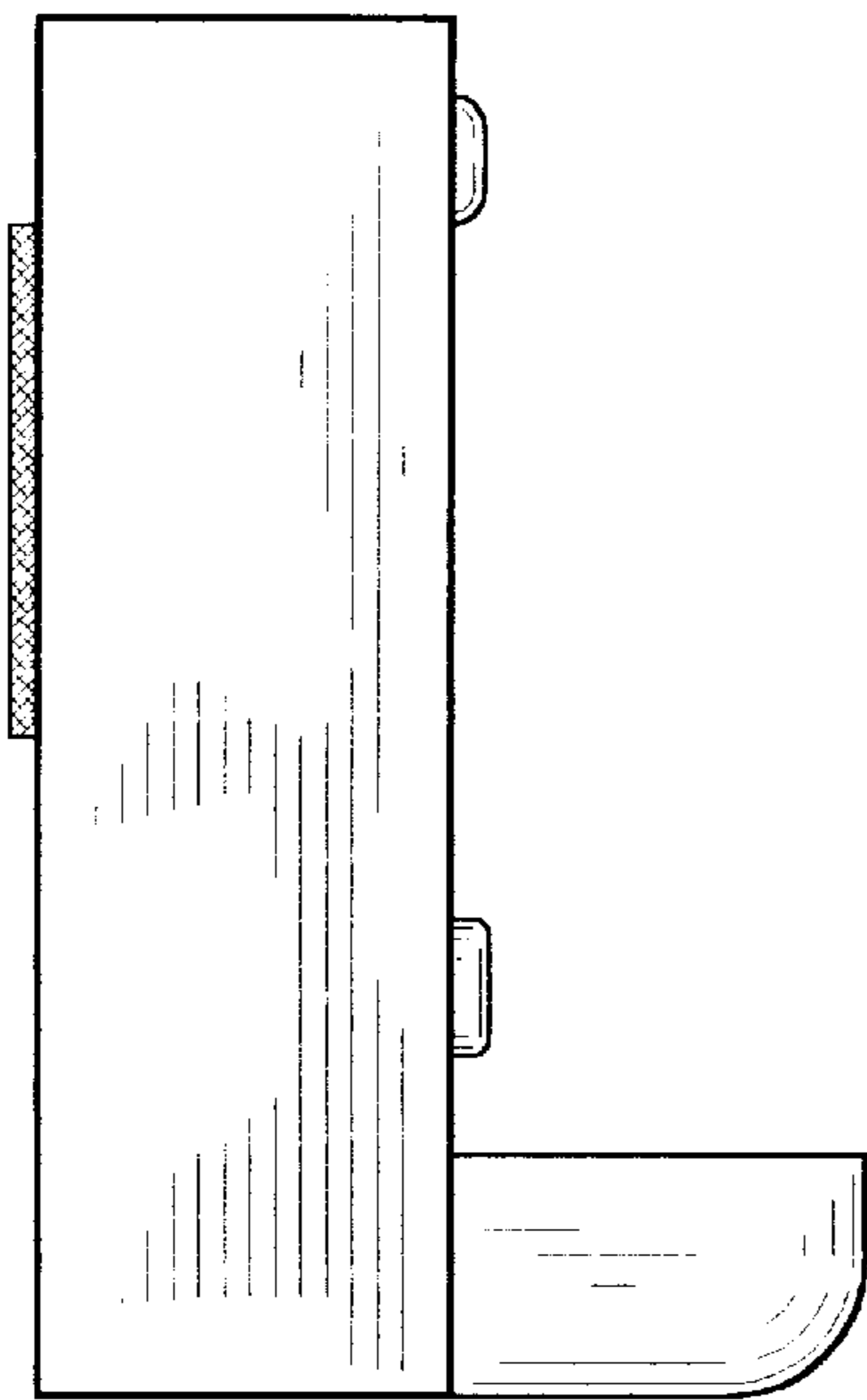


Fig. 3

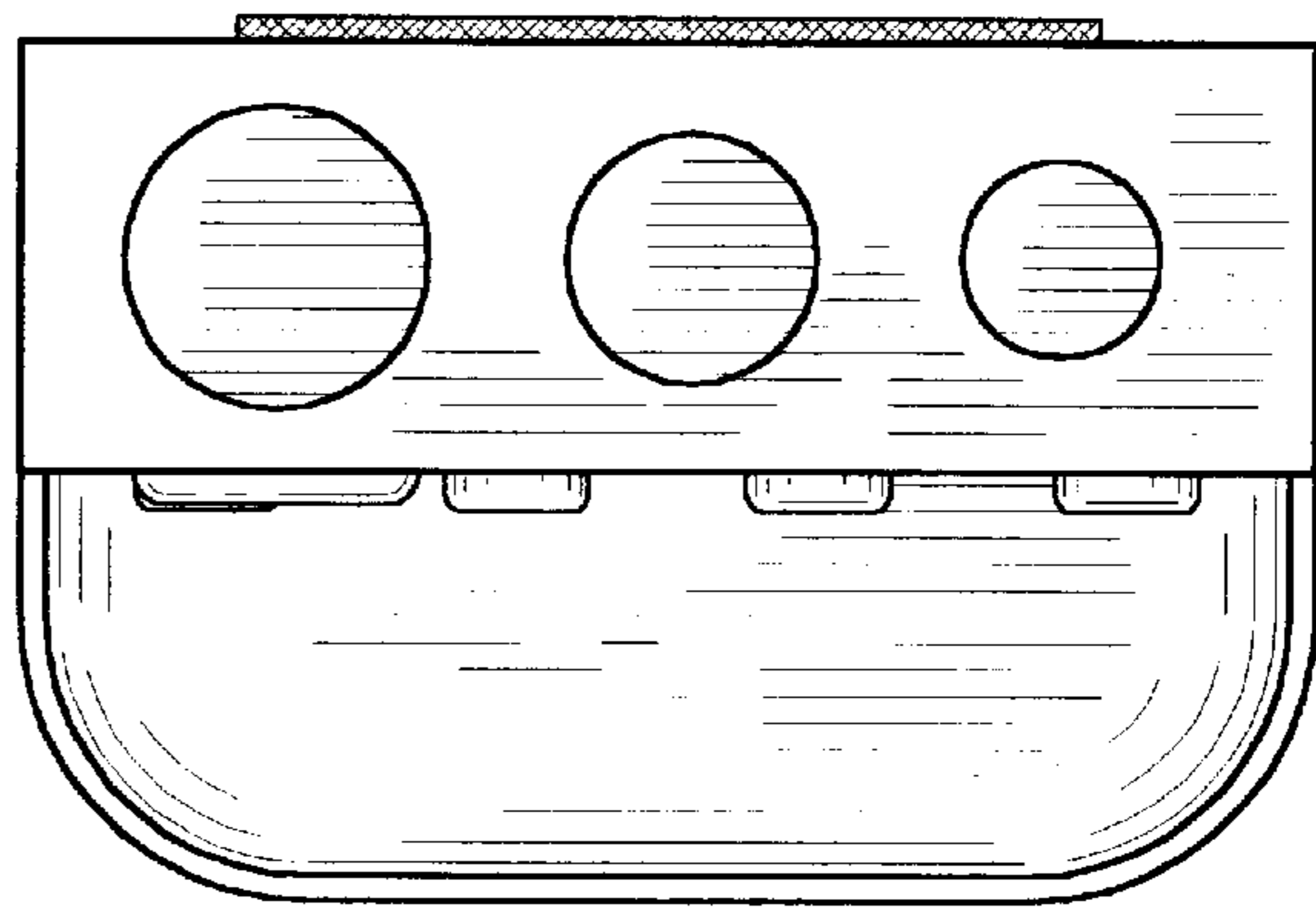


Fig. 4

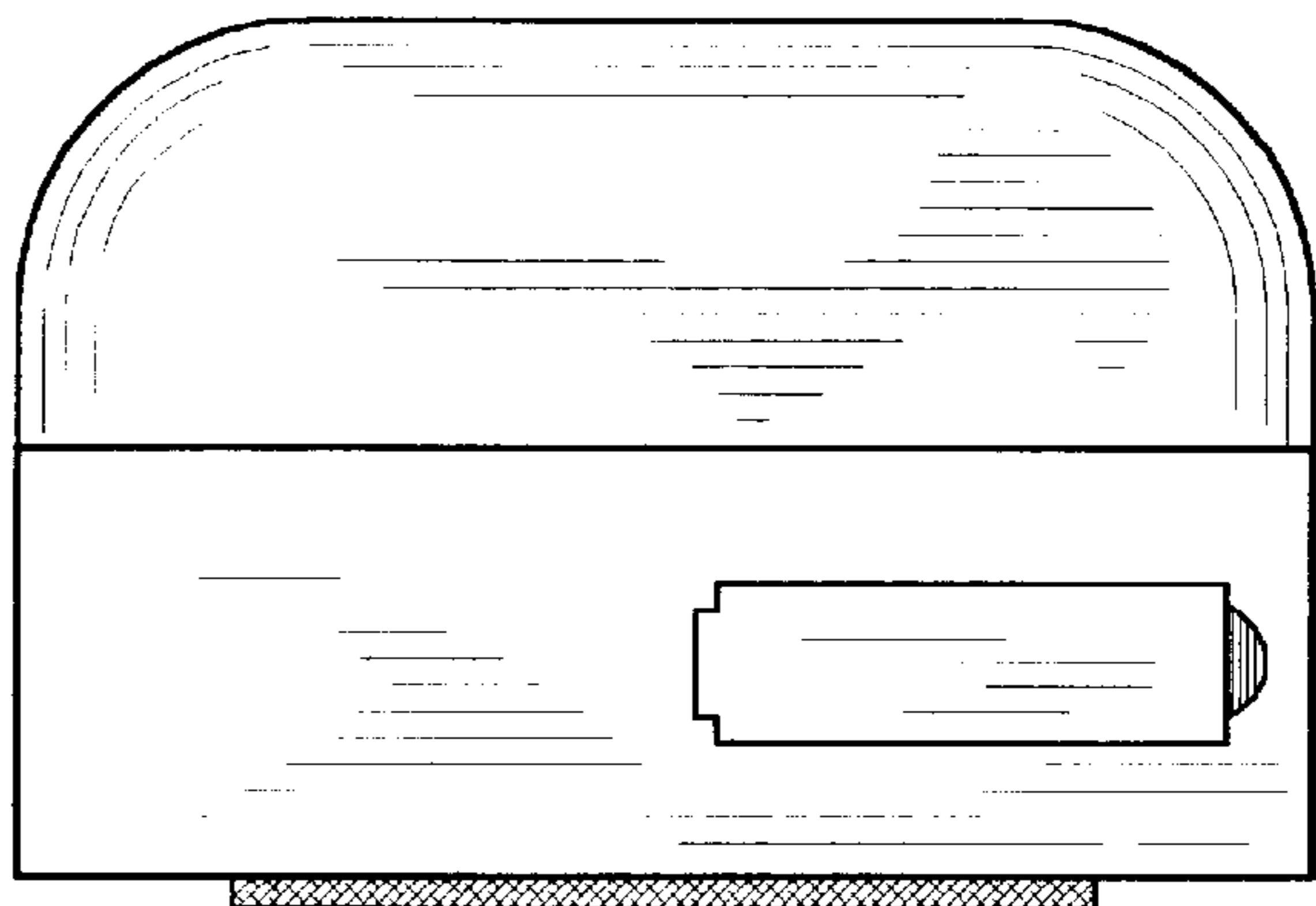


Fig. 5

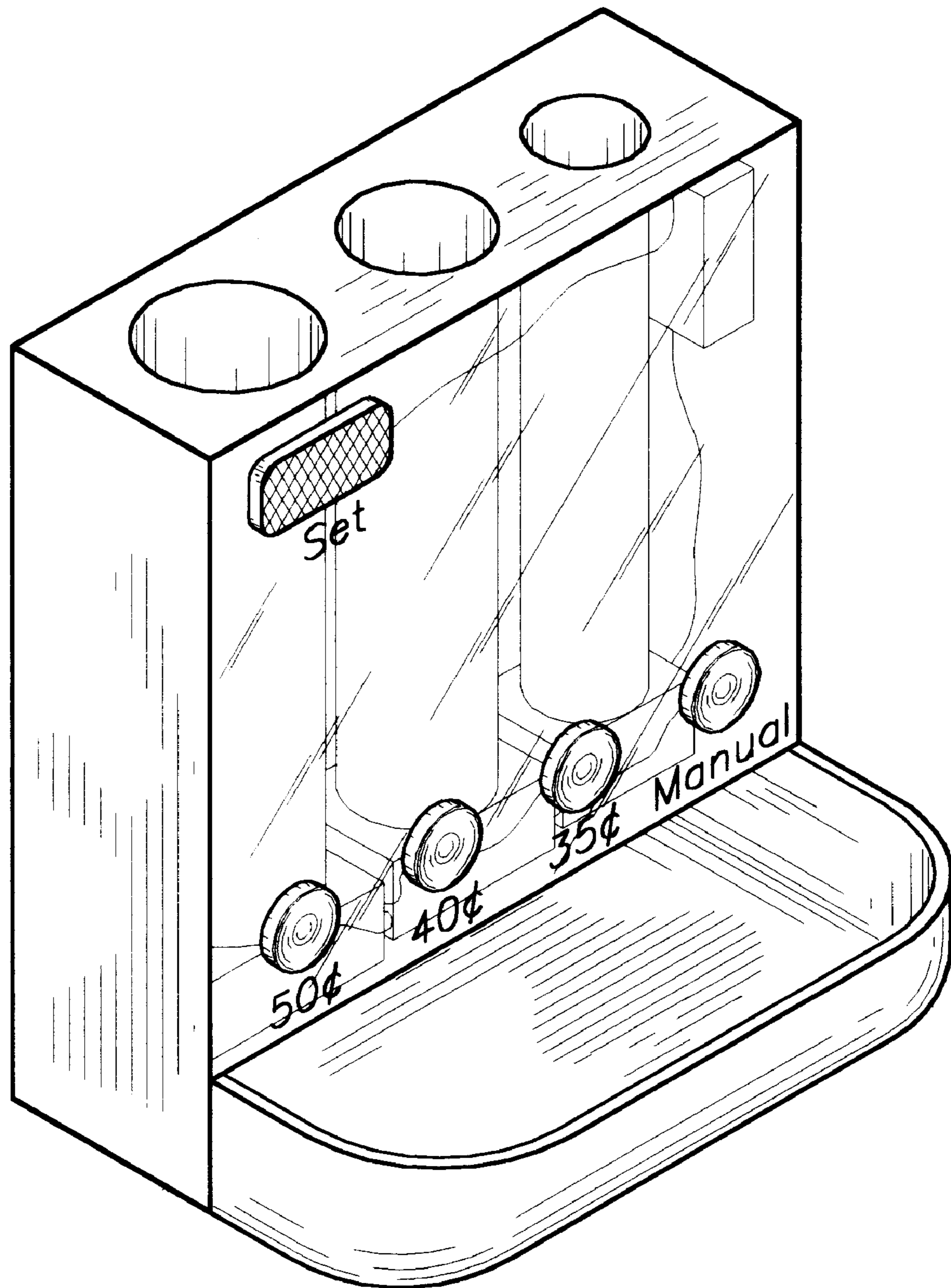


Fig. 6