



US00D425683S

# United States Patent [19]

Nichols et al.

[11] Patent Number: **Des. 425,683**

[45] Date of Patent: **\*\* May 23, 2000**

[54] **BULK DRUM LID**

[75] Inventors: **Dwight Nichols; Michael Faltys; Gary L. Bouc**, all of Beatrice, Nebr.

[73] Assignee: **Hoover Materials Handling Group, Inc.**, Beatrice, Nebr.

[\*\*] Term: **14 Years**

[21] Appl. No.: **29/094,223**

[22] Filed: **Sep. 28, 1998**

[51] **LOC (7) Cl.** ..... **09-02**

[52] **U.S. Cl.** ..... **D34/39; D9/447**

[58] **Field of Search** ..... **D34/39; D9/434, D9/447, 435; 220/254, 288, 334, 367, 90.2, 90.6, 94 R, 200**

[56] **References Cited**

**U.S. PATENT DOCUMENTS**

D. 215,417	9/1969	MacDonald et al.	.....	D9/447
D. 229,892	1/1974	Dubois et al.	.....	D34/39
D. 267,779	2/1983	Roth	.....	D9/434
D. 267,780	2/1983	Walter	.....	D9/434
D. 295,108	4/1988	Przytulla	.....	D34/39
D. 314,514	2/1991	Ten Eyck et al.	.....	D9/447
D. 319,982	9/1991	Mathews	.....	D9/447
D. 348,836	7/1994	McCallum et al.	.....	D9/434 XT

D. 393,520	4/1998	Christy	.....	D34/39
3,972,450	8/1976	Walters	.....	220/90.2
4,779,754	10/1988	Ten Euck et al.	.....	220/94 R

*Primary Examiner*—Susan J. Lucas  
*Assistant Examiner*—Cynthia E. Ramirez  
*Attorney, Agent, or Firm*—Wood, Phillips, VanSanten, Clark & Mortimer

[57] **CLAIM**

The ornamental design for a bulk drum lid, as shown and described.

**DESCRIPTION**

FIG. 1 is a perspective view of a first embodiment of a bulk drum lid showing our new design; FIG. 2 is a top plan view thereof; FIG. 3 is a front elevation view thereof; FIG. 4 is a left side elevation view thereof; FIG. 5 is a right side elevation view thereof; FIG. 6 is a rear elevation view thereof; FIG. 7 is a bottom plan view thereof; FIG. 8 is a perspective view of a second embodiment of a bulk drum lid showing our new design with a single threaded opening; and, FIG. 9 is a perspective view of a third embodiment of a bulk drum lid showing our new design with two threaded openings.

**1 Claim, 4 Drawing Sheets**

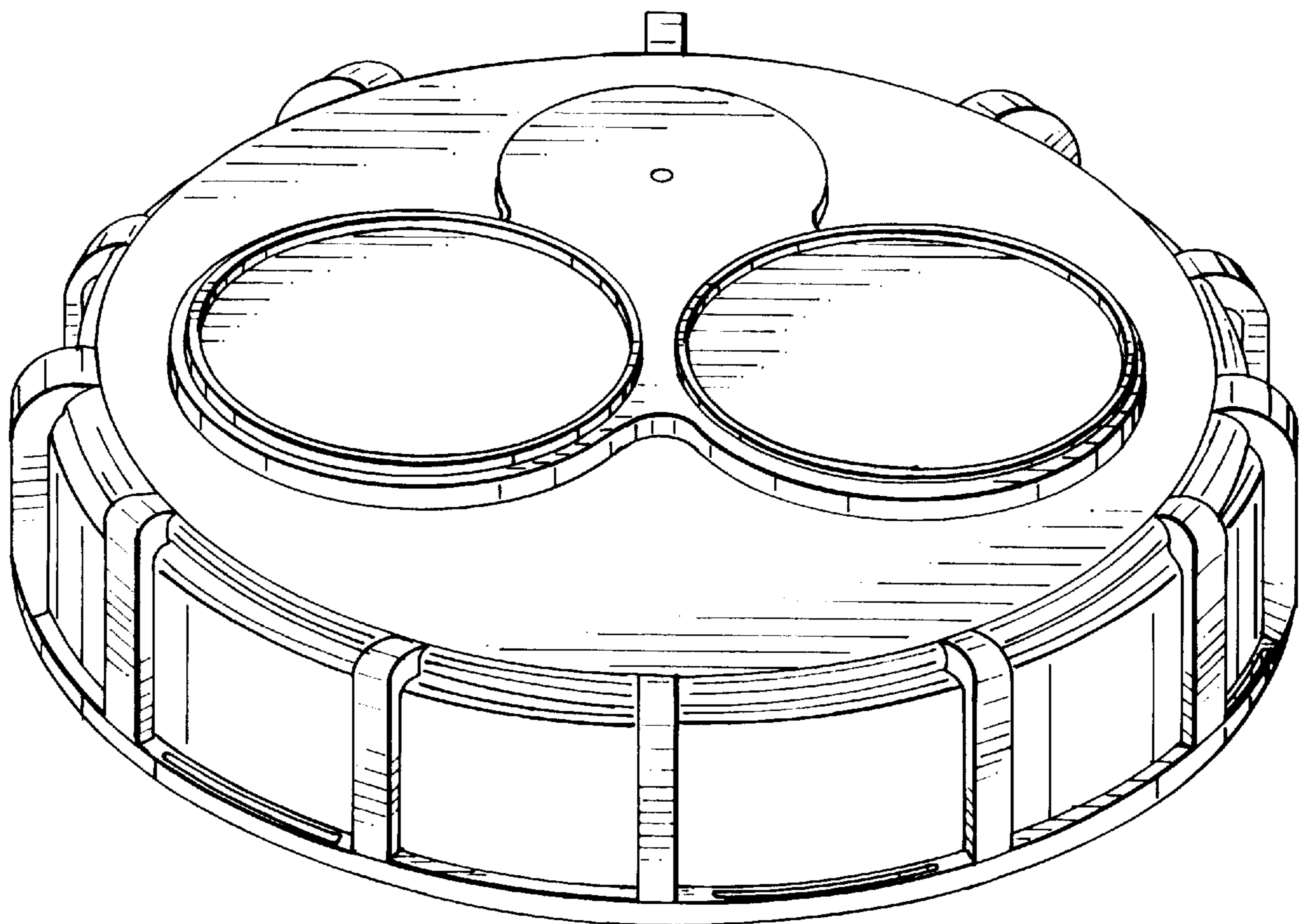


FIG. 1

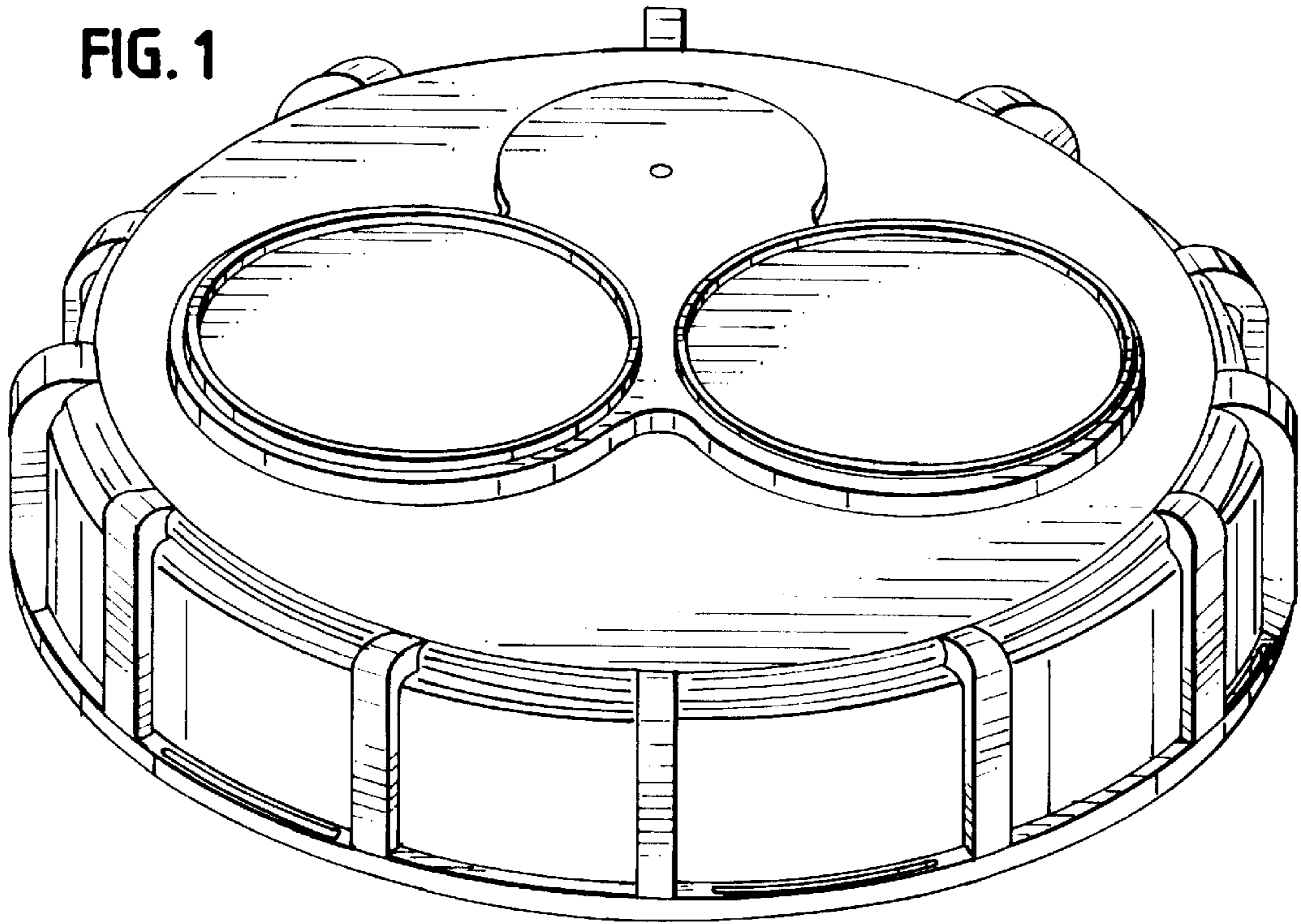


FIG. 2

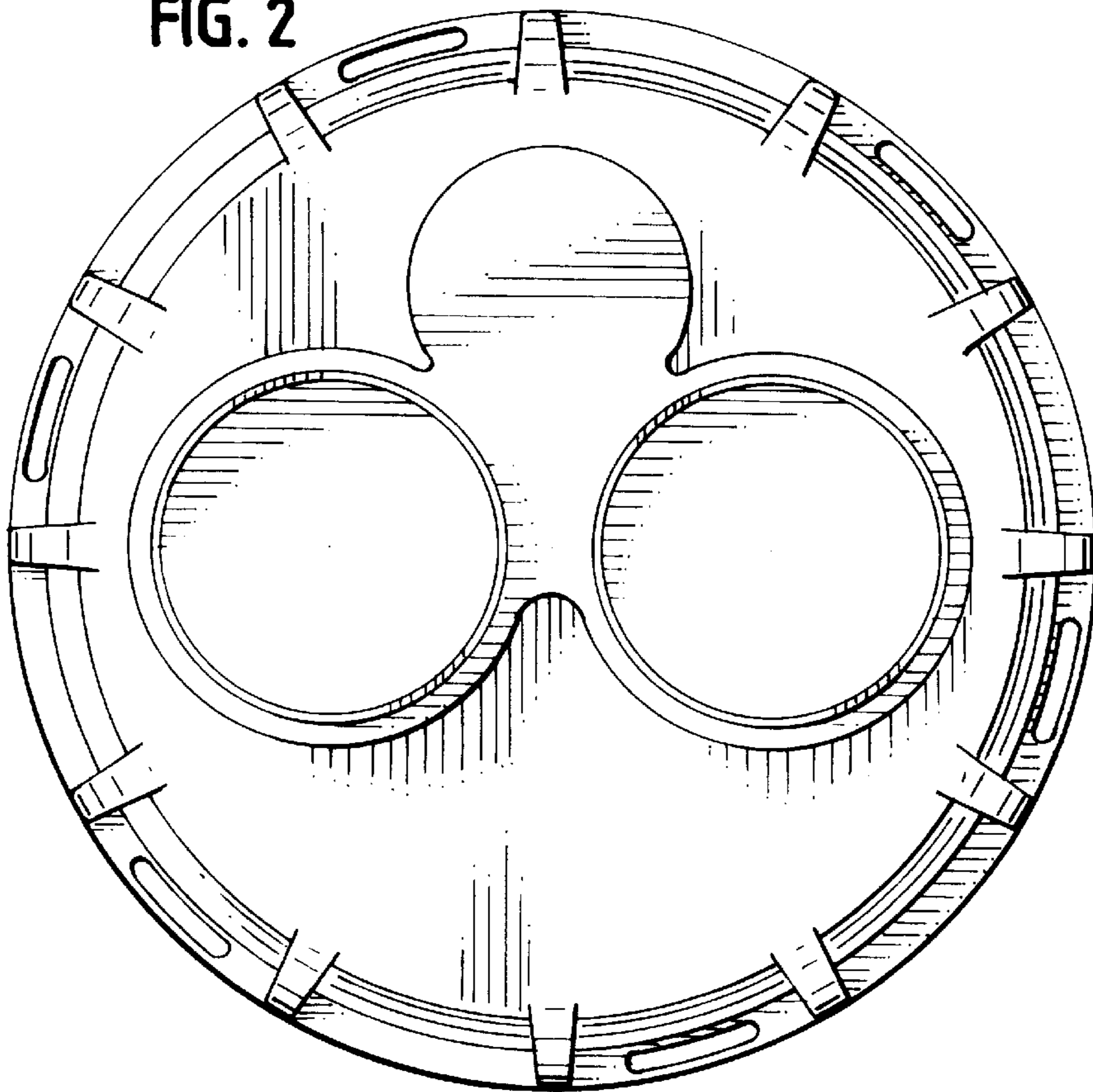


FIG. 3

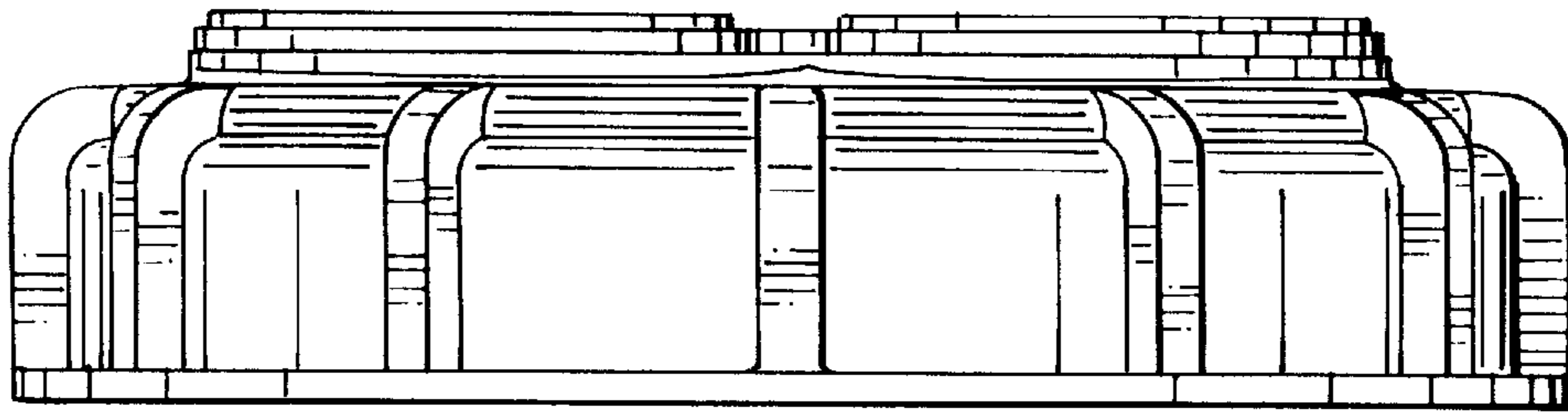


FIG. 4

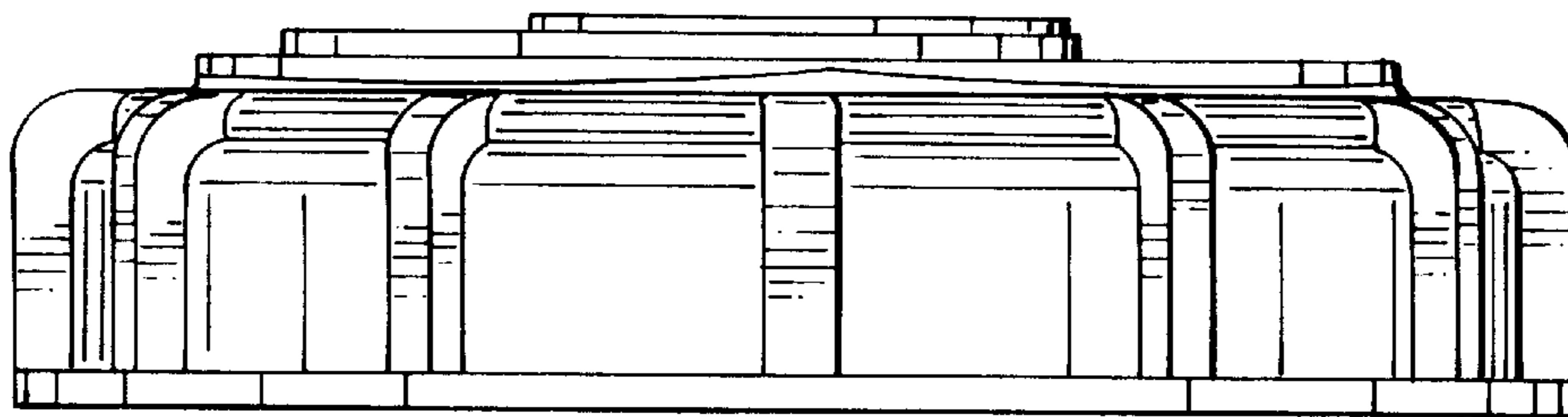


FIG. 5

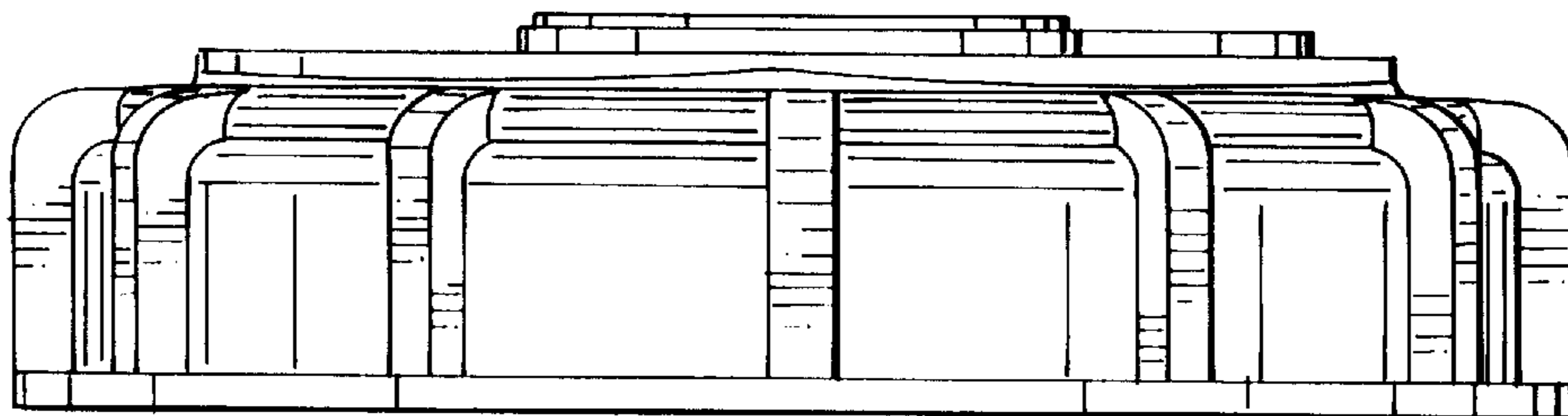


FIG. 6

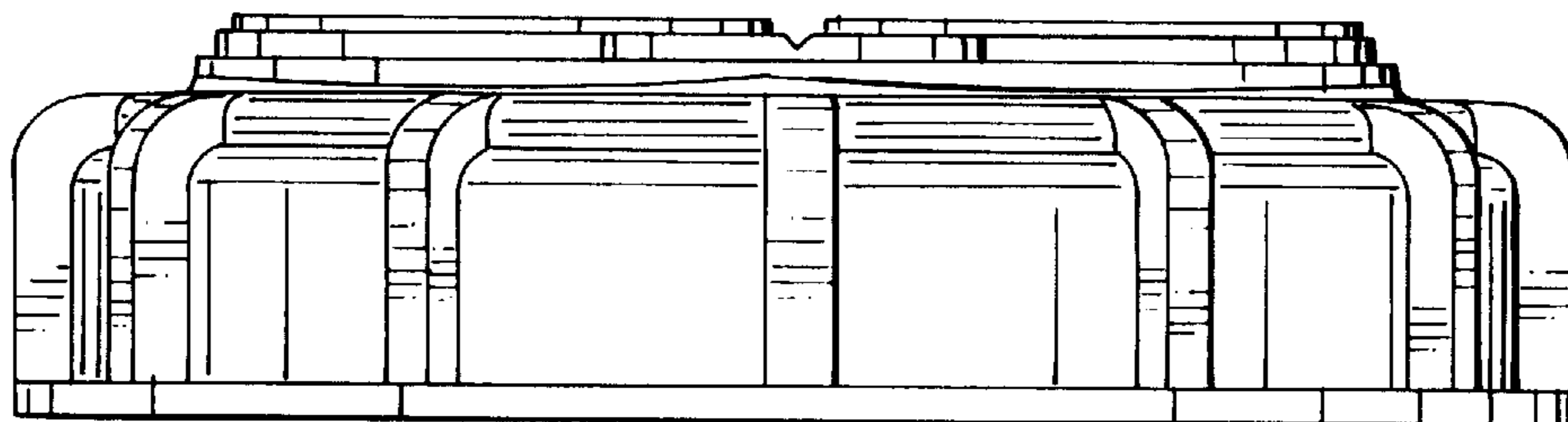


FIG. 7

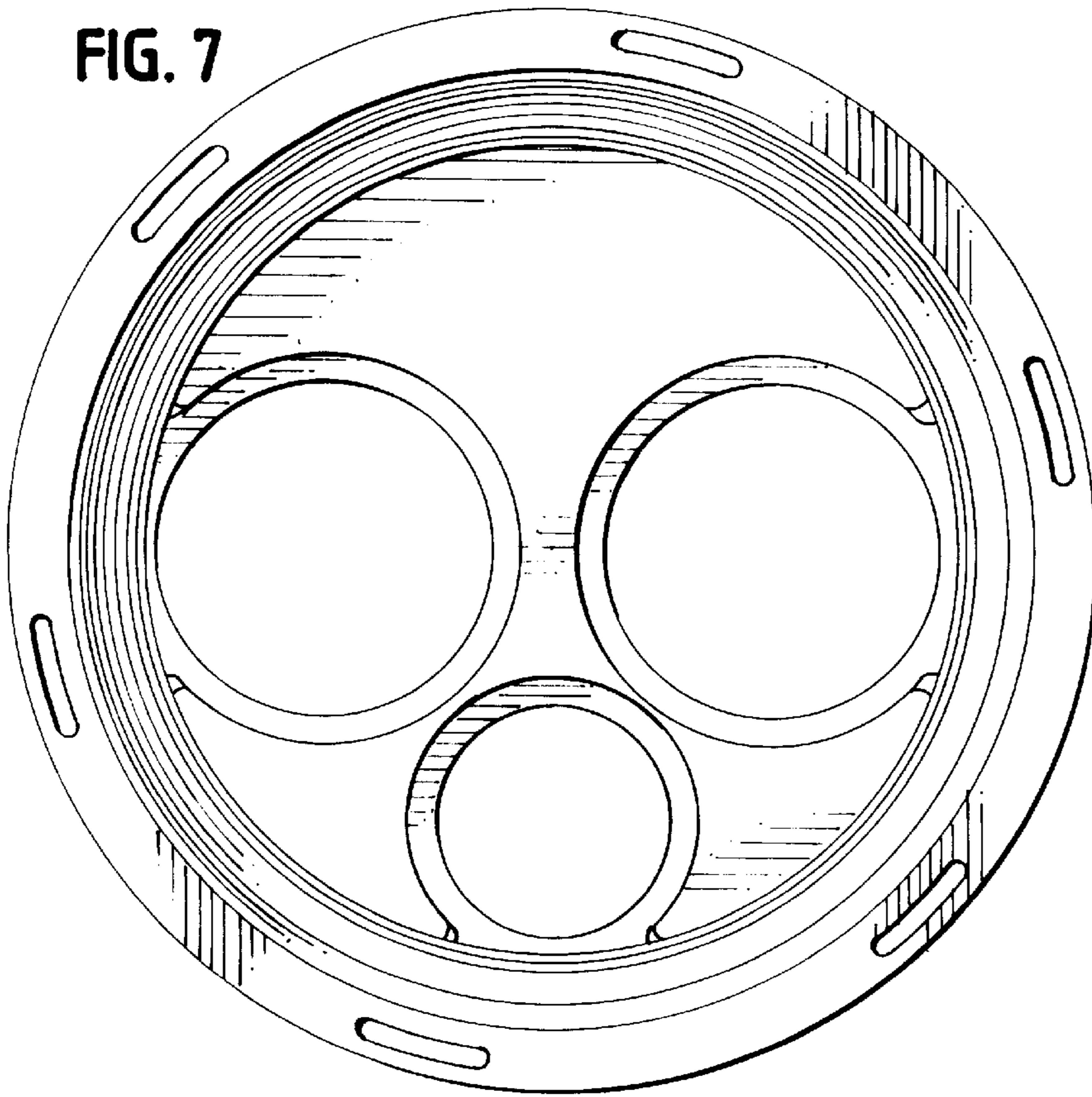


FIG. 8

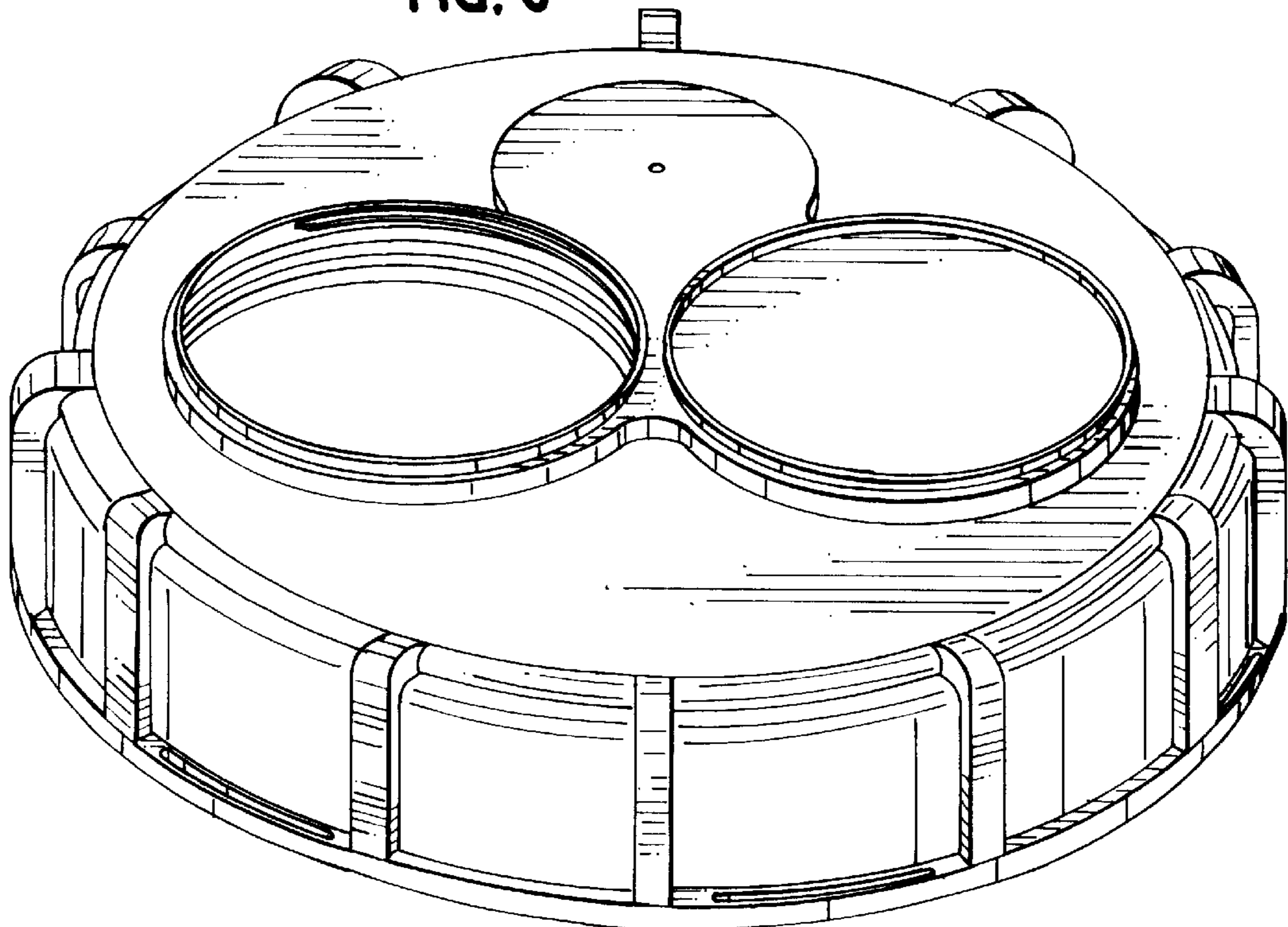


FIG. 9

