



US00D425681S

United States Patent [19]

Johnson et al.

[11] Patent Number: **Des. 425,681**

[45] Date of Patent: **** May 23, 2000**

[54] **ERGONOMIC HANDGRIP FOR A SHOPPING CART**

[75] Inventors: **Christopher M. Johnson; Ralph C. McCann**, both of Henrico County, Va.

[73] Assignee: **Rehrig International**, Richmond, Va.

[**] Term: **14 Years**

[21] Appl. No.: **29/104,074**

[22] Filed: **Apr. 28, 1999**

[51] **LOC (7) Cl.** **12-02**

[52] **U.S. Cl.** **D34/27**

[58] **Field of Search** D34/12-27; 280/33.992, 280/47.17; 16/111 A, 111 R; D8/107, 14; 74/551.9; D12/178

[56] **References Cited**

U.S. PATENT DOCUMENTS

D. 314,500	2/1991	Germain	D8/107
D. 341,691	11/1993	Begum et al.	D34/27
D. 347,719	6/1994	Machen et al.	D34/15
D. 376,459	12/1996	Myers	D34/27
5,595,259	1/1997	Gilliland et al.	74/551.9 X
5,819,594	10/1998	Sjovall	74/551.9

OTHER PUBLICATIONS

Three color photographs of a hand grip owned by applicants, in use since approximately 1993. Design Drawing owned by Dick Luke Shopping Cart Company, a competitor of the applicants, in use since approximately 1995.

Primary Examiner—Kay H. Chin
Attorney, Agent, or Firm—J. Michael Martinez de Andino; McGuire, Woods, Battle & Boothe, LLP

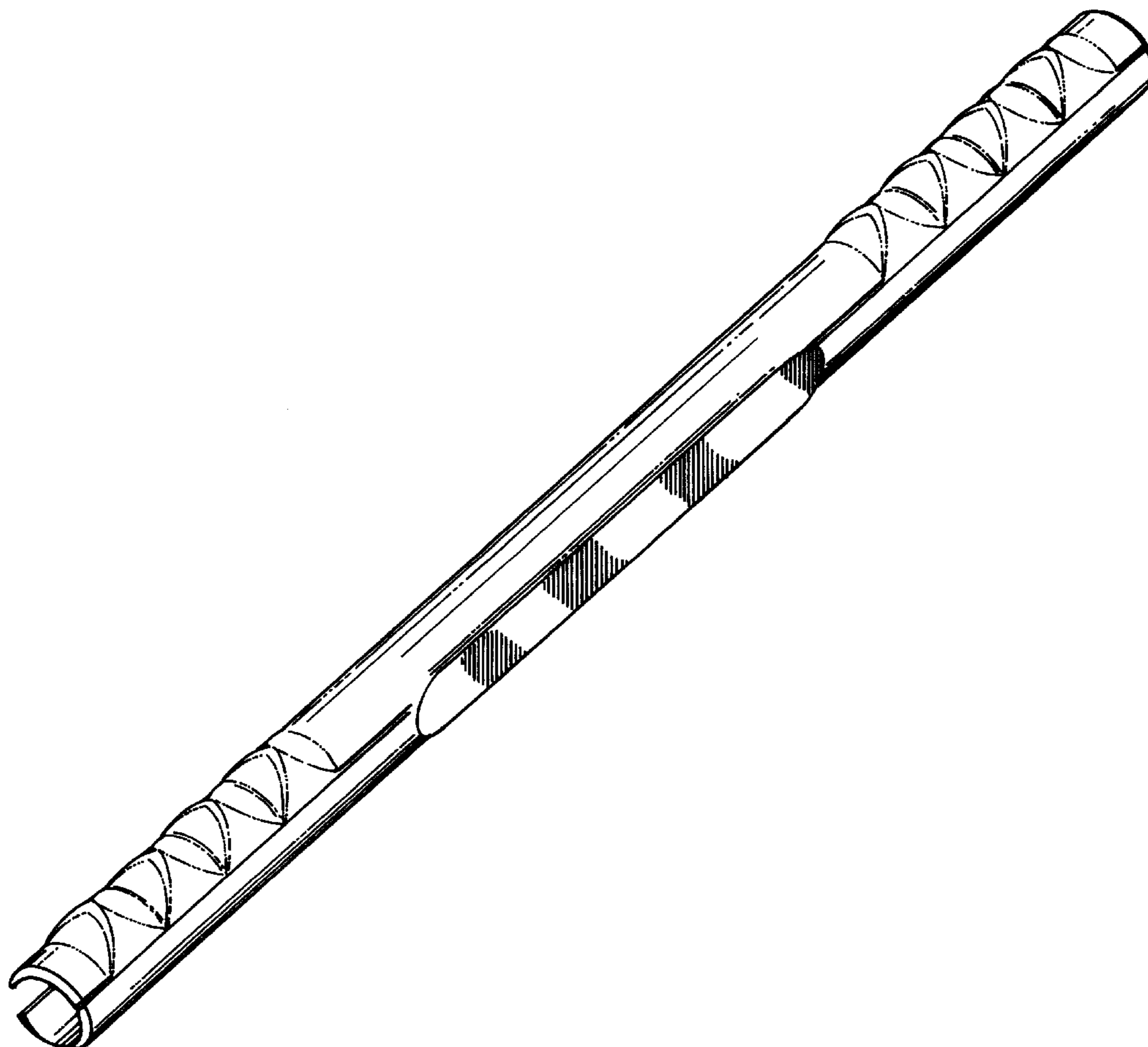
[57] **CLAIM**

The ornamental design for an ergonomic handgrip for a shopping cart, as shown and described.

DESCRIPTION

FIG. 1 is a front, left side perspective view of an ergonomic handgrip for a shopping cart, according to the preferred embodiment of the present invention; FIG. 2 is a front view thereof; FIG. 3 is a bottom view thereof; FIG. 4 is a rear view thereof; FIG. 5 is a top plan view thereof; FIG. 6 is a right side view thereof; and, FIG. 7 is a left side view thereof.

1 Claim, 3 Drawing Sheets



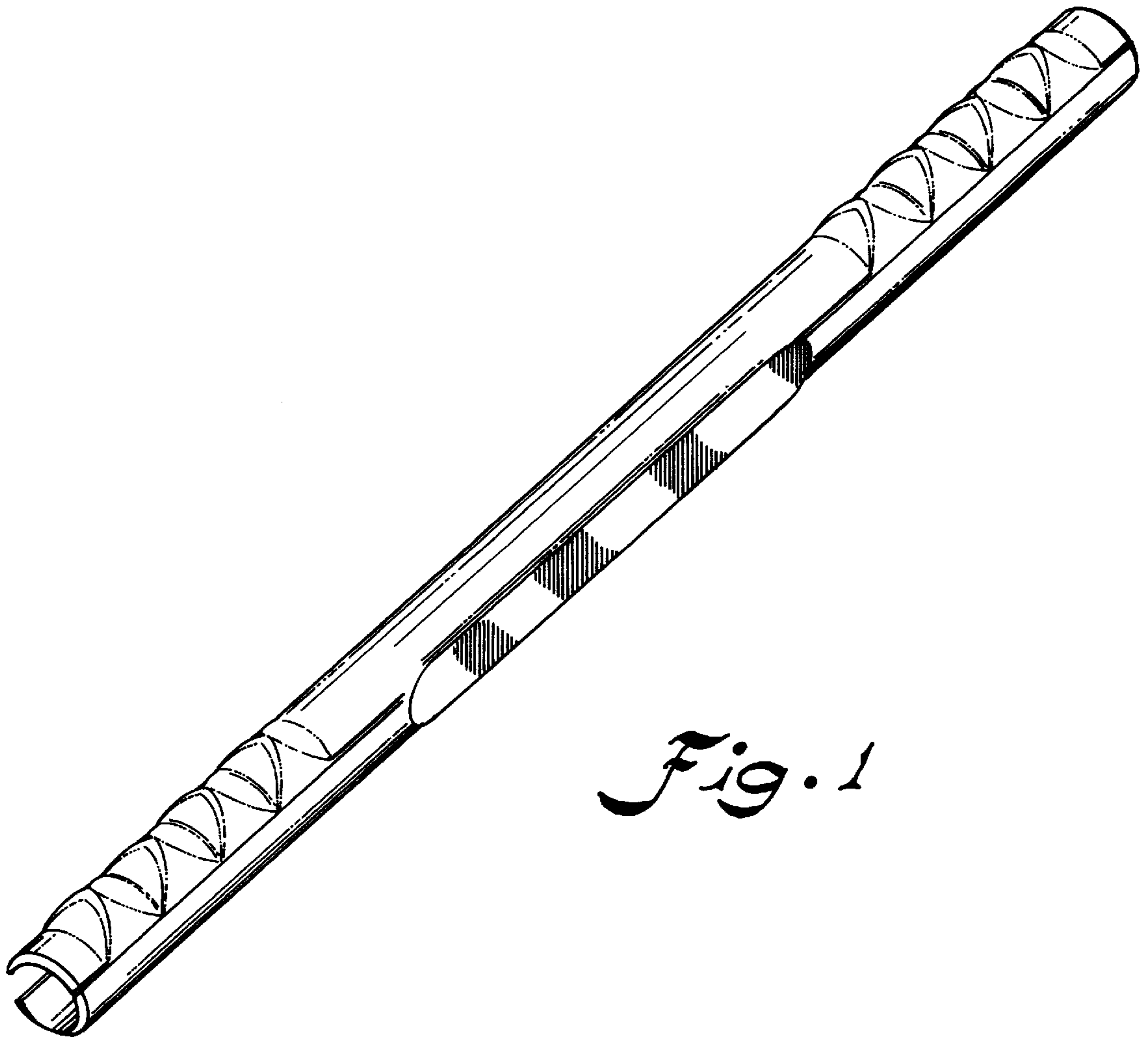


Fig. 1

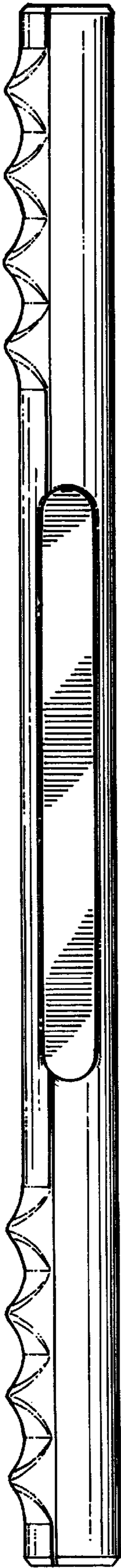


Fig. 2



Fig. 3

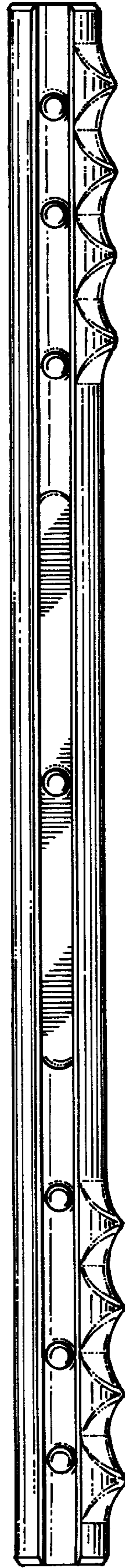


Fig. 4



Fig. 5

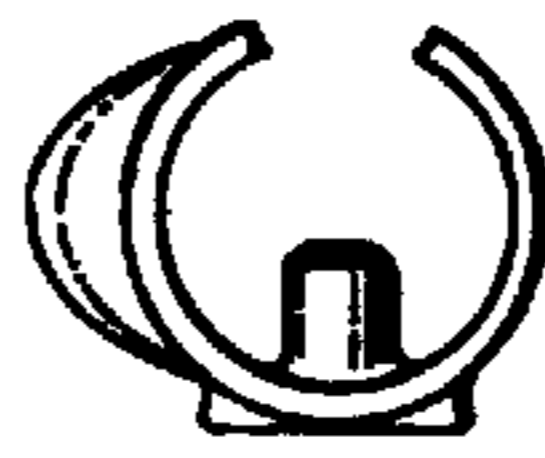


Fig. 6



Fig. 7