



US00D425678S

United States Patent [19]

Hull et al.

[11] Patent Number: **Des. 425,678**

[45] Date of Patent: **** May 23, 2000**

[54] PAINTBRUSH CLEANING WAND

5,406,967 4/1995 Eberle 15/104.92

[76] Inventors: **Judd R Hull; Lisa O Hull**, both of
7875 SW. Alden, Portland, Oreg. 97223

Primary Examiner—Alan P. Douglas
Assistant Examiner—Lavone Tabor

[**] Term: **14 Years**

[57] CLAIM

[21] Appl. No.: **29/109,991**

The ornamental design for a paintbrush cleaning wand, as shown and described.

[22] Filed: **Aug. 26, 1999**

DESCRIPTION

[51] LOC (7) Cl. **08-99**

FIG. 1 is a front elevational view of the paintbrush cleaning wand of the present invention, the rear view being a mirror image thereof;

[52] U.S. Cl. **D32/35; D32/45**

FIG. 2 is a left side elevational view of the paintbrush cleaning wand of FIG. 1, the right view being a mirror image thereof;

[58] Field of Search D32/35, 45; D23/213,
D23/217; 15/104.92, 142; 134/199; 239/565-567,
597, 754

FIG. 3 is a top plan view of the paintbrush cleaning wand of FIG. 1; and,

[56] References Cited

U.S. PATENT DOCUMENTS

FIG. 4 is a bottom plan view of the paintbrush cleaning wand of FIG. 1.

3,170,182	2/1965	Burian	15/142
4,823,424	4/1989	Allen	15/104.92
5,381,964	1/1995	Reyna	239/566

1 Claim, 2 Drawing Sheets

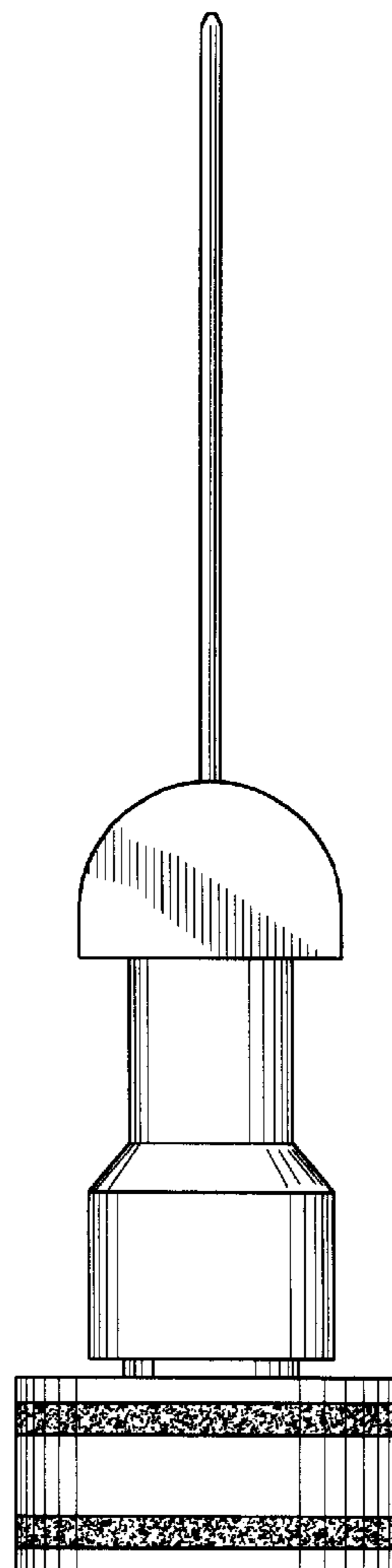
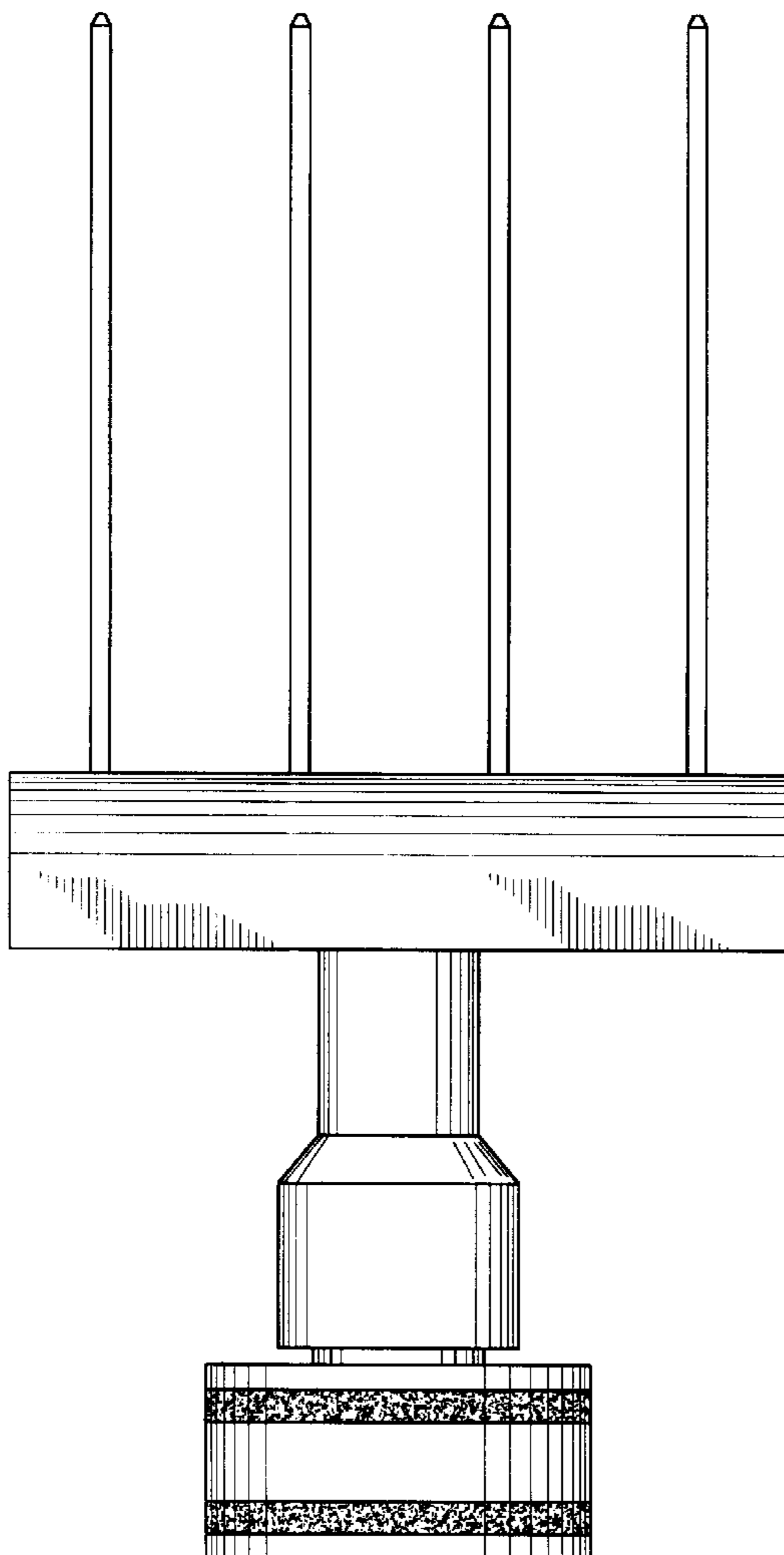


FIG. 1

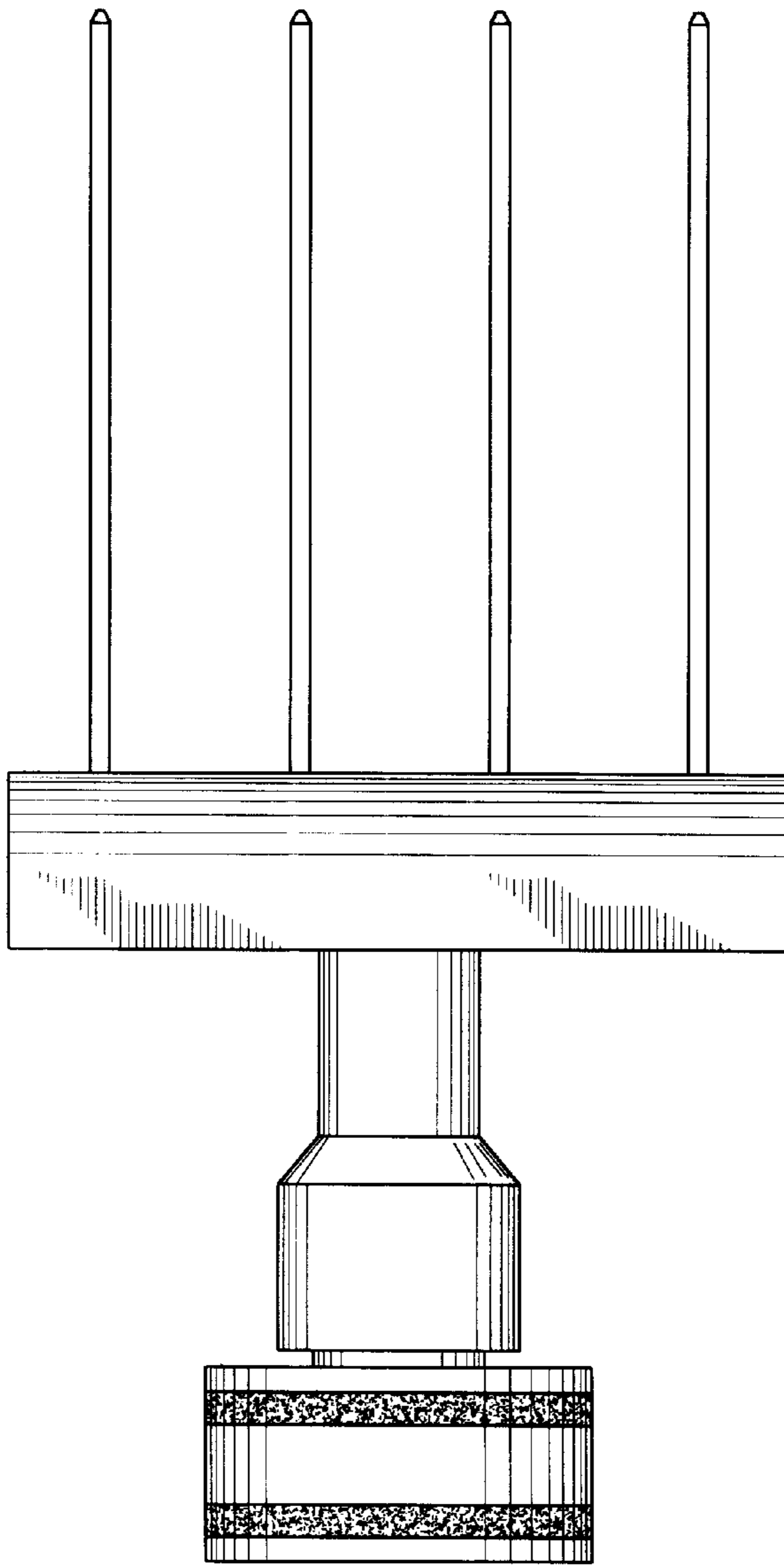


FIG. 2

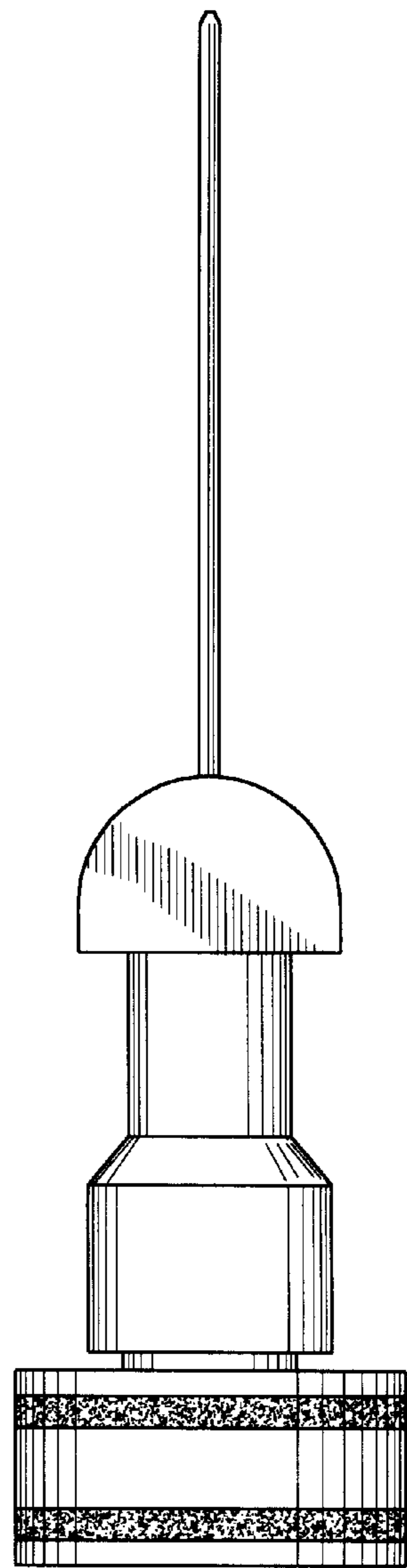


FIG. 3

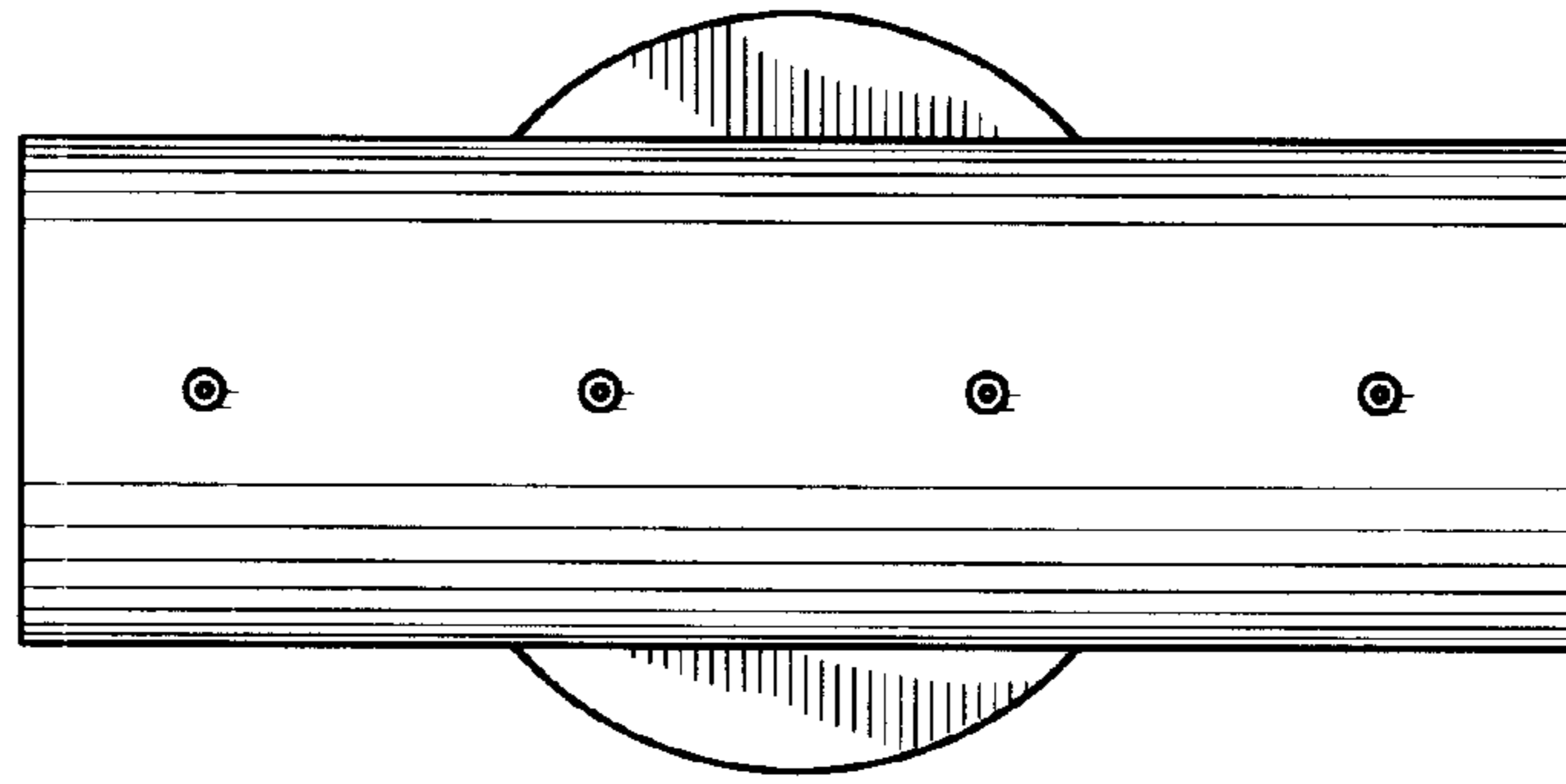


FIG. 4

