



US00D425677S

United States Patent [19]
Williamson

[11] **Patent Number: Des. 425,677**

[45] **Date of Patent: ** May 23, 2000**

[54] **LANCE ADAPTOR**

[75] Inventor: **Martin Williamson**, Breadsall Village,
United Kingdom

[73] Assignee: **Sprintvest Corporation**, Curacao,
Netherlands

[**] Term: **14 Years**

[21] Appl. No.: **29/091,281**

[22] Filed: **Jul. 23, 1998**

[30] **Foreign Application Priority Data**

Apr. 7, 1998 [GB] United Kingdom 2073804

[51] **LOC (7) Cl.** **15-05**

[52] **U.S. Cl.** **D32/25**

[58] **Field of Search** D32/25; D24/129;
D23/262; 239/132.3; 15/317, 318, 318.1

[56] **References Cited**

U.S. PATENT DOCUMENTS

D. 239,019 3/1976 Finn D24/129

D. 245,921 9/1977 Beran D24/129
D. 327,318 6/1992 Dudar et al. D24/129
3,620,455 11/1971 Berry 239/132.3
5,129,455 7/1992 Boisture 15/317

Primary Examiner—Mitchell Siegel
Attorney, Agent, or Firm—Ladas & Parry

[57] **CLAIM**

I claim the ornamental design for lance adaptor, as shown and described.

DESCRIPTION

FIG. 1 is a rear/bottom/left-side isometric view of a lance adaptor showing my new design;

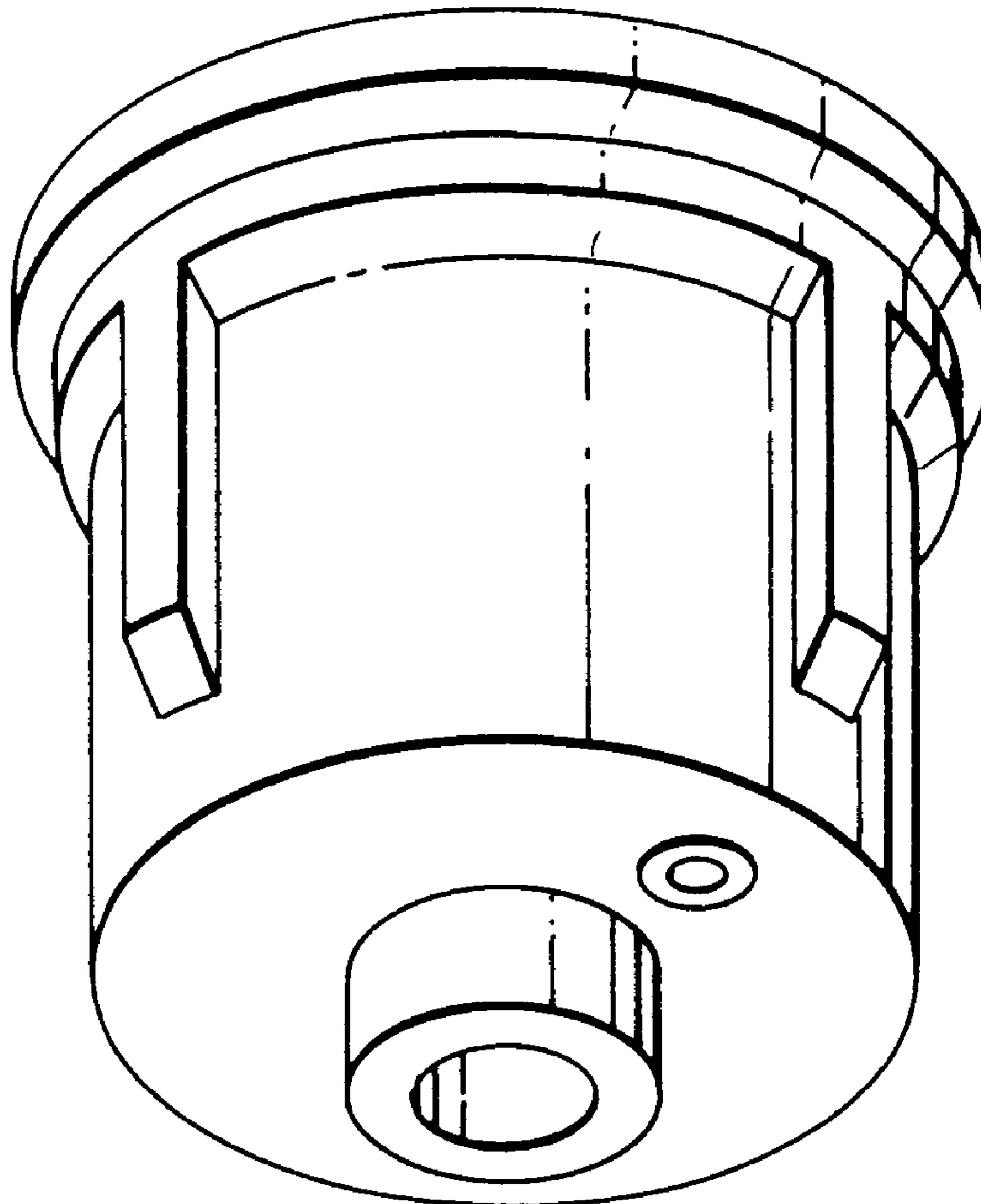
FIG. 2 is a top/front/right-side isometric view thereof;

FIG. 3 is a top plan view thereof;

FIG. 4 is a front elevational view thereof, the rear, right and left sides are identical; and,

FIG. 5 is a bottom plan view thereof.

1 Claim, 2 Drawing Sheets



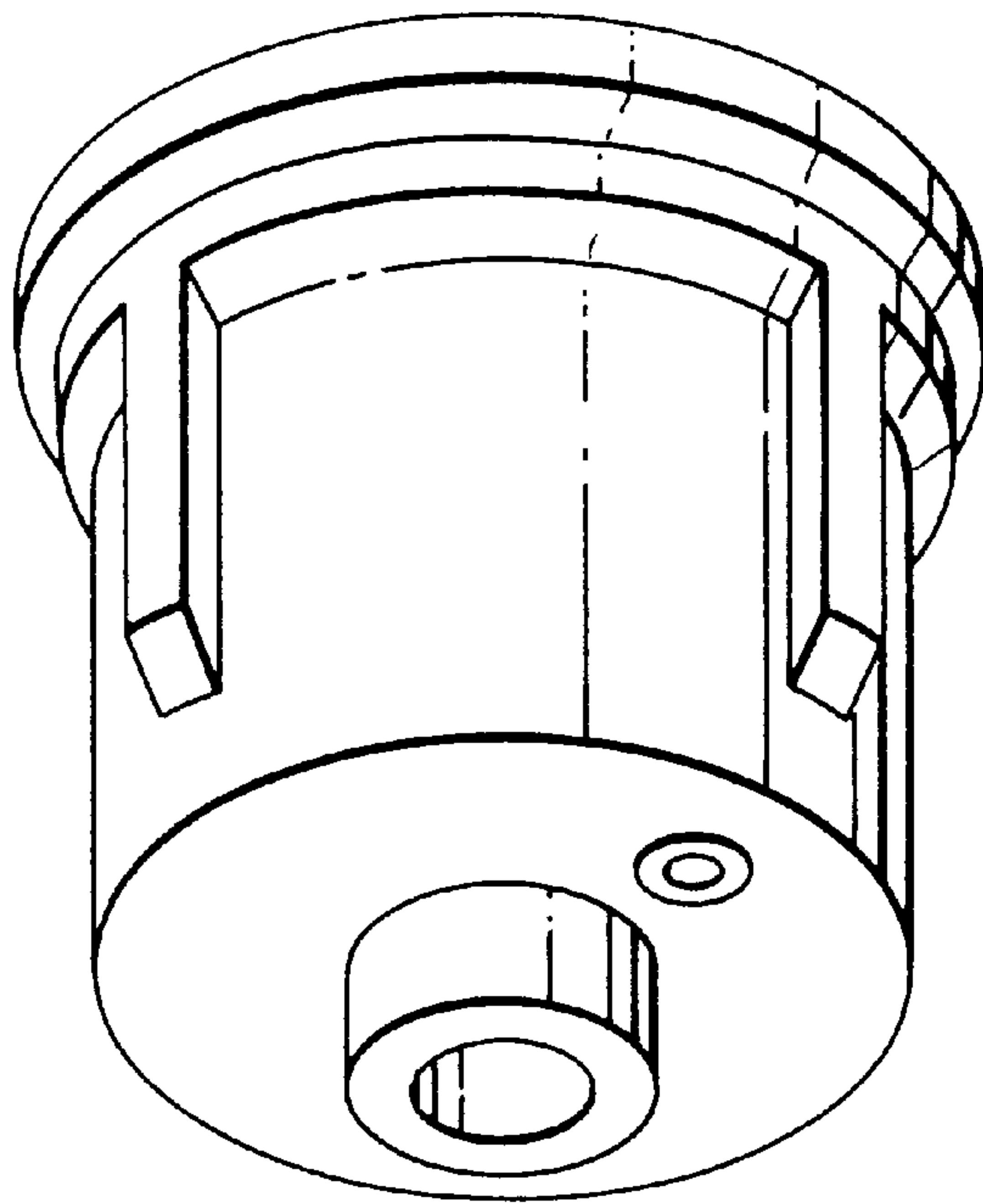


FIG. 1

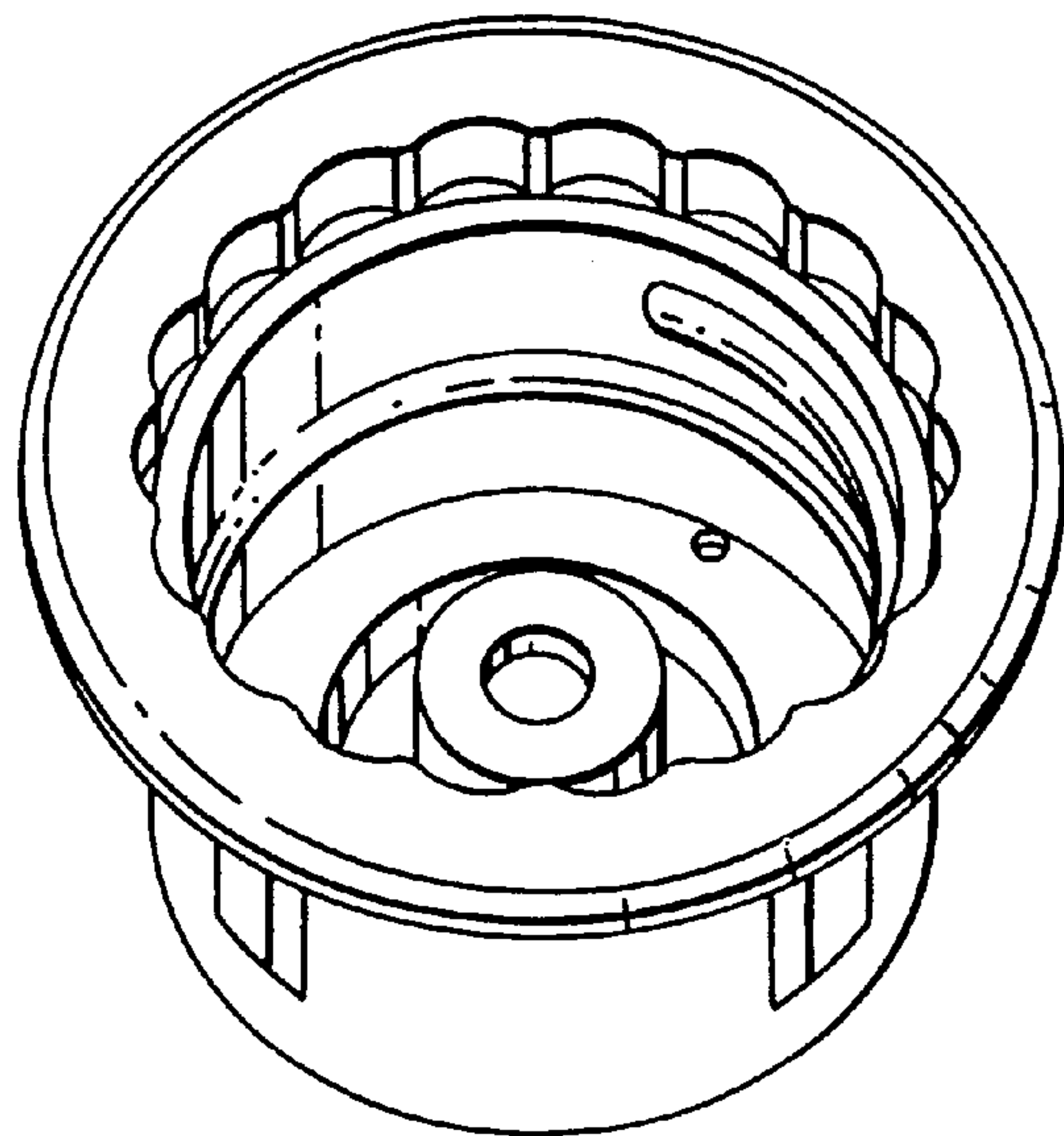


FIG. 2

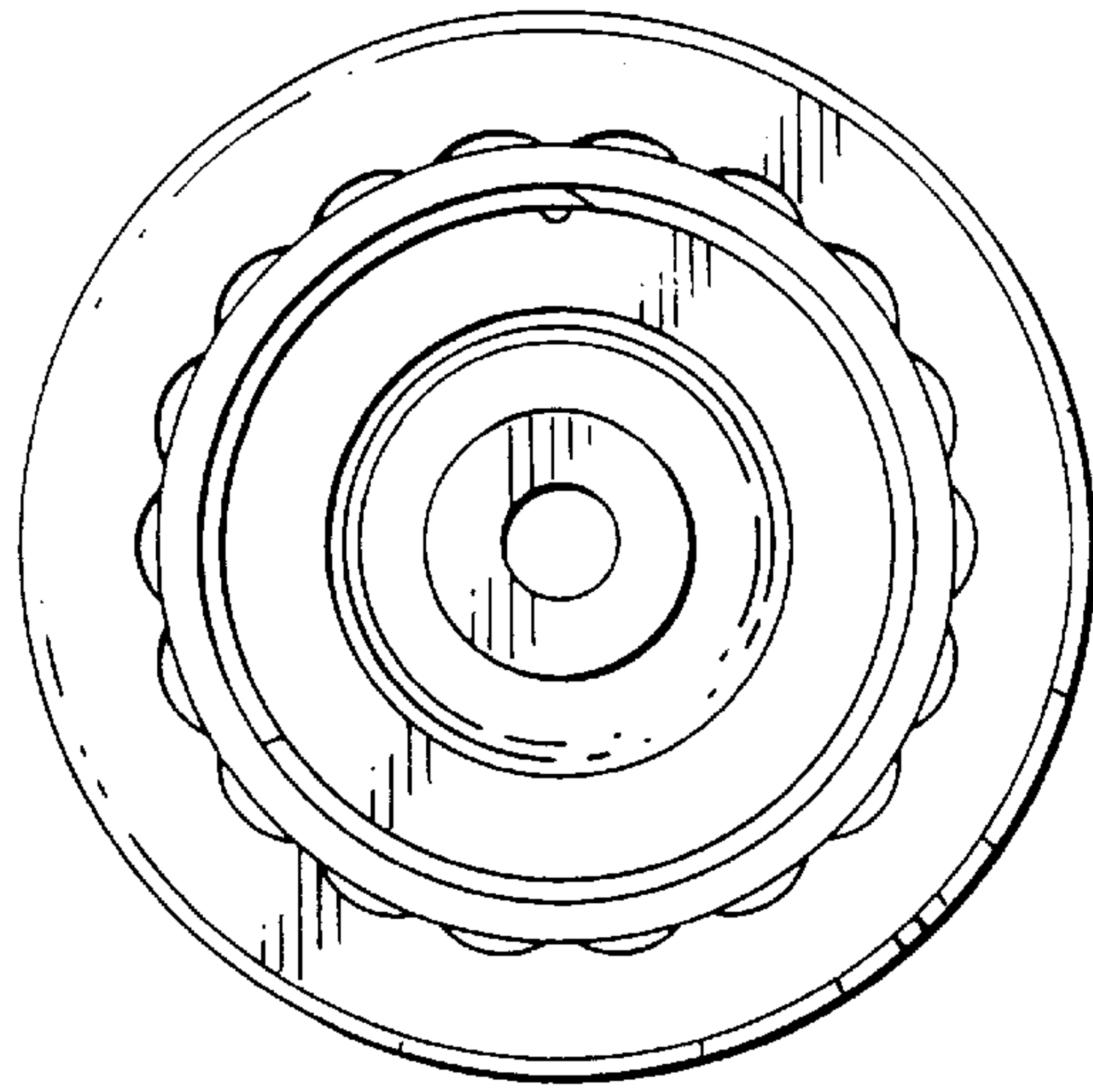


FIG. 3

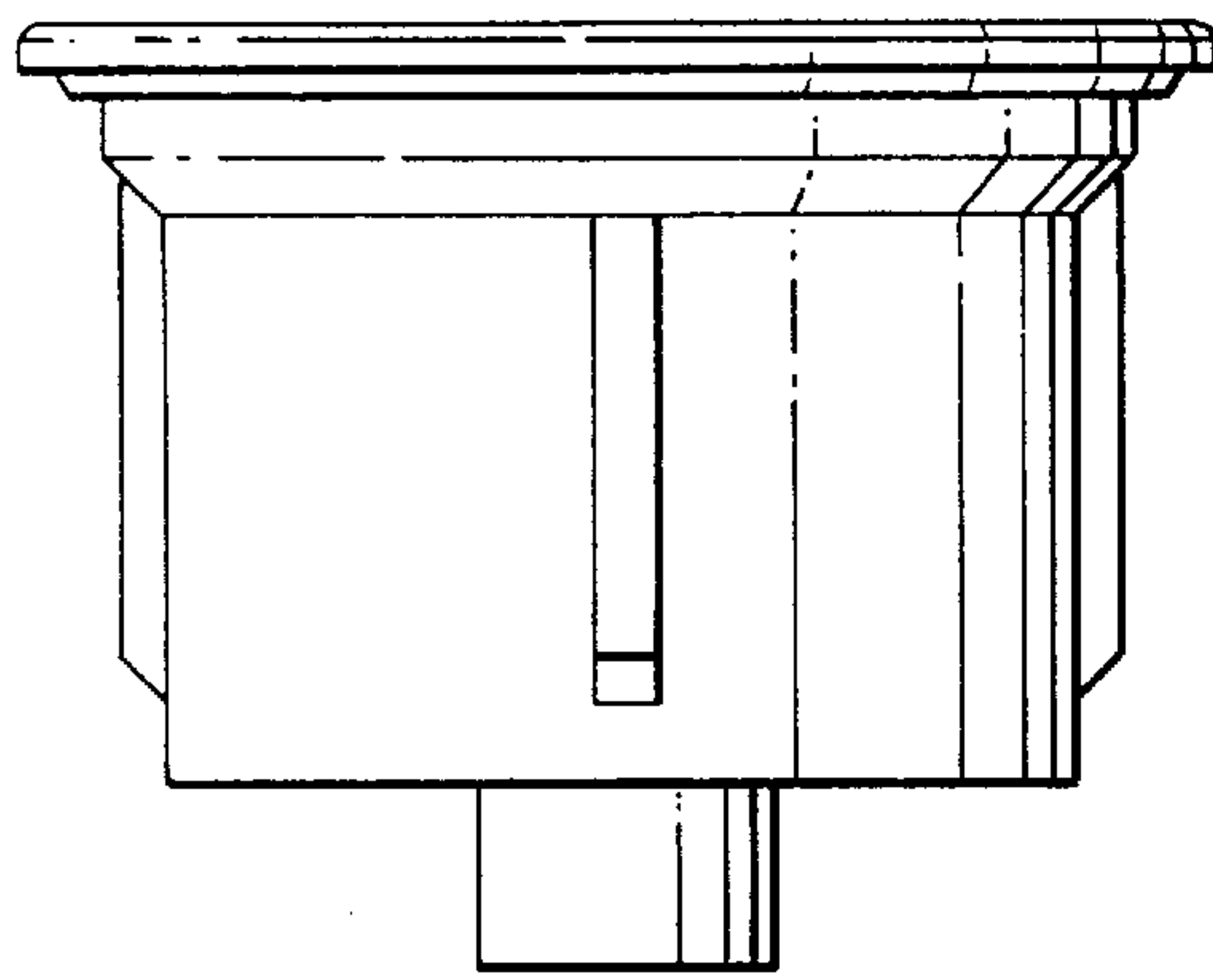


FIG. 4

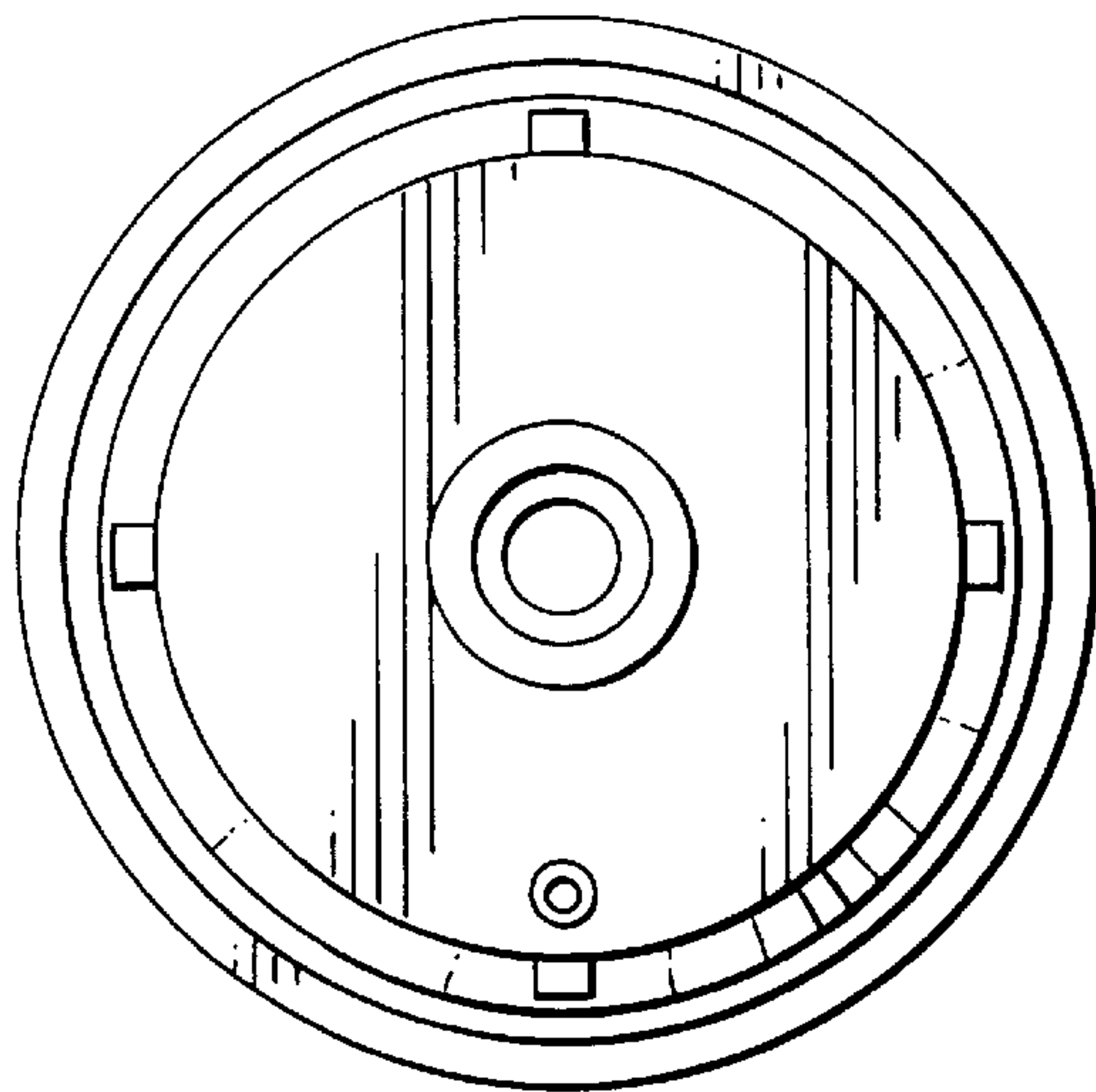


FIG. 5