



US00D425675S

United States Patent [19]

[11] Patent Number: **Des. 425,675**

Bonder et al.

[45] Date of Patent: **** May 23, 2000**

[54] **BIRD FEEDER WITH MULTI-LEVEL ROOF**

2,392,532 1/1946 Hyde 119/57.9
4,425,873 1/1984 Rinne, Jr. 119/53

[76] Inventors: **Murray Bonder; Carol P. Bonder,**
both of 104 Elmview Dr., Apex, N.C.
27502

Primary Examiner—Louis S. Zarfes
Assistant Examiner—Catherine R. Oliver
Attorney, Agent, or Firm—Coats & Bennett, P.L.L.C.

[**] Term: **14 Years**

[57] CLAIM

[21] Appl. No.: **29/106,583**

The ornamental design for a bird feeder with multi-level roof, as shown.

[22] Filed: **Jun. 17, 1999**

DESCRIPTION

[51] **LOC (7) Cl.** **30-03**

FIG. 1 is a perspective view of the bird feeder of the present invention.

[52] **U.S. Cl.** **D30/124**

FIG. 2 is a front elevational view of the bird feeder.

[58] **Field of Search** D30/124-128,
D30/110, 111; 119/52.2, 52.3, 53, 57.8,
57.9, 51.01, 428, 429

FIG. 3 is a side elevational view of one side of the bird feeder.

[56] References Cited

FIG. 4 is a rear elevational view of the bird feeder.

U.S. PATENT DOCUMENTS

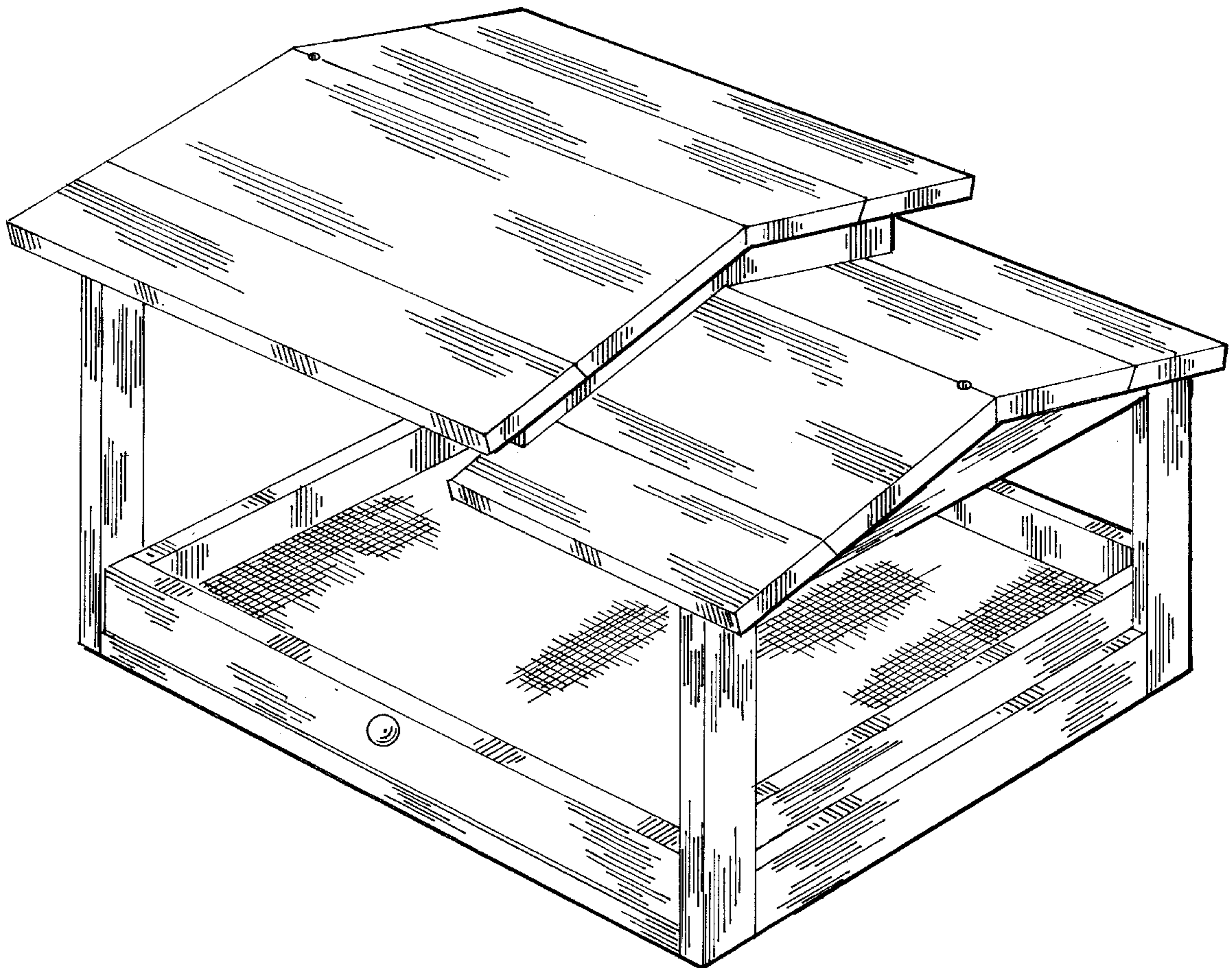
FIG. 5 is a side elevational view of the other side of the bird feeder.

D. 120,350	5/1940	Moore	D30/124
D. 249,075	8/1978	Platt	D30/124
D. 252,046	6/1979	Beller	D30/124
D. 355,055	1/1995	Hardison	D30/124

FIG. 6 is a top plan view of the bird feeder; and,

FIG. 7 is a bottom plan view of the bird feeder.

1 Claim, 5 Drawing Sheets



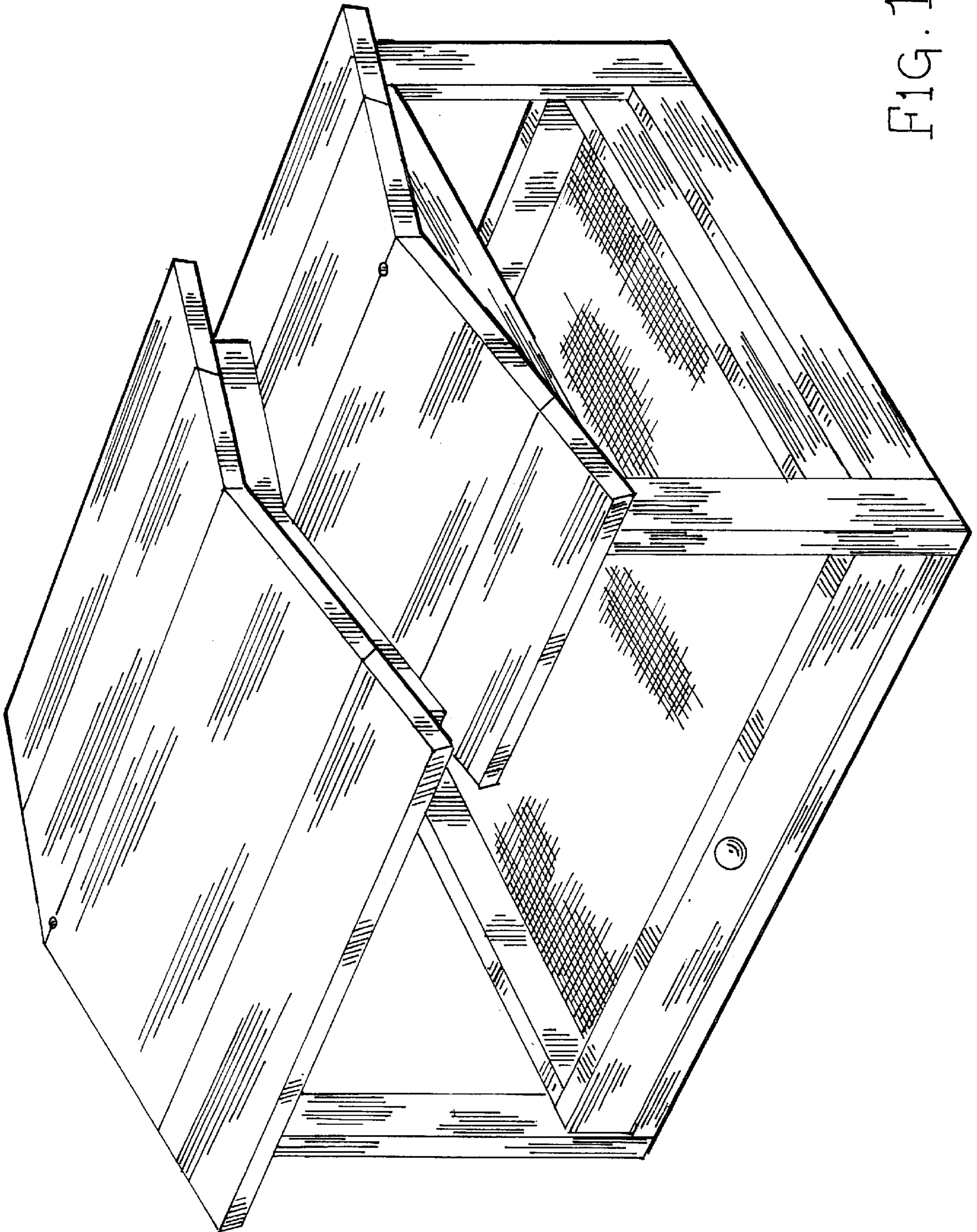


FIG. 1

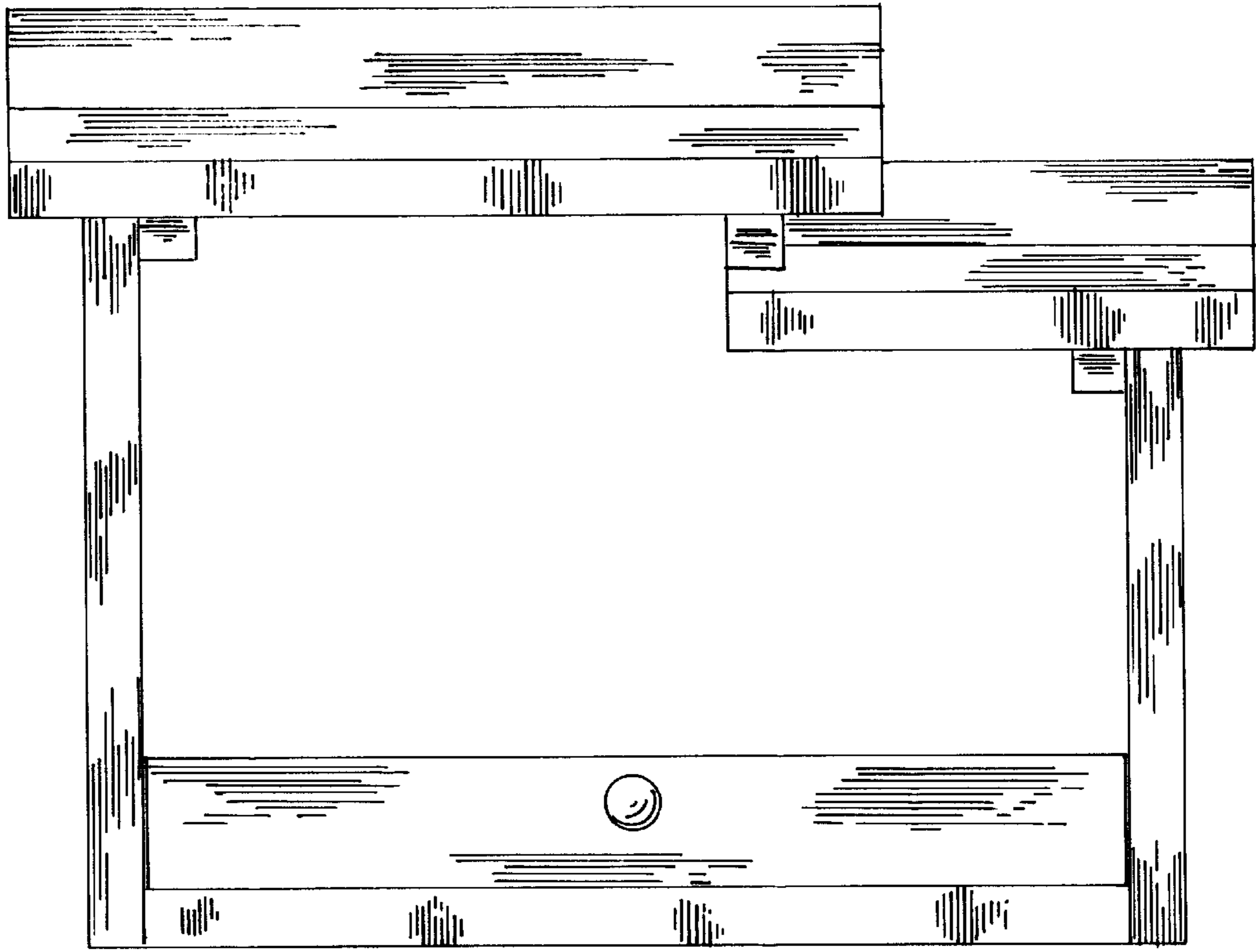


FIG. 2

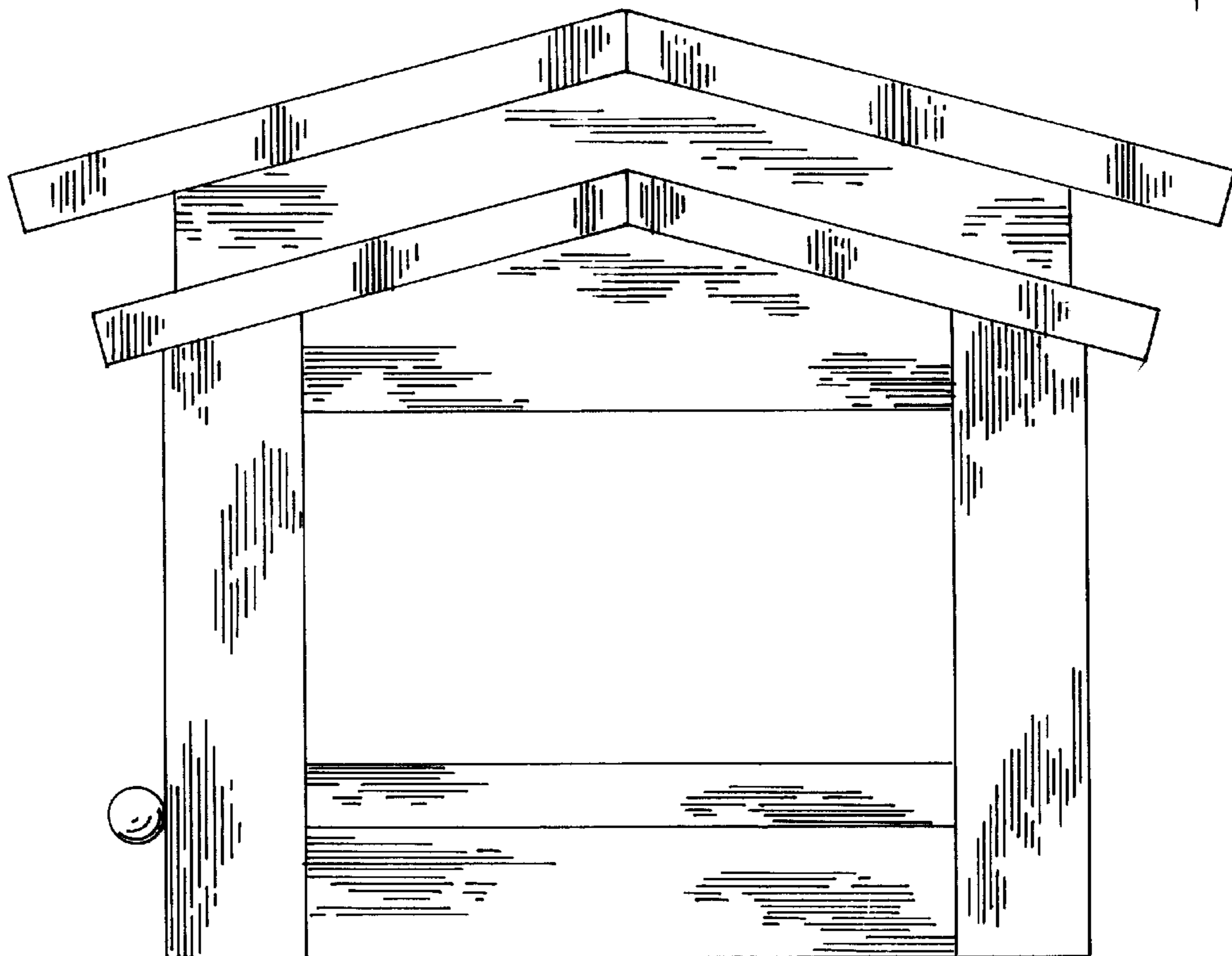


FIG. 3

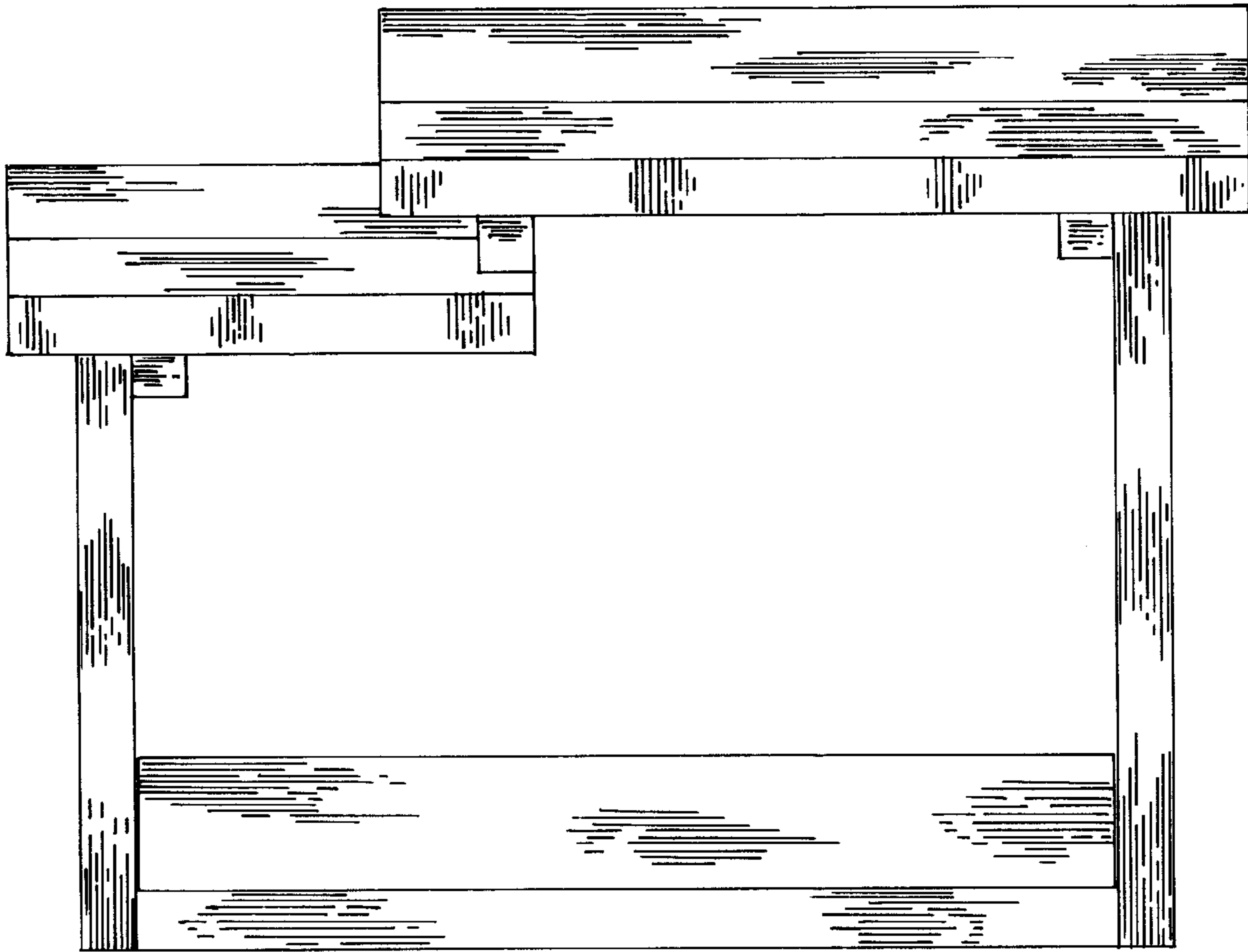


Fig. 4

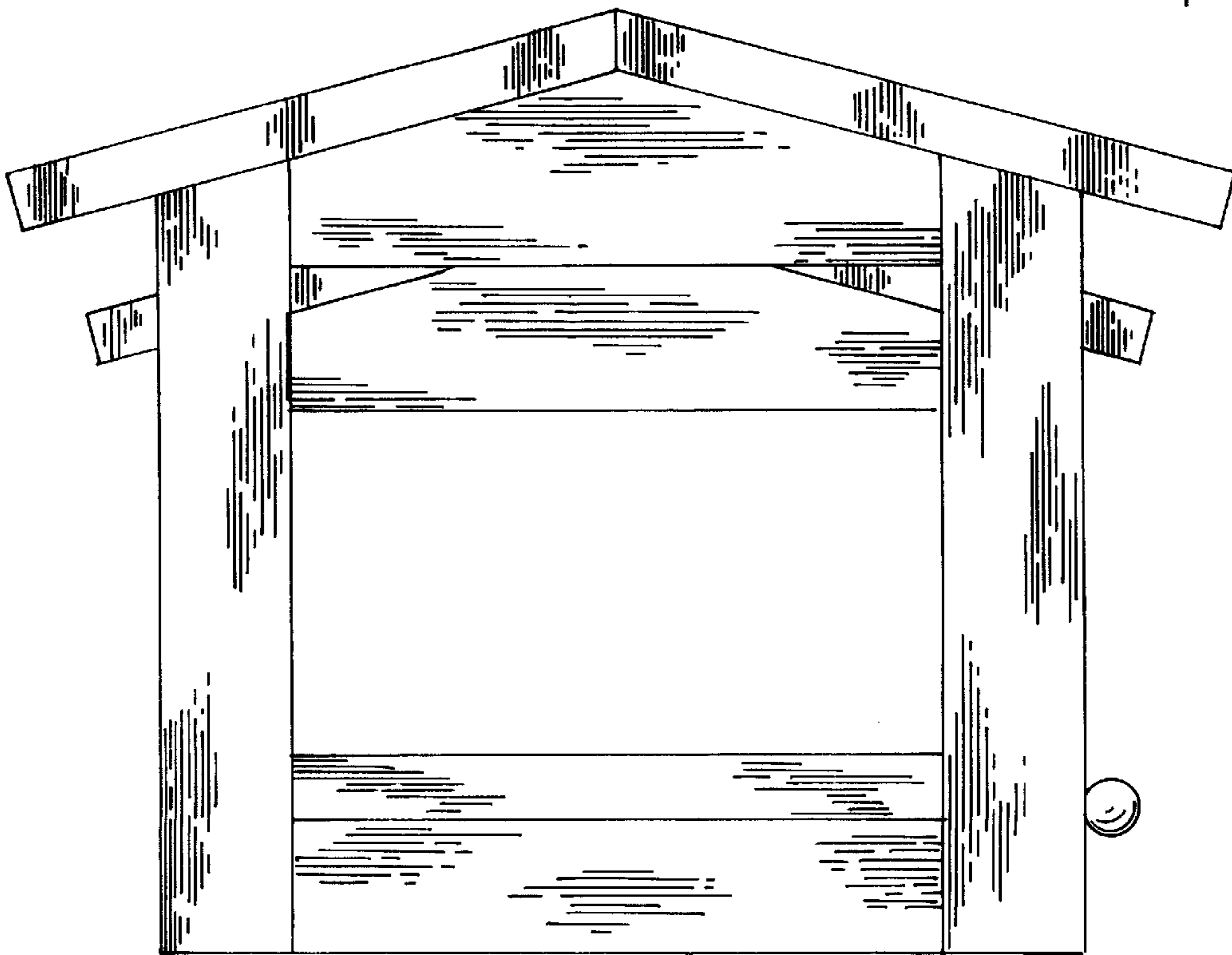


Fig. 5

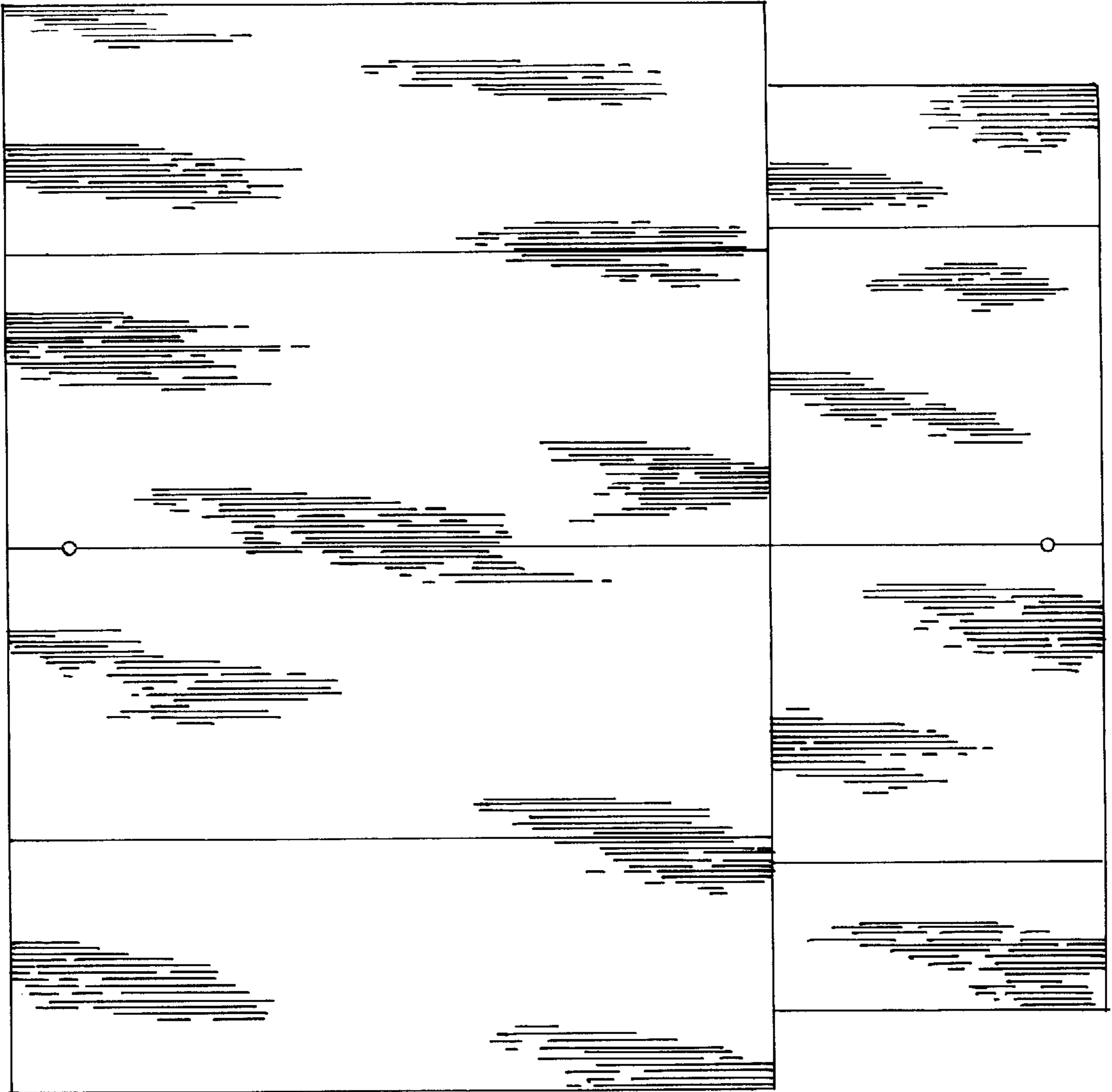


FIG. 6

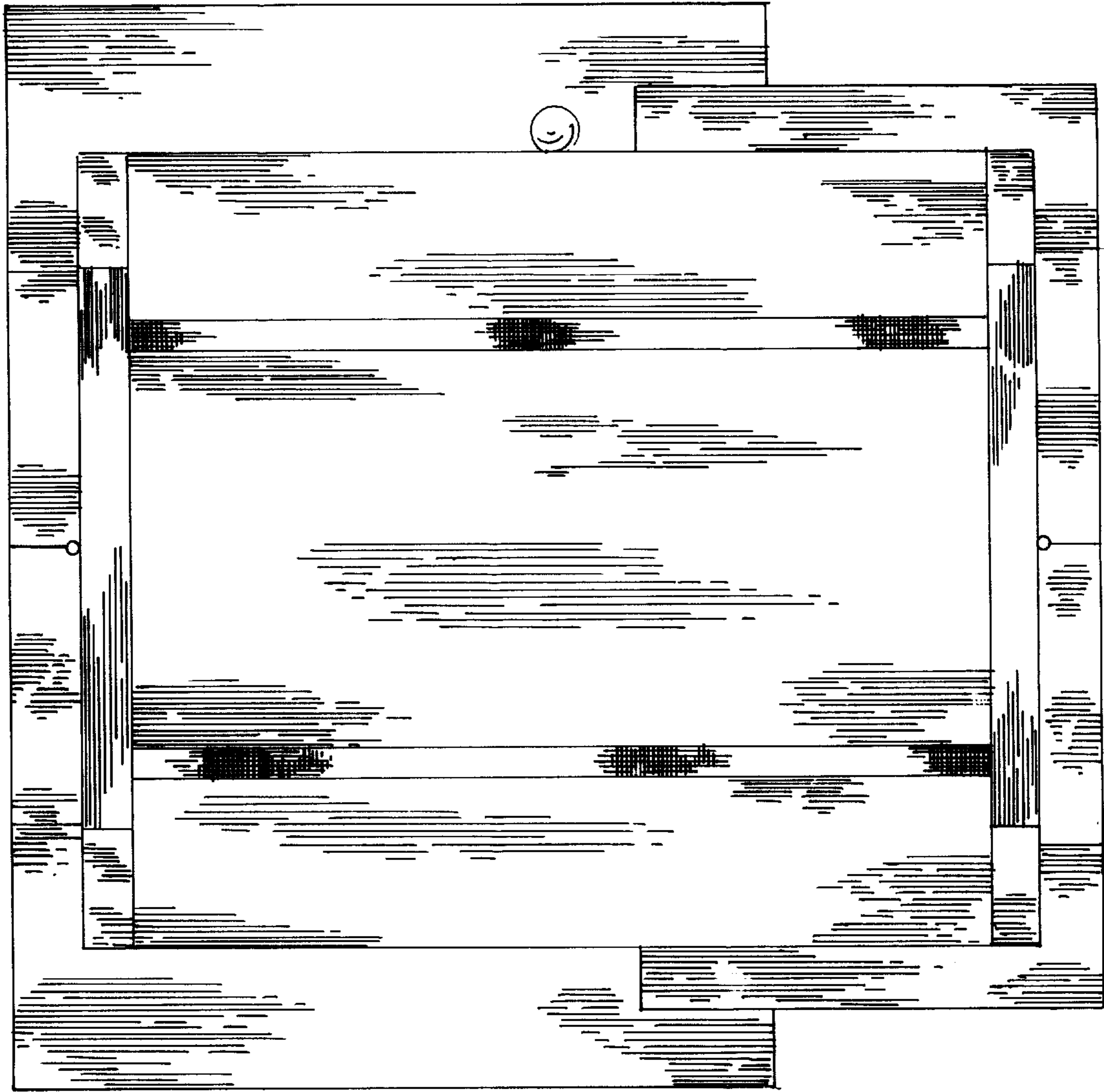


Fig. 7