



US00D425669S

# United States Patent [19] Gavin

[11] **Patent Number: Des. 425,669**

[45] **Date of Patent: \*\* May 23, 2000**

[54] **CONTAINER WITHOUT CAP**

[75] Inventor: **Ellen Gavin**, Atlantic Highlands, N.J.

[73] Assignee: **L'Oreal S.A.**, Paris, France

[\*\*] Term: **14 Years**

[21] Appl. No.: **29/101,808**

[22] Filed: **Mar. 11, 1999**

[51] **LOC (7) Cl. .... 28-03**

[52] **U.S. Cl. .... D28/85**

[58] **Field of Search .... D28/7, 76, 77,  
D28/85-90; 132/317, 318, 320; 401/61-98,  
55**

[56] **References Cited**

**U.S. PATENT DOCUMENTS**

D. 245,398	8/1977	Grodin	.....	D9/529
D. 271,337	11/1983	Holloway	.....	D28/85
D. 279,510	7/1985	Kairawicz	.....	D28/85
D. 334,083	3/1993	Davis	.....	D28/85
D. 353,333	12/1994	McIlvain	.....	D9/529
D. 377,848	2/1997	Gavin	.....	D28/85
D. 410,570	6/1999	Lerolle	.....	D28/85
4,983,059	1/1991	Holloway	.....	401/78

**OTHER PUBLICATIONS**

Beauty Fashion Aug. 1984, p. 96: lipstick case on upper left, Jun. 1992.

Glamour, Mar. 1995, p. 45: lipstick cases.

Essence Sep. 1998, p. 23: lipstick case.

*Primary Examiner*—Ted Shooman

*Assistant Examiner*—C Tuttle

*Attorney, Agent, or Firm*—Baker Botts L.L.P.

[57] **CLAIM**

The ornamental design for a container without cap, as shown and described.

**DESCRIPTION**

FIG. 1 is a three-dimensional perspective view of the container without cap of the present invention;

FIG. 2 is a front view of the container of the present invention;

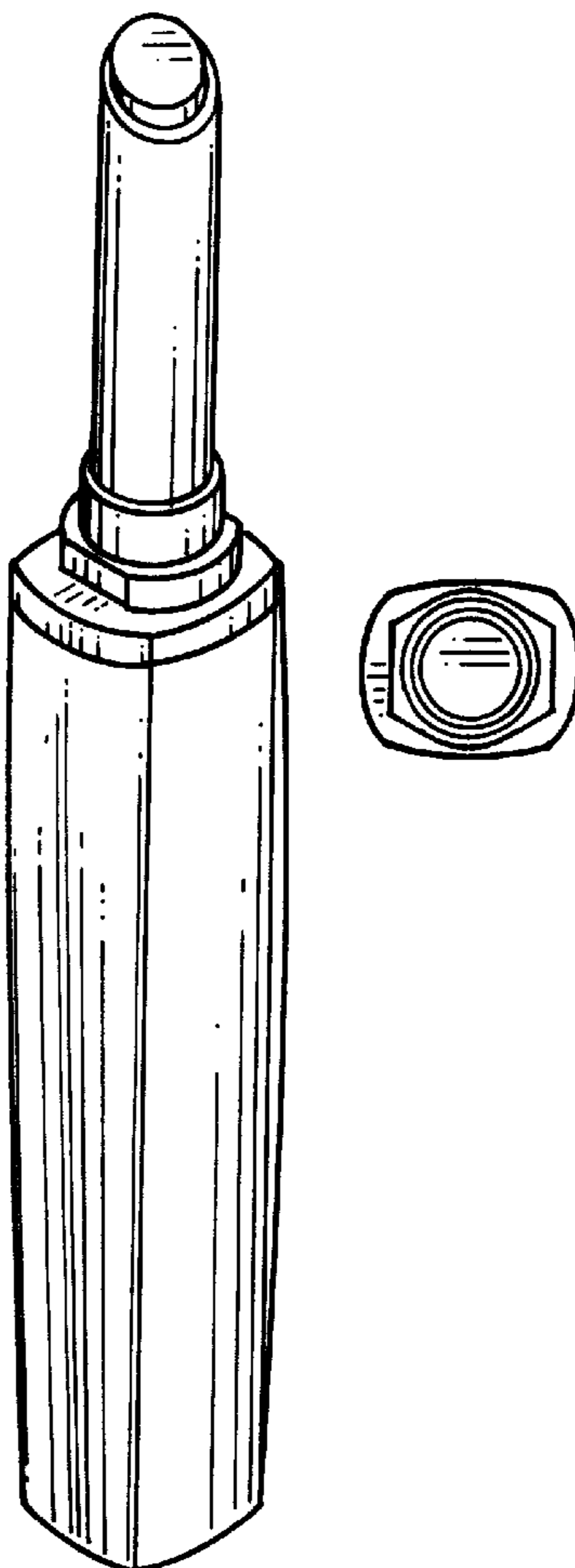
FIG. 3 is a top view of the container of the present invention;

FIG. 4 is a bottom view of the container of the present invention;

FIG. 5 is a right side view of the container of the present invention; and,

FIG. 6 is a back view of the container of the present invention.

**1 Claim, 1 Drawing Sheet**



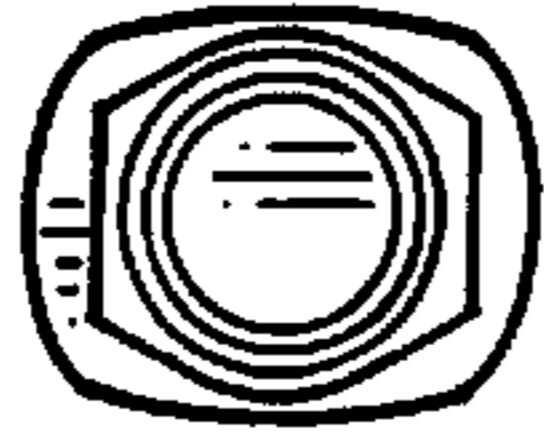


FIG. 3

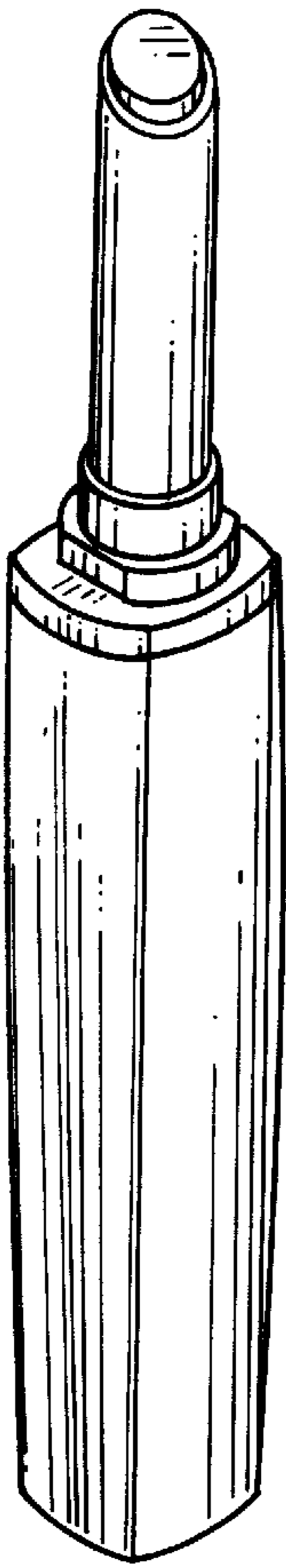


FIG. 1

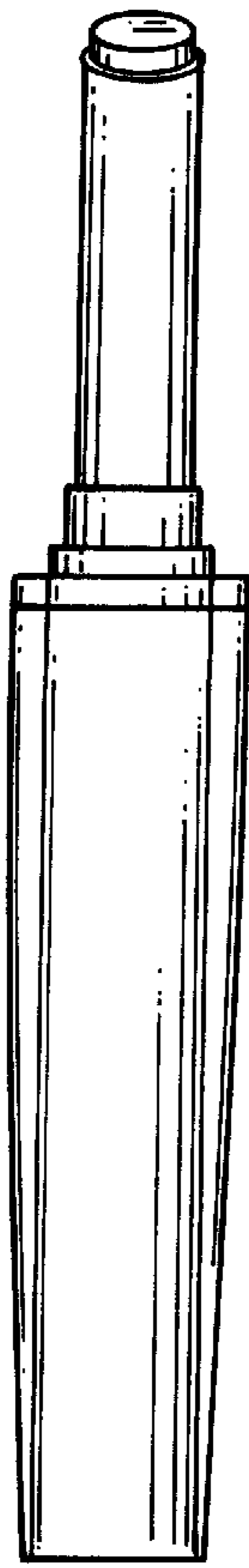


FIG. 2

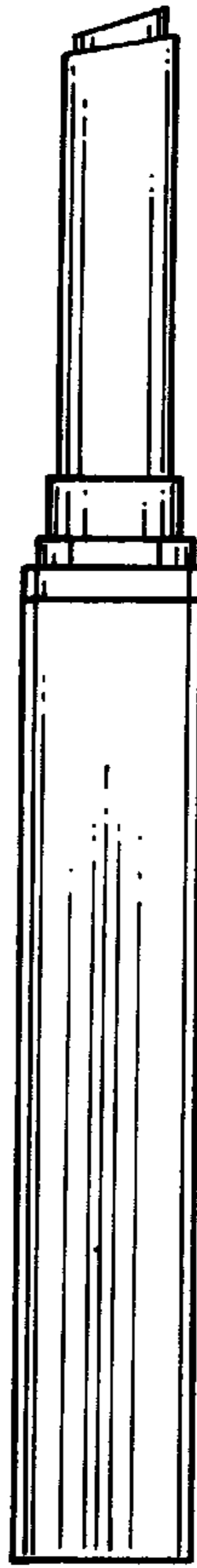


FIG. 5

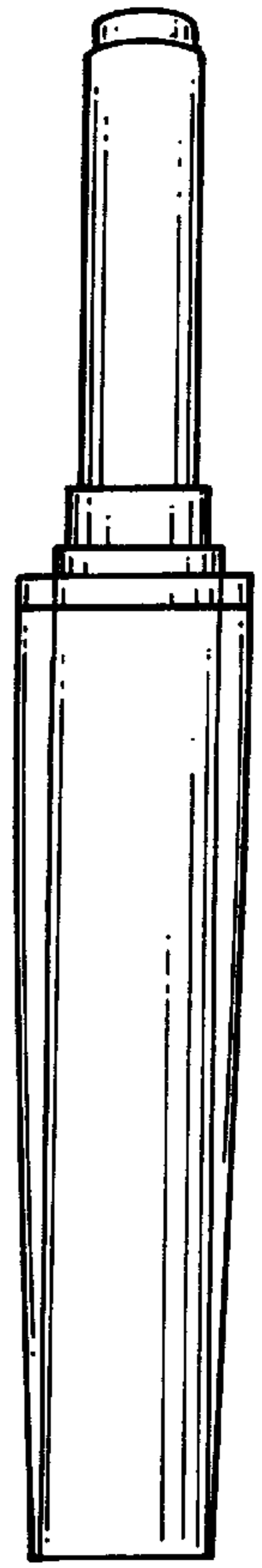


FIG. 6



FIG. 4