



US00D425664S

**United States Patent** [19]  
**Elkerbout**

[11] **Patent Number: Des. 425,664**

[45] **Date of Patent: \*\* May 23, 2000**

[54] **HAIR DRYER**

[75] Inventor: **Marten Frans Elkerbout**, Groningen, Netherlands

[73] Assignee: **U.S. Philips Corporation**, New York, N.Y.

[\*\*] Term: **14 Years**

[21] Appl. No.: **29/107,159**

[22] Filed: **Jun. 29, 1999**

[30] **Foreign Application Priority Data**

Jan. 7, 1999 [XH] Hague Agreement ..... DMA/004 345

[51] **LOC (7) Cl.** ..... **28-03**

[52] **U.S. Cl.** ..... **D28/13**

[58] **Field of Search** ..... D28/12-19; D23/332; 34/96-101; 392/379-385

[56] **References Cited**

**U.S. PATENT DOCUMENTS**

D. 380,540 7/1997 Seatvet et al. .... D28/13 X  
4,605,019 8/1986 Reynolds et al. .... 34/96 X

*Primary Examiner*—Terry A. Wallace  
*Attorney, Agent, or Firm*—Ernestine C. Bartlett

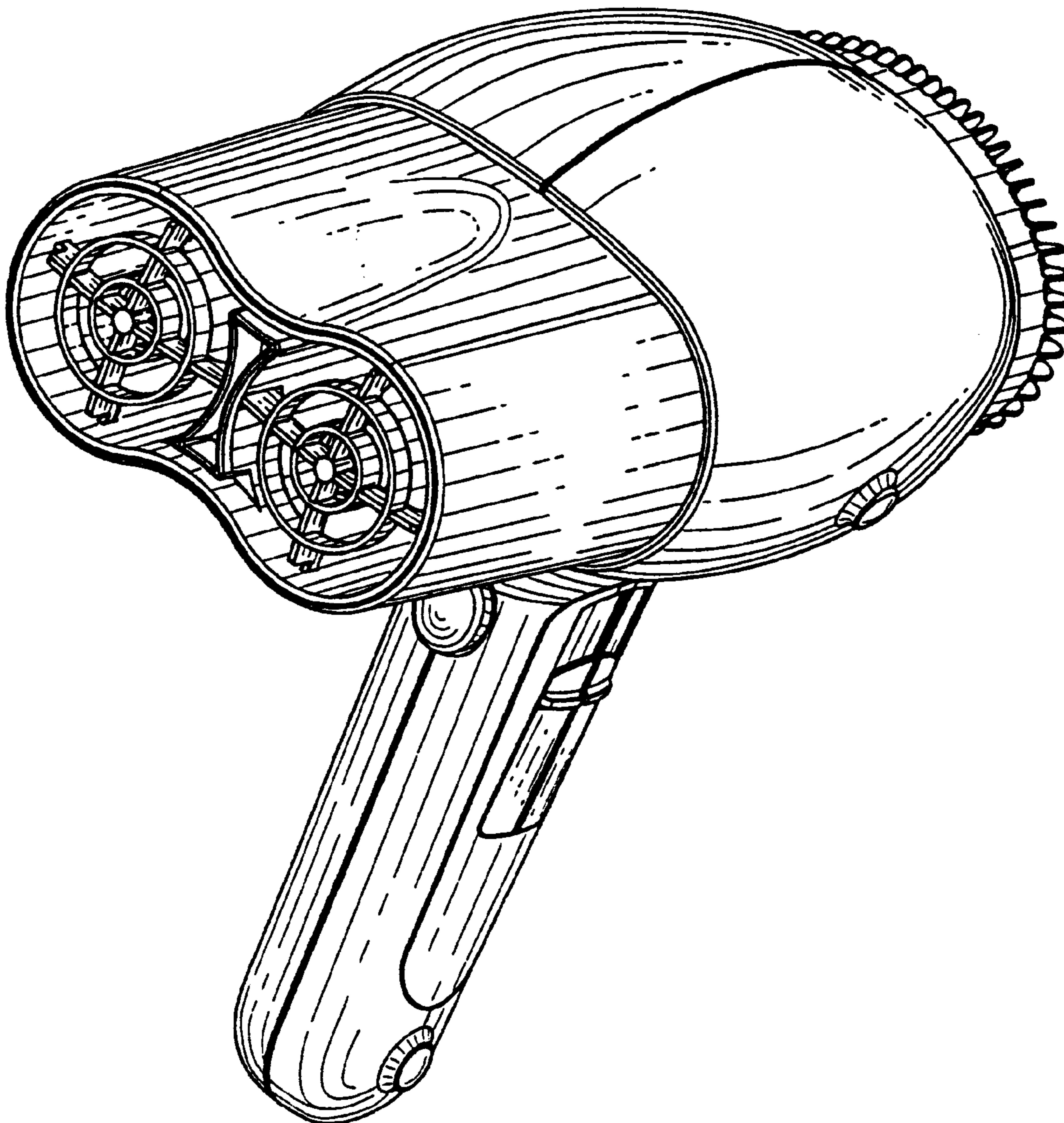
[57] **CLAIM**

The ornamental design for a hair dryer, as shown.

**DESCRIPTION**

FIG. 1 is a perspective view showing my design;  
FIG. 2 is a front elevational view thereof;  
FIG. 3 is a rear elevational view thereof;  
FIG. 4 is a right side elevational view thereof;  
FIG. 5 is a left side elevational view thereof;  
FIG. 6 is a top plan view thereof; and,  
FIG. 7 is a bottom plan view thereof.

**1 Claim, 6 Drawing Sheets**



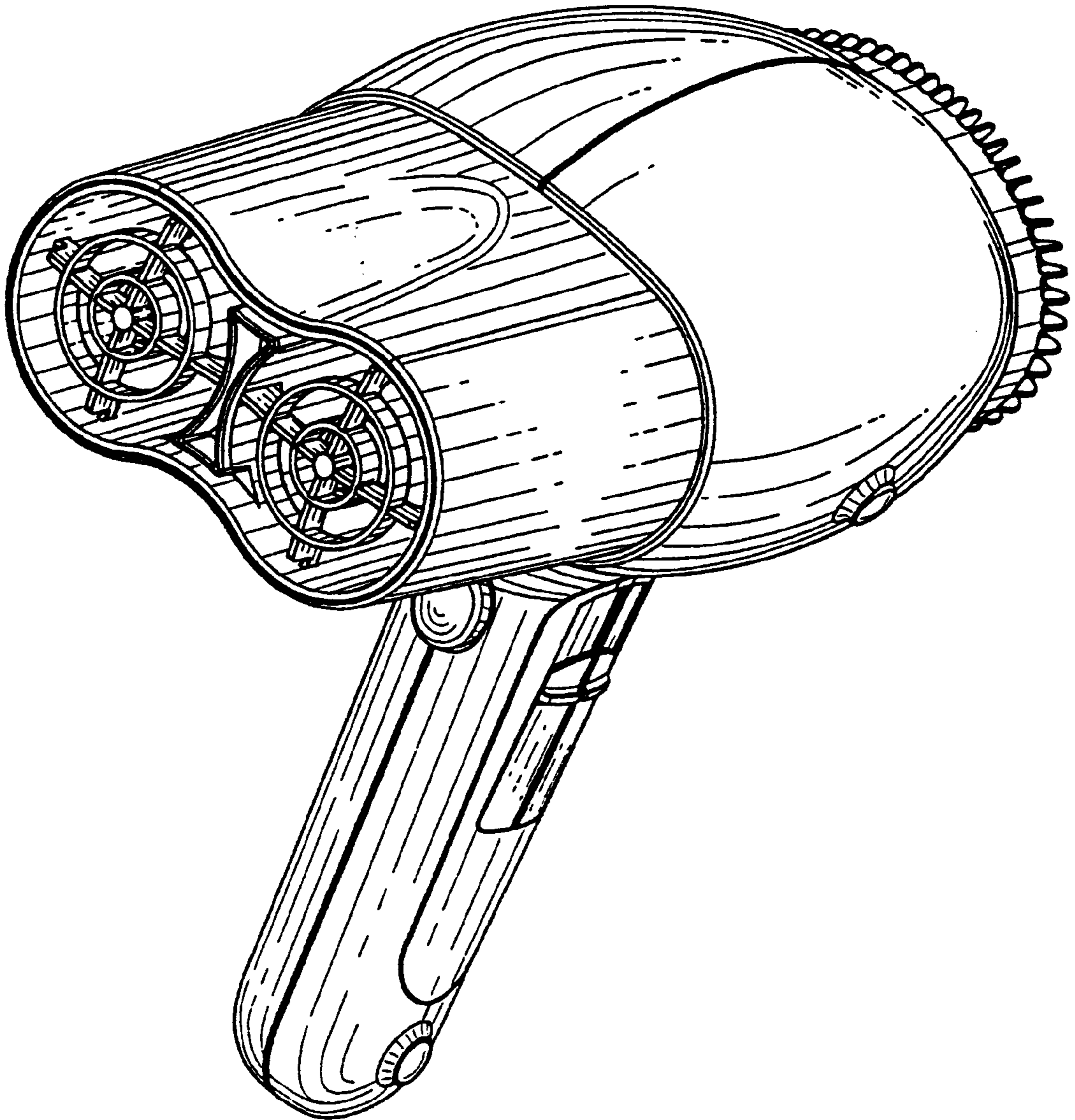


FIG. 1

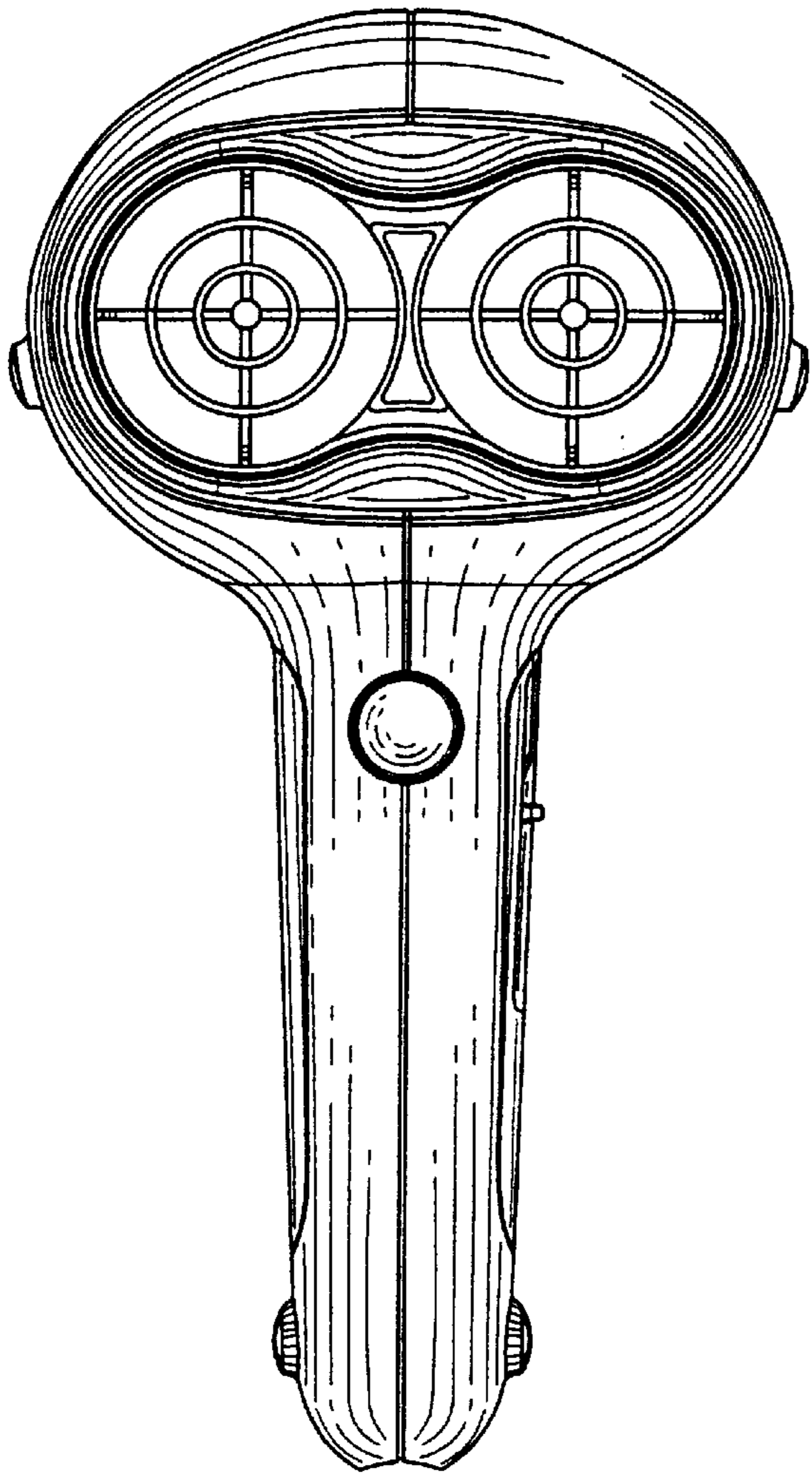


FIG. 2

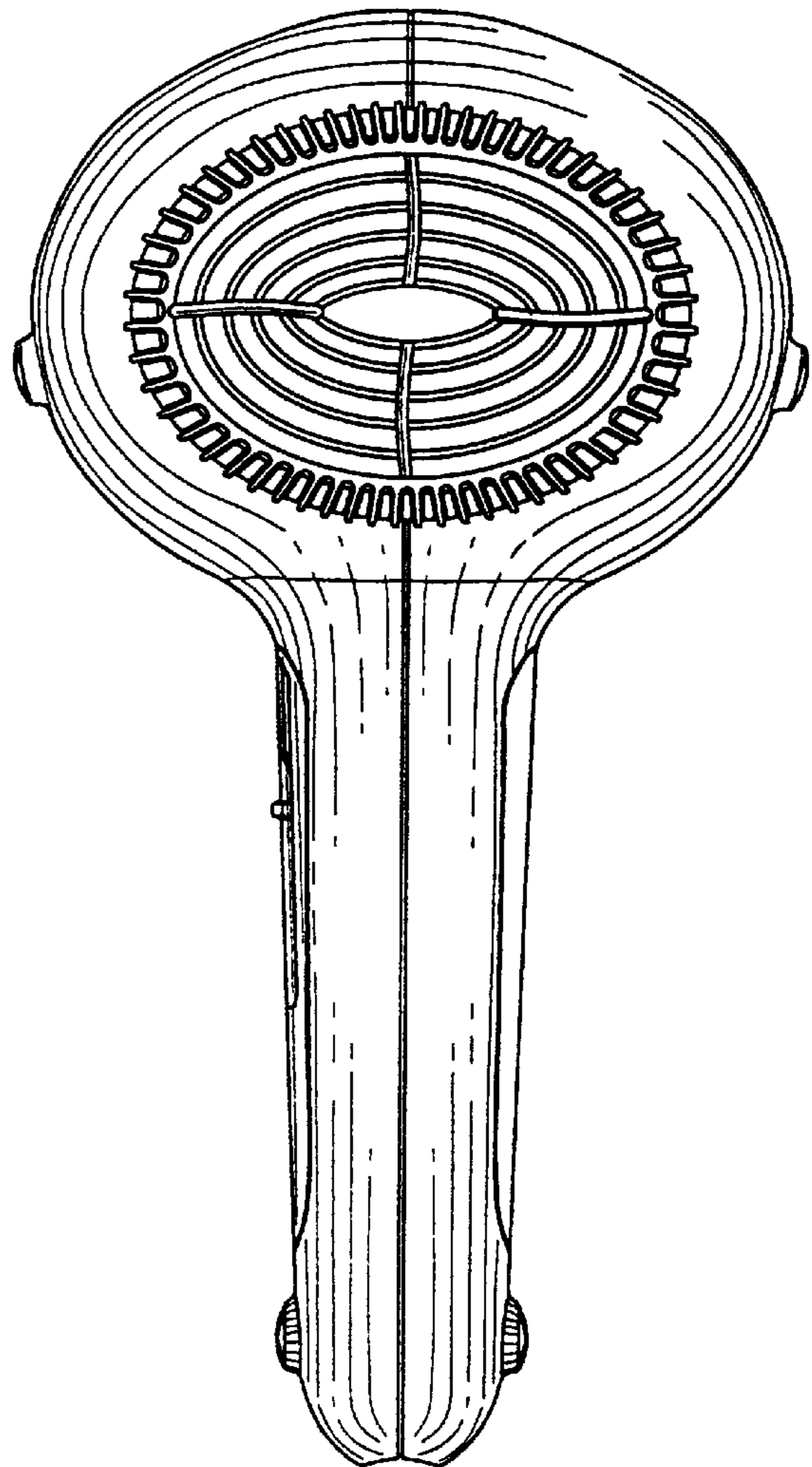


FIG. 3

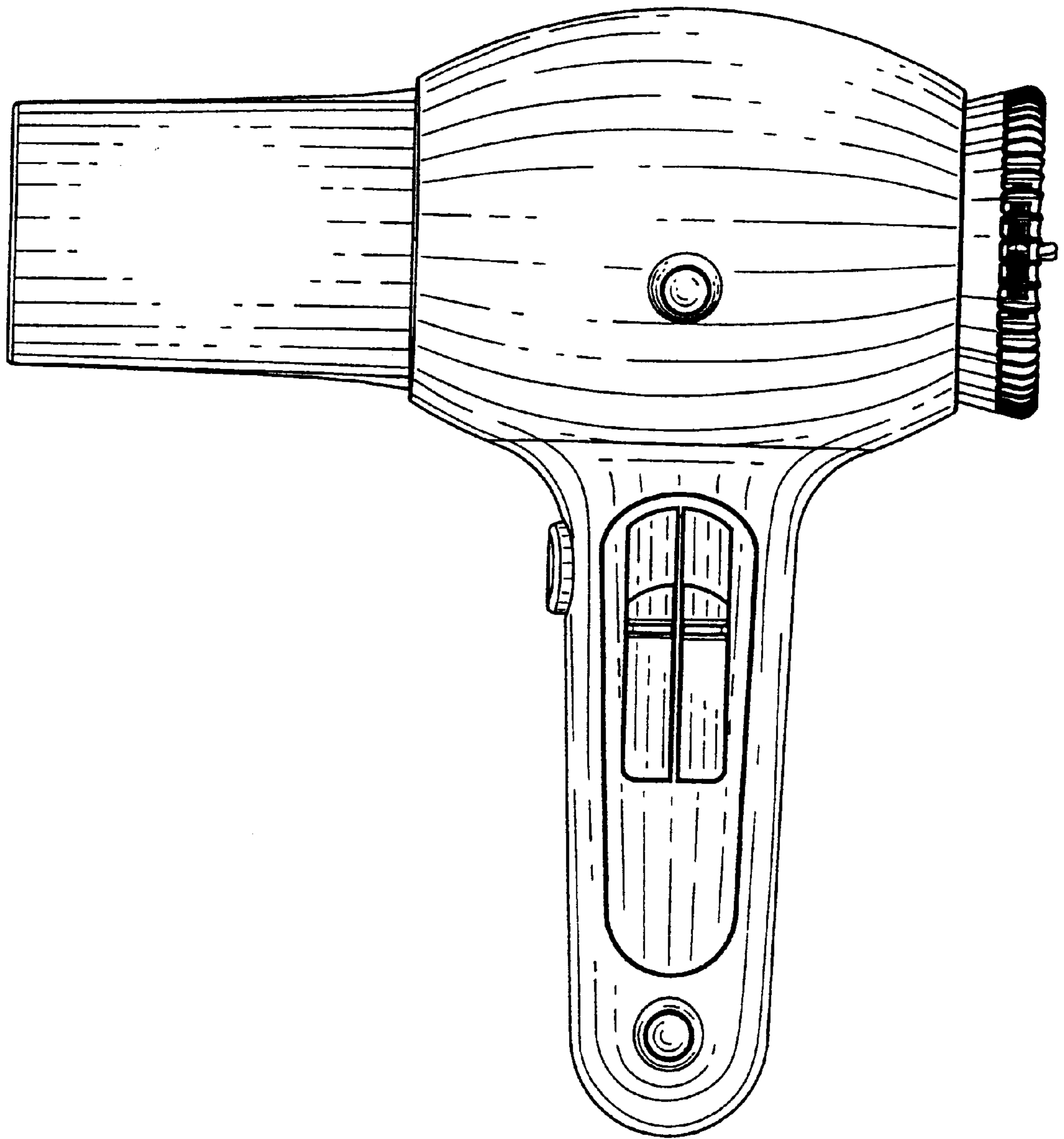


FIG. 4

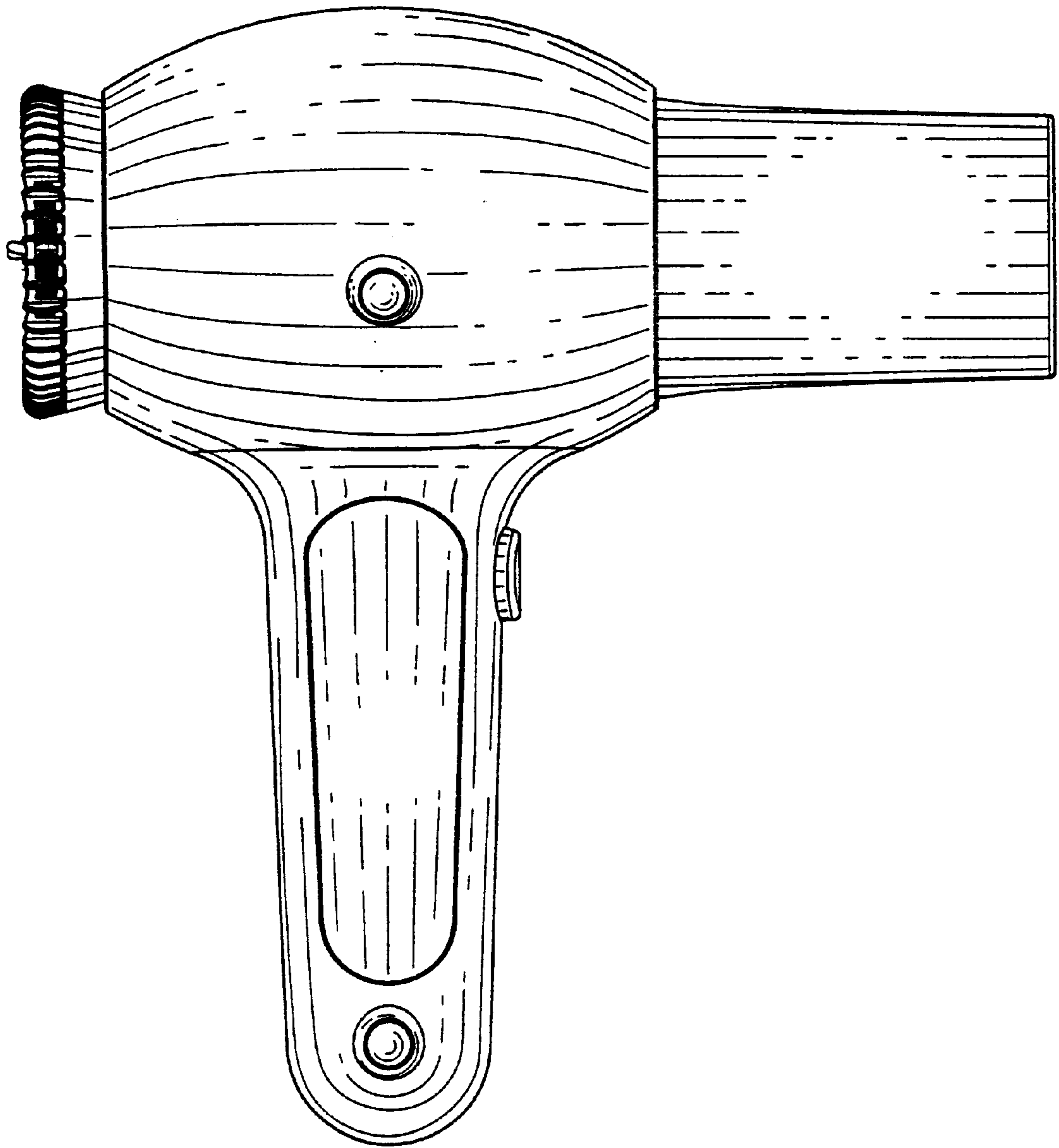


FIG. 5

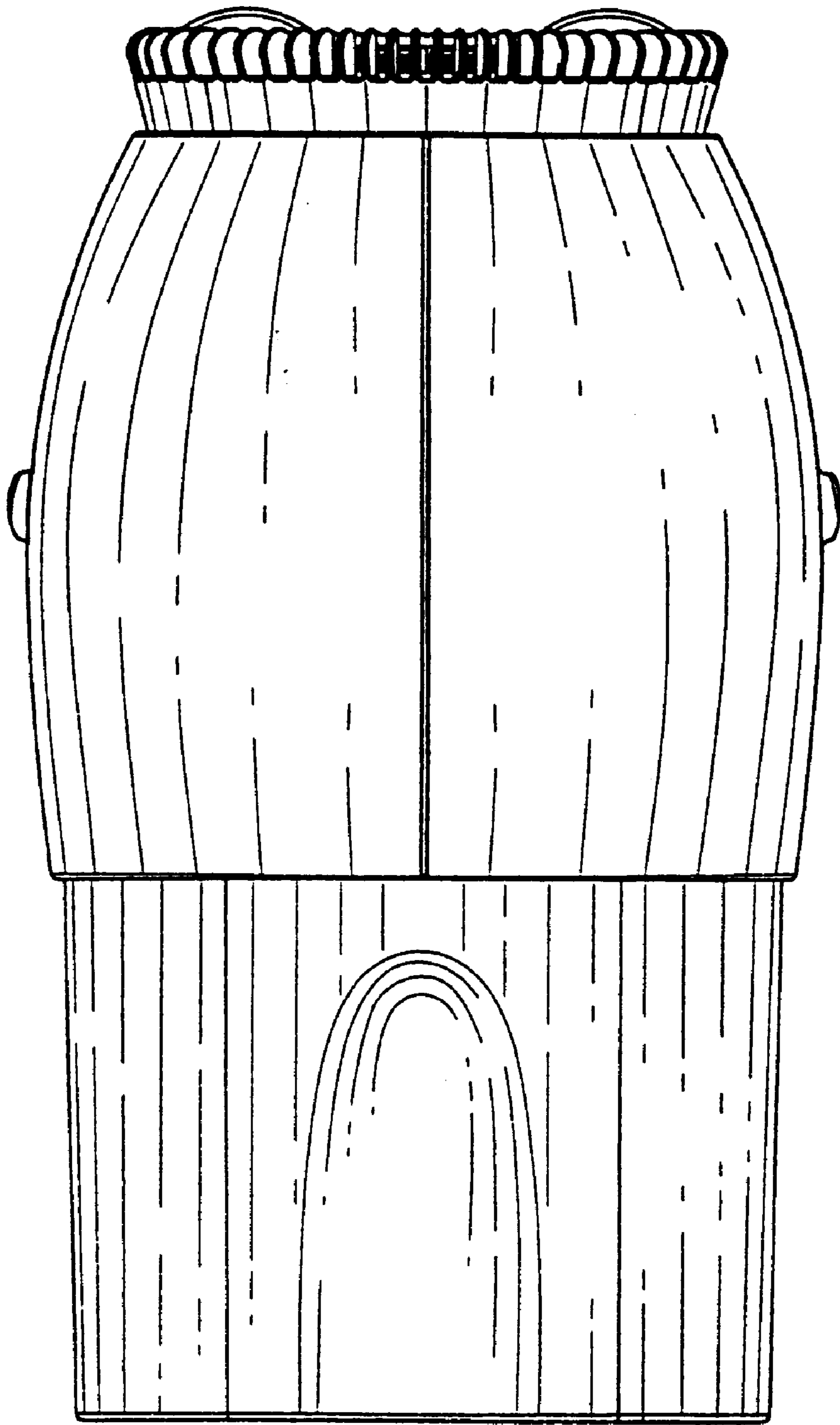


FIG. 6

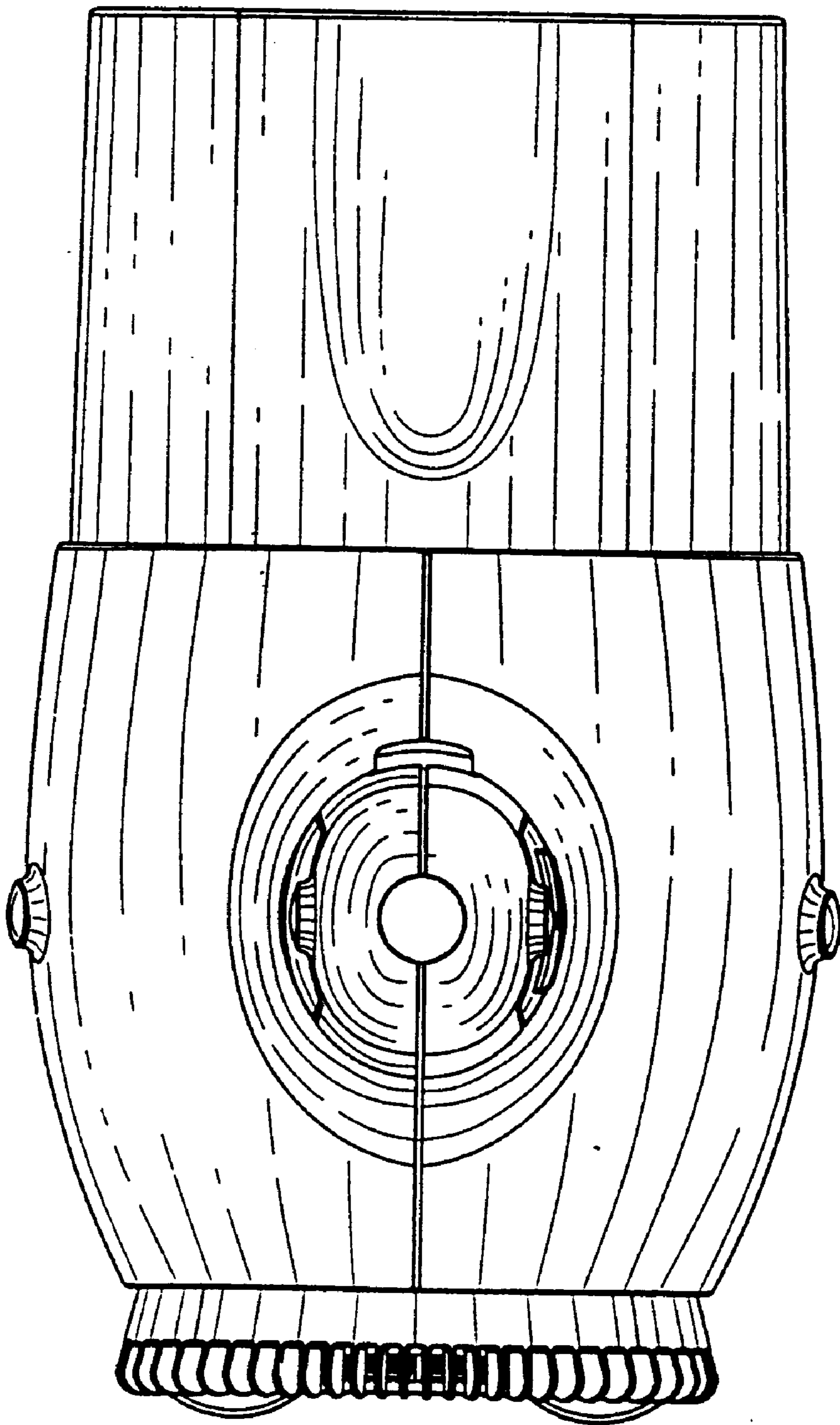


FIG. 7