



US00D425662S

United States Patent [19] Cheung

[11] Patent Number: **Des. 425,662**

[45] Date of Patent: **** May 23, 2000**

[54] **HAIR DRYER**

4,918,289 4/1990 Powleit 392/379
5,448,677 9/1995 Fell 392/383

[75] Inventor: **Chun-Kong Cheung**, Kowloon, The Hong Kong Special Administrative Region of the People's Republic of China

Primary Examiner—Terry A. Wallace
Attorney, Agent, or Firm—Jacobson, Price, Holman & Stern, PLLC

[73] Assignee: **Gee (HK) Company Limited**, Kowloon, The Hong Kong Special Administrative Region of the People's Republic of China

[57] **CLAIM**

The ornamental design for a hair dryer, as shown and described.

[**] Term: **14 Years**

DESCRIPTION

[21] Appl. No.: **29/099,481**

FIG. 1 is a side view showing my new design for a hair dryer, the opposite side being a mirror image thereof;

[22] Filed: **Jan. 22, 1999**

FIG. 2 is a front view thereof;

[51] **LOC (7) Cl.** **28-03**

[52] **U.S. Cl.** **D28/13**

FIG. 3 is a back view thereof;

[58] **Field of Search** D28/12-19; D23/332; 34/96-101; 392/379-385

FIG. 4 is a top view thereof; and,

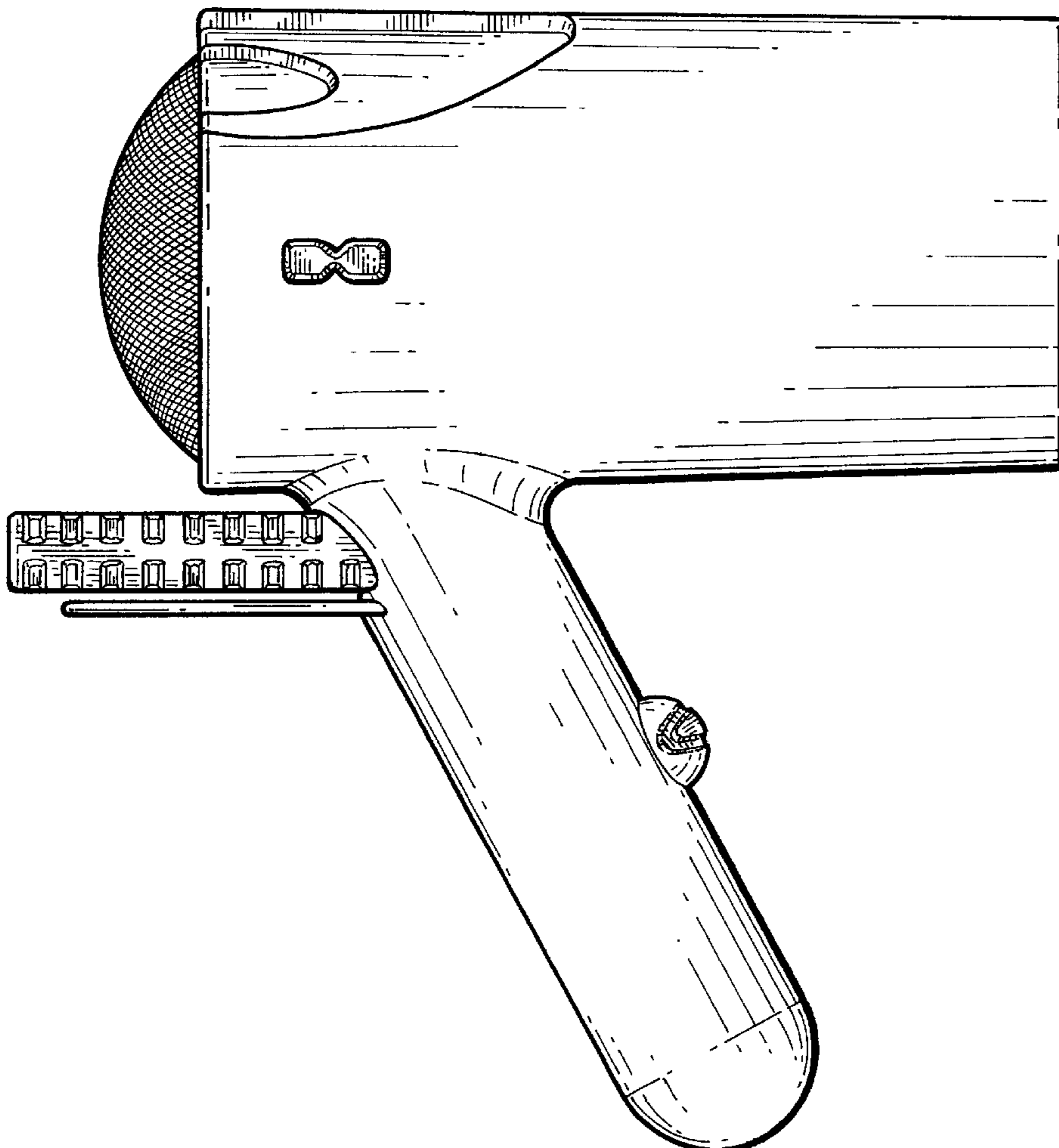
FIG. 5 is a bottom view thereof.

[56] **References Cited**

U.S. PATENT DOCUMENTS

4,658,116 4/1987 Tsang et al. 392/385

1 Claim, 3 Drawing Sheets



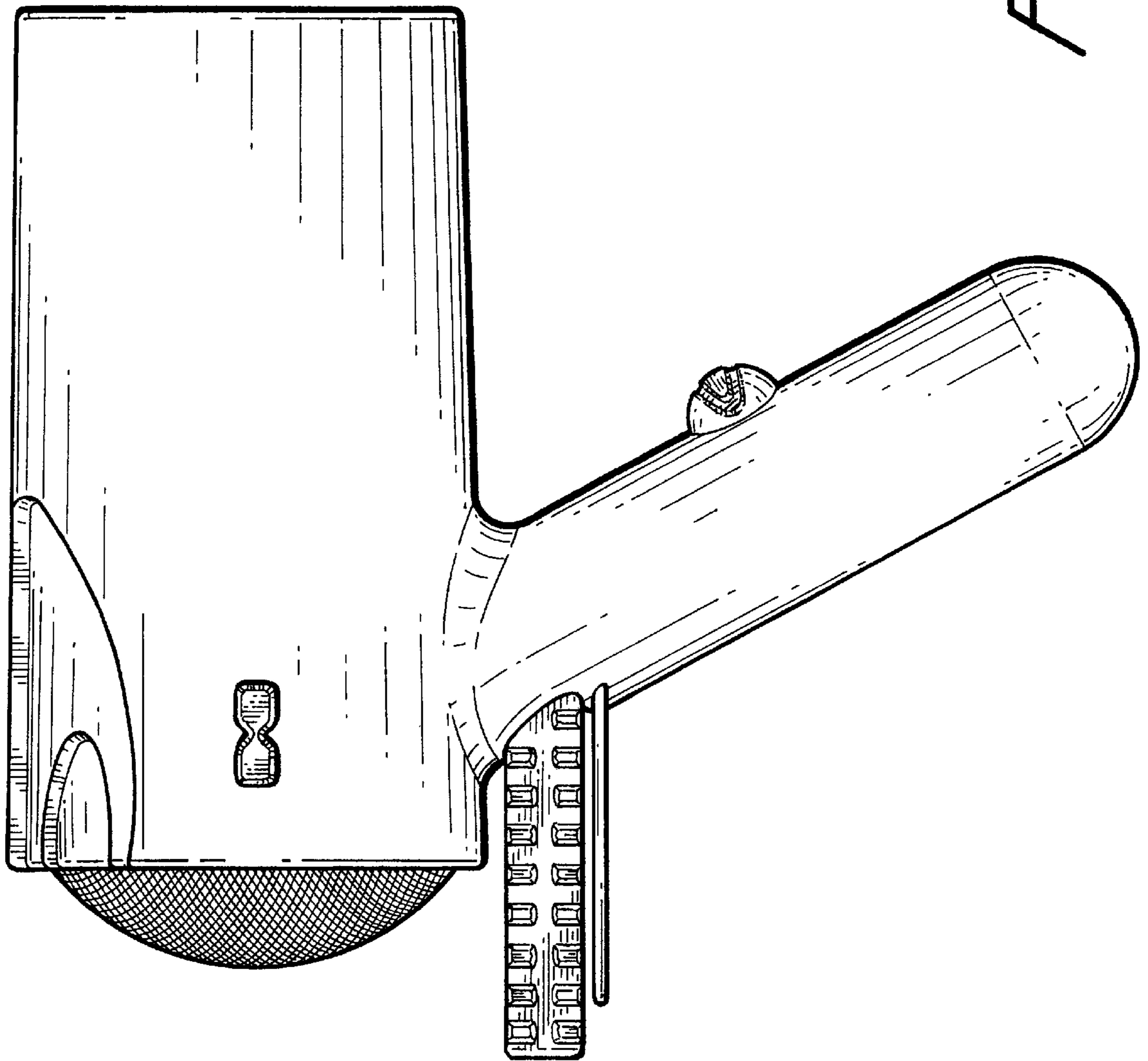


FIG. 1

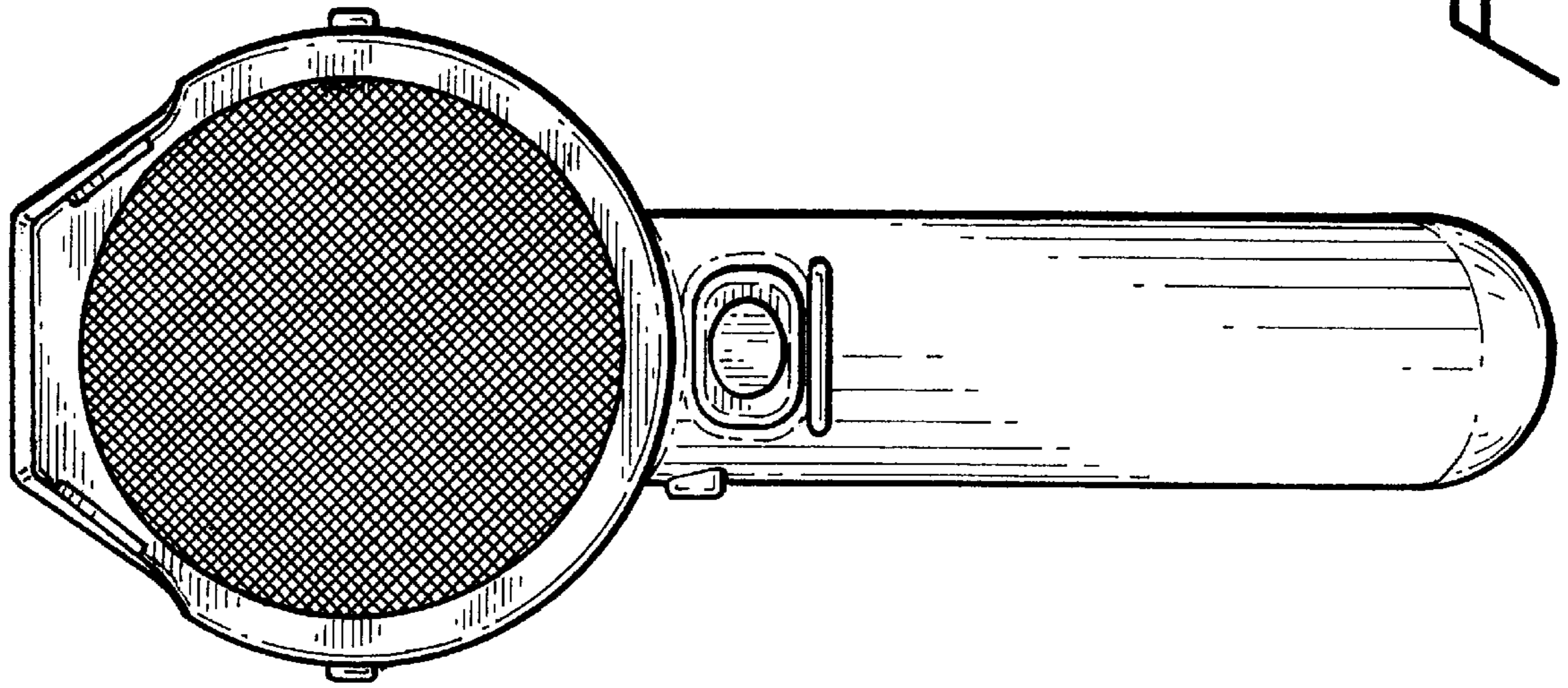


FIG. 3

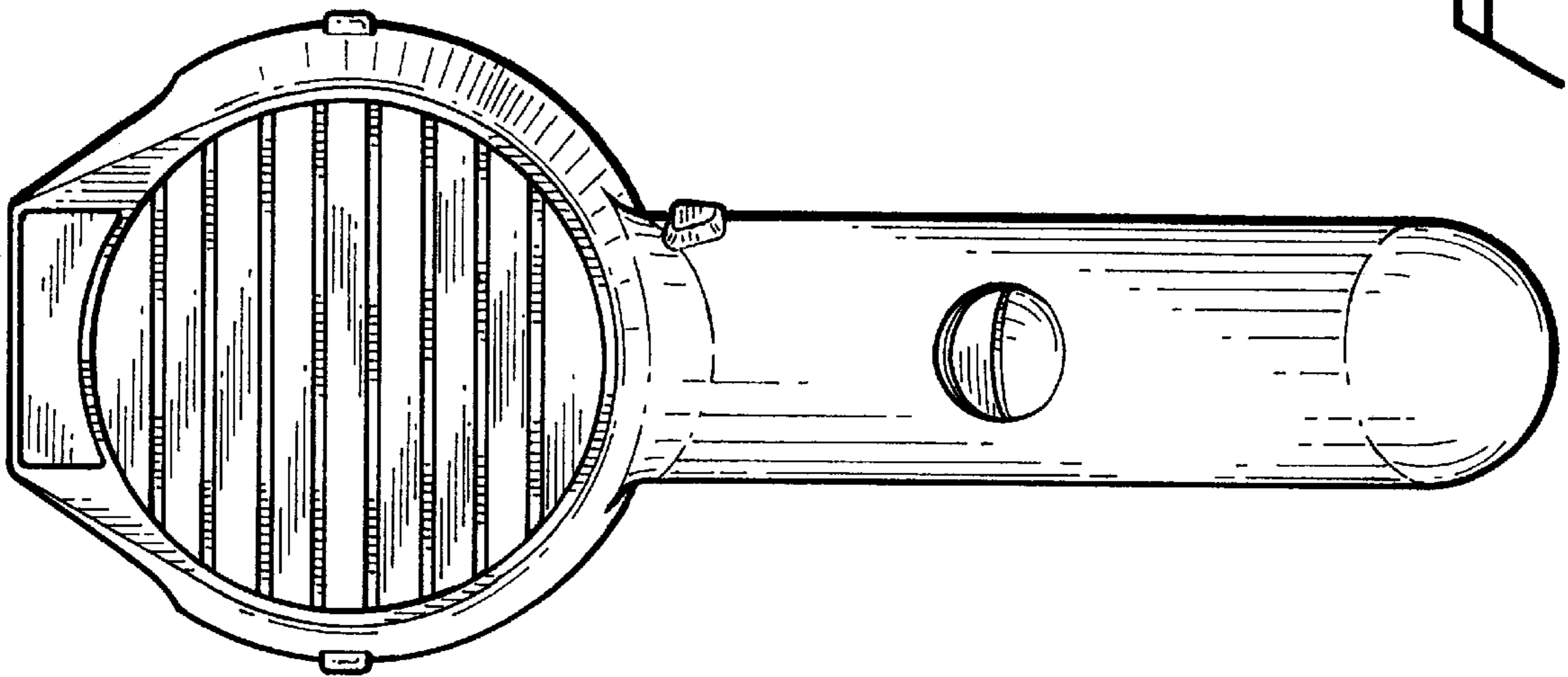


FIG. 2

FIG. 4

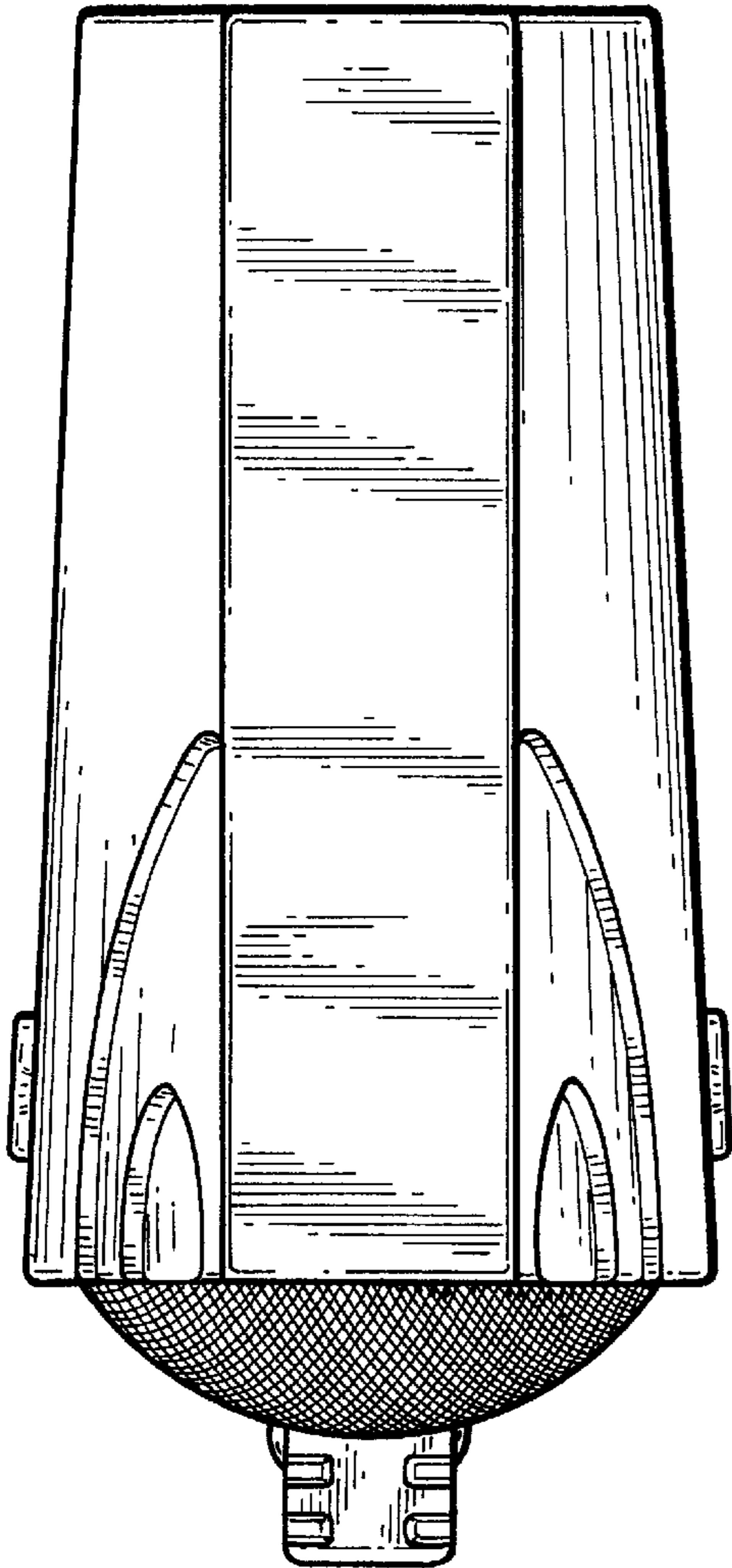


FIG. 5

