



US00D425659S

**United States Patent** [19]  
**Larocque**

[11] **Patent Number: Des. 425,659**

[45] **Date of Patent: \*\* May 23, 2000**

[54] **LOTION APPLICATOR**

D. 416,645 11/1999 Spudeno ..... D28/7  
5,158,532 10/1992 Peng ..... 15/244.1

[76] Inventor: **Friederika A Larocque**, 302 1281 9th Avenue, Kamloops, BC, Canada, V2C 3X4

*Primary Examiner*—Raphael Barkai

[\*\*] Term: **14 Years**

[57] **CLAIM**

The ornamental design for a lotion applicator, as shown.

[21] Appl. No.: **29/105,235**

**DESCRIPTION**

[22] Filed: **May 20, 1999**

FIG. 1 is a rear elevational view of the lotion applicator of the present invention;

[51] **LOC (7) Cl.** ..... **28-02**

FIG. 2 is a front elevational view of the lotion applicator of FIG. 1;

[52] **U.S. Cl.** ..... **D28/7**

FIG. 3 is a right side elevational view of the lotion applicator of FIG. 1;

[58] **Field of Search** ..... D28/7, 63; D4/137, D4/121; D24/119; D32/40; 15/244.1-244.4; 401/6

FIG. 4 is a left side elevational view of the lotion applicator of FIG. 1;

[56] **References Cited**

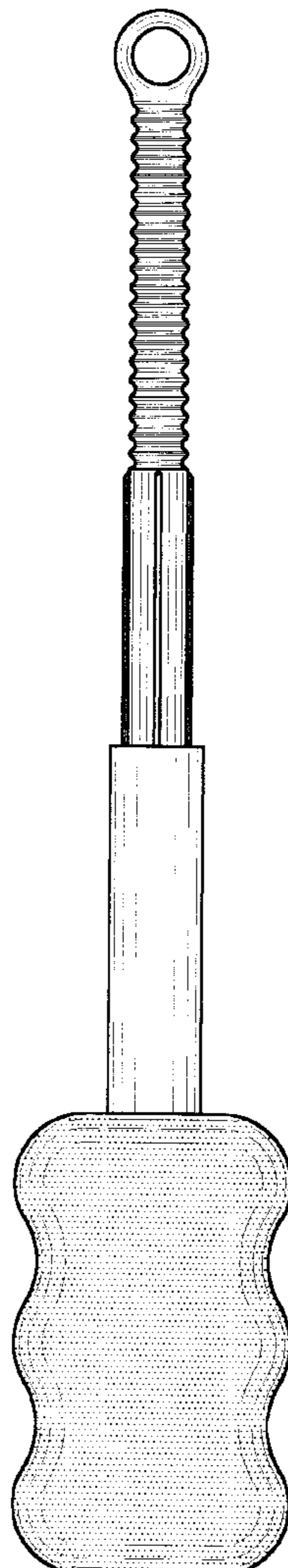
FIG. 5 is a top plan view of the lotion applicator of FIG. 1; and,

**U.S. PATENT DOCUMENTS**

FIG. 6 is a bottom plan view of the lotion applicator of FIG. 1.

- D. 394,331 5/1998 Price ..... D28/63
- D. 404,125 1/1999 Weinstein ..... D24/119
- D. 408,944 4/1999 Petschow ..... D4/137

**1 Claim, 2 Drawing Sheets**



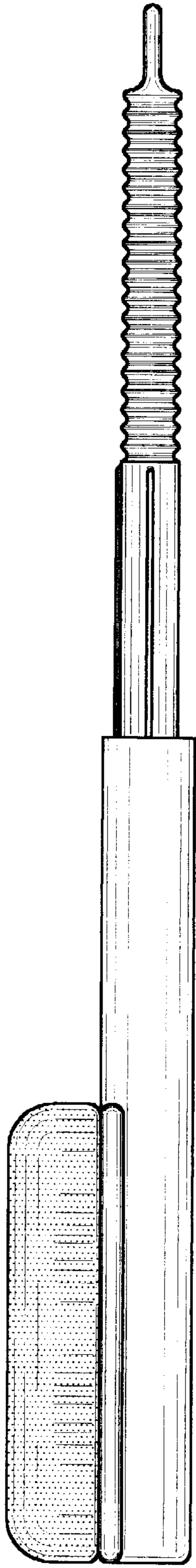


Fig. 3

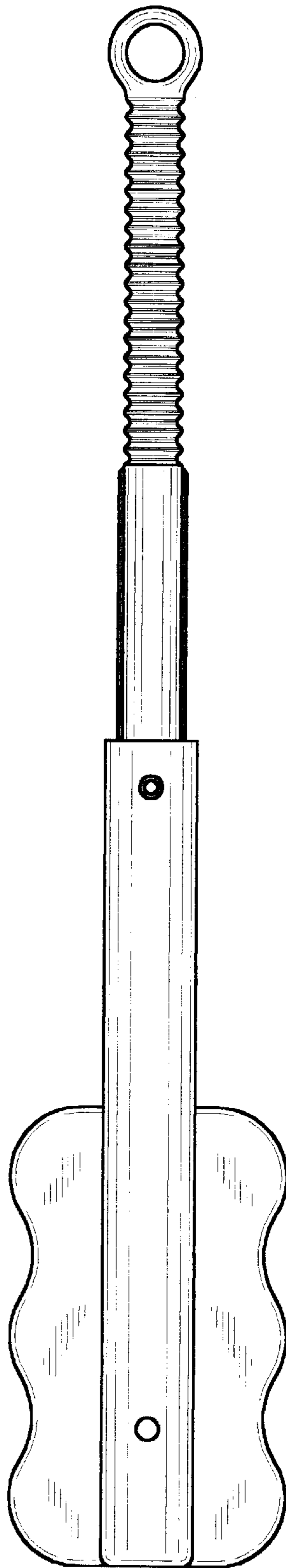


Fig. 1

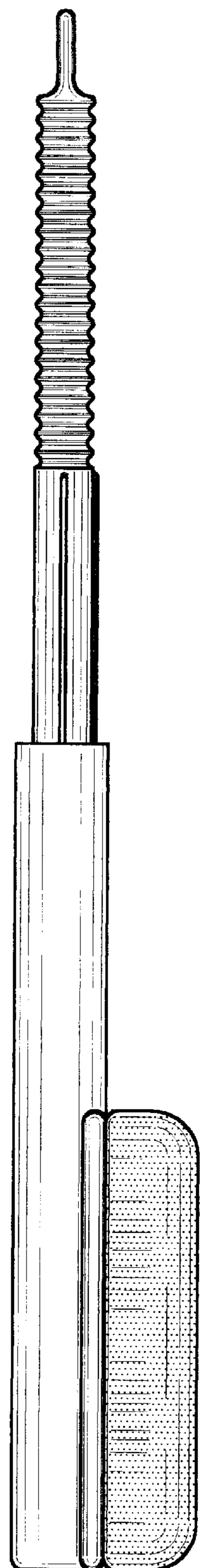


Fig. 4

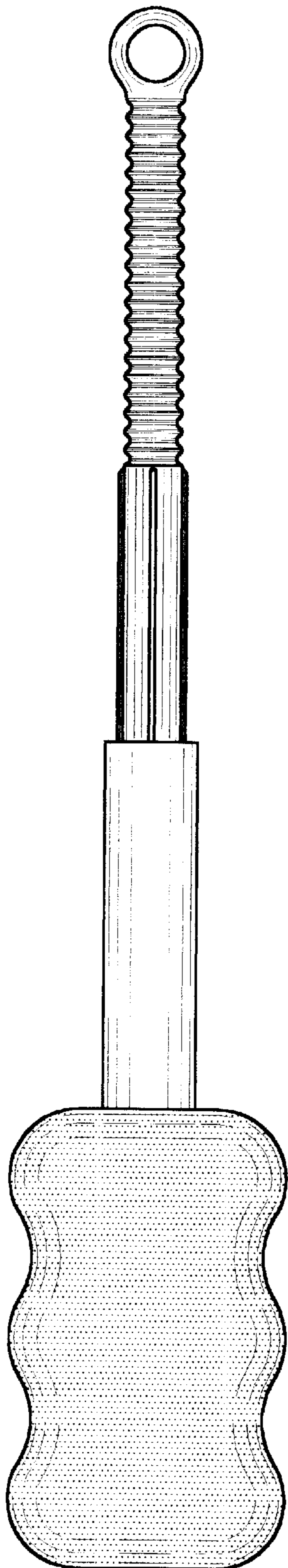


Fig. 2

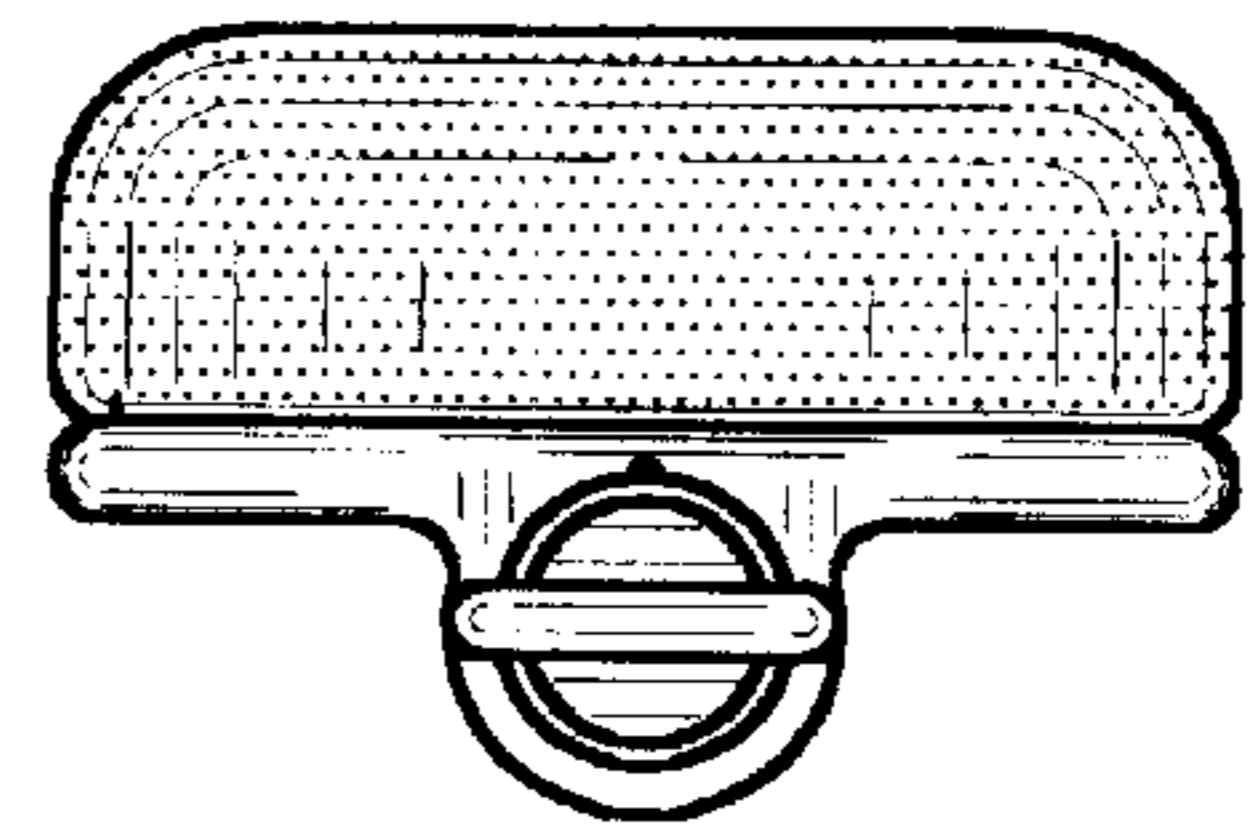


Fig. 5

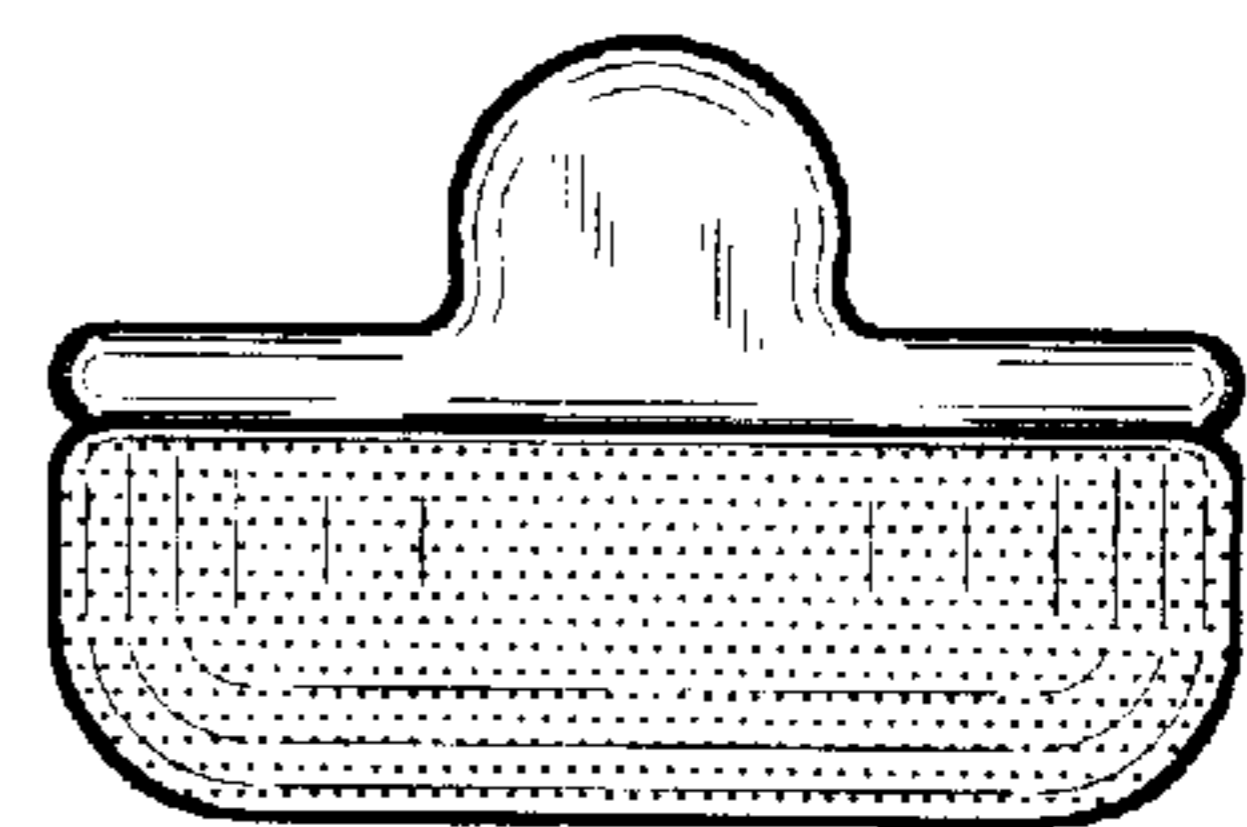


Fig. 6