



US00D425658S

United States Patent [19] Stahl

[11] **Patent Number: Des. 425,658**

[45] **Date of Patent: ** May 23, 2000**

[54] **CIGAR CUTTER**

1,186,291 6/1916 Davis 30/112
1,294,358 2/1919 Henriot 30/112
1,782,901 11/1930 Kassel 30/112 X

[75] Inventor: **Michael Anthony Stahl**, Huntsville, Ala.

Primary Examiner—Susan J. Lucas
Assistant Examiner—Jennifer Rivard

[73] Assignee: **Stahl Consolidated Manufacturing**, Huntsville, Ala.

[**] Term: **14 Years**

[57] **CLAIM**

The ornamental design for a cigar cutter, as shown and described.

[21] Appl. No.: **29/079,978**

DESCRIPTION

[22] Filed: **Nov. 25, 1997**

[51] **LOC (7) Cl.** **27-99**

FIG. 1 is a left side elevation view of a cigar cutter embodying my new design;

[52] **U.S. Cl.** **D27/195**; 30/109; 30/110; 30/111; 30/112; 30/113; 131/248

FIG. 2 is the rear elevation view thereof;

[58] **Field of Search** 131/248, 249, 131/250, 252, 253, 254, 255; D27/195; 30/109-113

FIG. 3 is a front elevation view thereof;

FIG. 4 is a top plan view thereof; and,

FIG. 5 is a right side elevation view thereof.

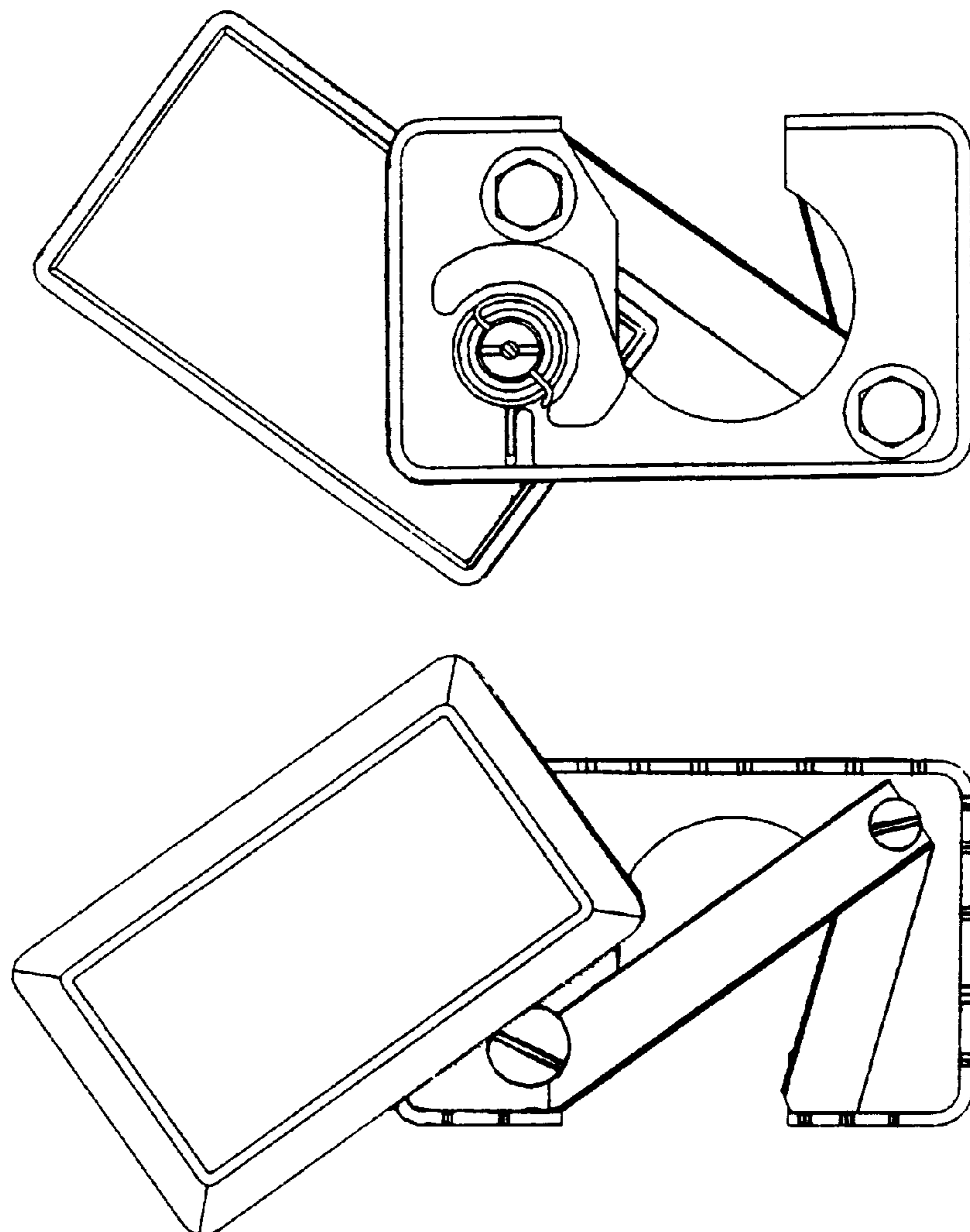
The bottom plan view is a mirror image of FIG. 4 with the exception of the opening along the top of the rear panel.

[56] **References Cited**

U.S. PATENT DOCUMENTS

1,094,338 4/1914 Leisegang 131/253

1 Claim, 1 Drawing Sheet



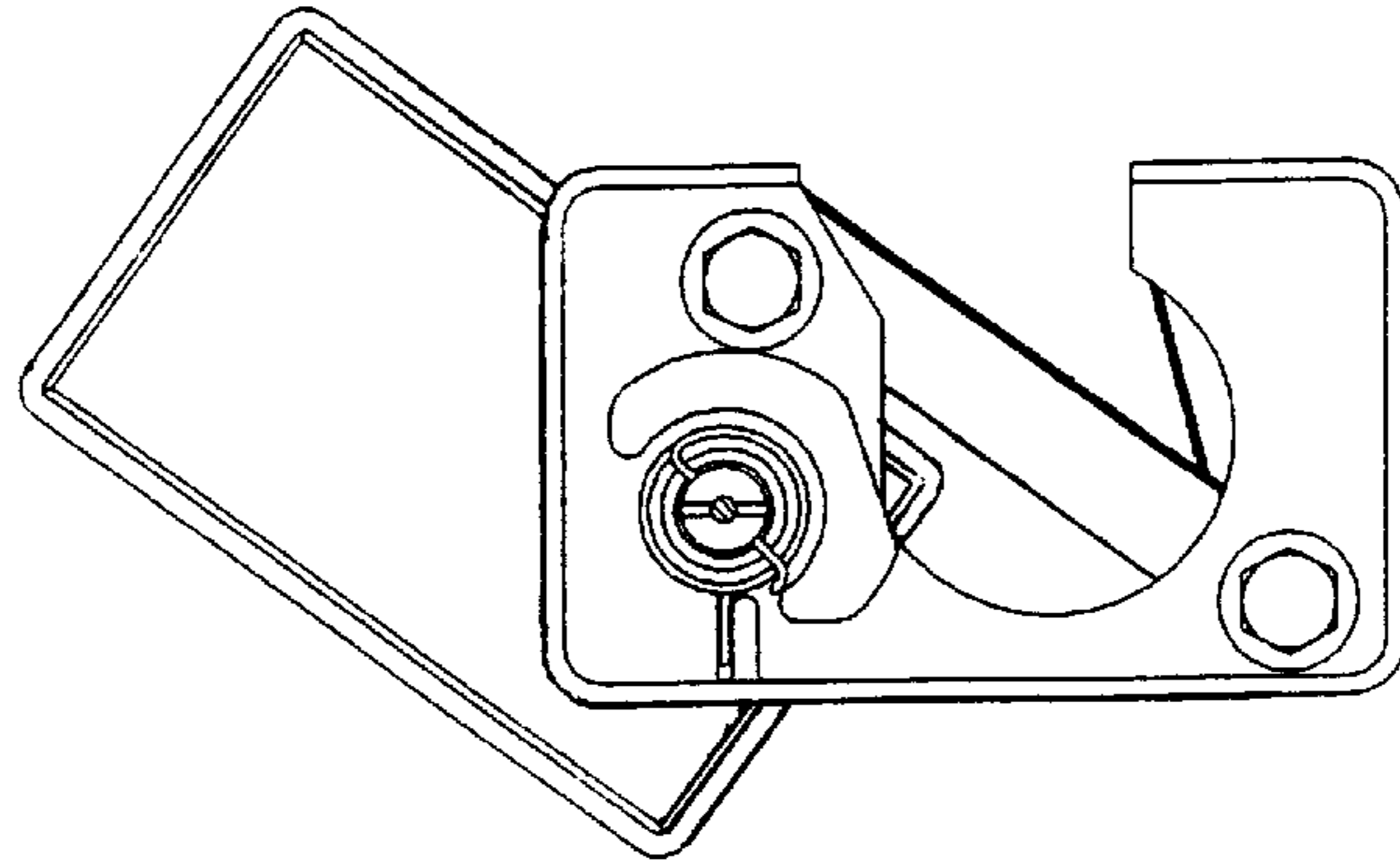


FIGURE 2

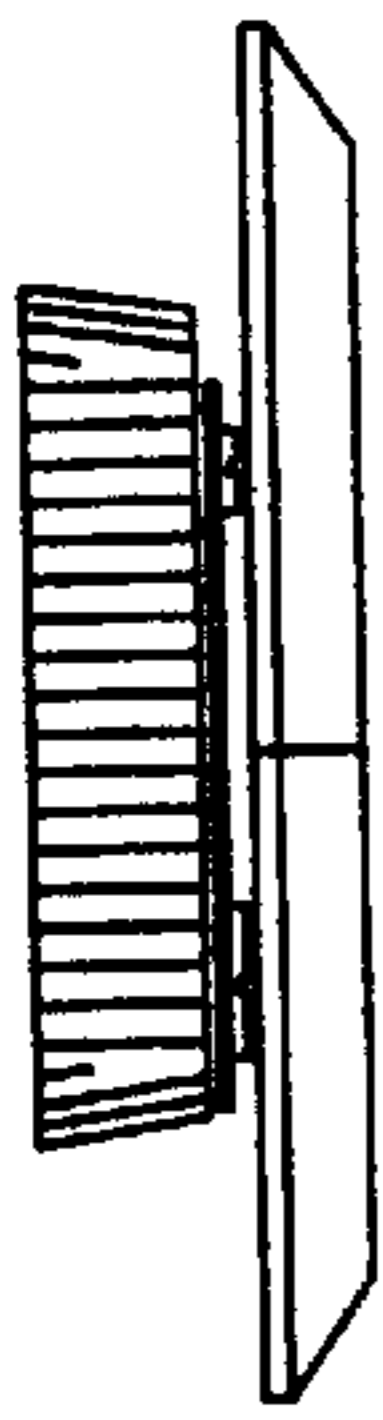


FIGURE 1

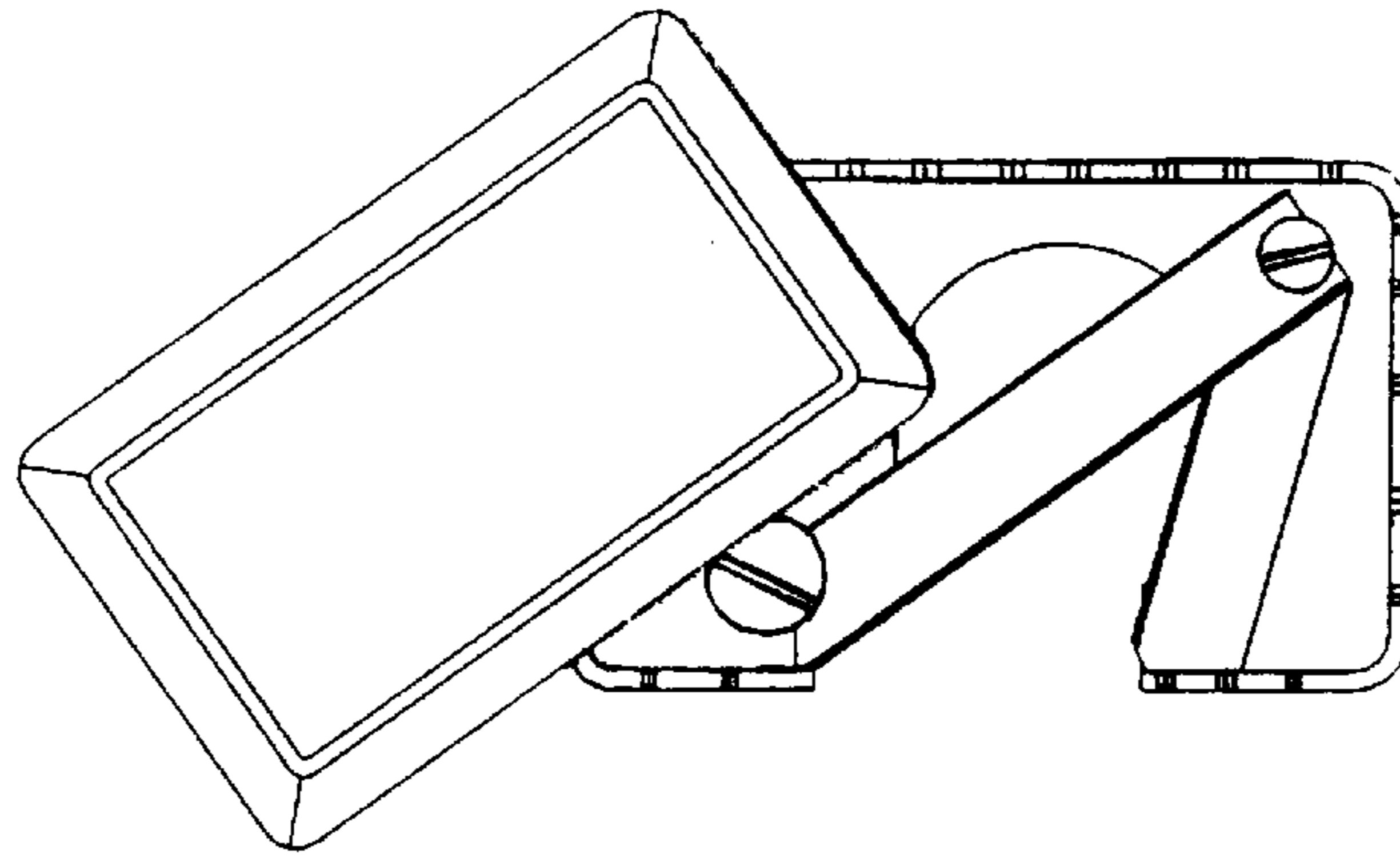


FIGURE 3



FIGURE 5

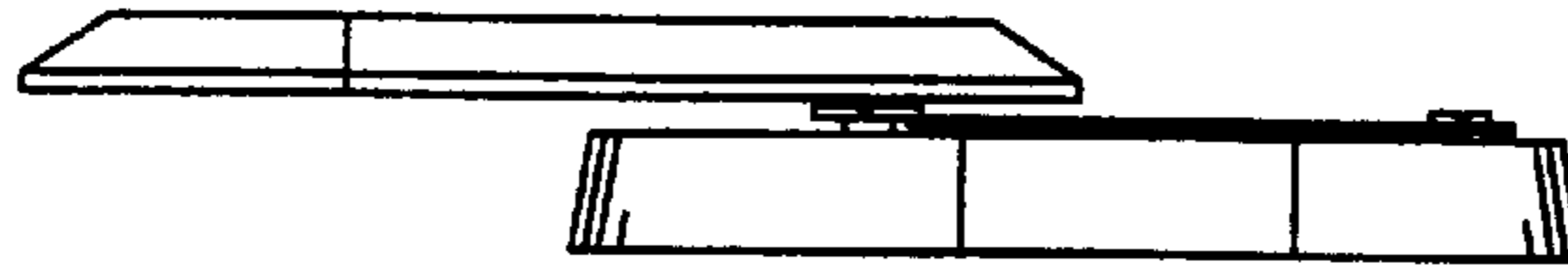


FIGURE 4