



US00D425654S

**United States Patent** [19]  
**Bleisch**

[11] **Patent Number: Des. 425,654**

[45] **Date of Patent: \*\* May 23, 2000**

[54] **GLASS SHADE**

[75] Inventor: **Nelson J. Bleisch**, Bratenahl, Ohio

[73] Assignee: **The L. D. Kichler Co.**, Cleveland, Ohio

[\*\*] Term: **14 Years**

[21] Appl. No.: **29/103,326**

[22] Filed: **Apr. 13, 1999**

[51] **LOC (7) Cl.** ..... **26-05**

[52] **U.S. Cl.** ..... **D26/127**

[58] **Field of Search** ..... D26/80, 81, 82,  
D26/83, 84, 85, 86, 87, 88, 90, 89, 91,  
127, 128-136; 362/404-408, 326, 327,  
329, 330, 334, 335, 338, 339, 340, 350,  
351, 352

[56] **References Cited**

**U.S. PATENT DOCUMENTS**

D. 397,492	8/1998	Hsu	.....	D26/127
D. 406,381	3/1999	Hsu	.....	D26/127
D. 416,352	11/1999	Hsu	.....	D26/134

**OTHER PUBLICATIONS**

Quoizel lighting catalog, Jul. 1997, p. 26, glass lamp shade, TF 6032R.

Quoizel Lighting catalog, Jun. 1995, p. 19, table lamp shade.

*Primary Examiner*—Susan J. Lucas  
*Attorney, Agent, or Firm*—Watts, Hoffmann, Fisher & Heinke, Co., L.P.A.

[57] **CLAIM**

I claim the ornamental design for a glass shade, as shown and described.

**DESCRIPTION**

FIG. 1 is a perspective view of a glass shade showing my new design;

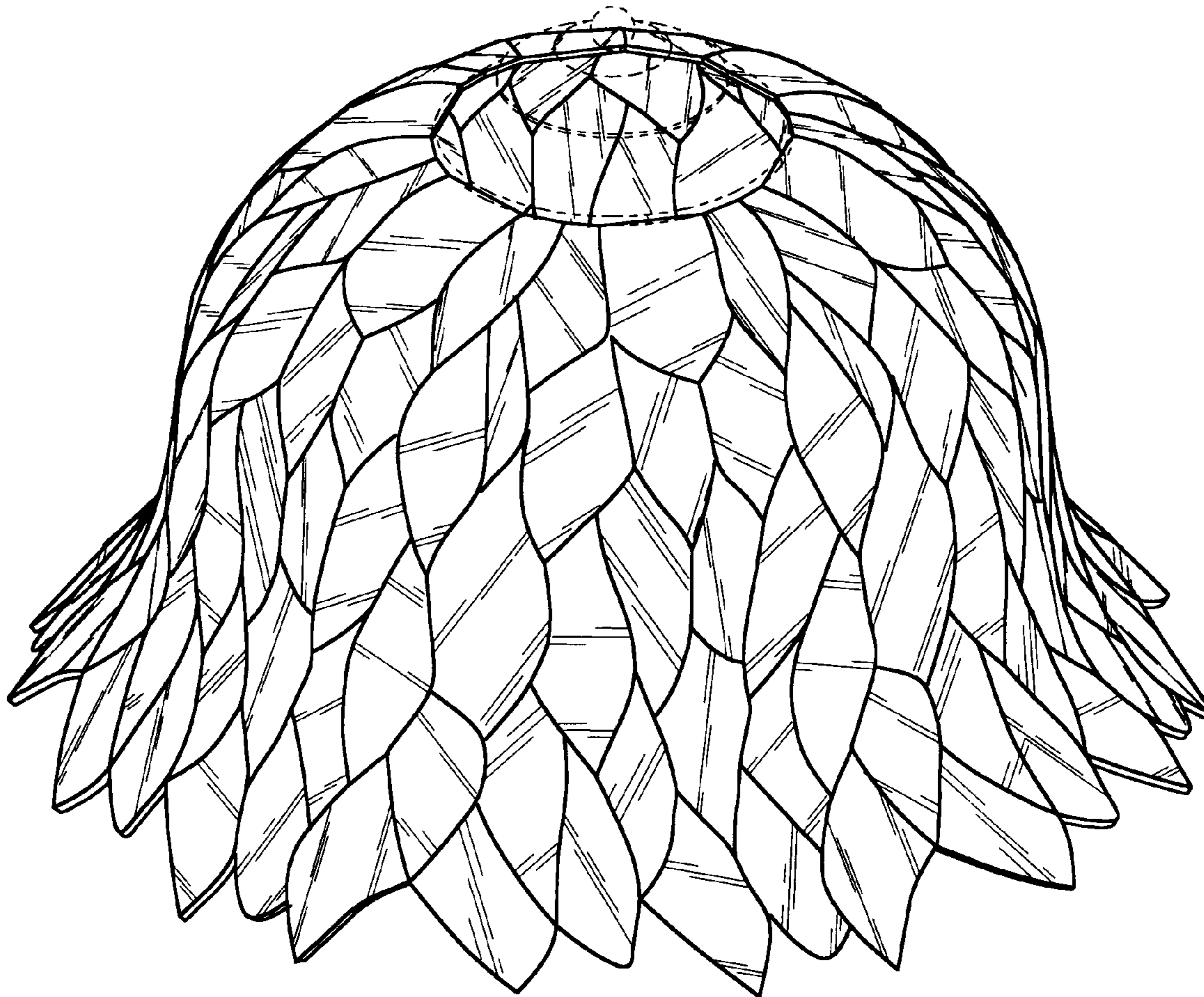
FIG. 2 is a front elevational view of the glass shade, the rear elevational view being identical and the left and right side elevational views being a mirror image;

FIG. 3 is a top plan view of the glass shade; and,

FIG. 4 is a bottom plan view of the glass shade.

The broken lines shown are for illustrative purposes only and form no part of the claimed design.

**1 Claim, 2 Drawing Sheets**



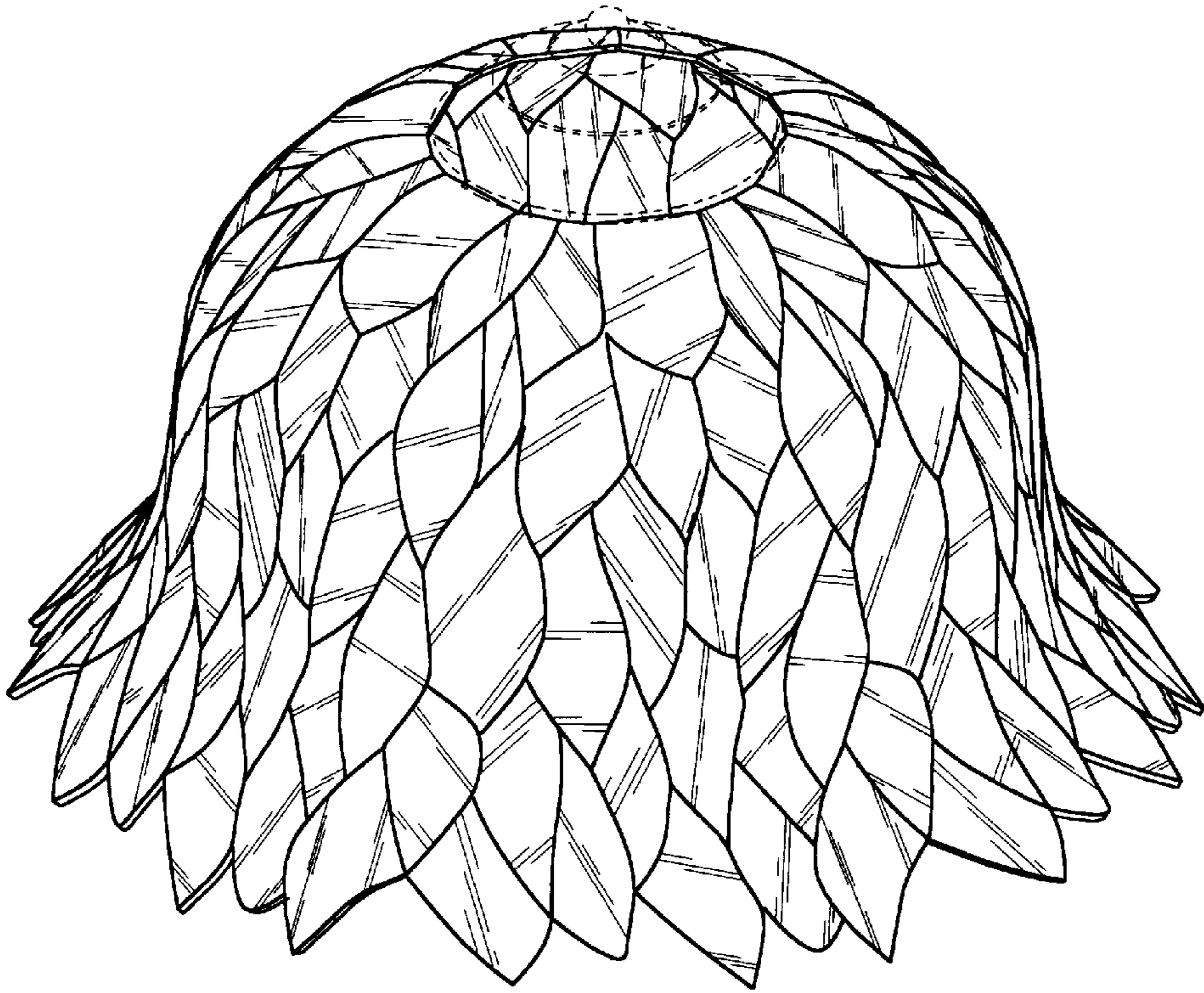


Fig.1

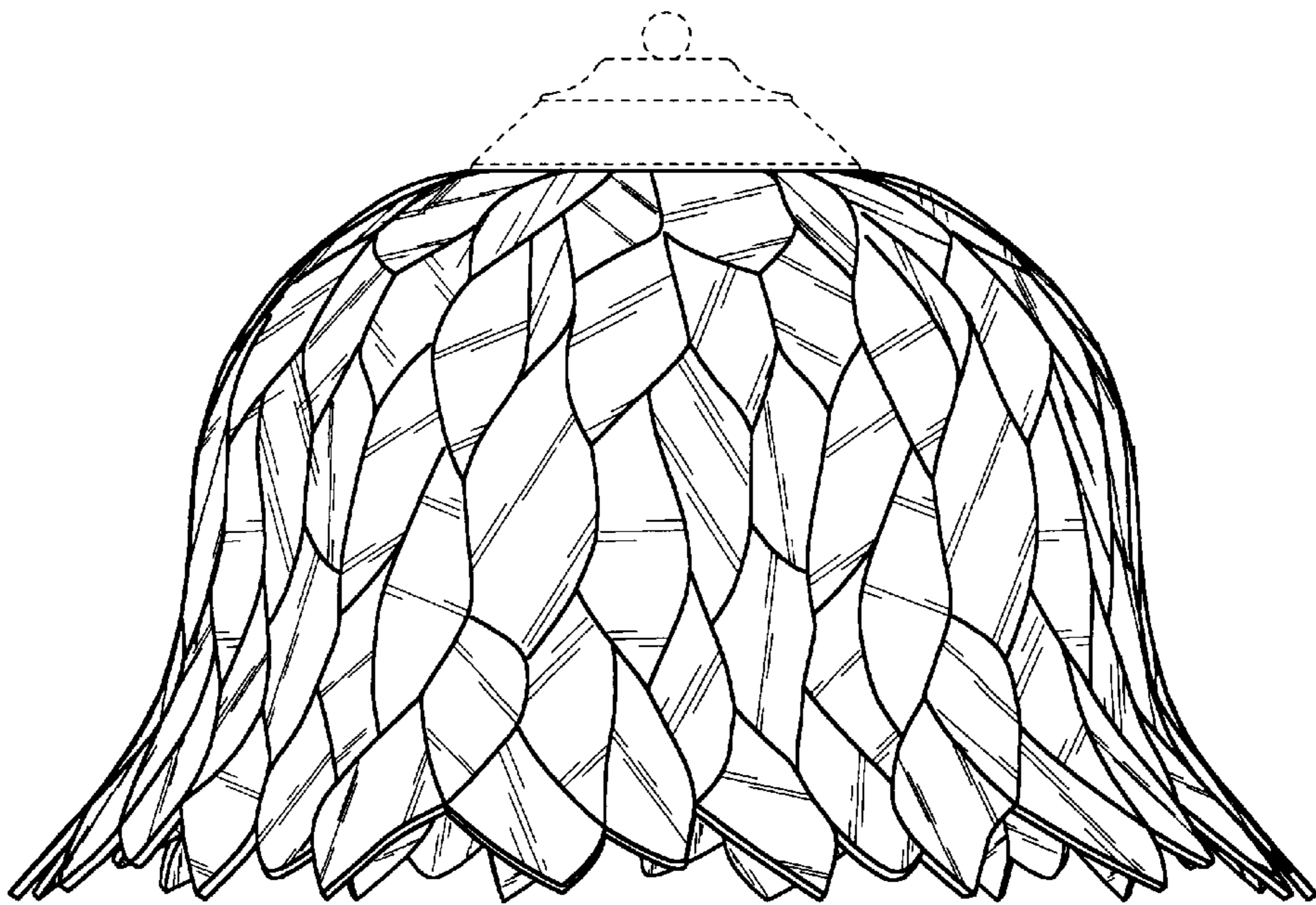


Fig.2

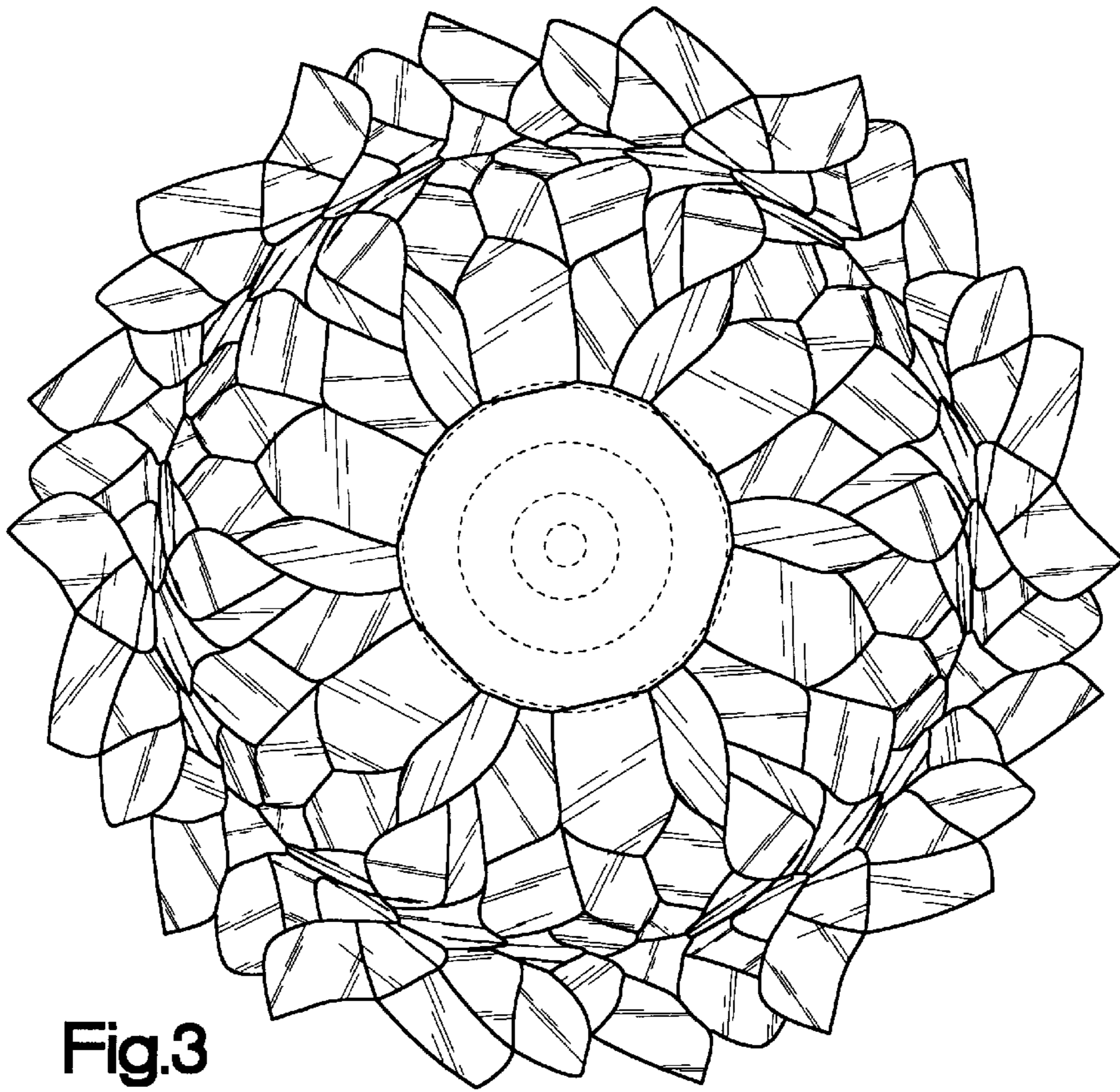


Fig.3

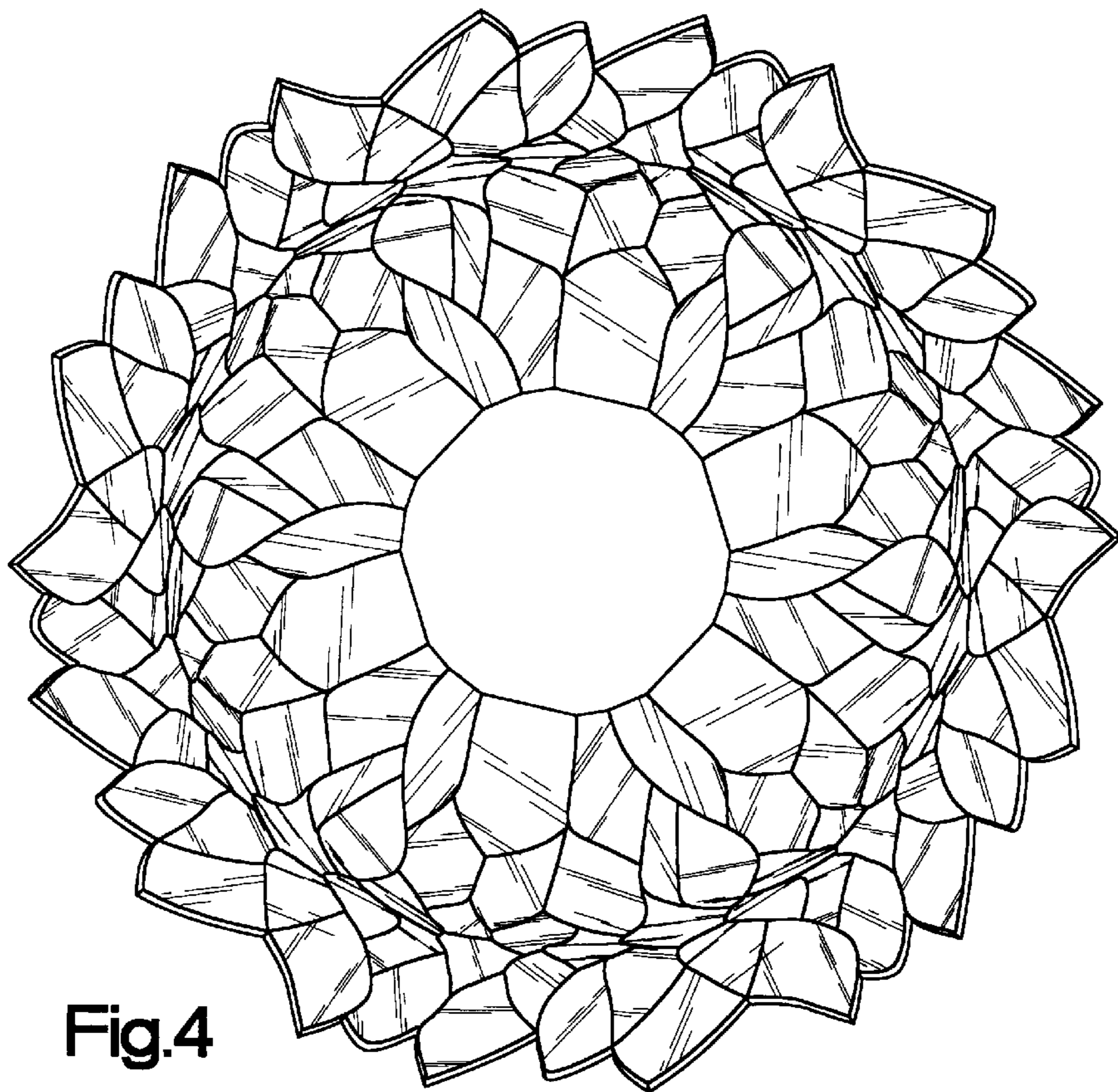


Fig.4