



US00D425652S

**United States Patent** [19]  
**Brok**

[11] **Patent Number: Des. 425,652**

[45] **Date of Patent: \*\* May 23, 2000**

[54] **REFLECTOR FOR LAMPS**

4,358,816 11/1982 Solleau ..... 362/346

[75] Inventor: **Marco J. P. Brok**, Naaldwijk,  
Netherlands

*Primary Examiner*—Susan J. Lucas  
*Attorney, Agent, or Firm*—Hill and Simpson

[73] Assignees: **Hortilux Schröder B.V.**, Monster,  
Netherlands; **Financiére des  
Applications**, Brussels, Belgium

[57] **CLAIM**

The ornamental design for a reflector for lamps, as shown  
and described.

[\*\*] Term: **14 Years**

**DESCRIPTION**

[21] Appl. No.: **29/098,400**

FIG. 1 is a perspective view taken from the top front end of  
the reflector for lamps in accordance with the present  
invention;

[22] Filed: **Dec. 29, 1998**

FIG. 2 is a perspective view taken from a bottom front end  
of the reflector showing the inside of the reflector for lamps  
of the present invention;

[30] **Foreign Application Priority Data**

Jul. 2, 1998 [XH] Hague Agreement ..... DM/045060

FIG. 3 is a rear end view of the reflector for lamps of the  
present invention;

[51] **LOC (7) Cl.** ..... **26-99**

[52] **U.S. Cl.** ..... **D26/118**

FIG. 4 is a bottom plan view showing the inside of the  
reflector for lamps of the present invention;

[58] **Field of Search** ..... D26/72, 85-91,  
D26/118; 362/404-408, 147, 341, 346,  
347, 349, 350, 353, 348, 364, 365, 366

FIG. 5 is a front elevational view of the reflector for lamps  
in accordance with the present invention;

[56] **References Cited**

**U.S. PATENT DOCUMENTS**

D. 270,577 9/1983 DeVos ..... D26/118

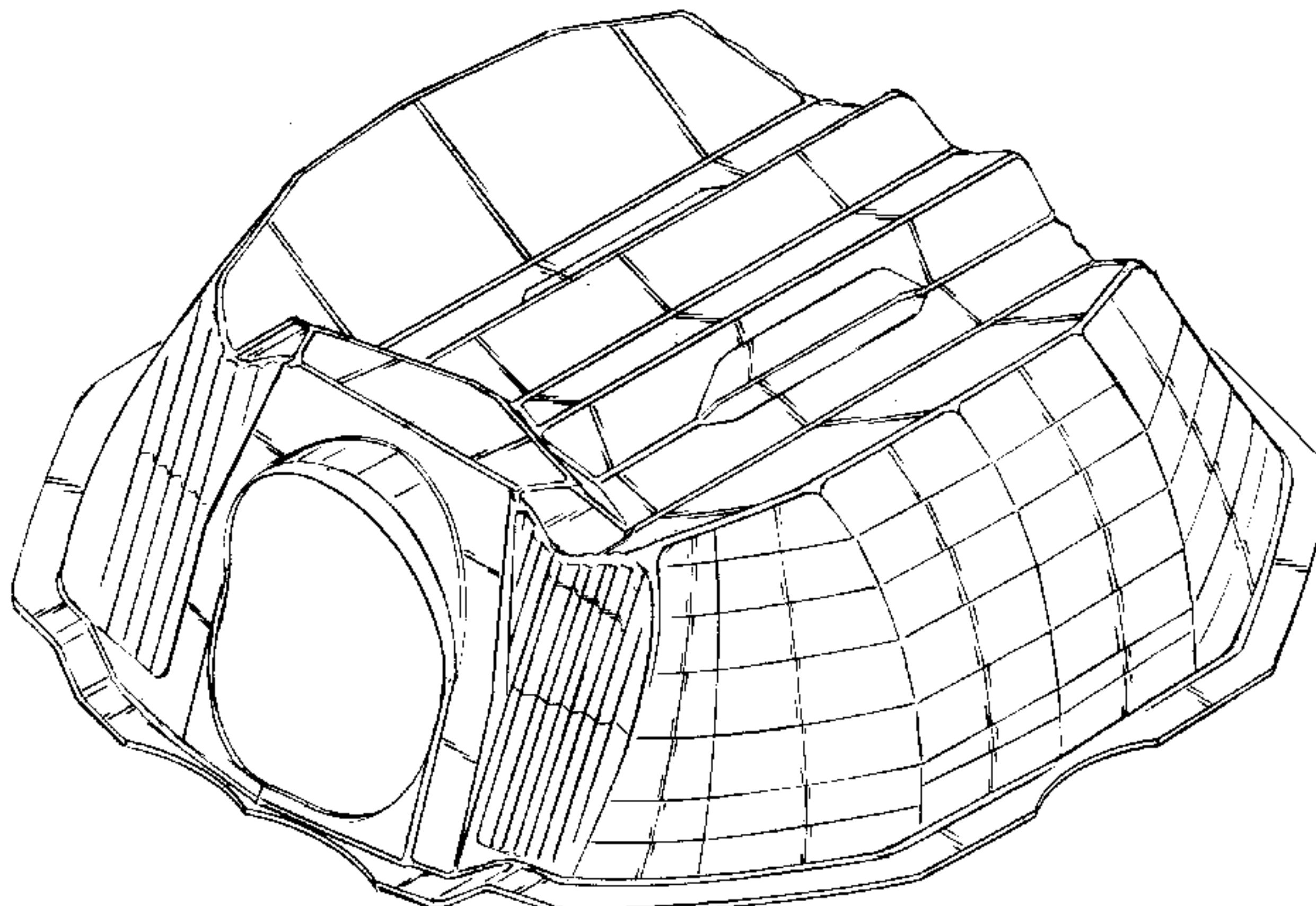
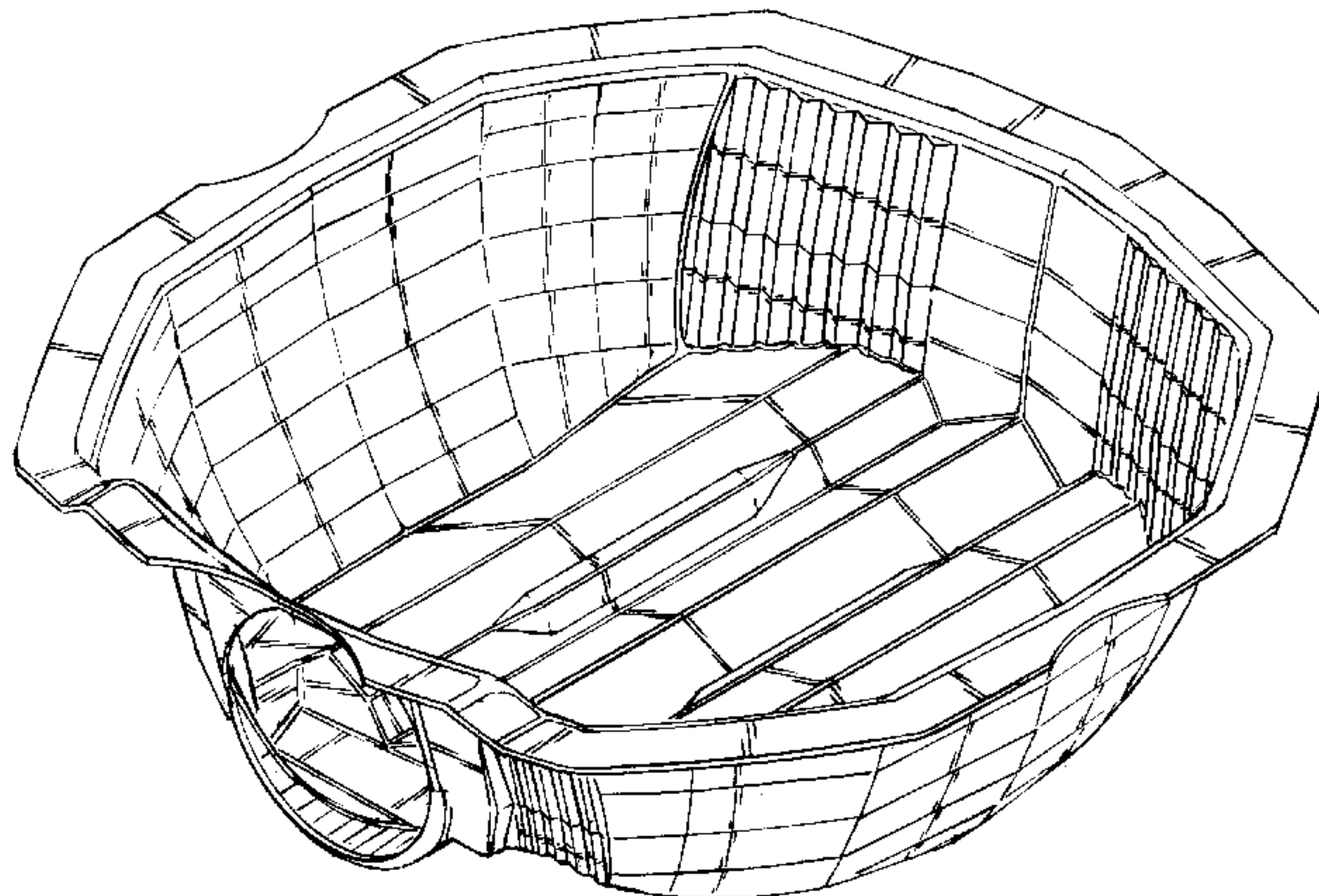
D. 311,597 10/1990 Poot ..... D26/118

D. 351,251 10/1994 Schreder ..... D26/118

FIG. 6 is a side elevational view of the reflector for lamps  
of the present invention with the opposite side being a mirror  
image; and,

FIG. 7 is a top plan view of the reflector for lamps in  
accordance with the present invention.

**1 Claim, 3 Drawing Sheets**



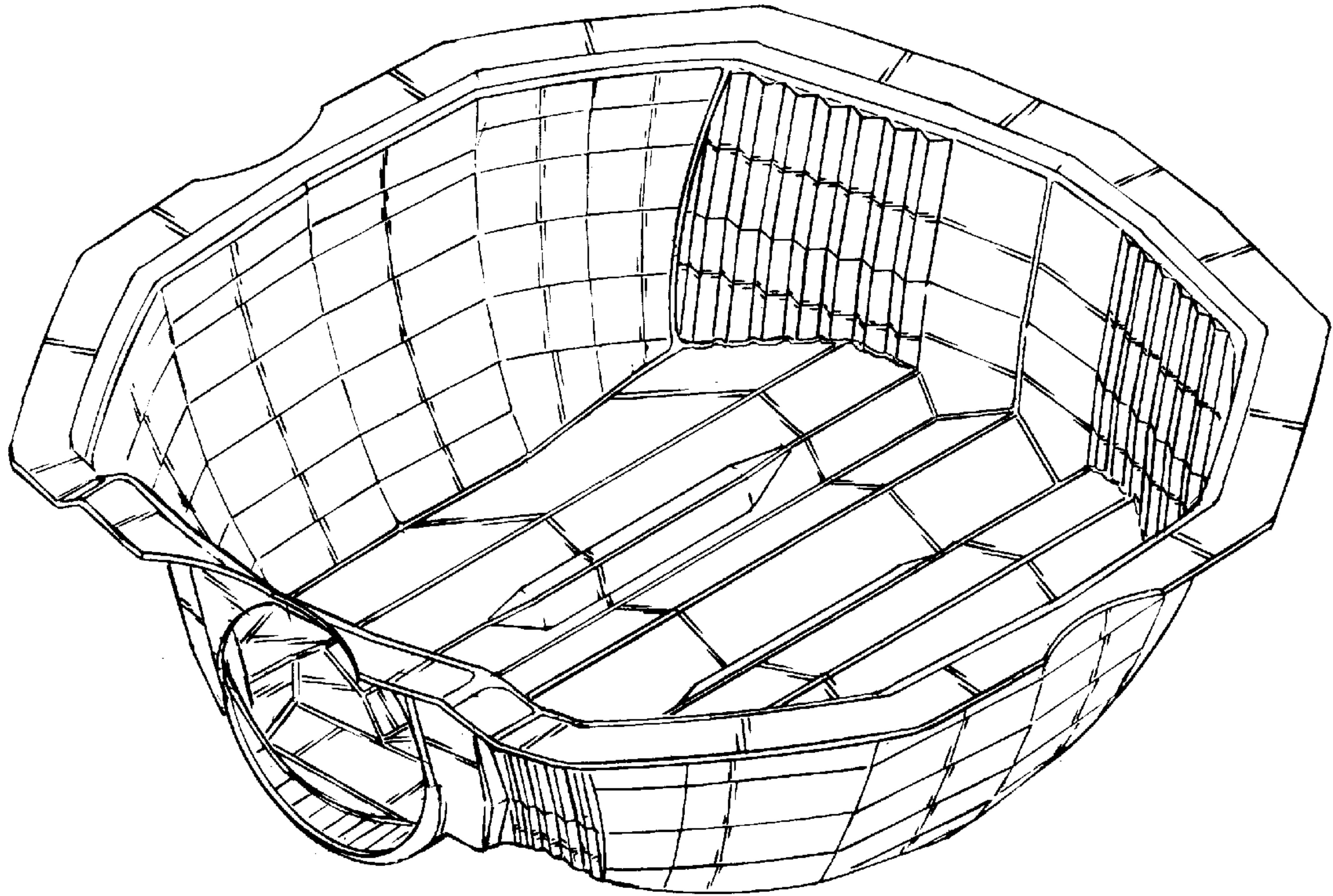


FIG. 2

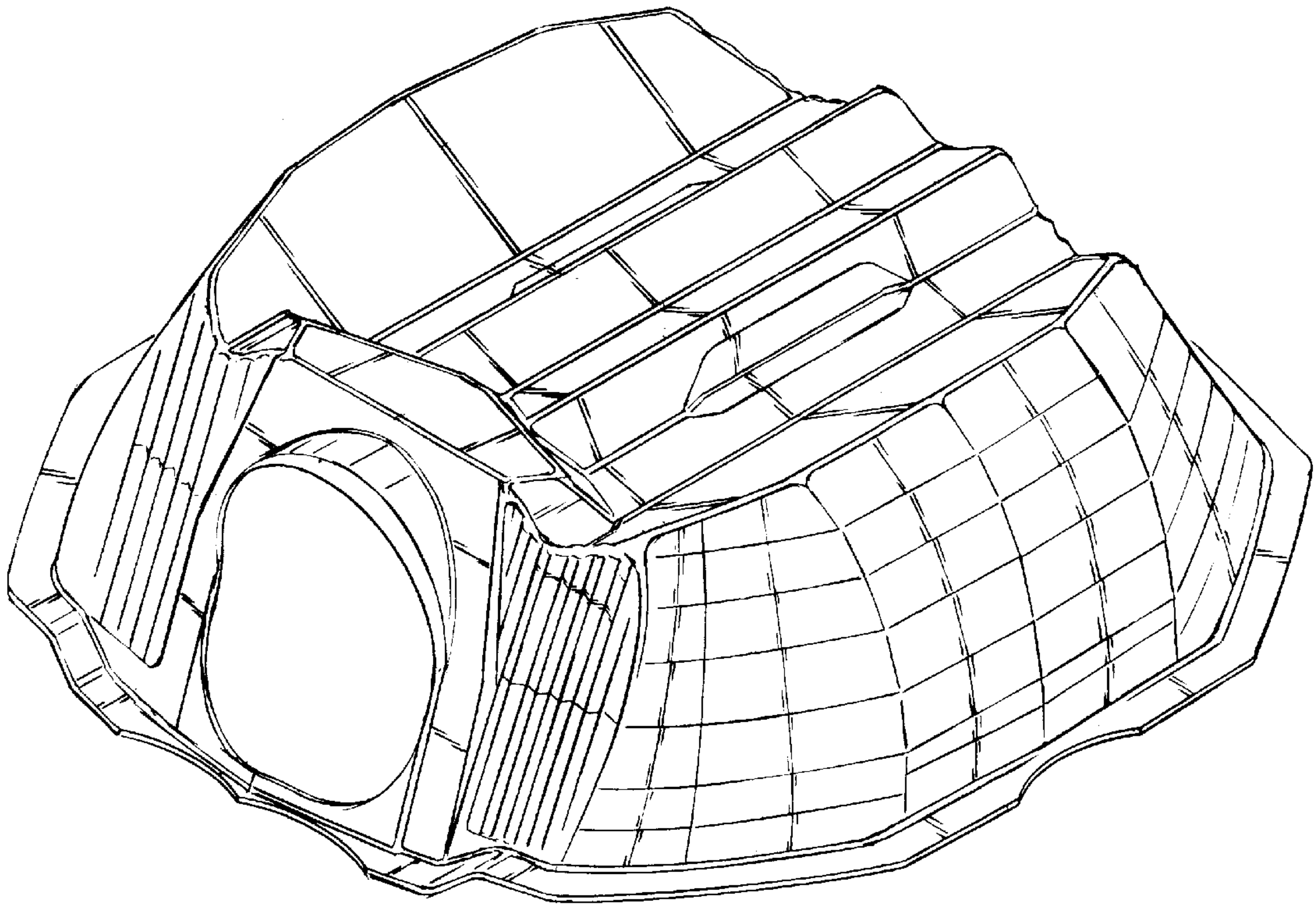


FIG. 1



FIG. 3

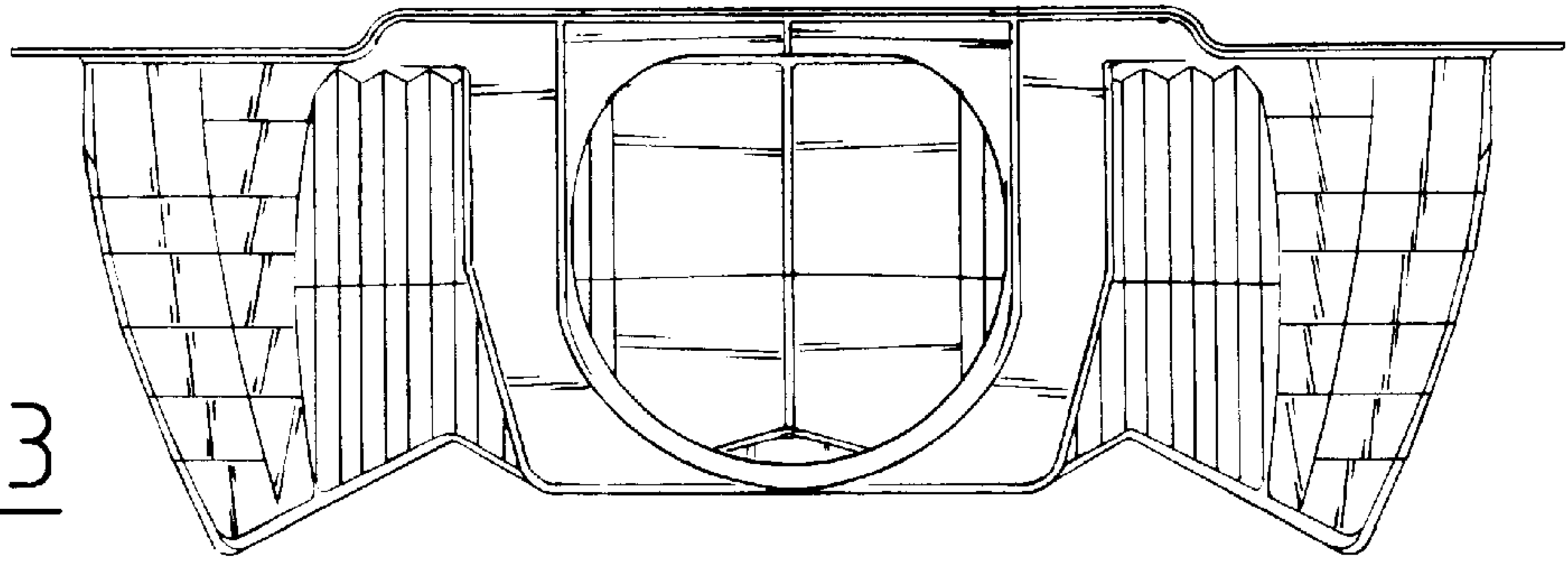


FIG. 4

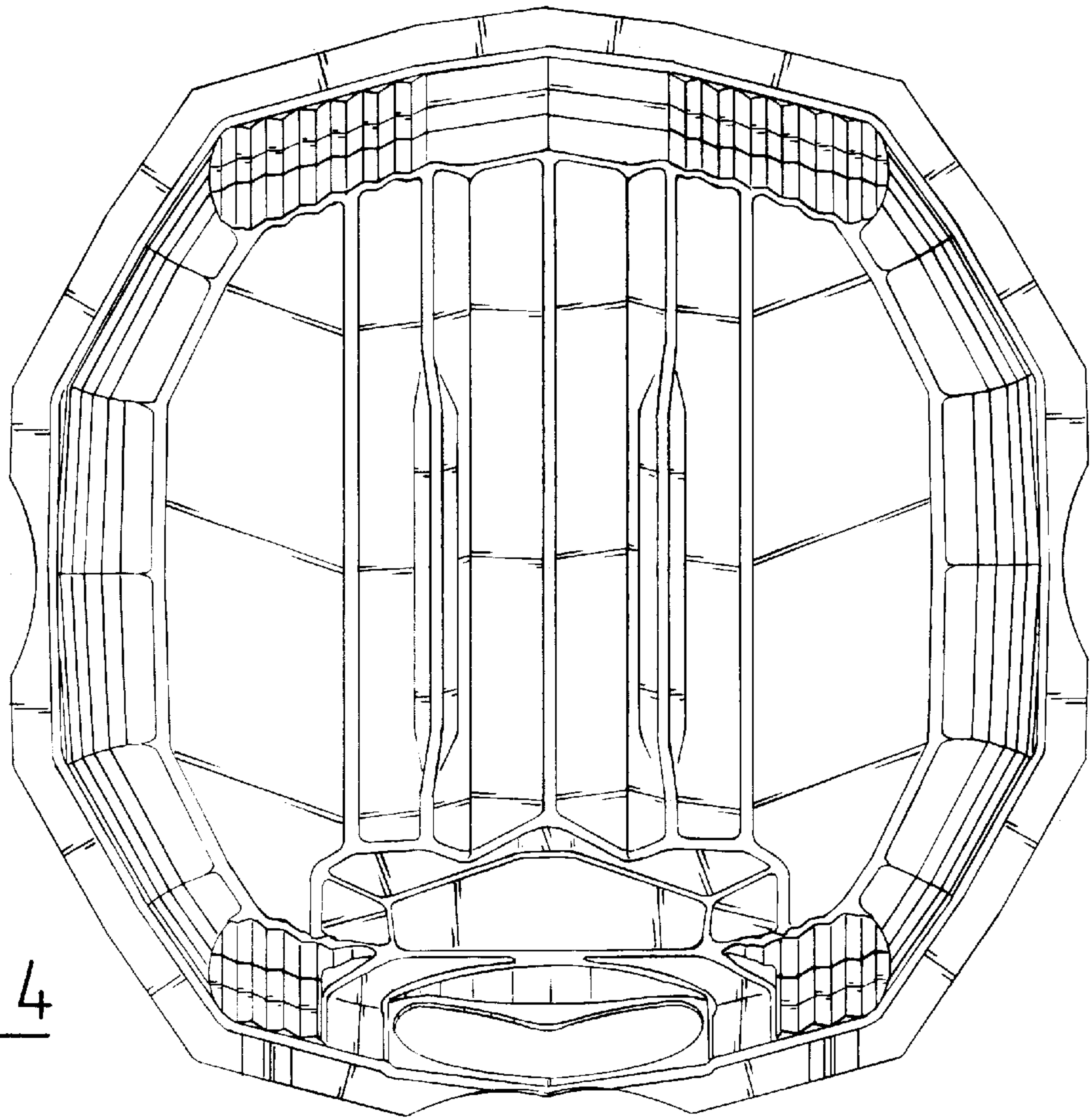


FIG. 5

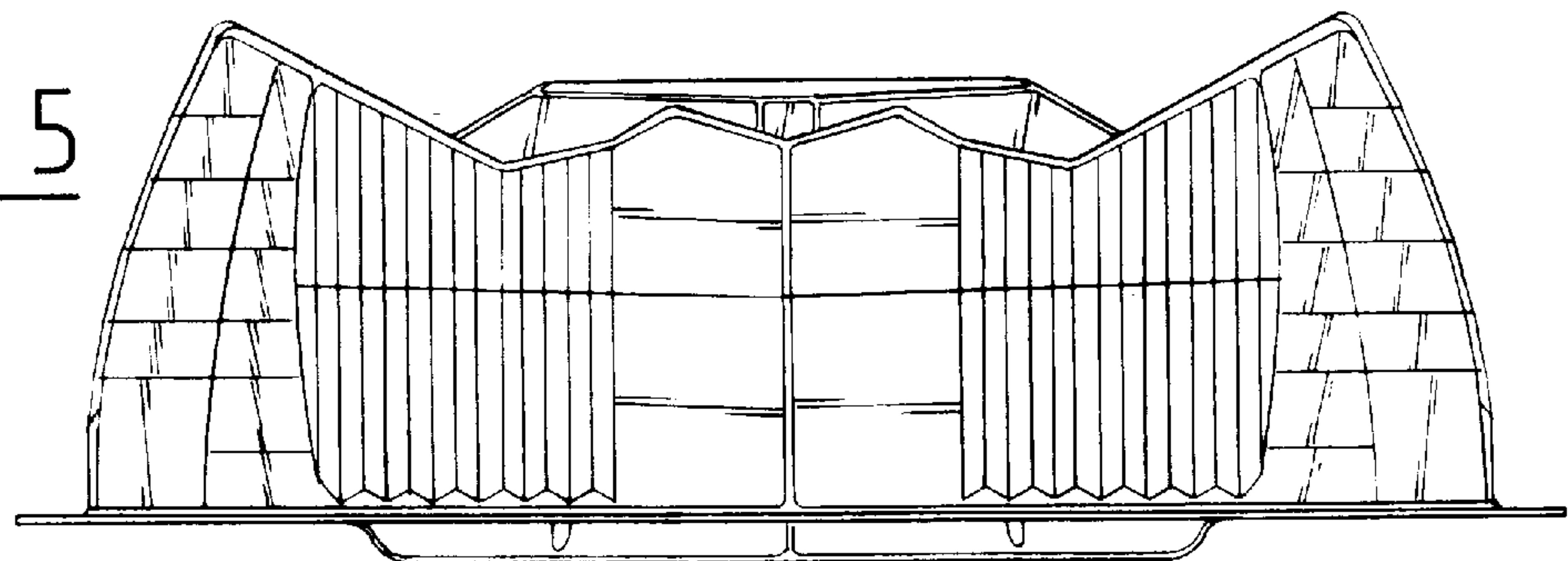


FIG. 6

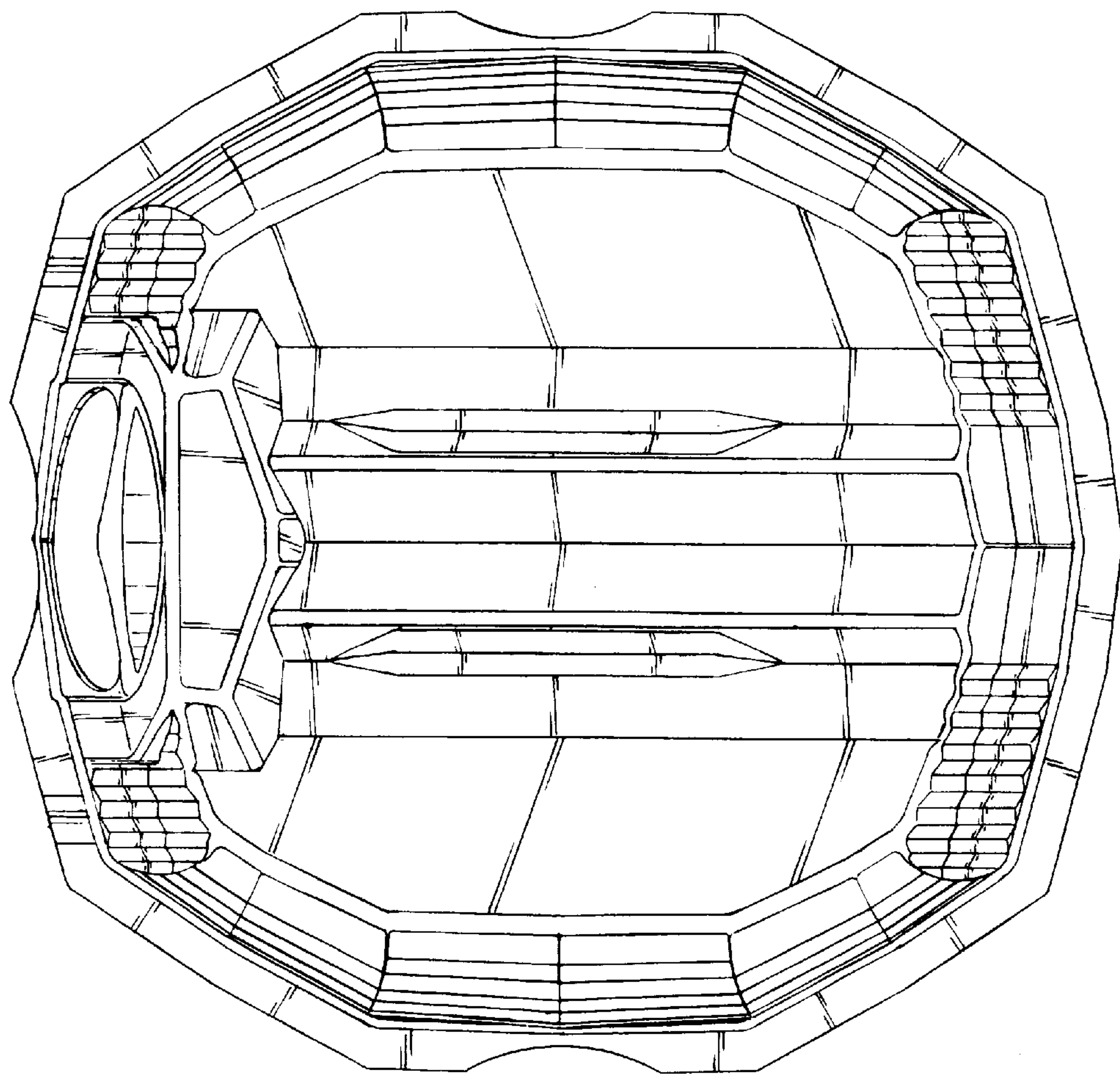
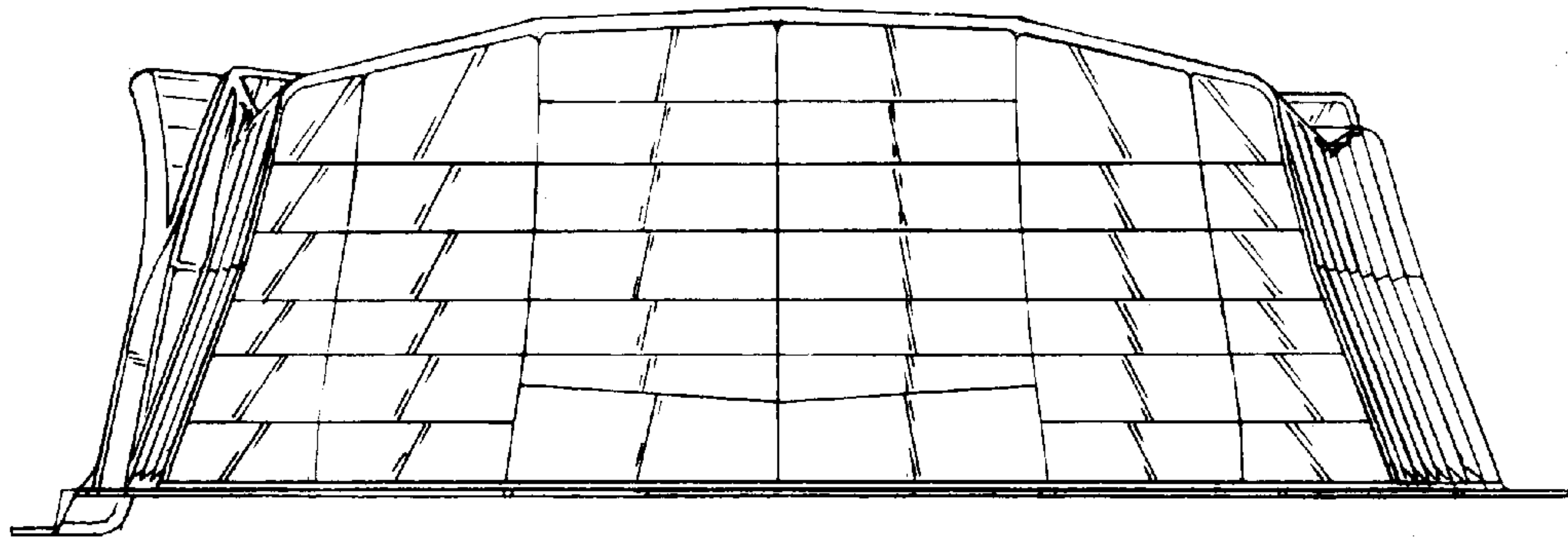


FIG. 7