



US00D425651S

United States Patent [19]
Gager et al.

[11] **Patent Number: Des. 425,651**

[45] **Date of Patent: ** May 23, 2000**

[54] **LAMP**

[75] Inventors: **James Gager; Brenan Liston**, both of New York, N.Y.

[73] Assignee: **Prescritives Inc.**, New York, N.Y.

[**] Term: **14 Years**

[21] Appl. No.: **29/084,390**

[22] Filed: **Mar. 2, 1998**

[51] **LOC (7) Cl.** **26-05**

[52] **U.S. Cl.** **D26/108; D26/62; D26/93**

[58] **Field of Search** **D26/60-66, 93, D26/102-112; 362/410-414, 269, 275, 287, 418, 419, 427, 428, 429, 401, 341, 356, 294**

[56] **References Cited**

U.S. PATENT DOCUMENTS

D. 195,987	8/1963	Hoffmann et al.	D26/61
D. 301,633	6/1989	Shwisha	D26/63
D. 390,990	2/1998	Yang	D26/62
4,238,816	12/1980	Merlo	362/419 X
4,719,545	1/1988	Cano	362/294 X

OTHER PUBLICATIONS

George Kovacs Lighting catalog, p. 64, rectangular desk lamp head, 1987-88.

Primary Examiner—Susan J. Lucas

Attorney, Agent, or Firm—Fulbright & Jaworski, LLP.

[57] **CLAIM**

The ornamental design for a lamp, as shown and described.

DESCRIPTION

FIG. 1 is a perspective view of a first embodiment of a lamp according to the invention;

FIG. 2 is another perspective view of the embodiment of a lamp according to the invention;

FIG. 3 is a front view of a first embodiment of a lamp according to the invention;

FIG. 4 is a rear view of a first embodiment of a lamp according to the invention;

FIG. 5 is a side view of a first embodiment of a lamp according to the invention;

FIG. 6 is a reverse side view of a first embodiment of a lamp according to the invention;

FIG. 7 is an overhead view of a first embodiment of a lamp according to the invention;

FIG. 8 is an underside view of a first embodiment of a lamp according to the invention;

FIG. 9 is a perspective view of a second embodiment of a lamp according to the invention;

FIG. 10 is a front view of a second embodiment of a lamp according to the invention;

FIG. 11 is a rear view of a second embodiment of a lamp according to the invention;

FIG. 12 is a side view of a second embodiment of a lamp according to the invention;

FIG. 13 is a reverse side view of a second embodiment of a lamp according to the invention;

FIG. 14 is an overhead view of a second embodiment of a lamp according to the invention;

FIG. 15 is an underside view of a second embodiment of a lamp according to the invention;

FIG. 16 is a perspective view of a third embodiment of a lamp according to the invention;

FIG. 17 is a front view of a third embodiment of a lamp according to the invention;

FIG. 18 is a rear view of a third embodiment of a lamp according to the invention;

FIG. 19 is a side view of a third embodiment of a lamp according to the invention;

FIG. 20 is a reverse side view of a third embodiment of a lamp according to the invention;

FIG. 21 is an overhead view of a third embodiment of a lamp according to the invention;

FIG. 22 is an underside view of a third embodiment of a lamp according to the invention;

FIG. 23 is a perspective view of a fourth embodiment of a lamp according to the invention;

FIG. 24 is a front view of a fourth embodiment of a lamp according to the invention;

FIG. 25 is a rear view of a fourth embodiment of a lamp according to the invention;

FIG. 26 is a side view of a fourth embodiment of a lamp according to the invention;

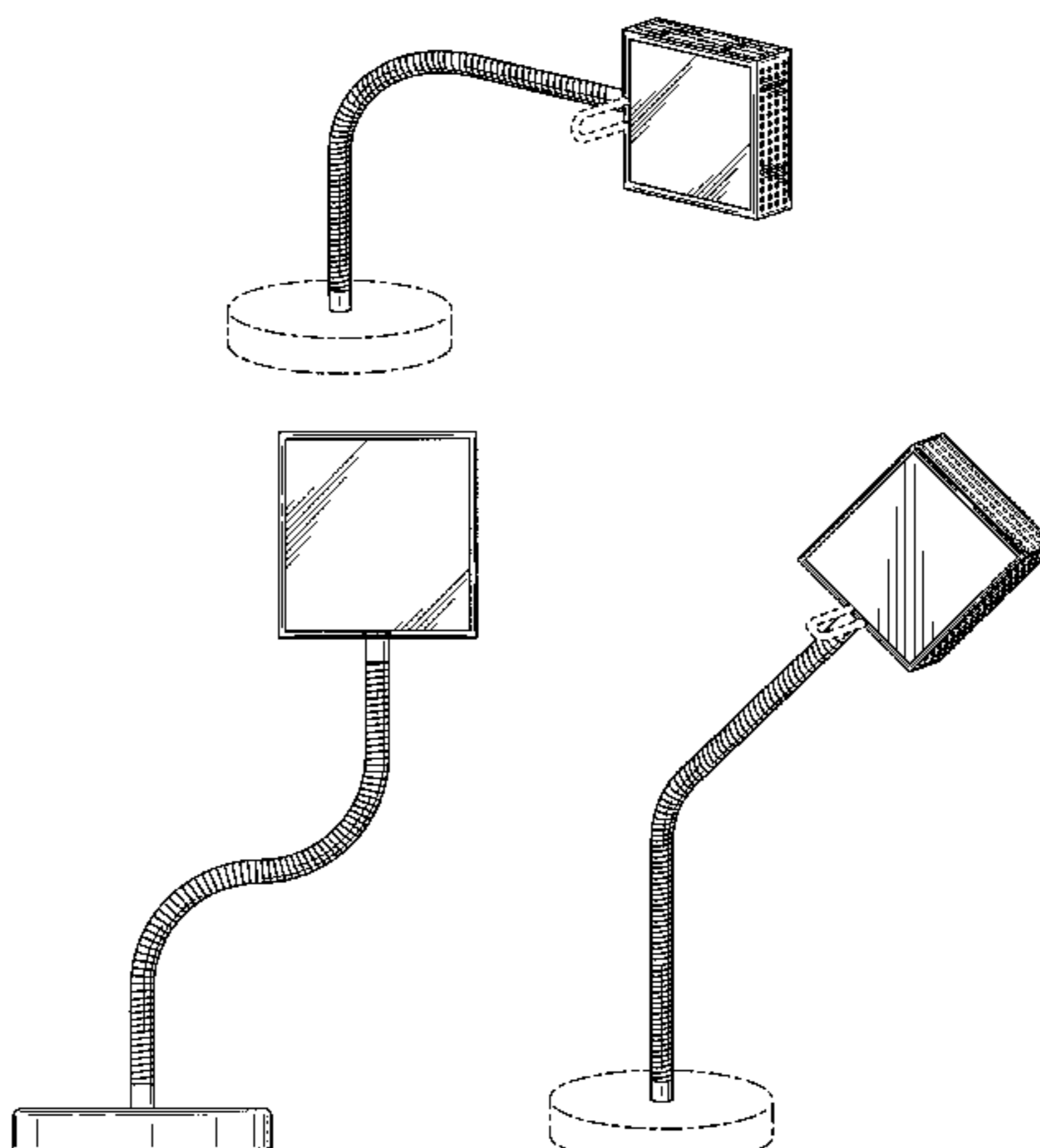


FIG. 27 is a reverse side view of a fourth embodiment of a lamp according to the invention;

FIG. 28 is an overhead view of a fourth embodiment of a lamp according to the invention;

FIG. 29 is an underside view of a fourth embodiment of a lamp according to the invention;

FIG. 30 is a perspective view of a fifth embodiment of a lamp according to the invention;

FIG. 31 is a front view of a fifth embodiment of a lamp according to the invention;

FIG. 32 is a rear view of a fifth embodiment of a lamp according to the invention;

FIG. 33 is a side view of a fifth embodiment of a lamp according to the invention;

FIG. 34 is a reverse side view of a fifth embodiment of a lamp according to the invention;

FIG. 35 is an overhead view of a fifth embodiment of a lamp according to the invention; and,

FIG. 36 is an underside view of a fifth embodiment of a lamp according to the invention;

The broken lines are shown for illustrative purposes only and form no part of the claimed design.

1 Claim, 17 Drawing Sheets

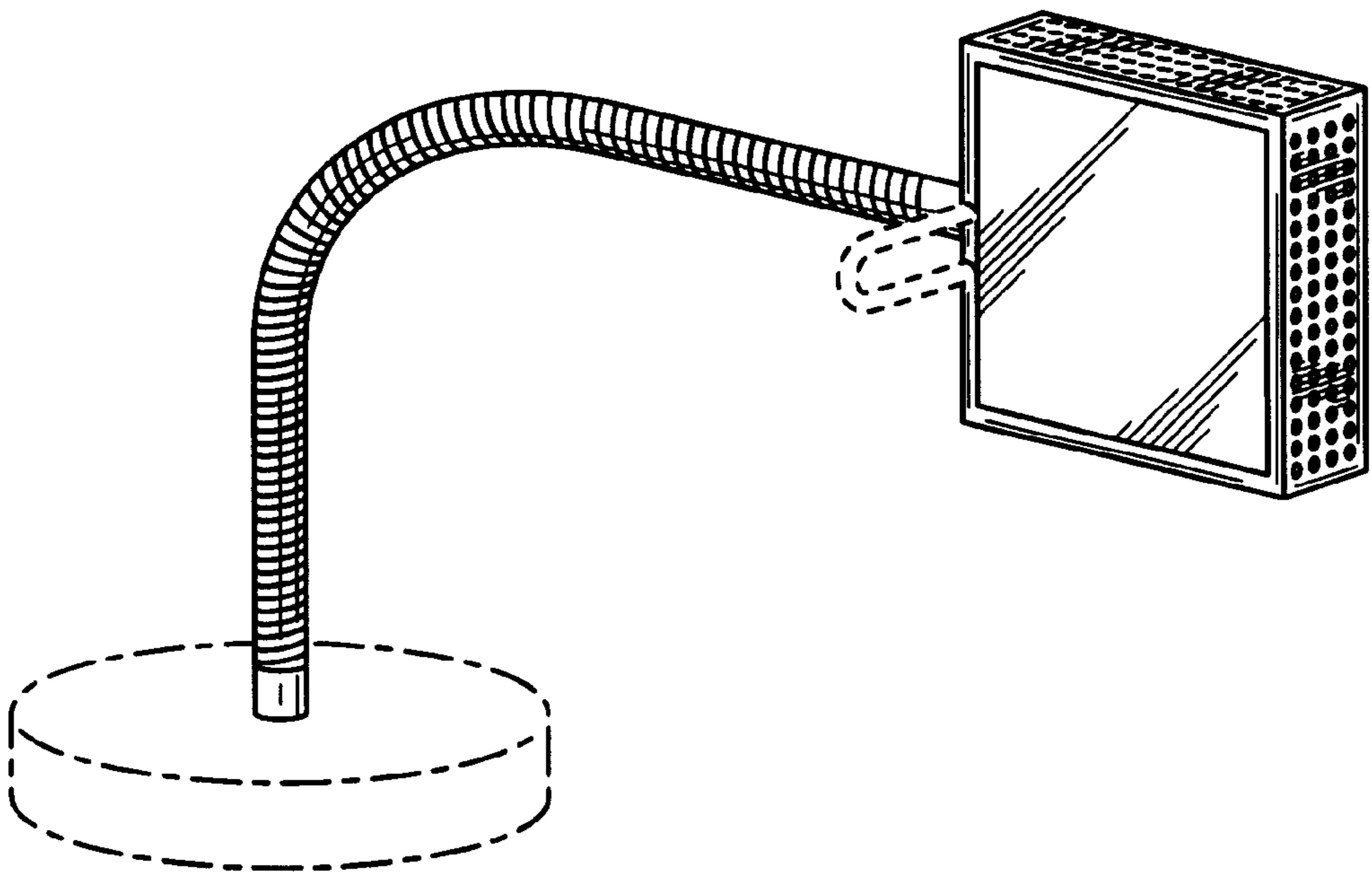


FIG. 1

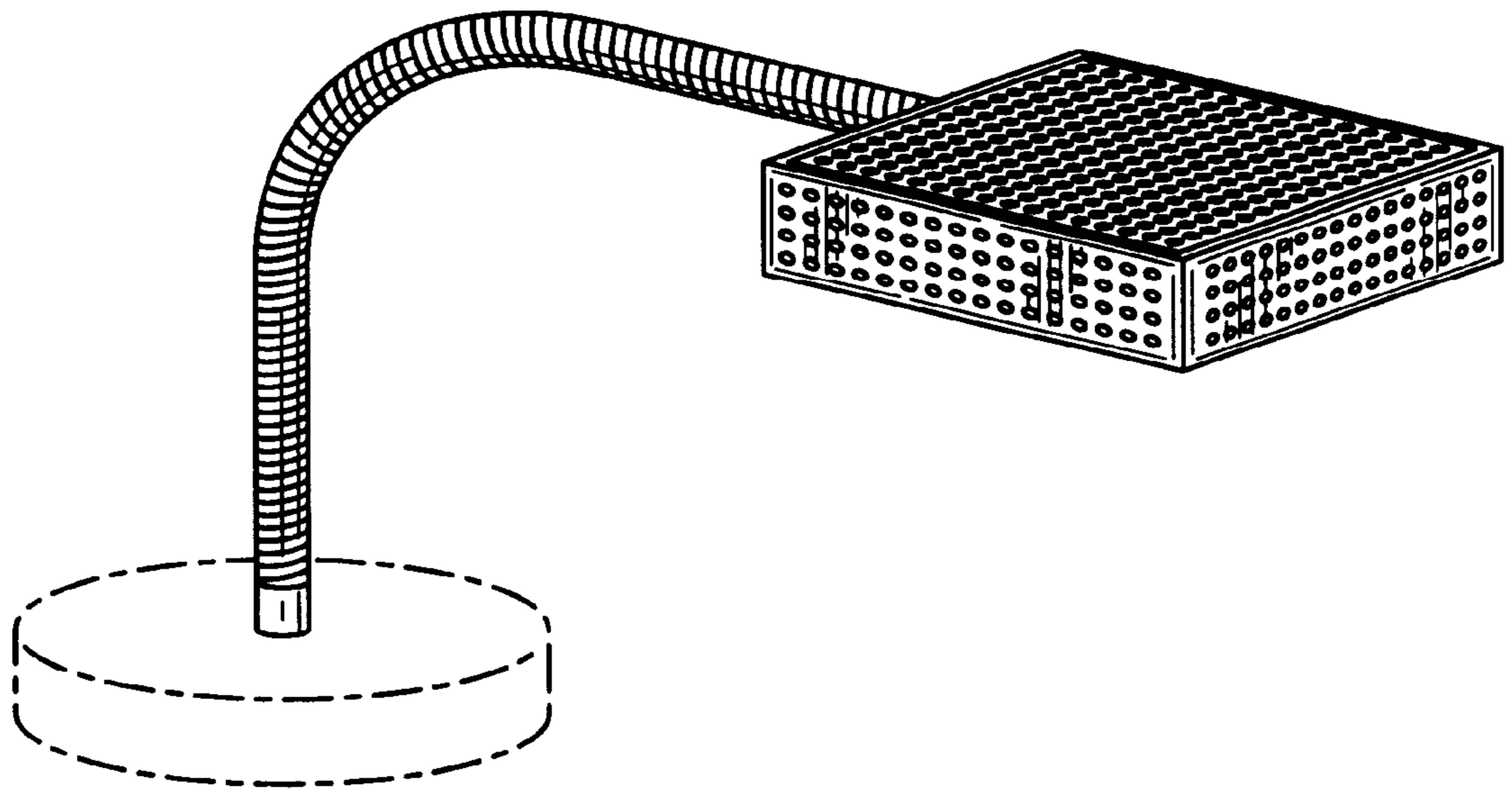


FIG. 2

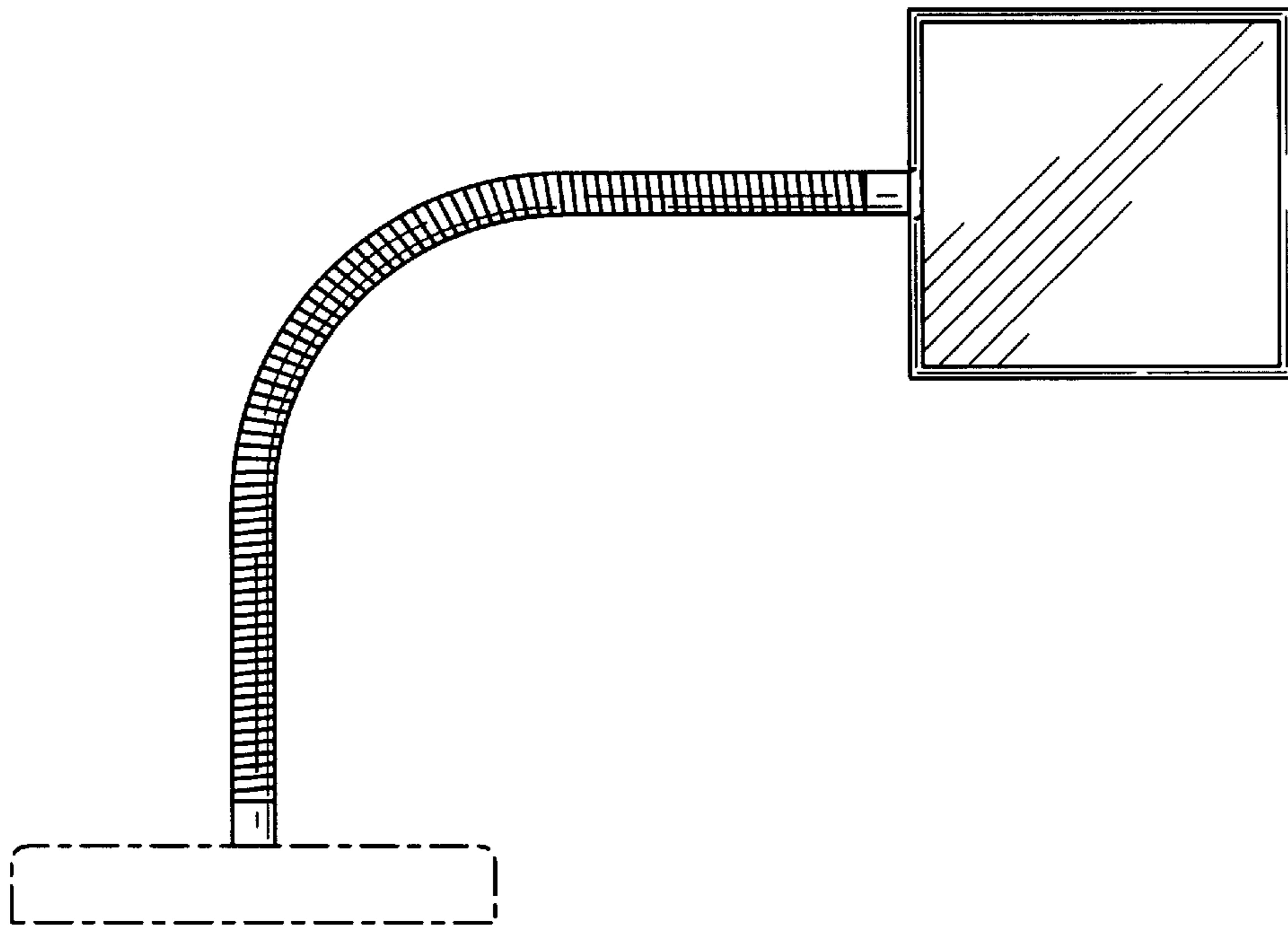


FIG. 3

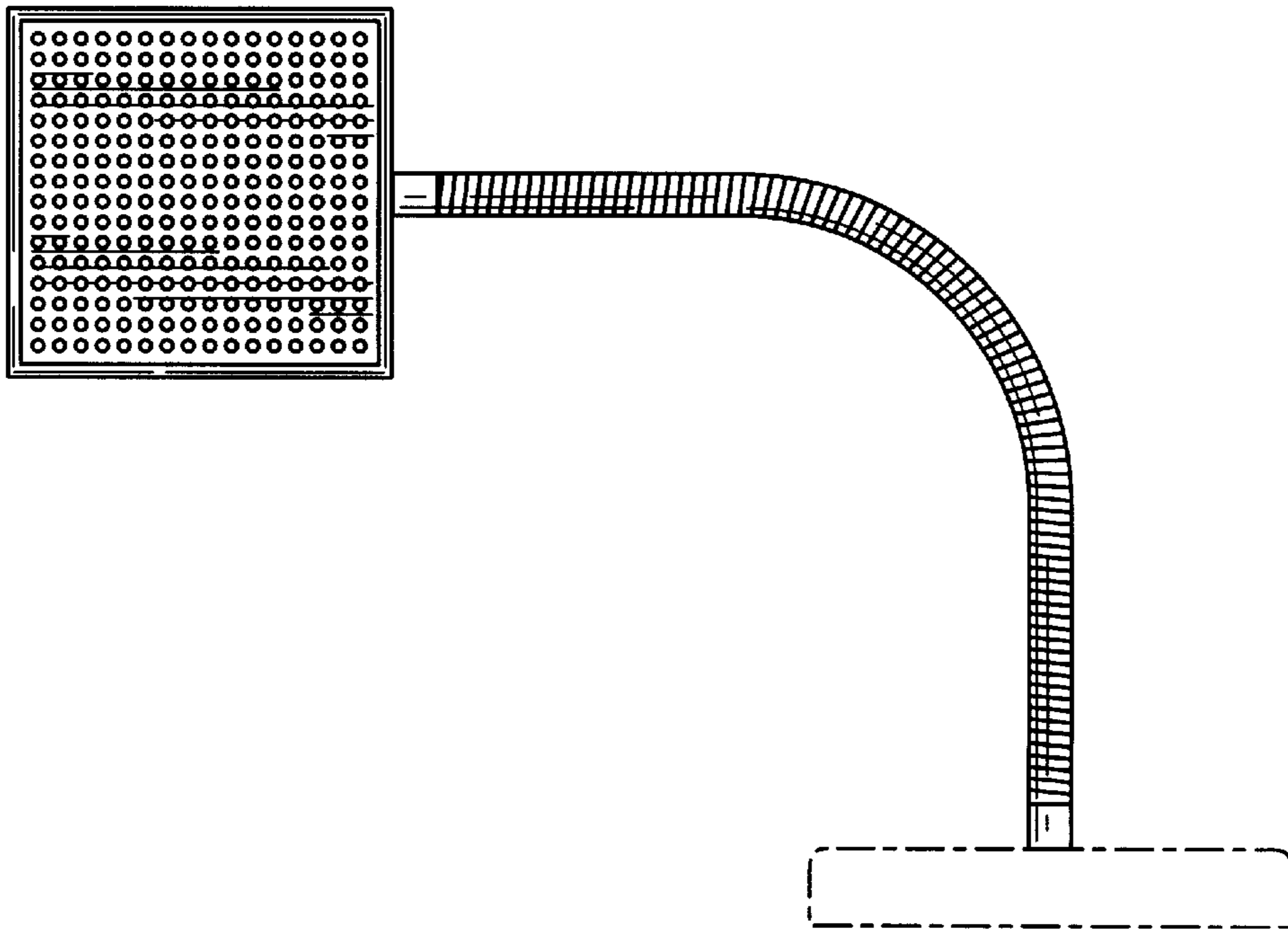


FIG. 4

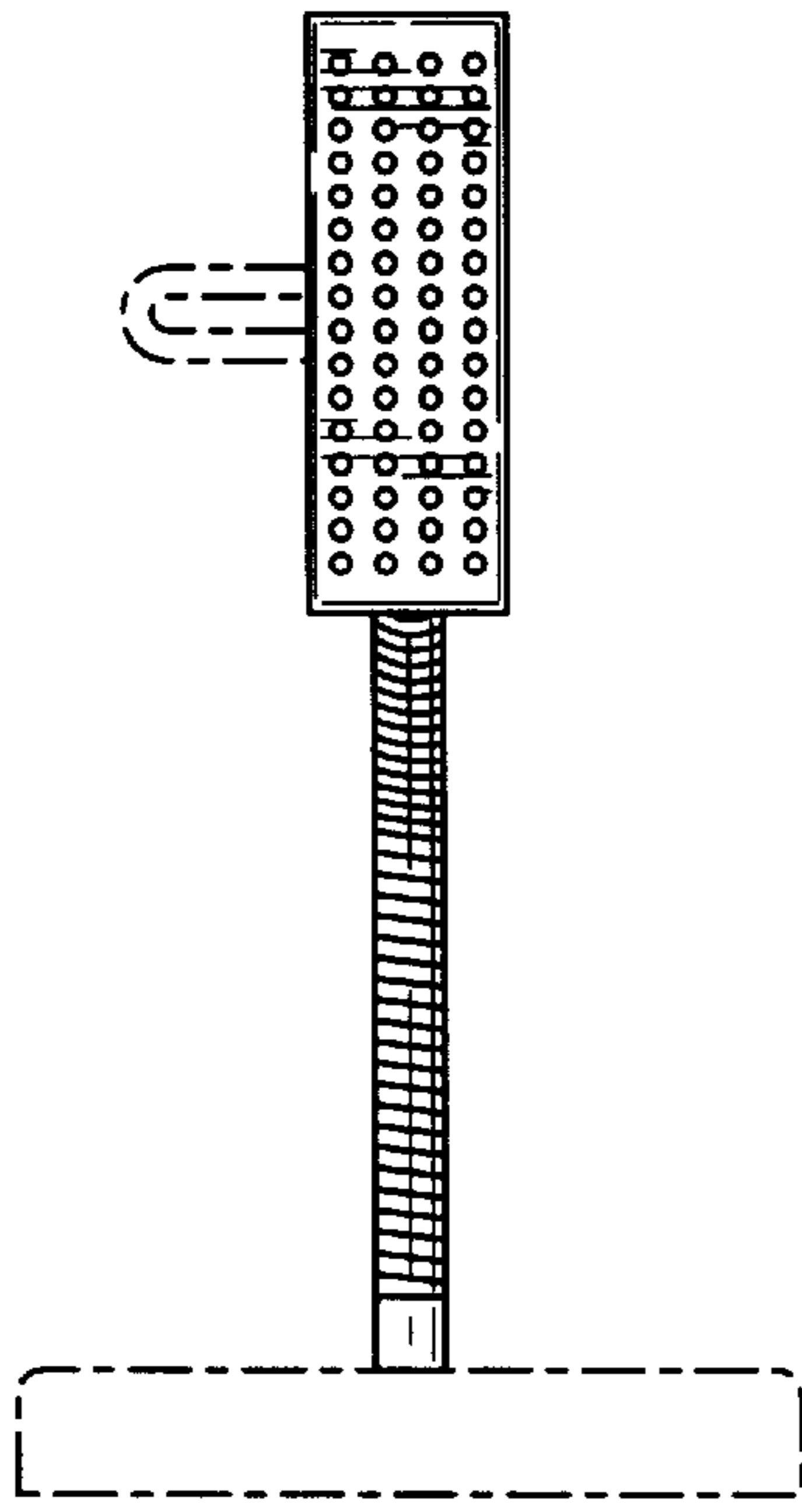


FIG. 5

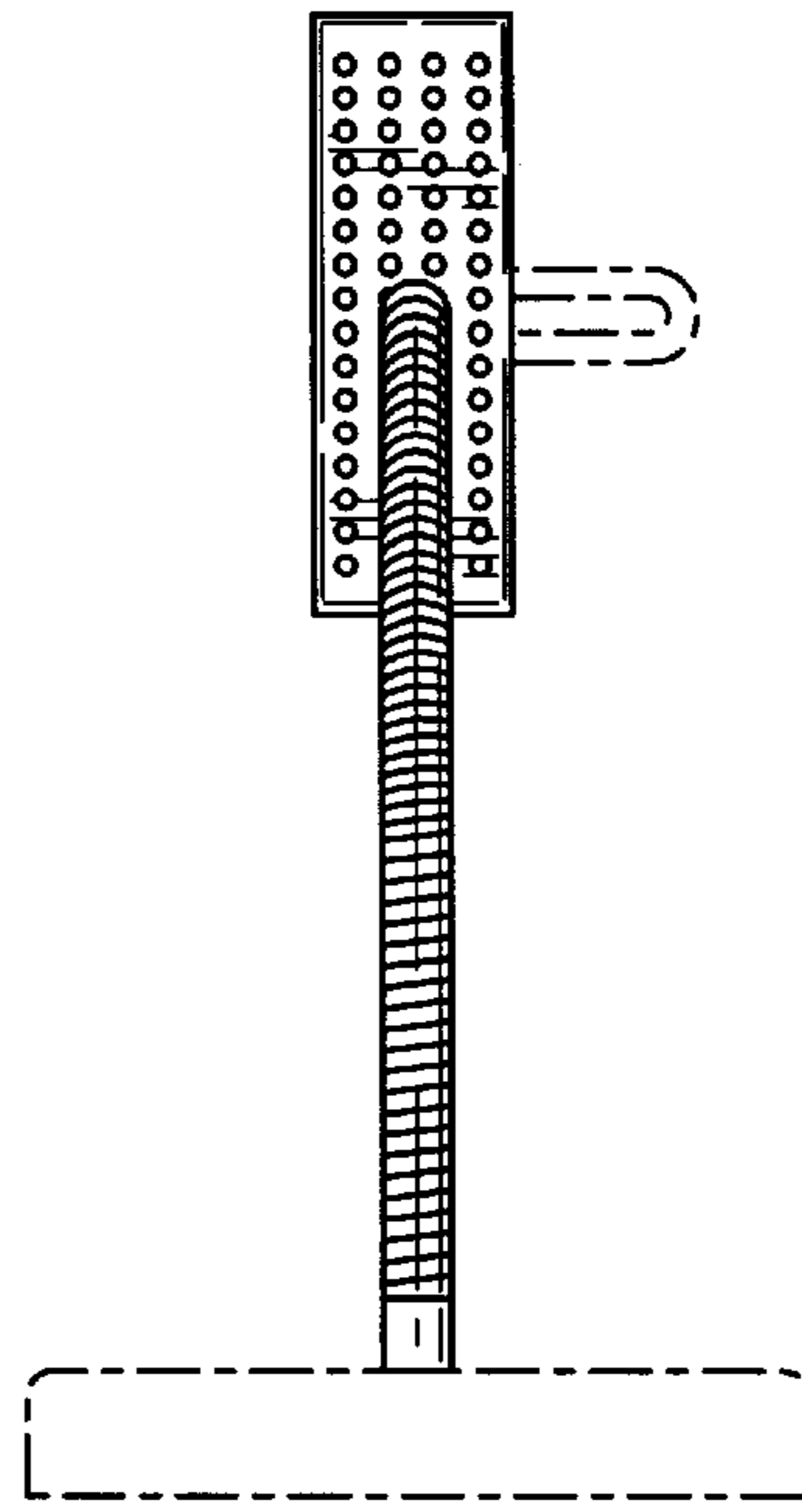


FIG. 6

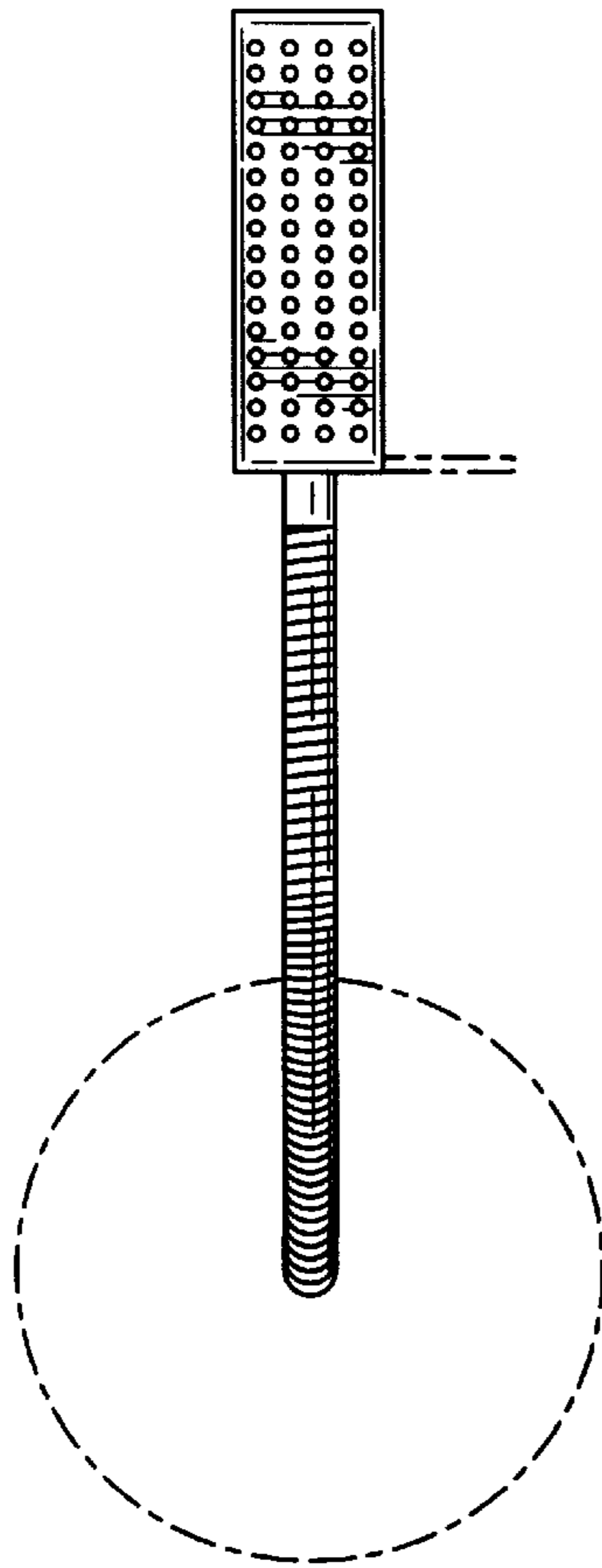


FIG. 7

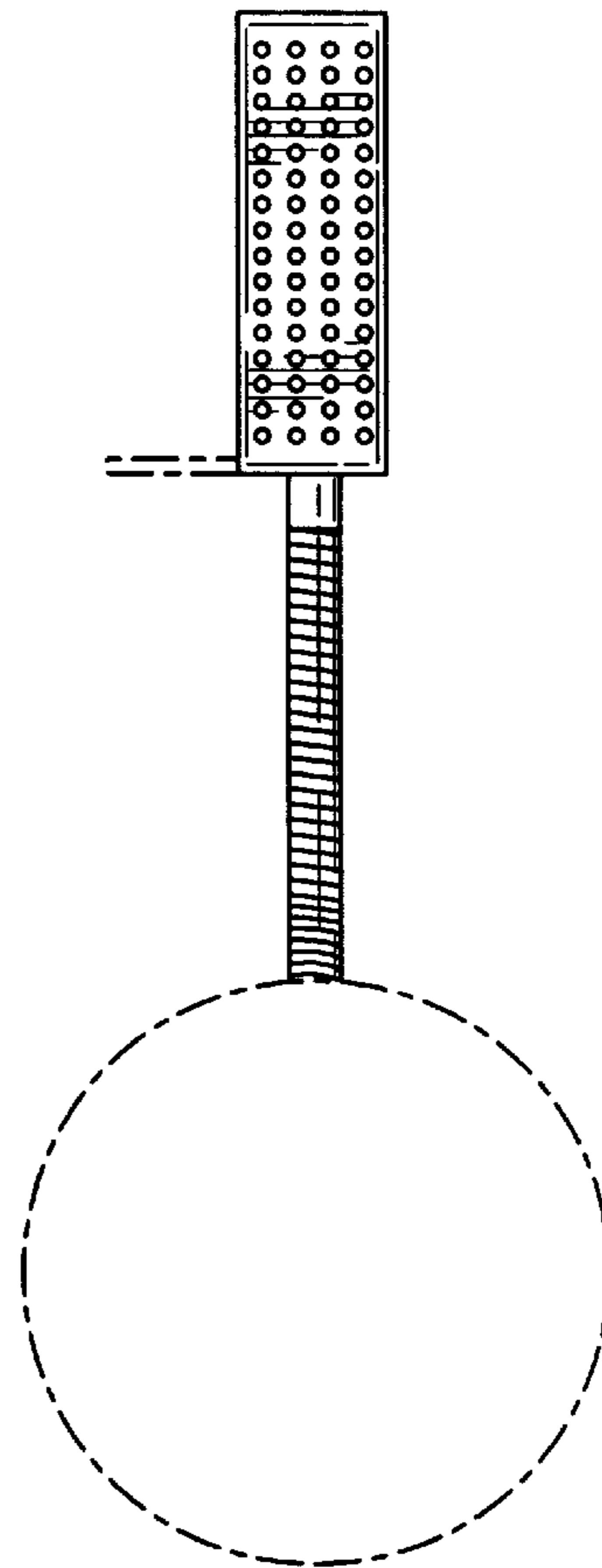


FIG. 8

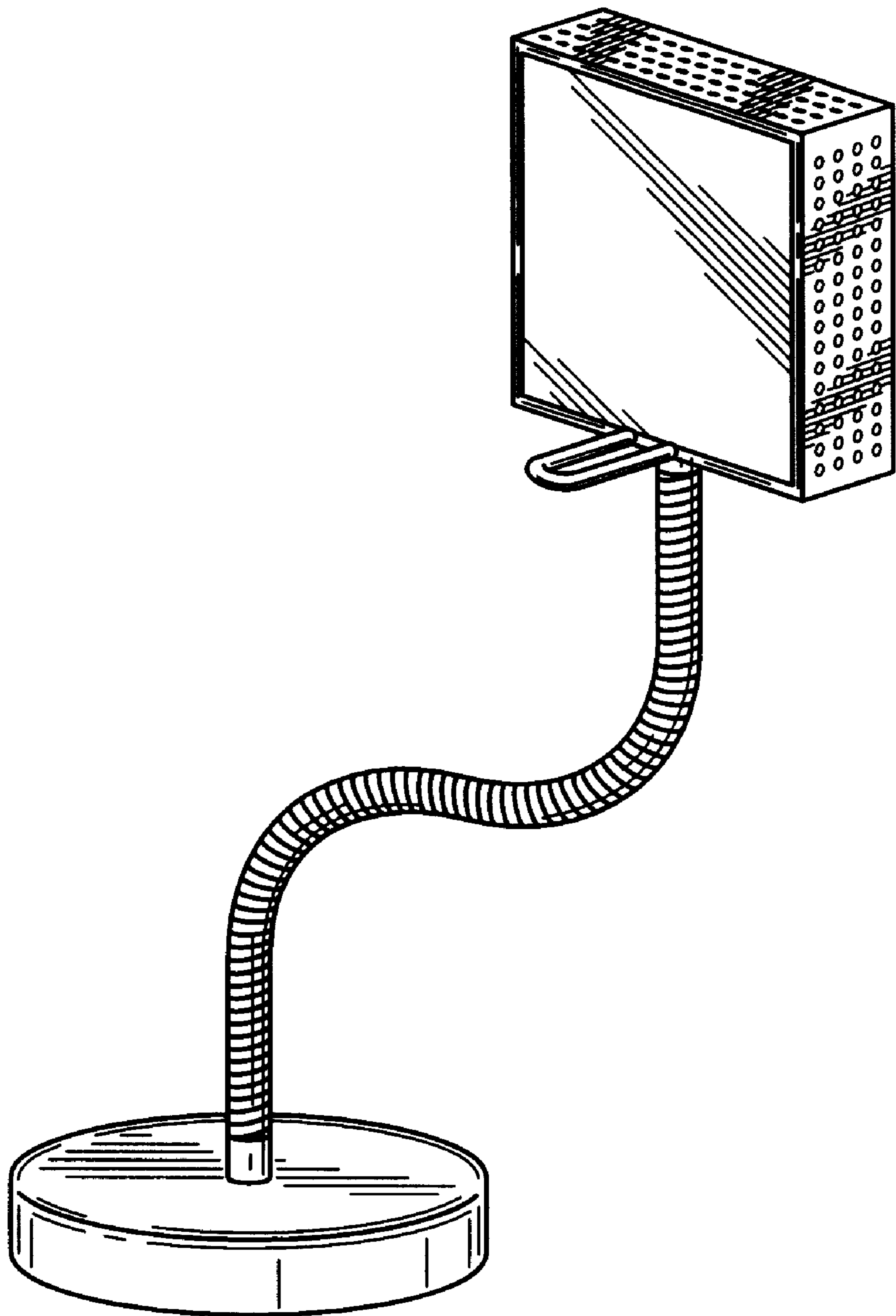


FIG. 9

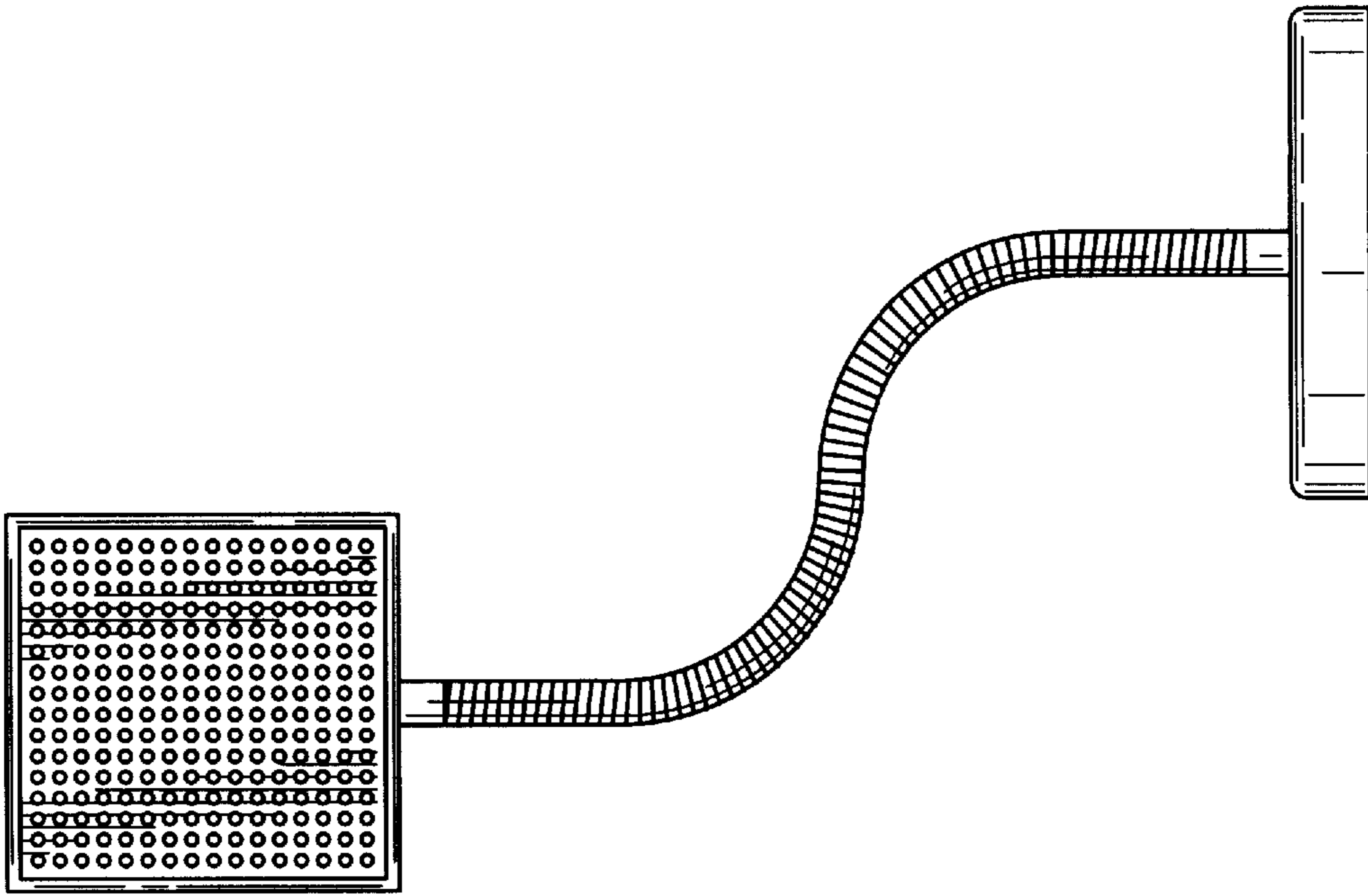


FIG. 11

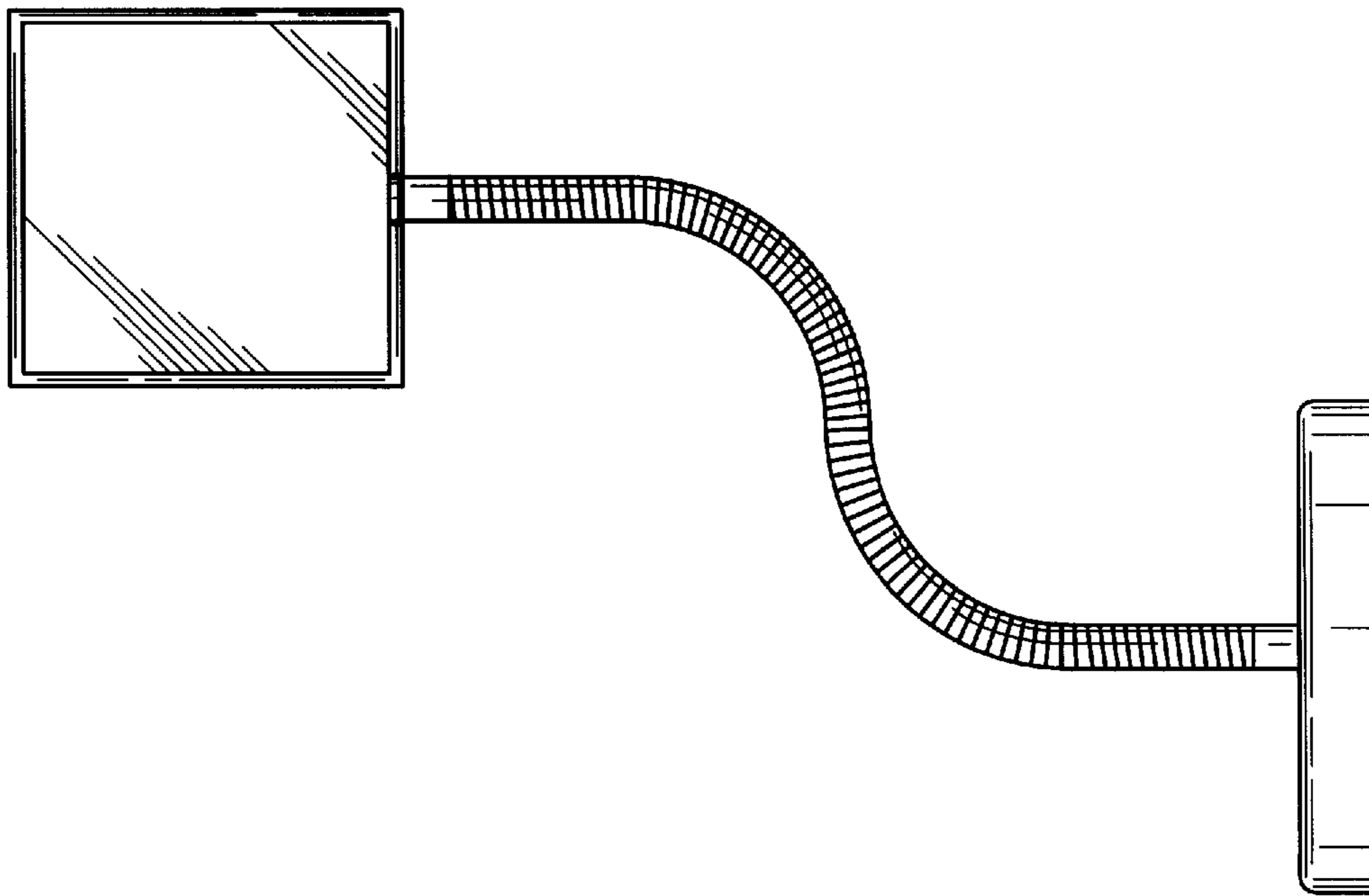


FIG. 10

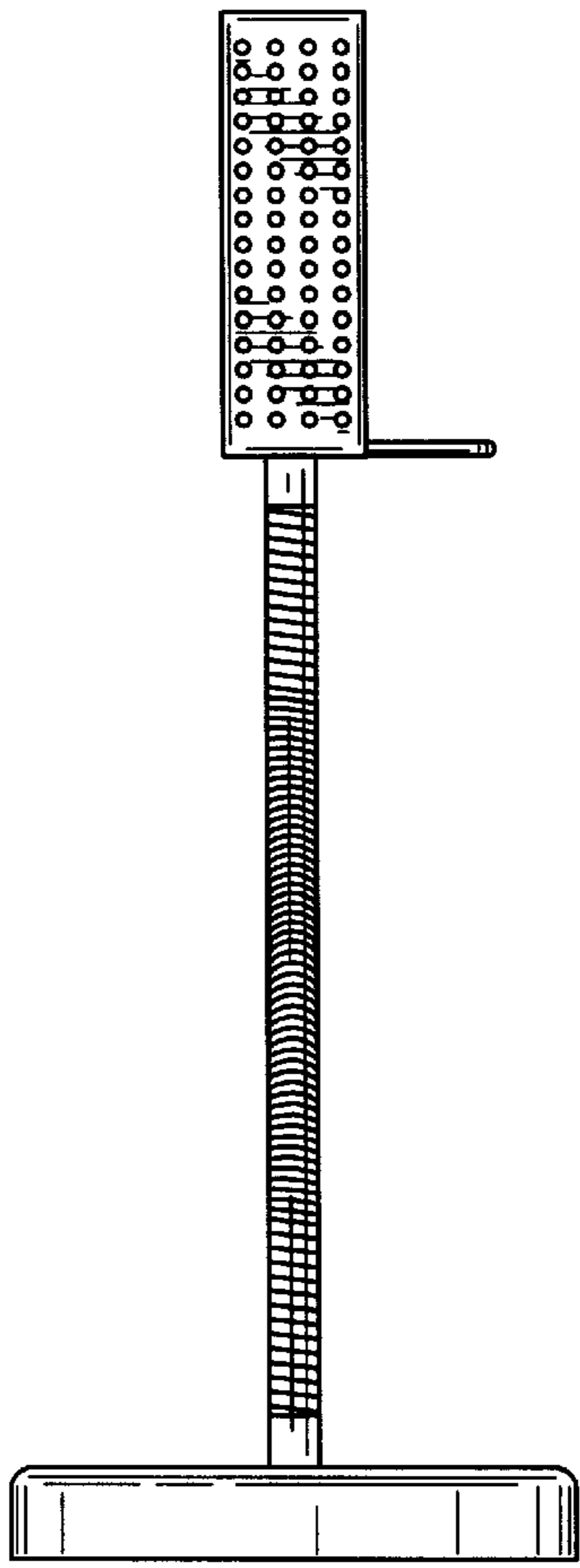


FIG. 12

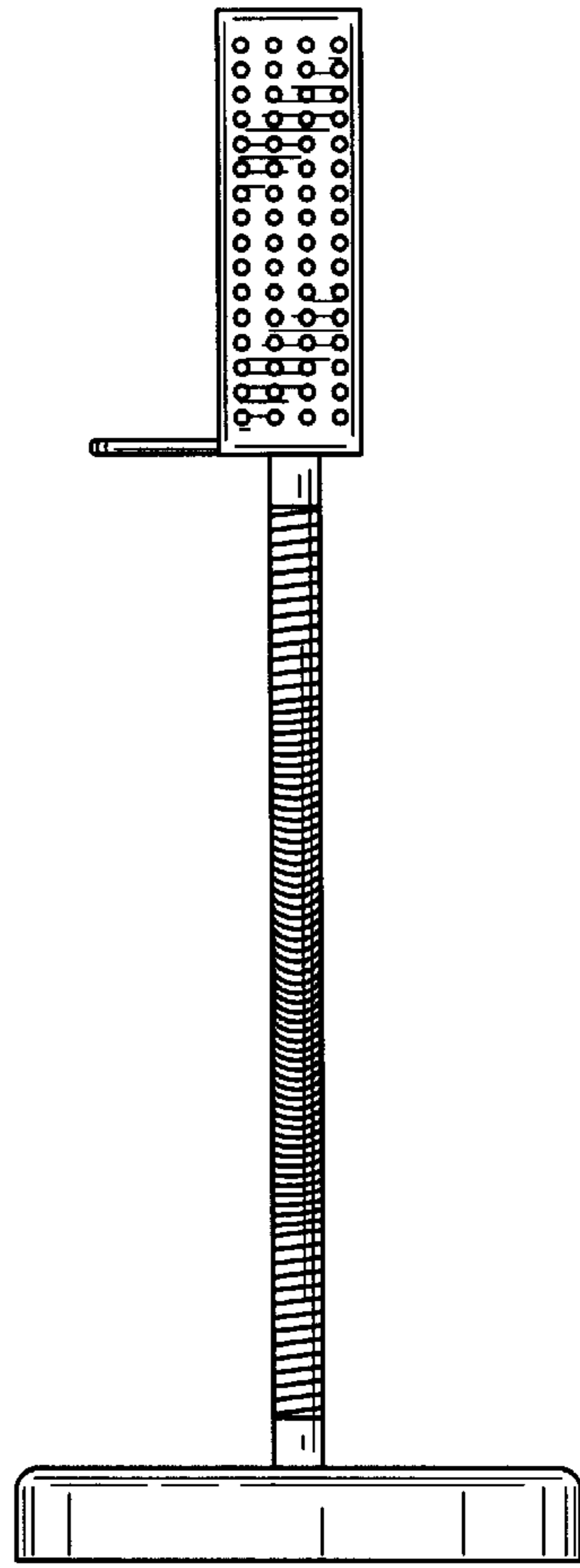


FIG. 13

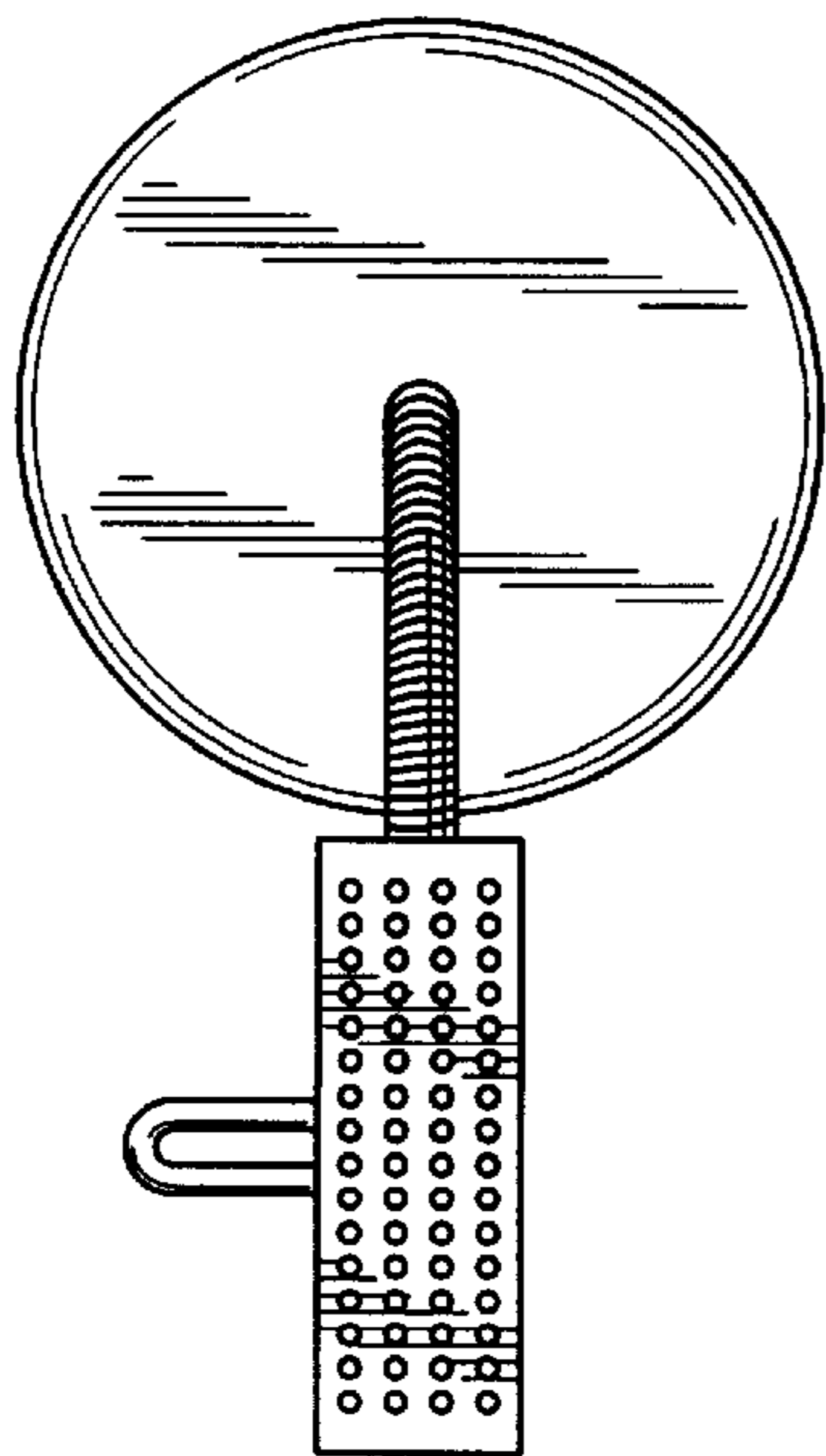


FIG. 14

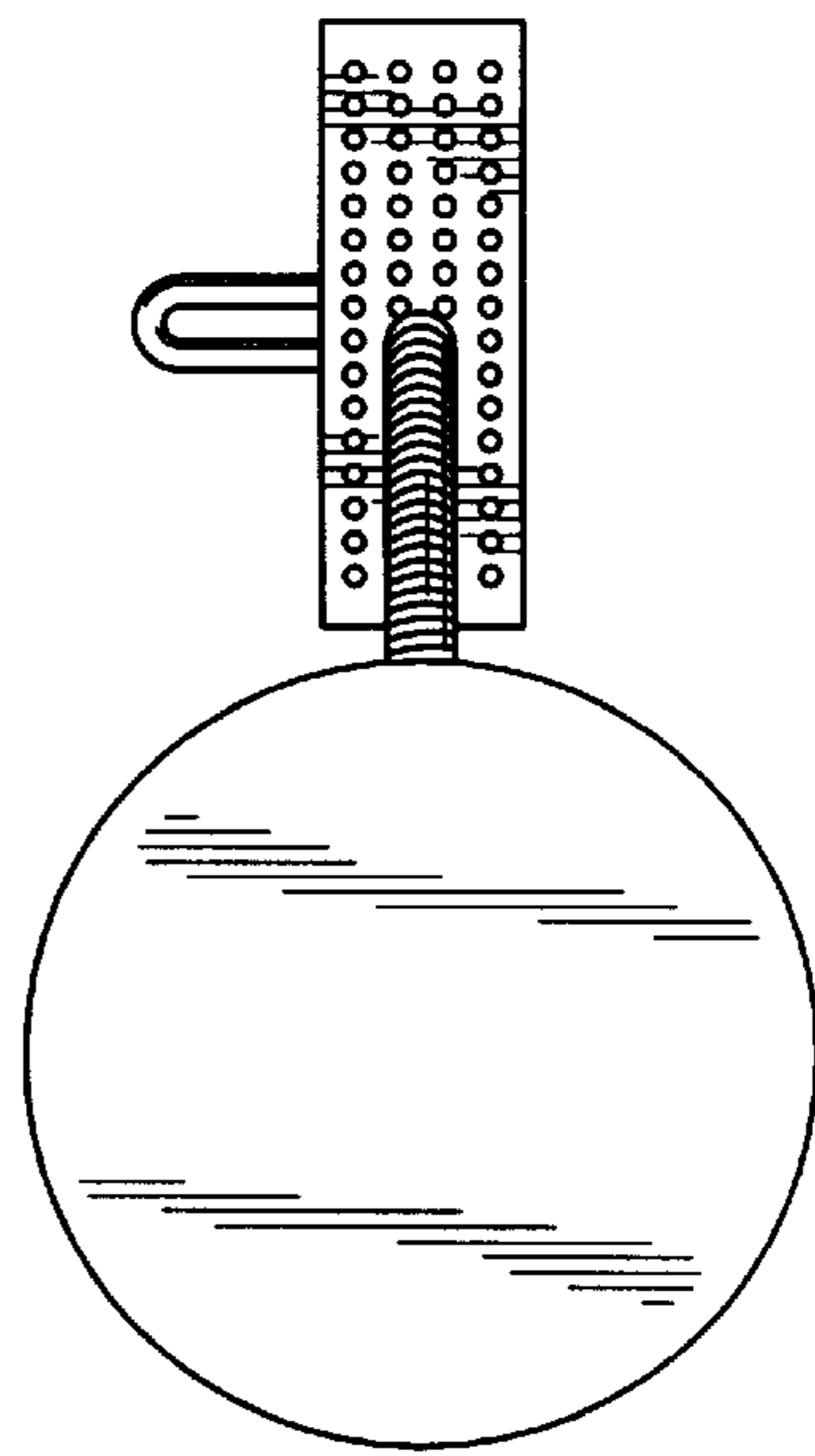


FIG. 15

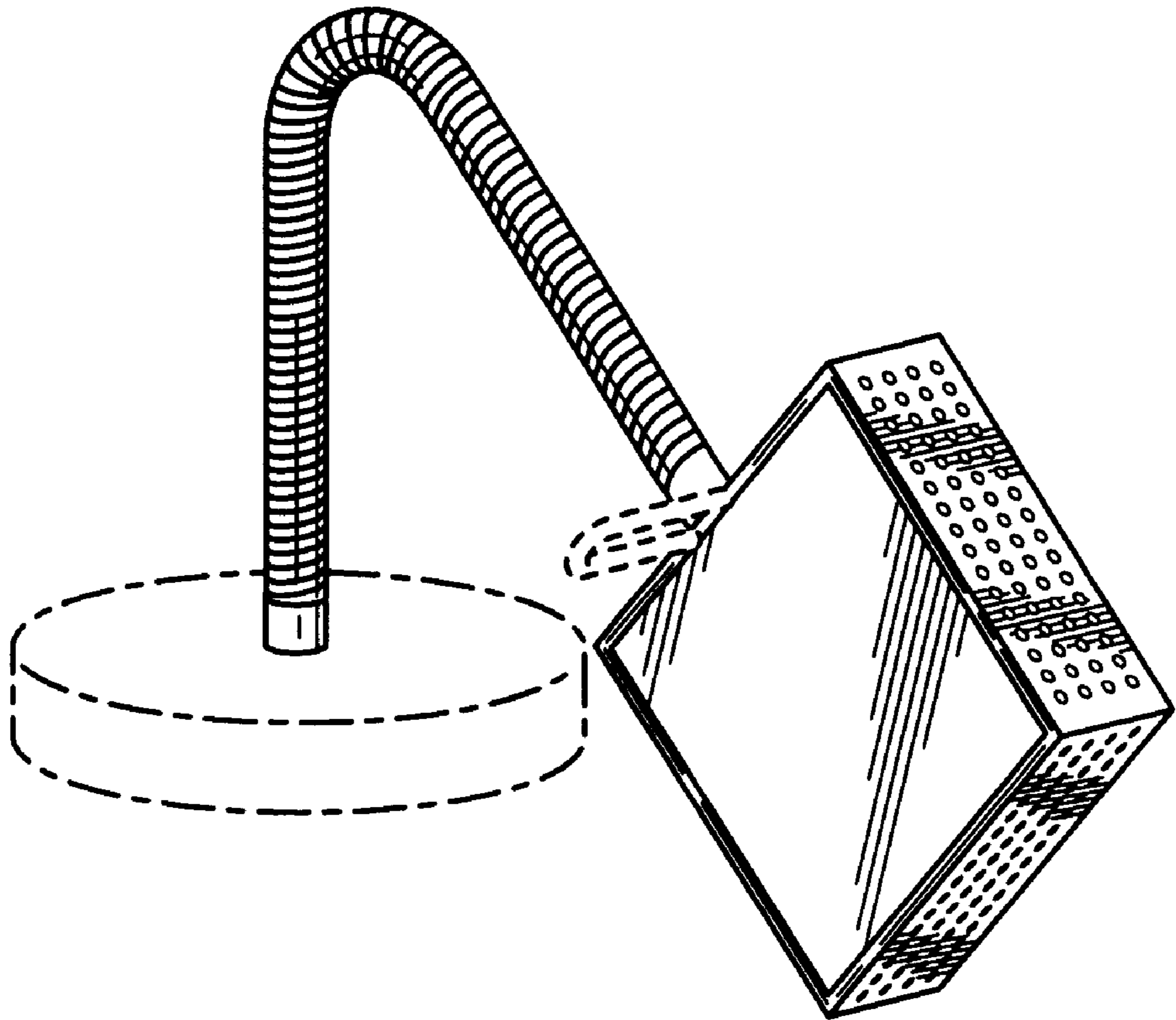


FIG. 16

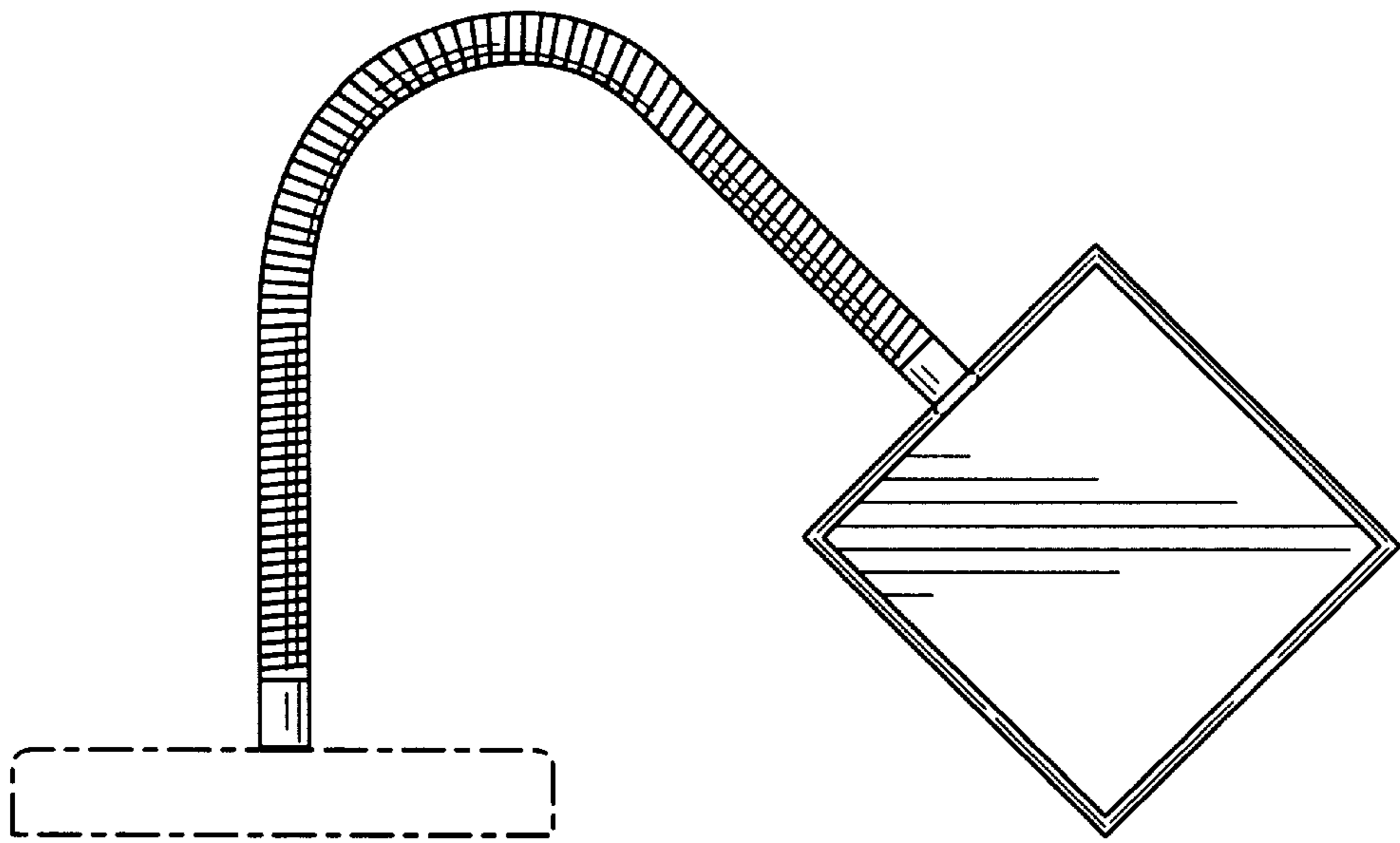


FIG. 17

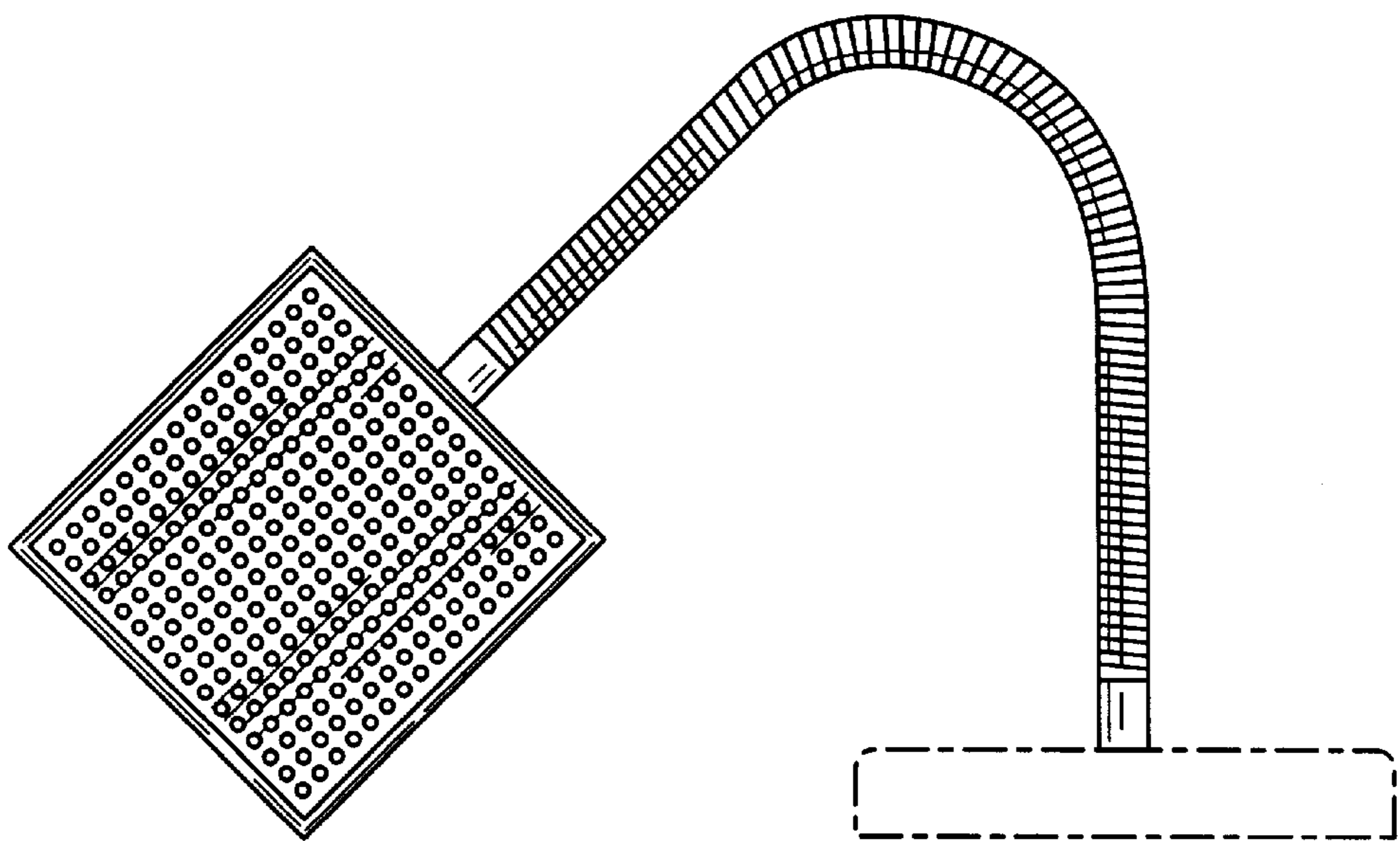


FIG. 18

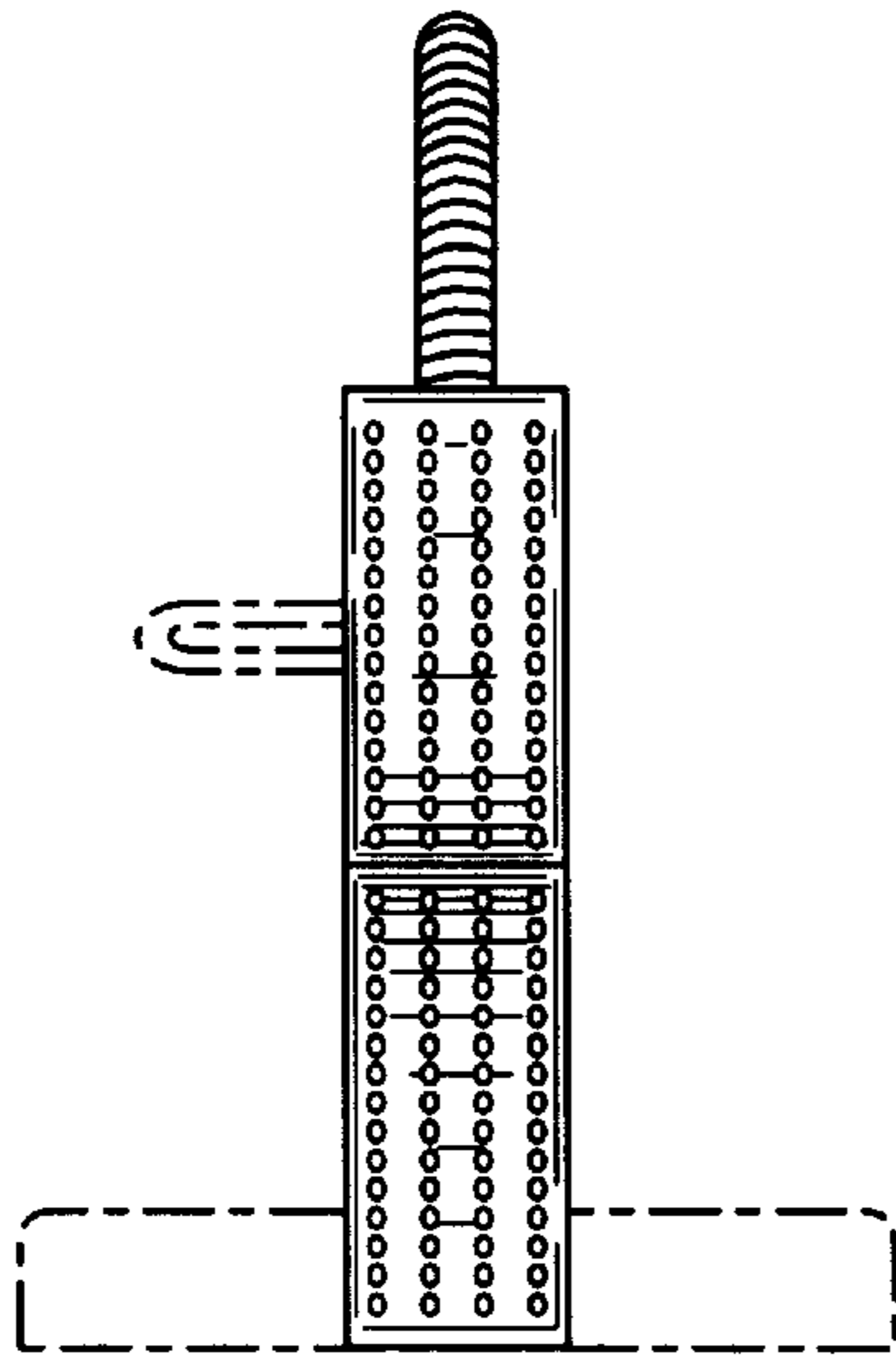


FIG. 19

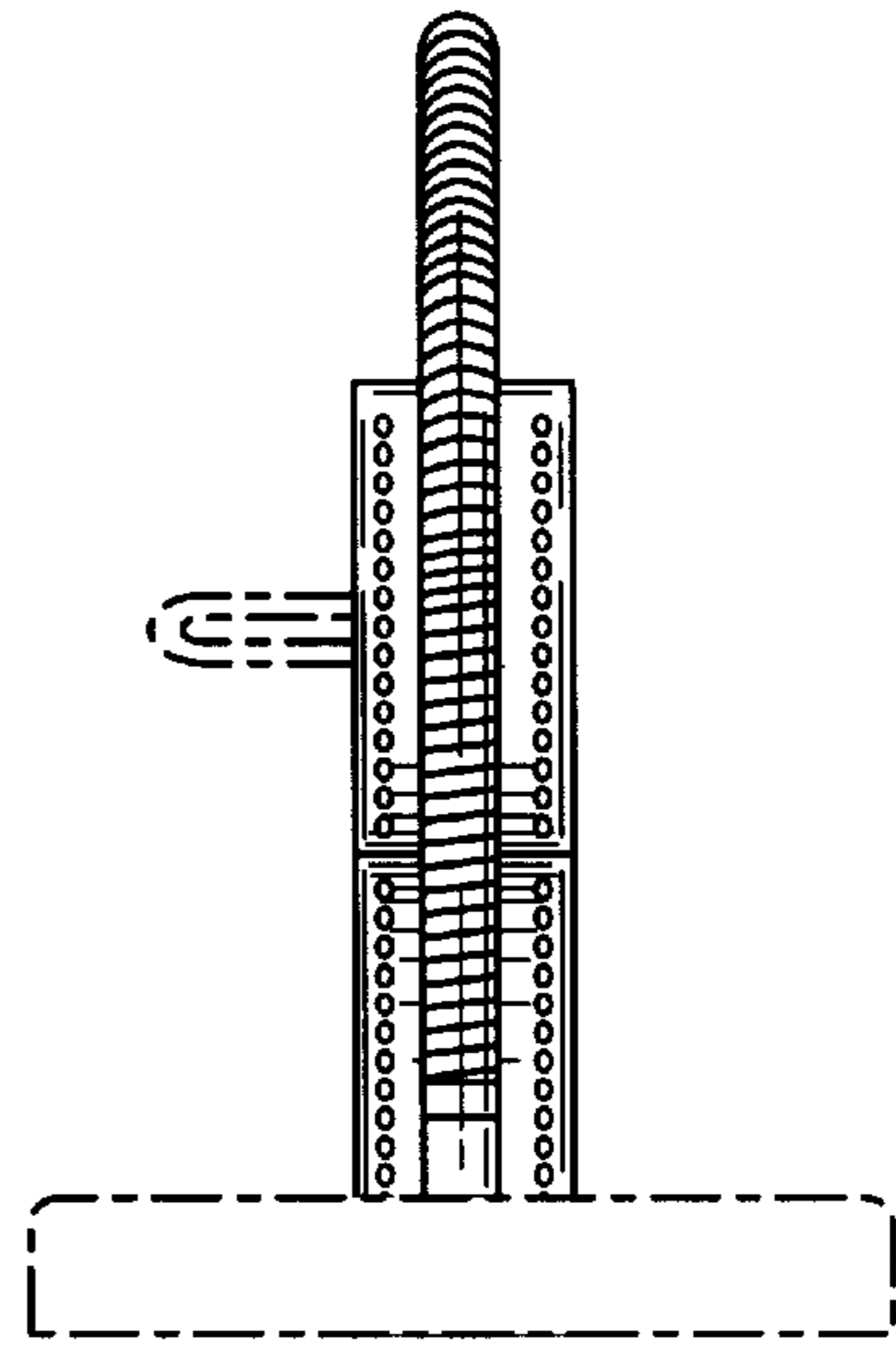


FIG. 20

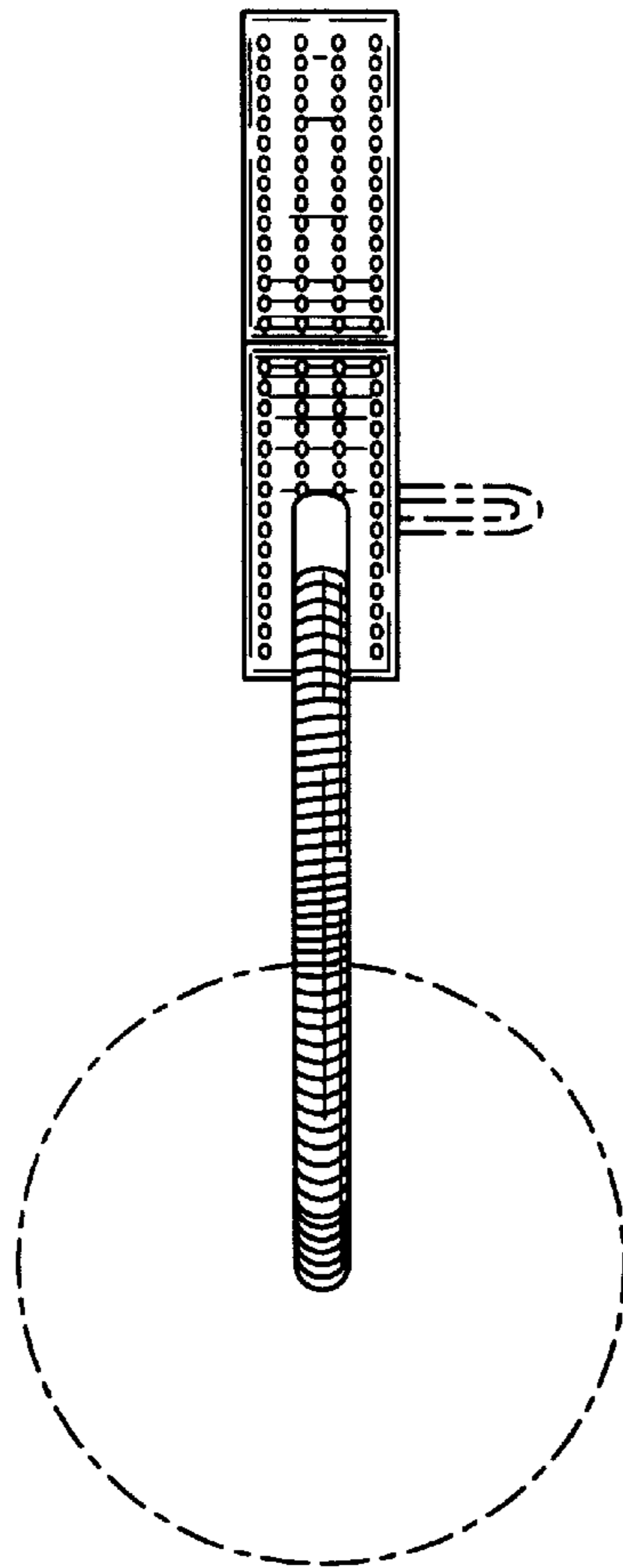


FIG. 21

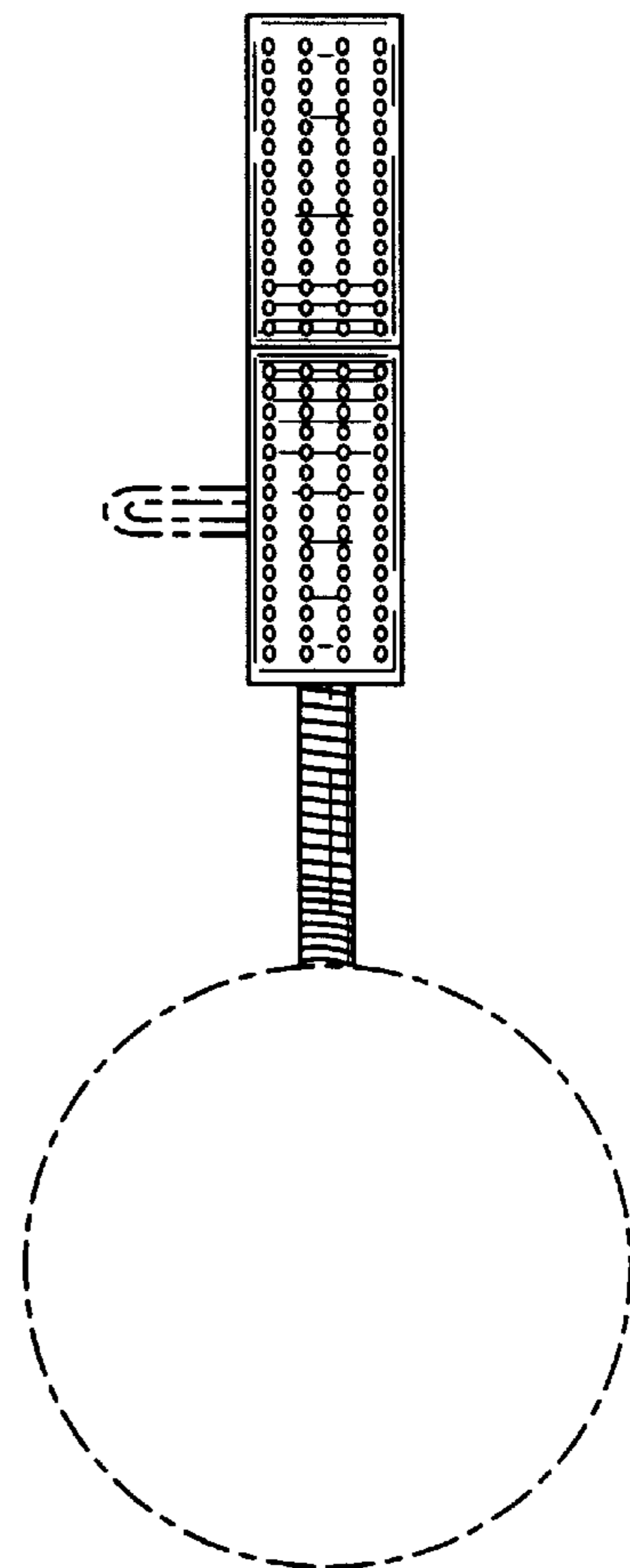


FIG. 22

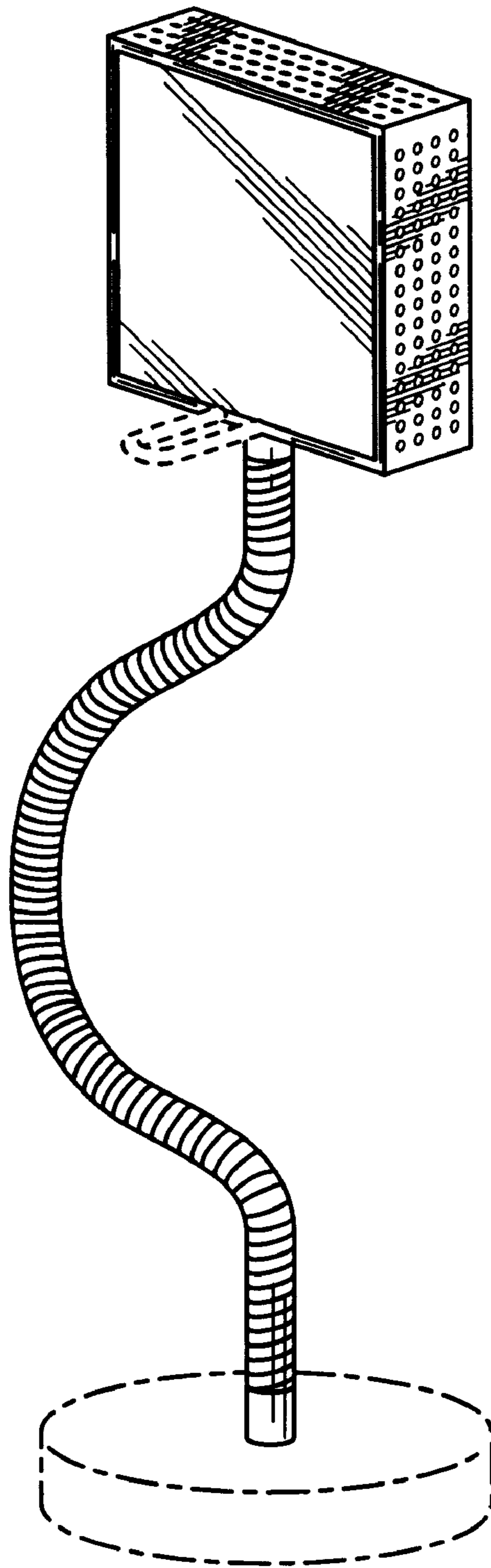


FIG. 23

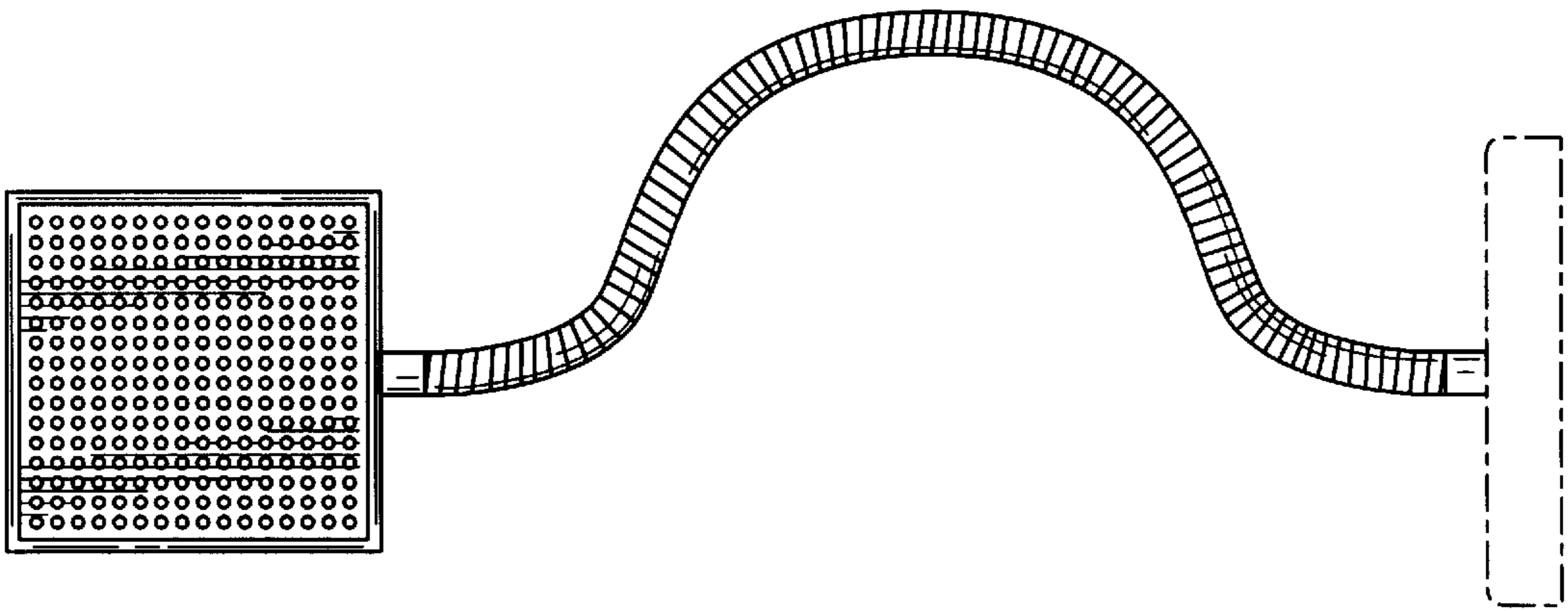


FIG. 25

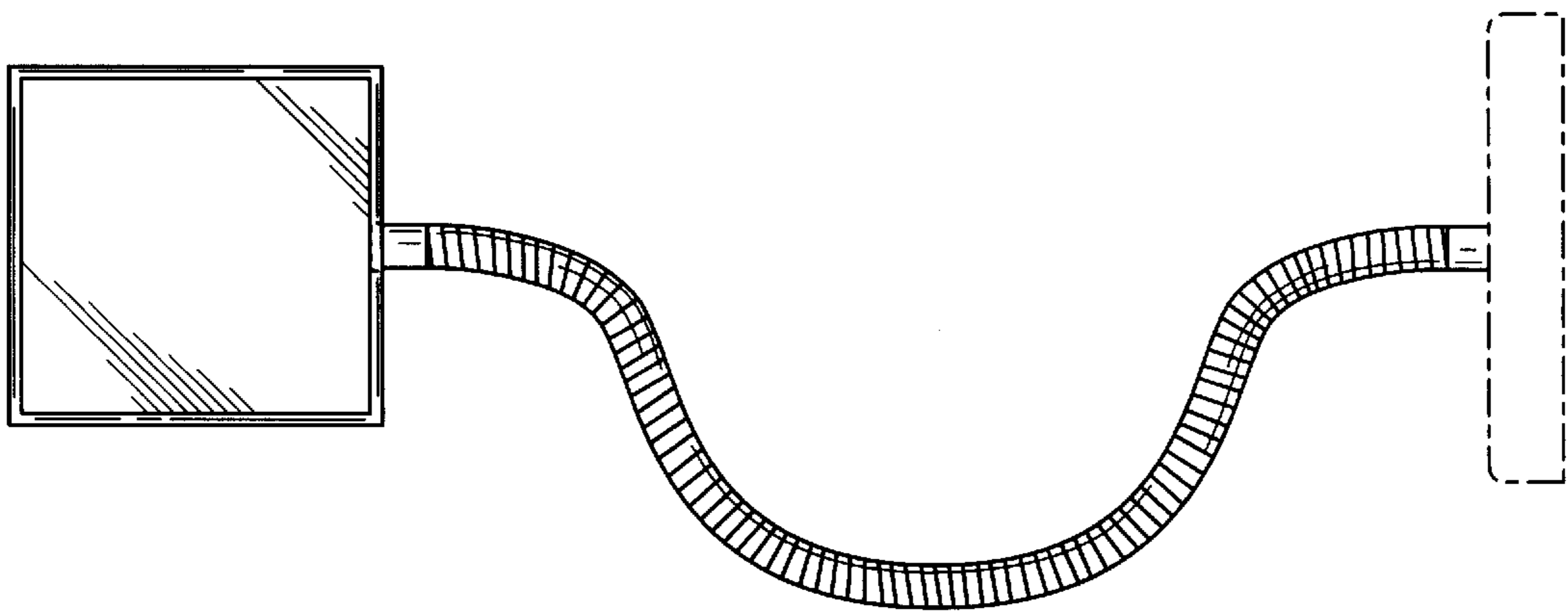


FIG. 24

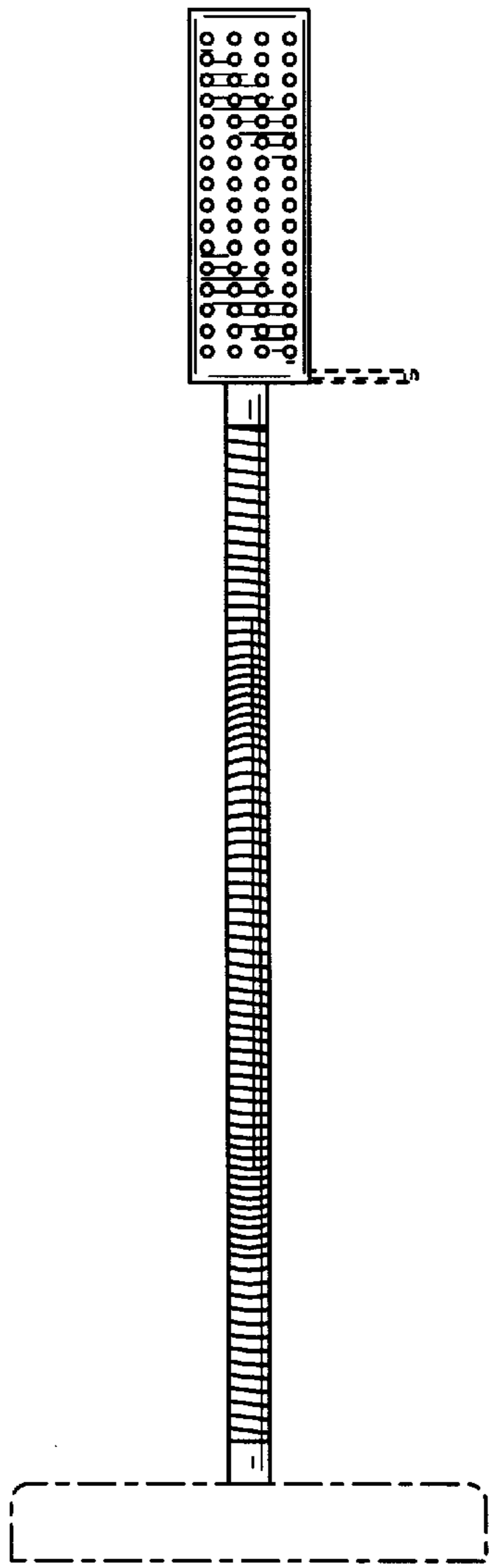


FIG. 26

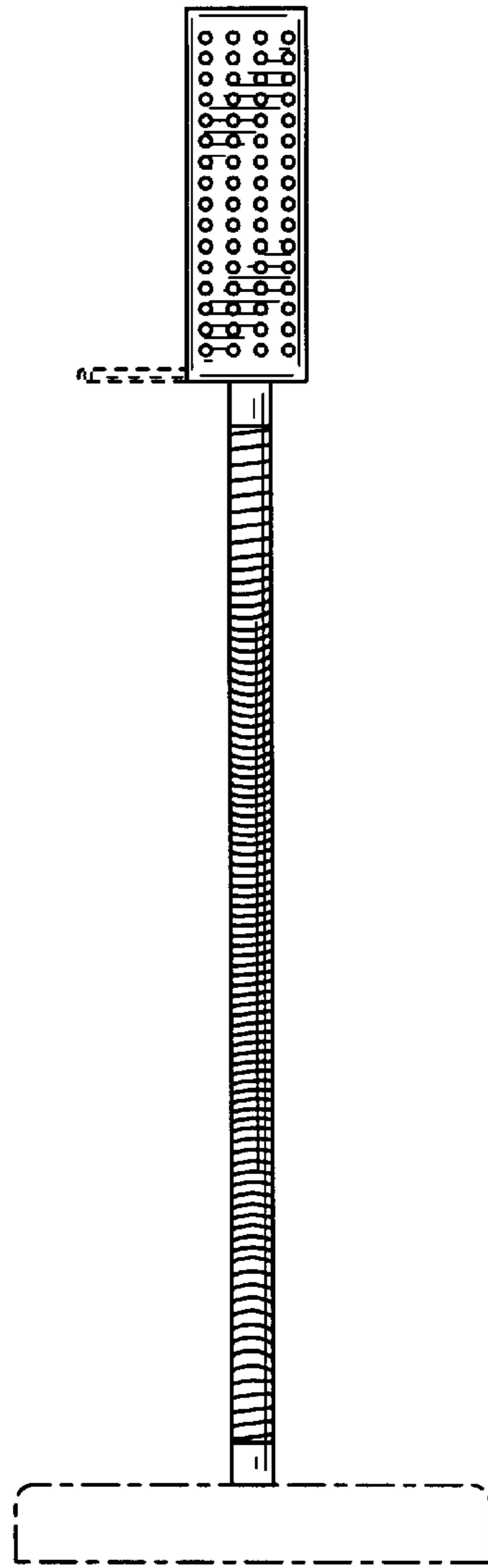


FIG. 27

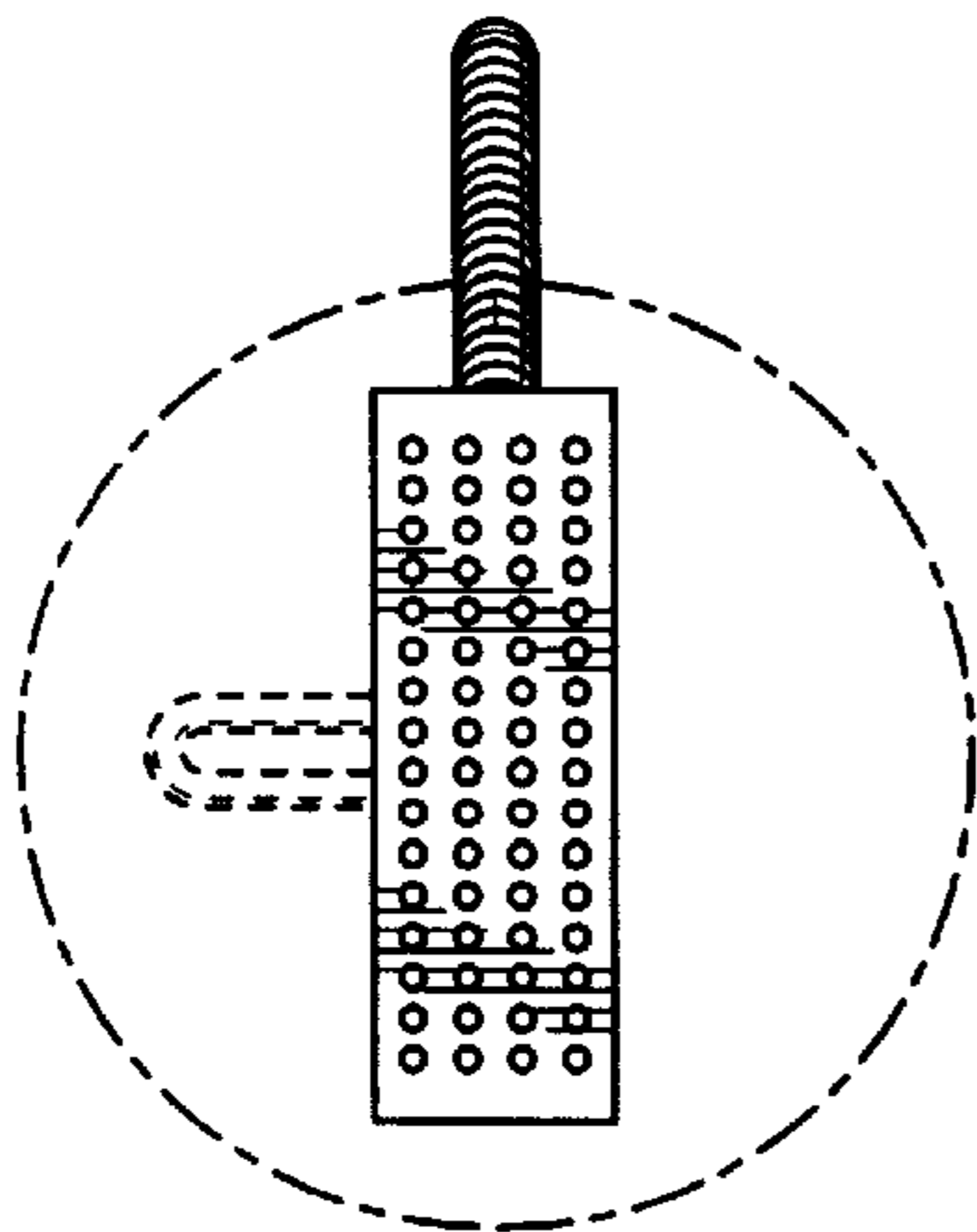


FIG. 28

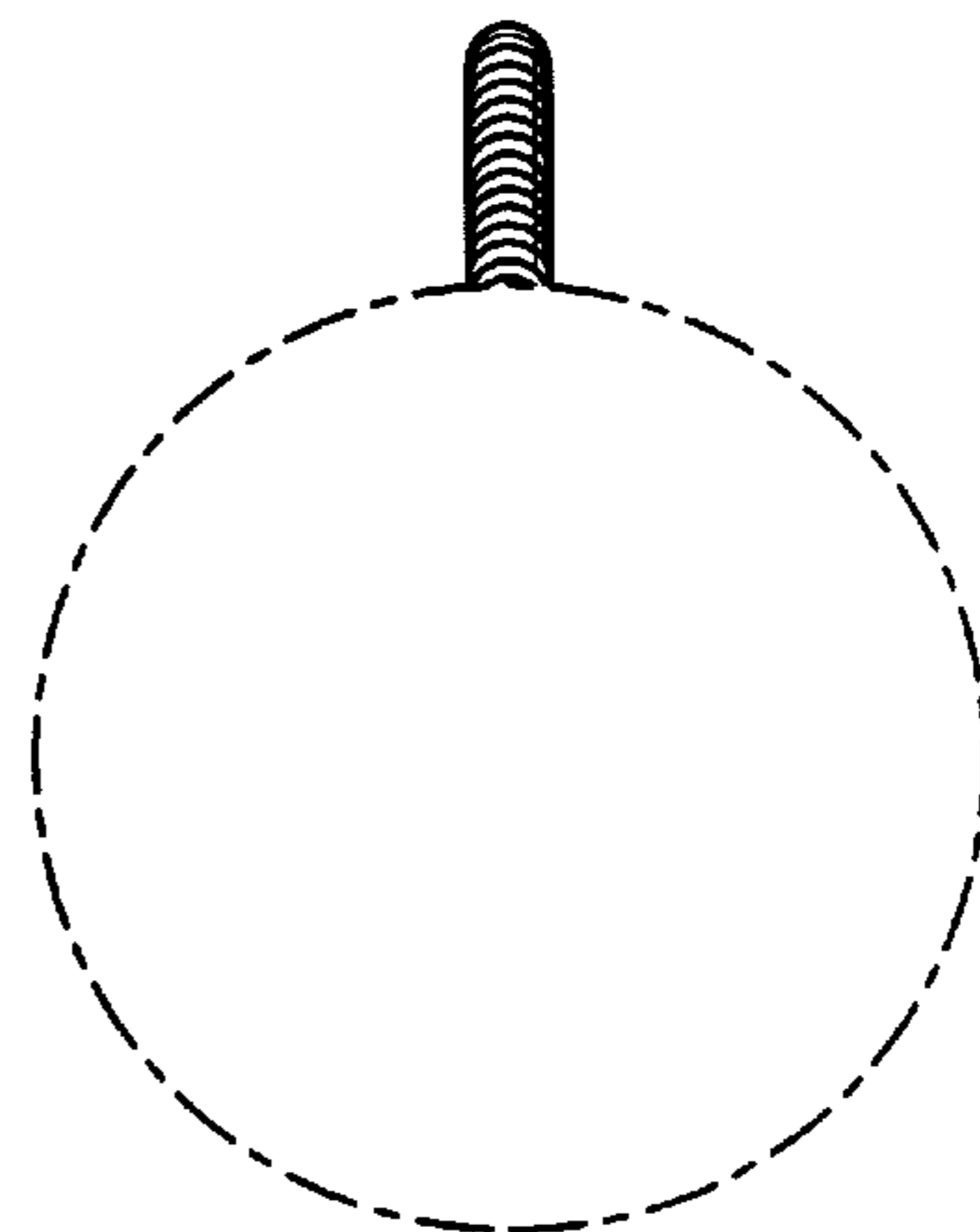


FIG. 29

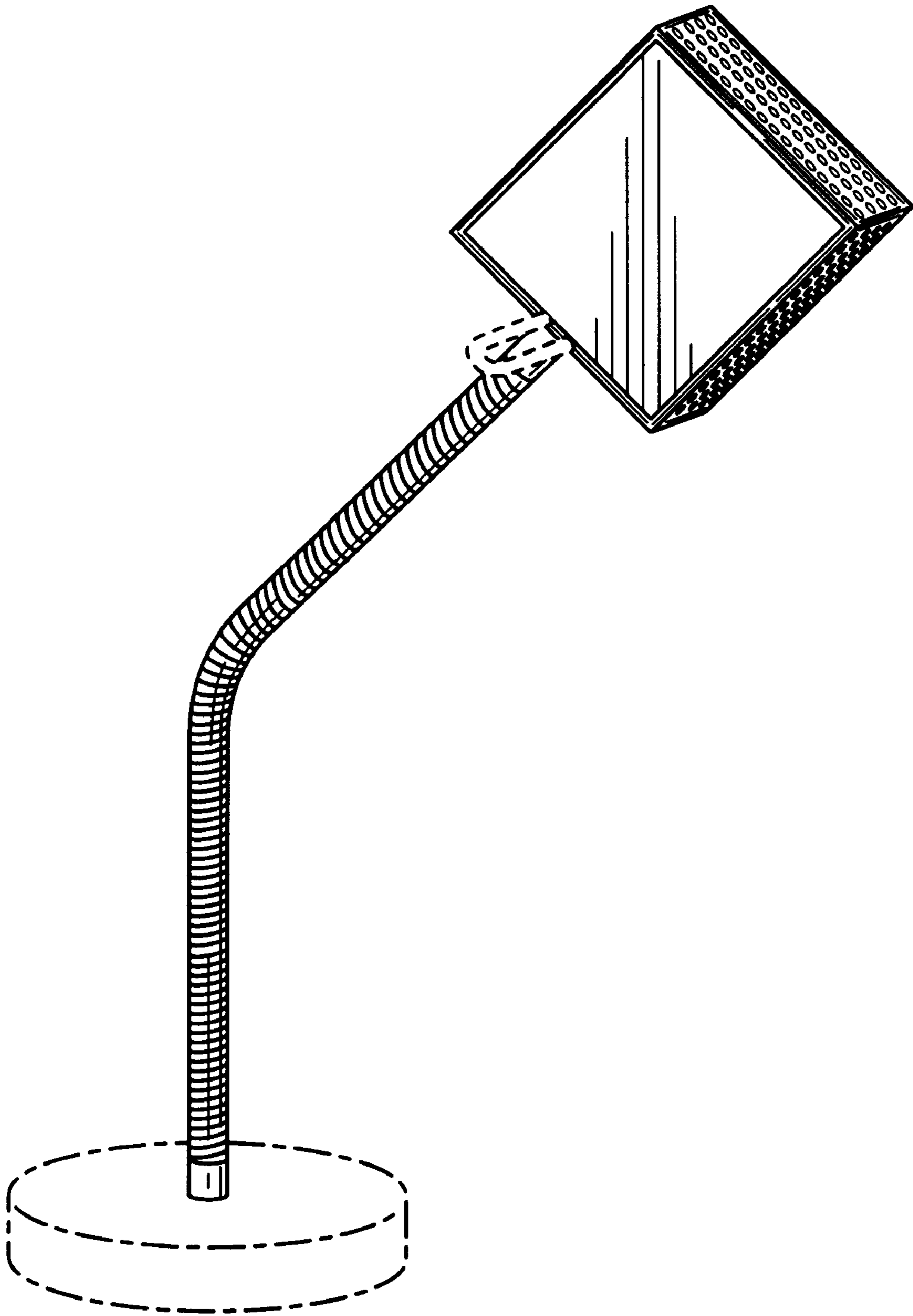


FIG. 30

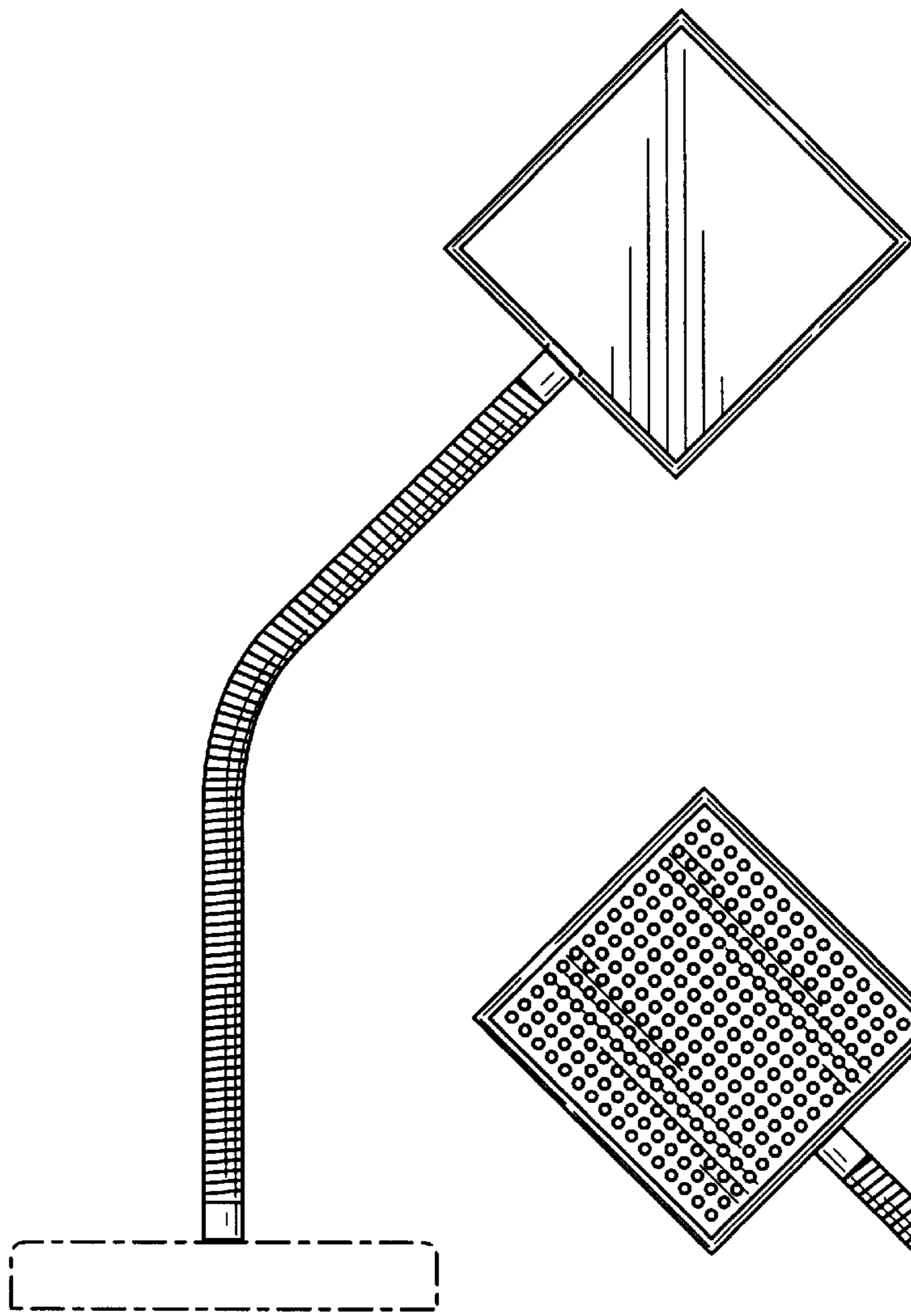


FIG. 31

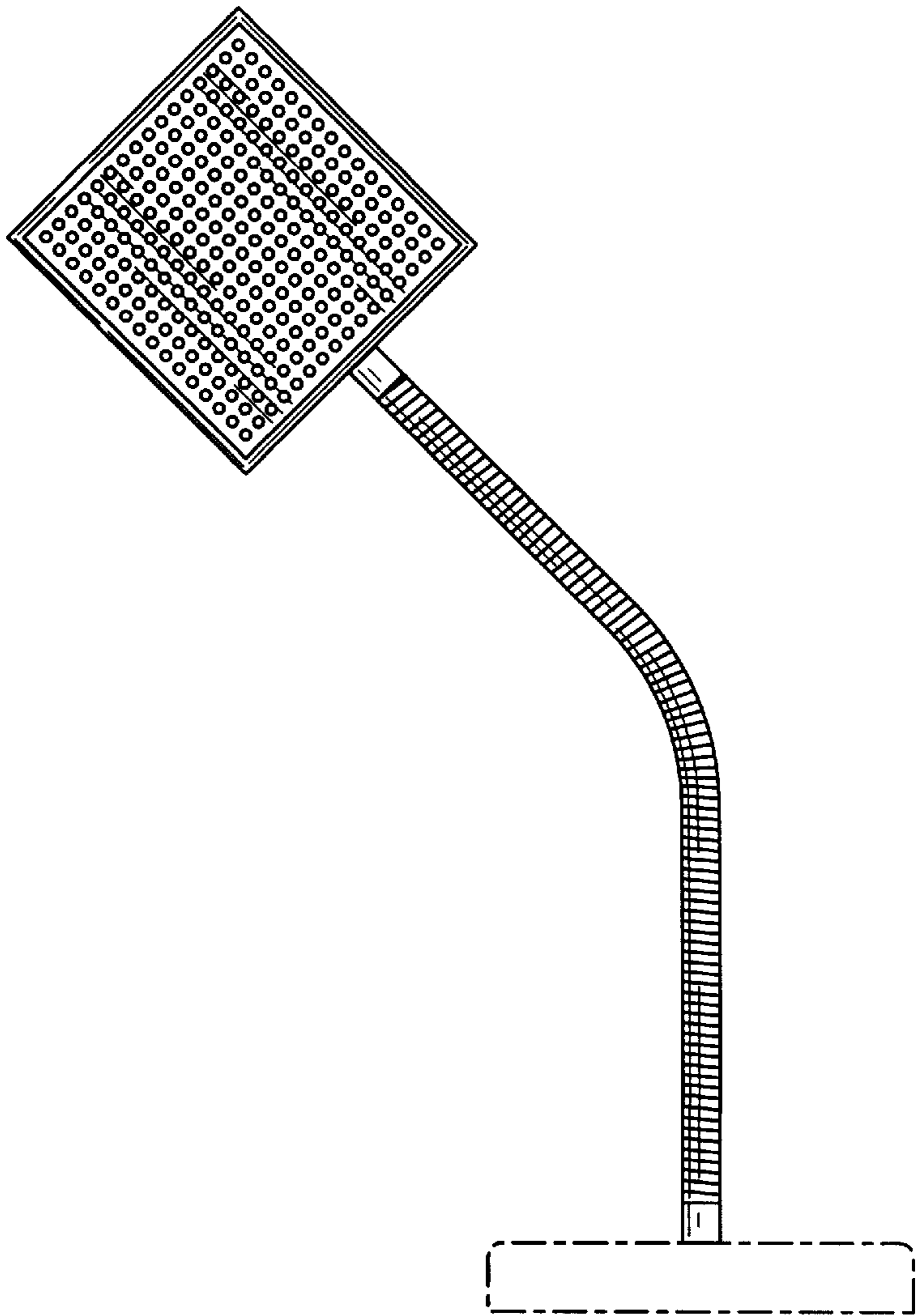


FIG. 32

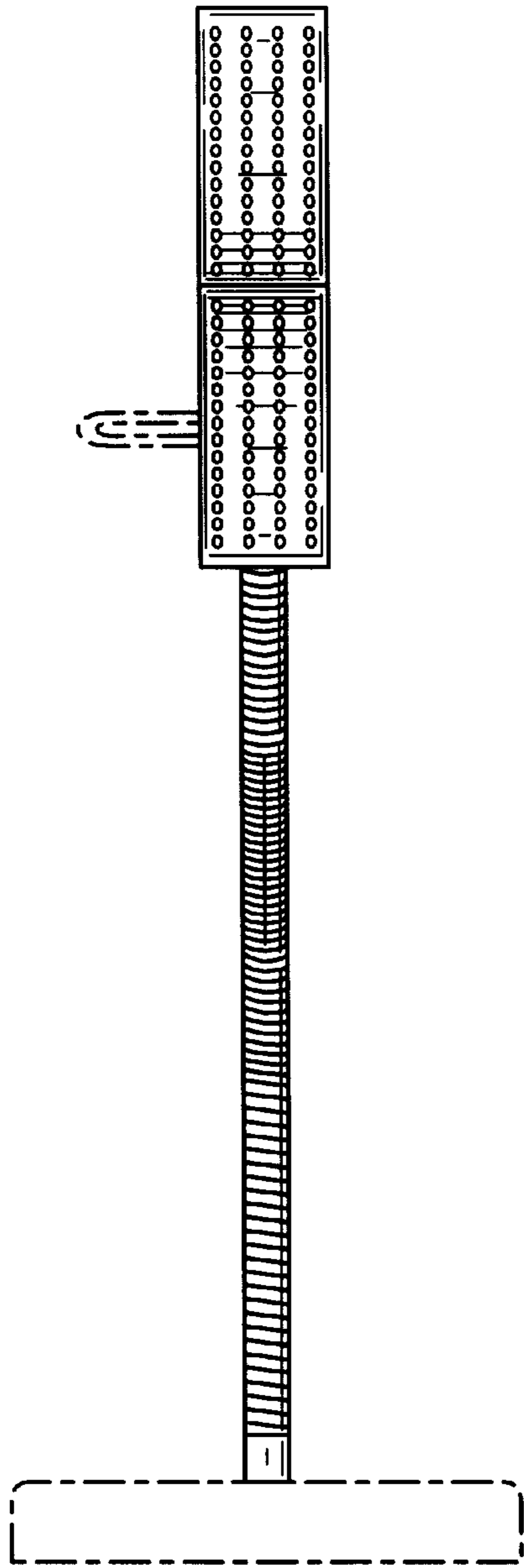


FIG. 33

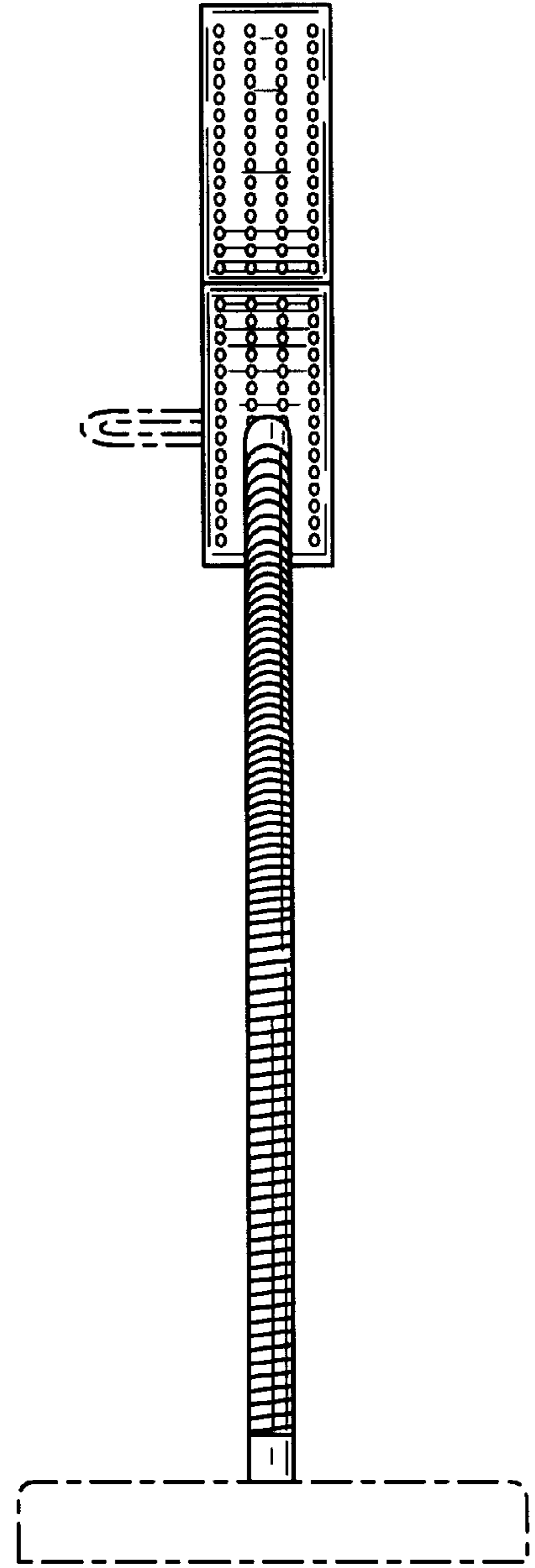


FIG. 34

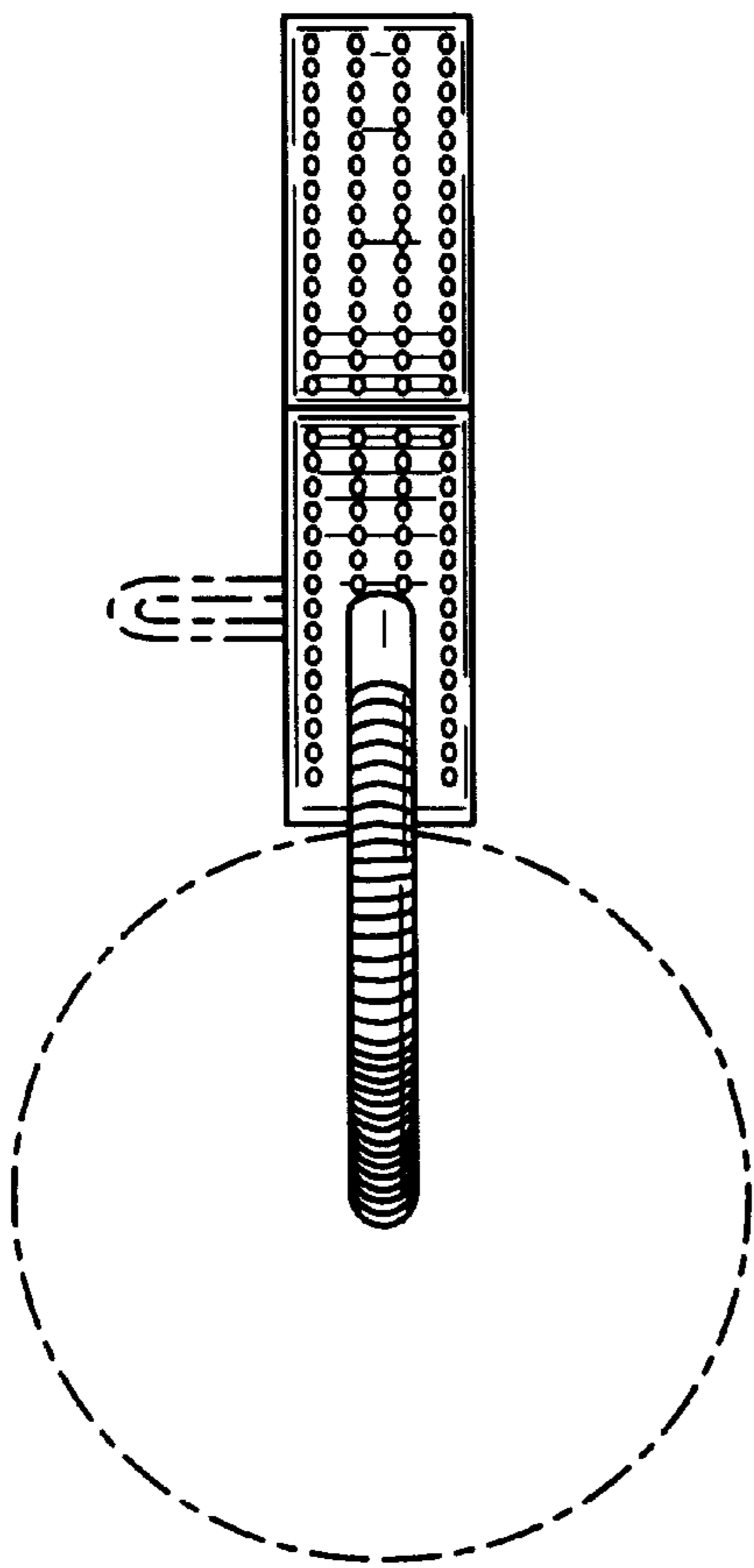


FIG. 35

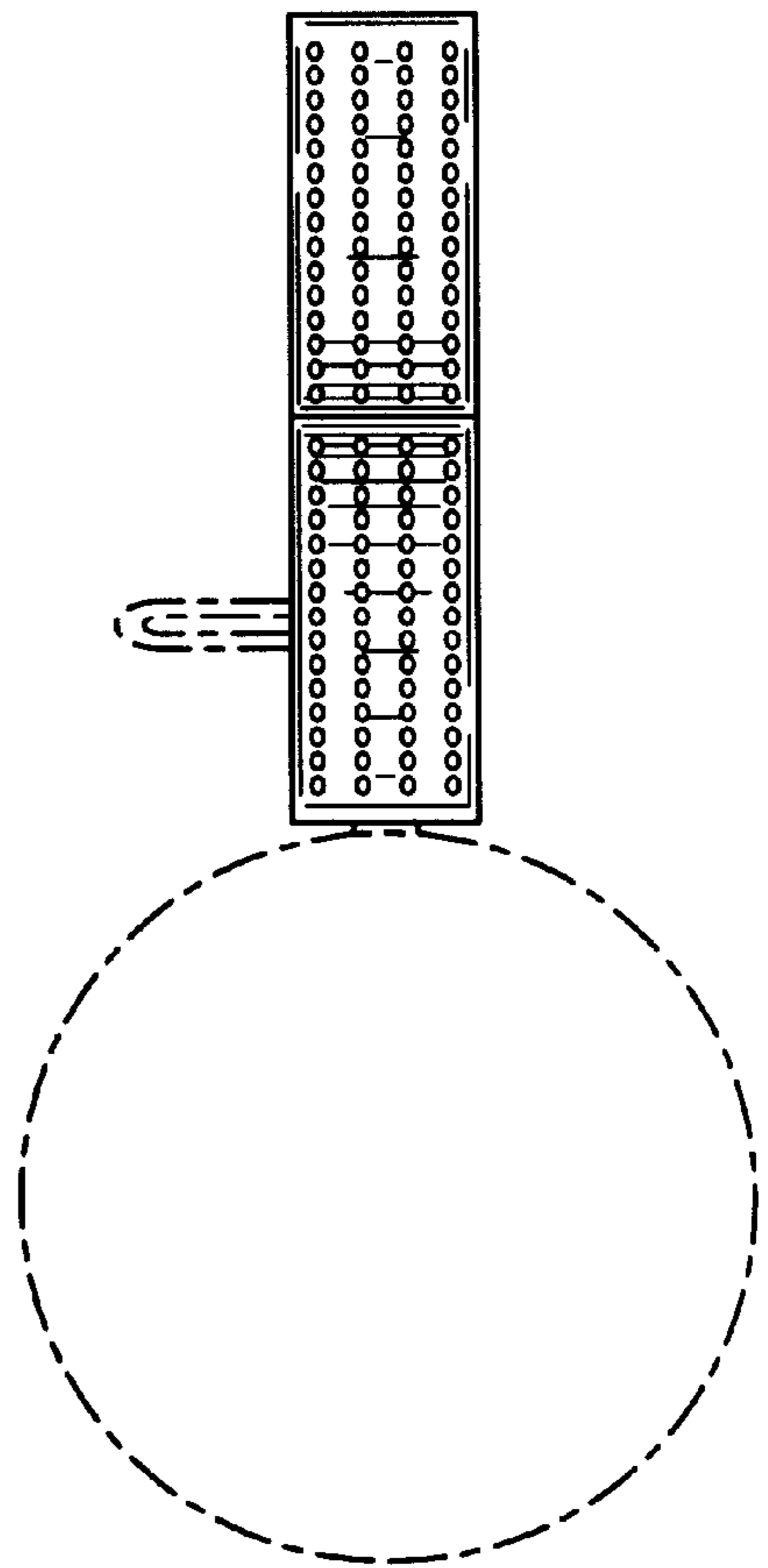


FIG. 36