



US00D425650S

United States Patent [19]

Salcedo Ramos

[11] Patent Number: Des. 425,650

[45] Date of Patent: ** May 23, 2000

[54] LAMP

D. 411,328 6/1999 Lin D26/101

[76] Inventor: Luar Salcedo Ramos, 3067 Eddes St., West Covina, Calif. 91791

OTHER PUBLICATIONS

Taiwan Lighting, p. 78, Lamp (A) bottom left side of page, May 1997.

[**] Term: 14 Years

Primary Examiner—Lisa Lichtenstein
Attorney, Agent, or Firm—Goldstein & Canino

[21] Appl. No.: 29/111,003

[22] Filed: Sep. 17, 1999

[57] CLAIM

[51] LOC (7) Cl. 26-03

The ornamental design for a lamp, as shown and described.

[52] U.S. Cl. D26/101; D26/94

DESCRIPTION

[58] Field of Search D11/157; D26/93-112; 362/410-414

FIG. 1 is a perspective view of a lamp.
FIG. 2 is a front elevational view thereof.
FIG. 3 is a rear elevational view thereof.
FIG. 4 is a top plan view thereof.
FIG. 5 is a bottom plan view thereof.
FIG. 6 is a left side elevational view of the lamp; and,
FIG. 7 is a right side elevational view thereof.

[56] References Cited

U.S. PATENT DOCUMENTS

D. 53,959	10/1919	Bean	D26/93
D. 156,223	11/1949	Fail	D26/101
D. 251,327	3/1979	Barrett	D48/20 C
D. 264,255	5/1982	Stohl	D26/101
D. 281,358	11/1985	Doner	D26/69
D. 357,332	4/1995	Kay	D26/68

1 Claim, 3 Drawing Sheets

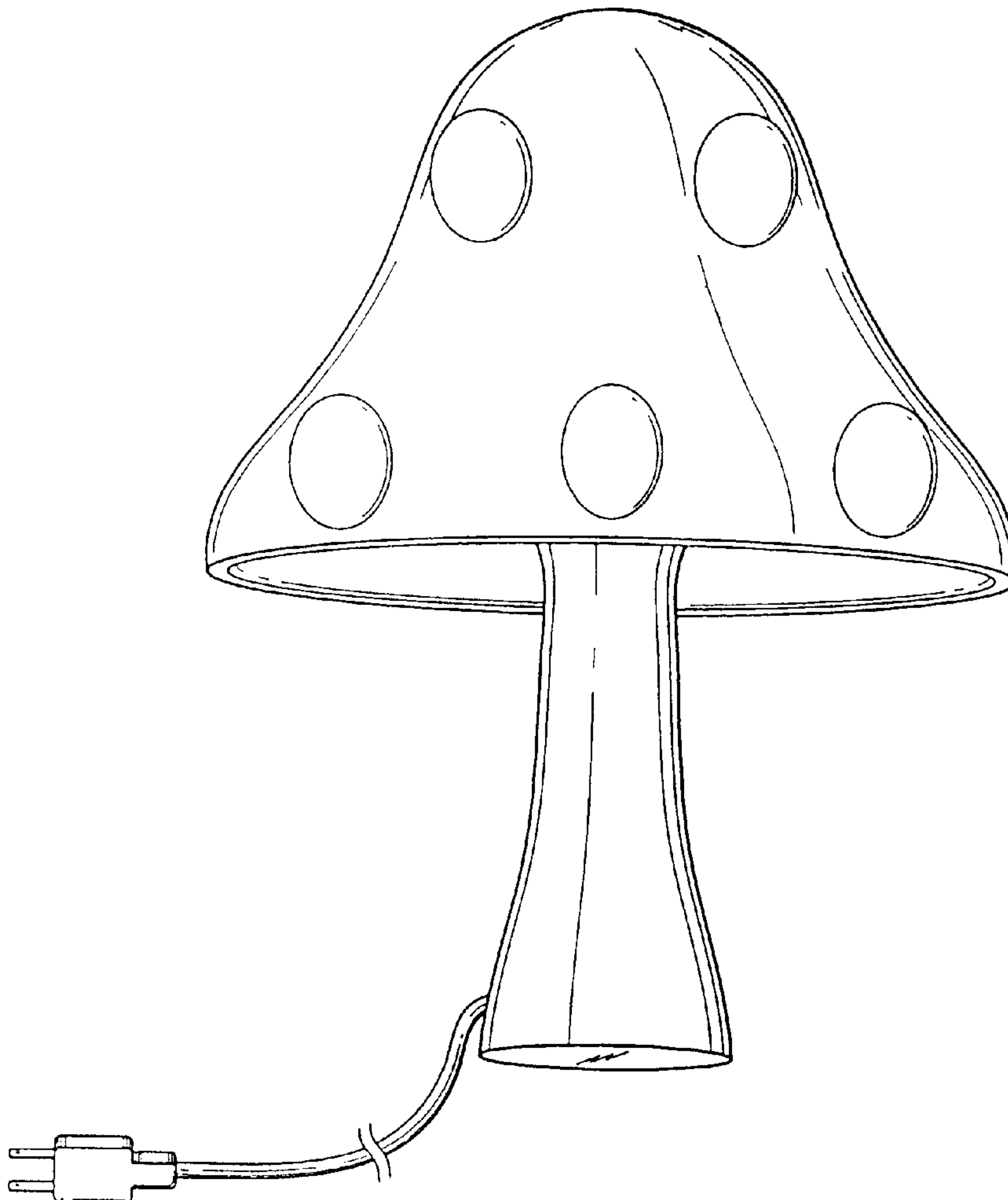


FIG. 1

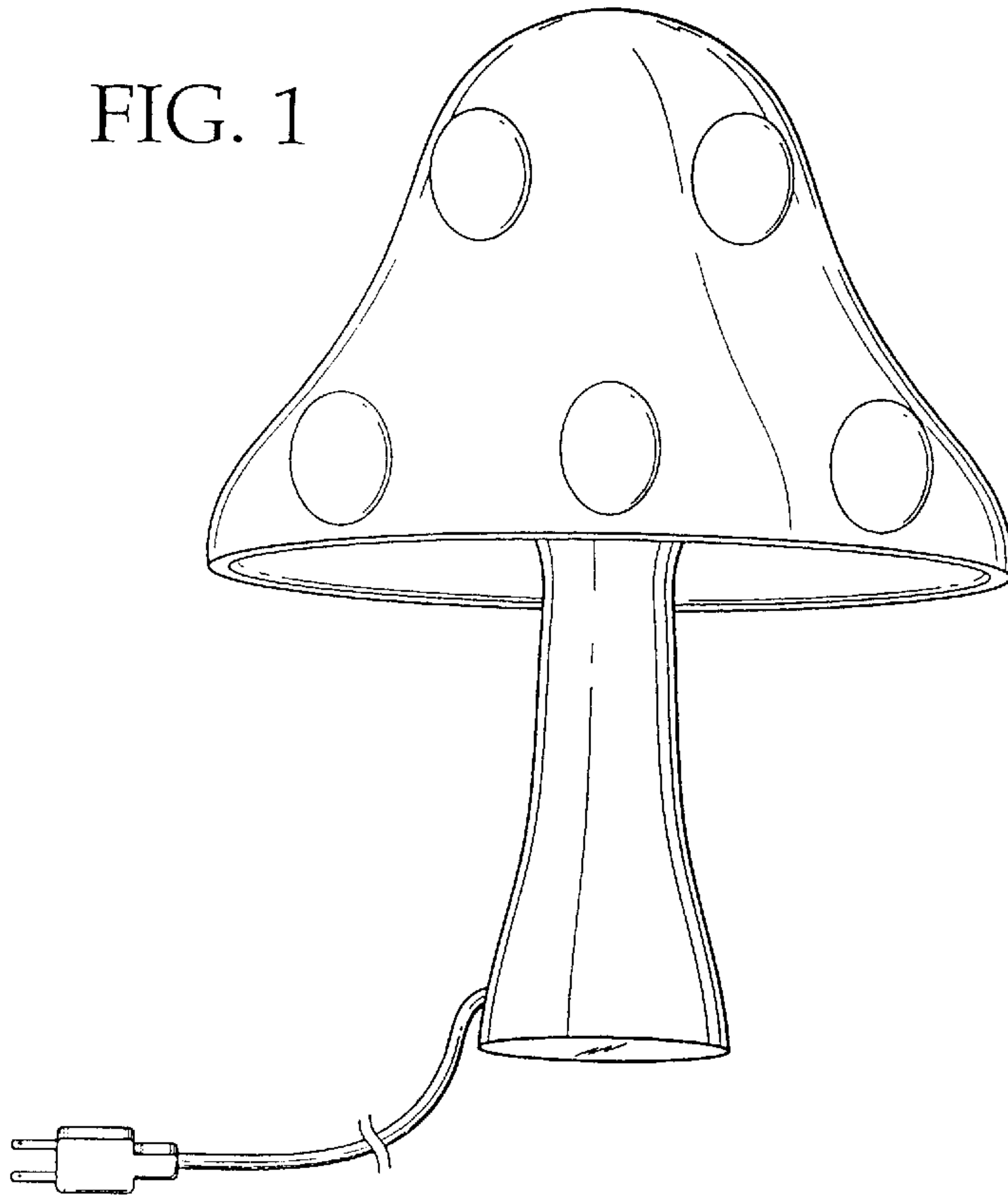
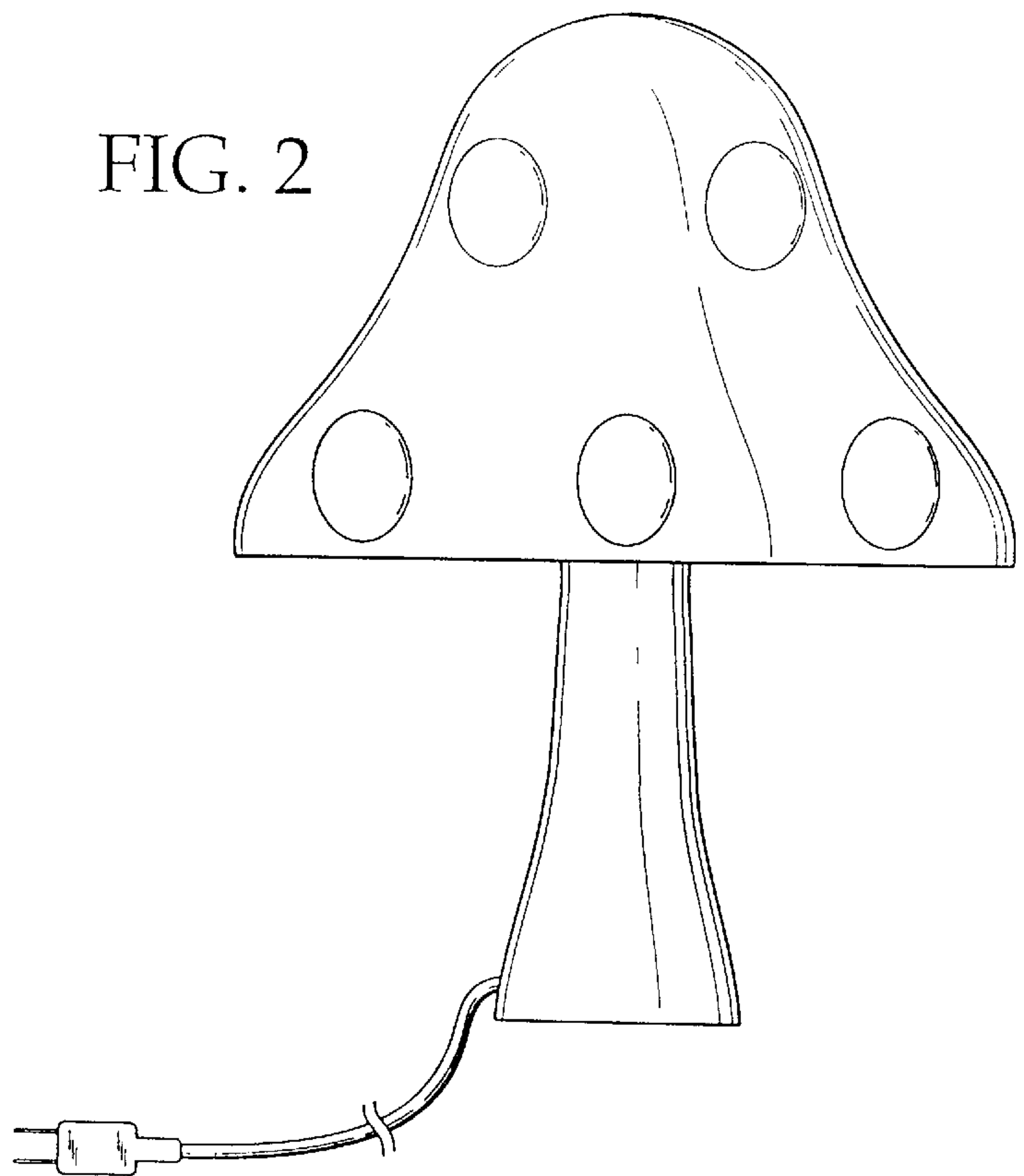


FIG. 2



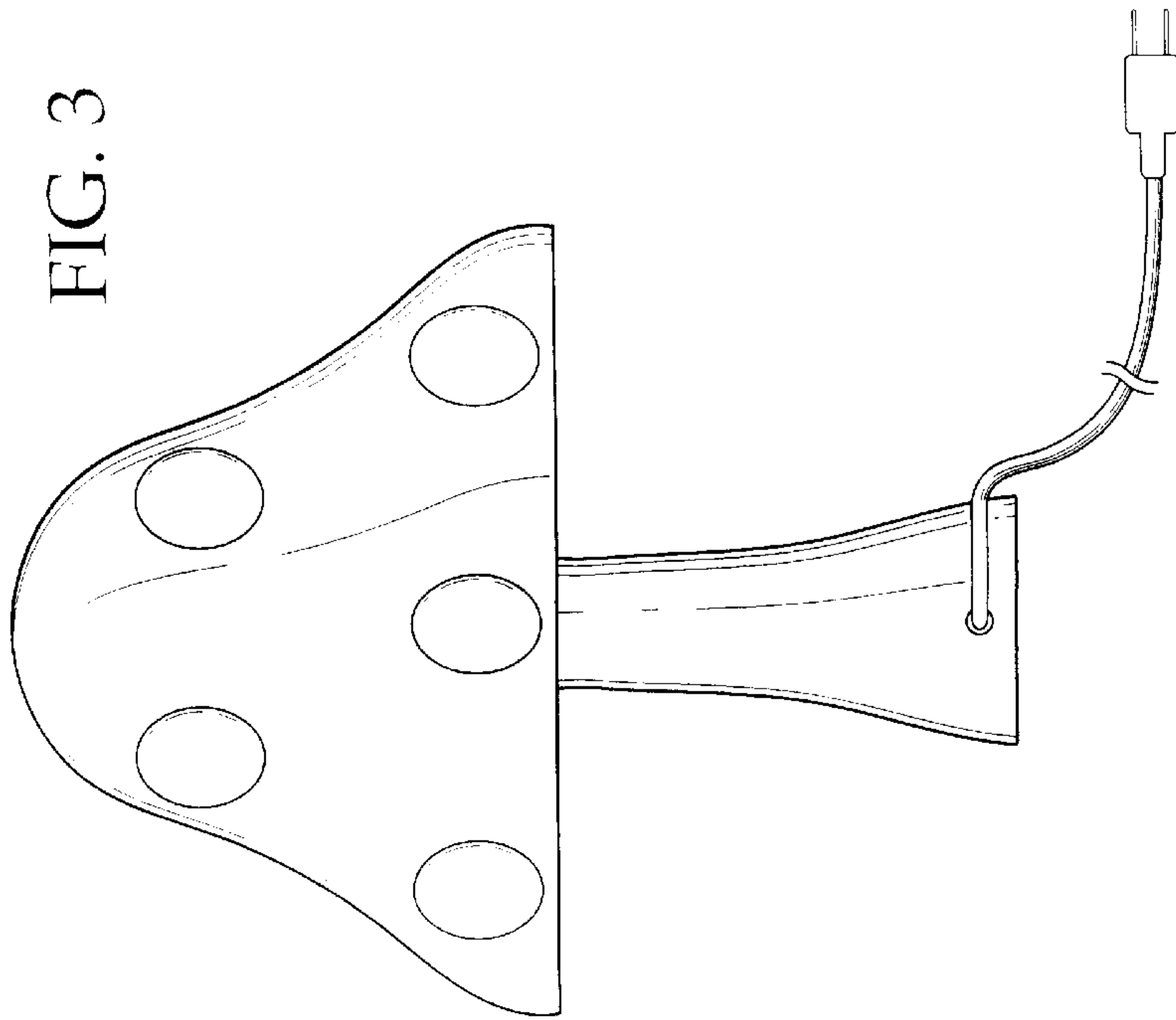


FIG. 3

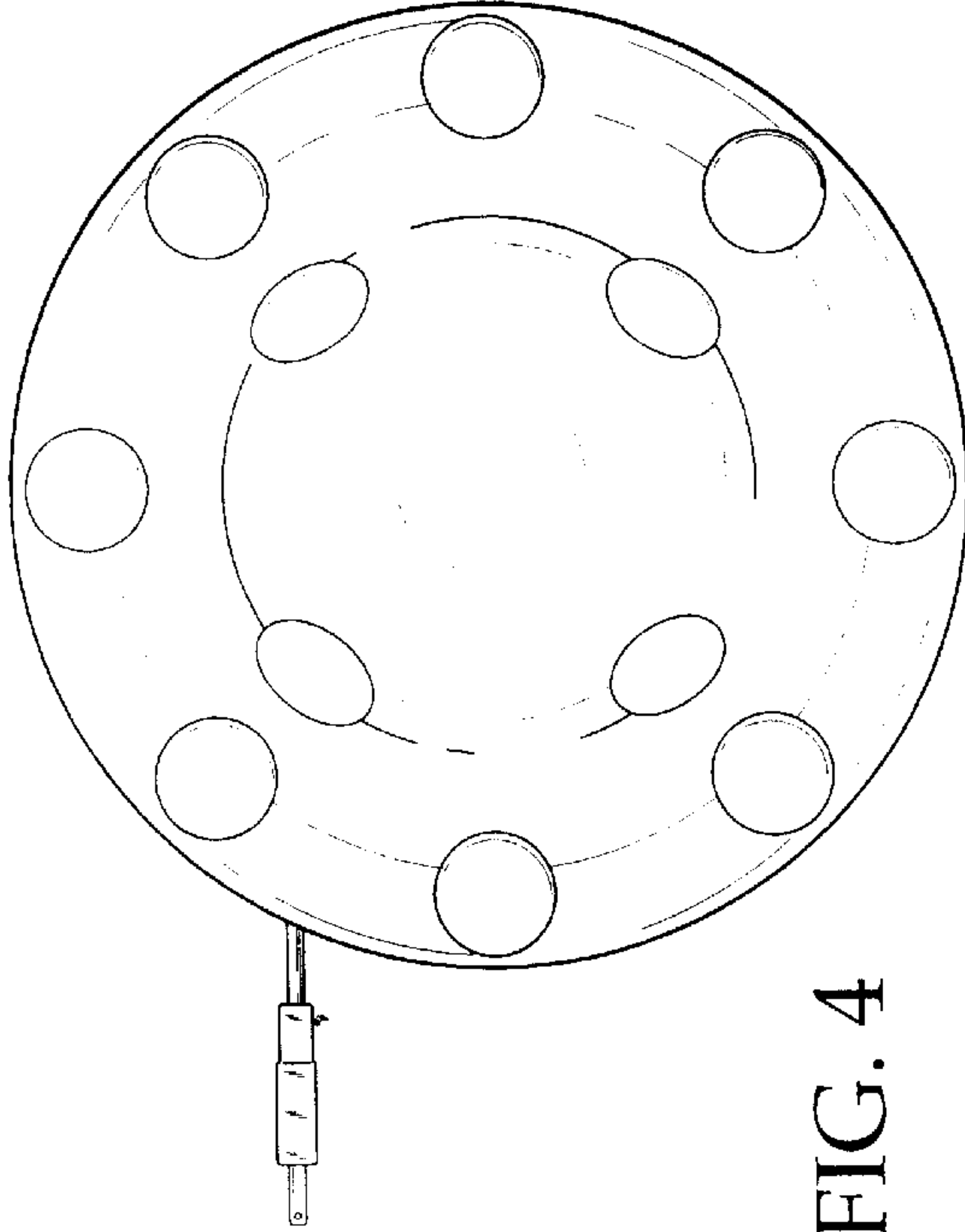


FIG. 4

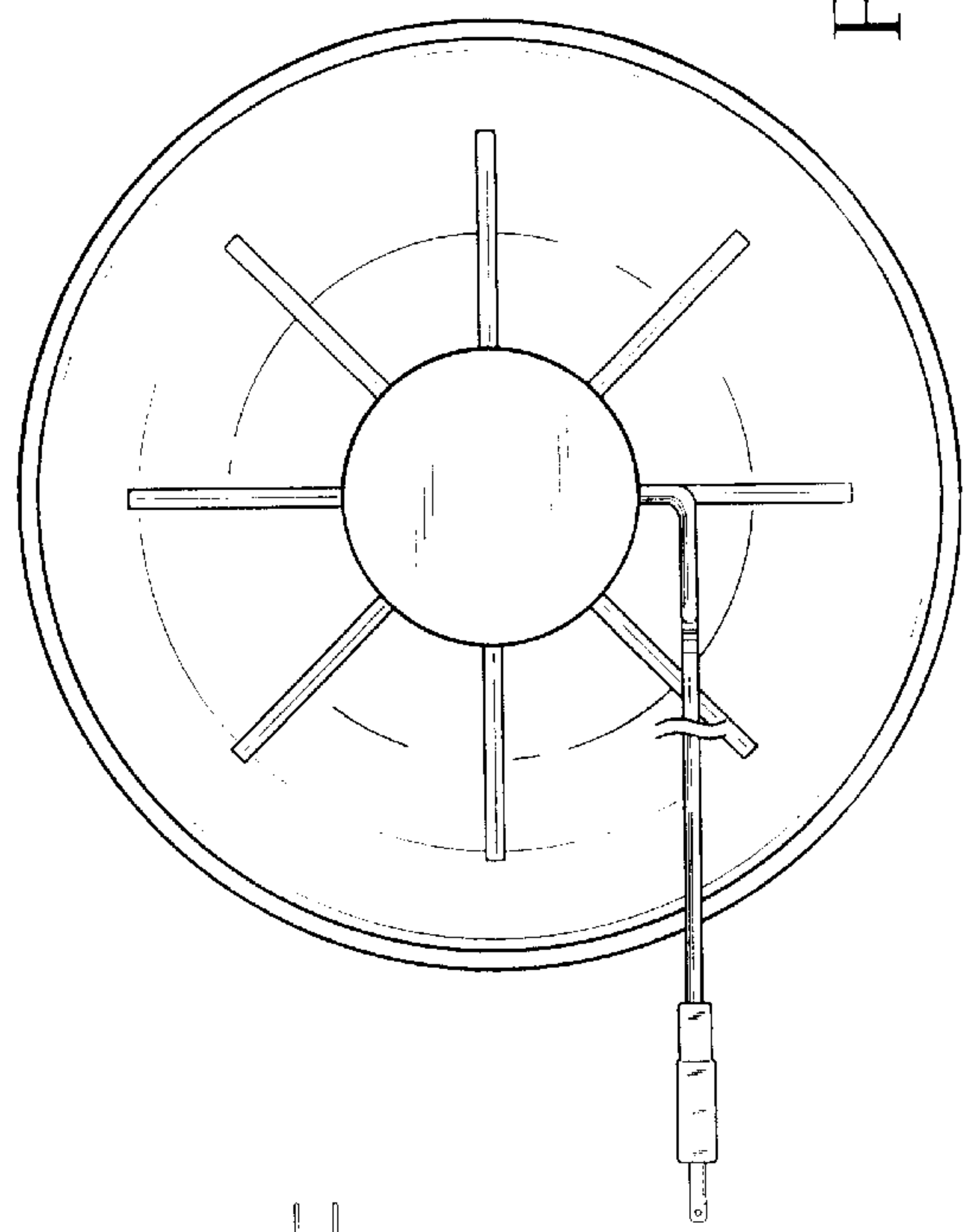


FIG. 5

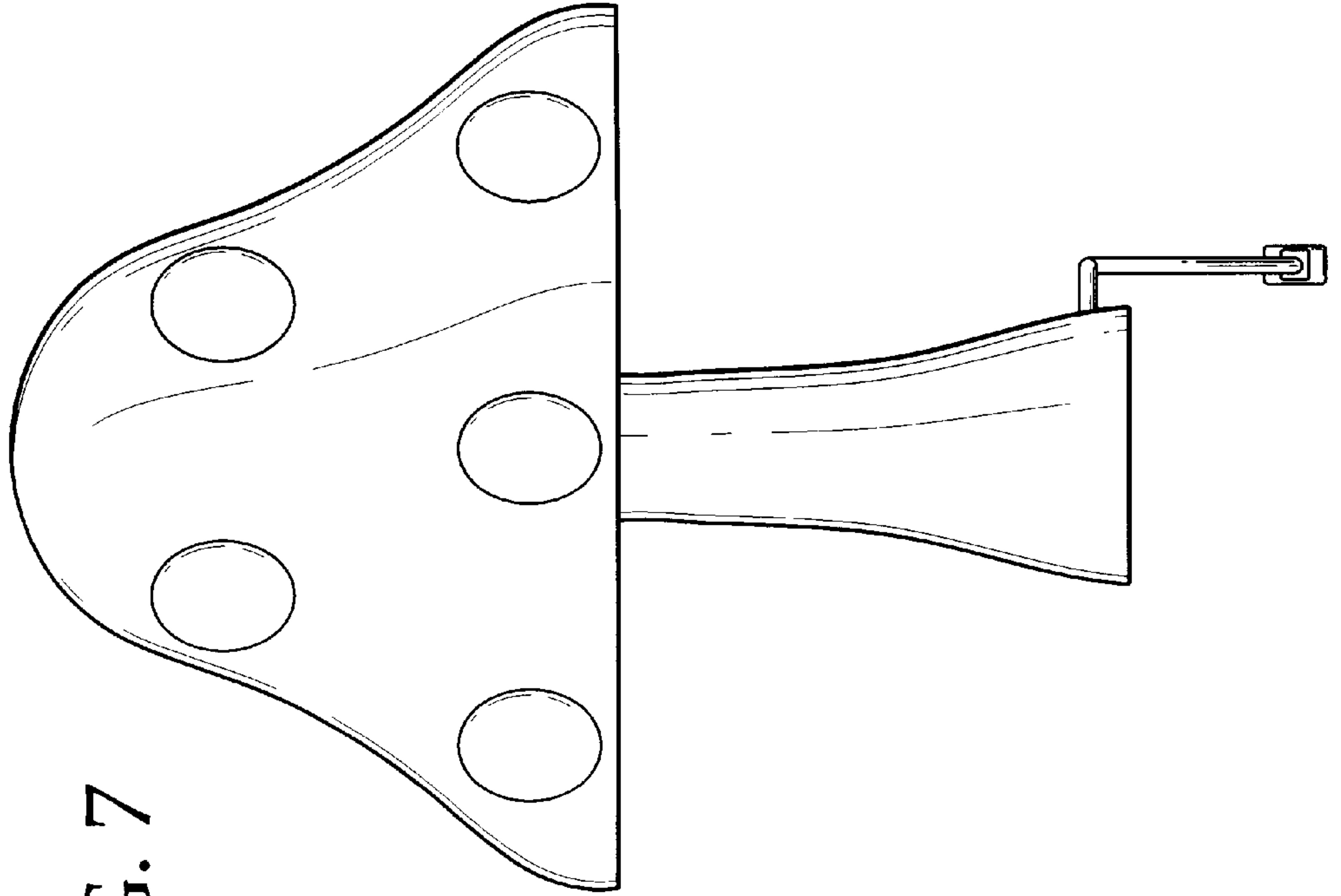


FIG. 7

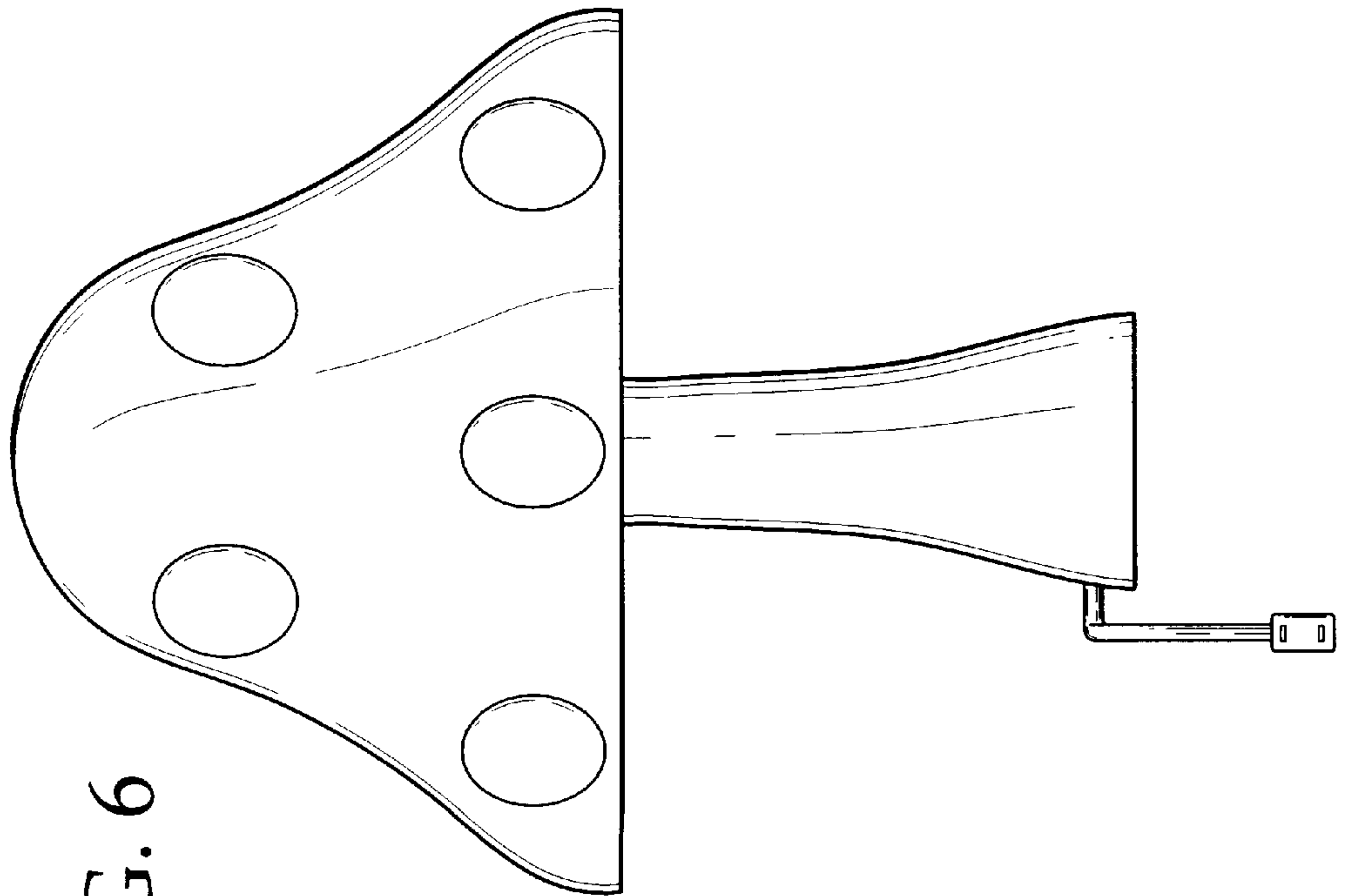


FIG. 6