



US00D425649S

United States Patent [19]
Wang

[11] **Patent Number: Des. 425,649**

[45] **Date of Patent: ** May 23, 2000**

[54] **LAMP**

[76] Inventor: **Kuang-Ting Wang**, 2F, No. 23-3, Alley 160, Lane Yi Pen, Du Hsing Rd., Panchiao City, Taipei Hsien, Taiwan

[**] Term: **14 Years**

[21] Appl. No.: **29/107,876**

[22] Filed: **Jul. 14, 1999**

[51] **LOC (7) Cl.** **26-03**

[52] **U.S. Cl.** **D26/98**

[58] **Field of Search** D26/93-112; 362/410-414; D21/606

[56] **References Cited**

U.S. PATENT DOCUMENTS

D. 154,110 6/1949 Everett D26/98

Primary Examiner—Lisa Lichtenstein

Attorney, Agent, or Firm—Pro-Techtor International Services

[57] **CLAIM**

The ornamental design for lamp, as shown and described.

DESCRIPTION

FIG. 1 is the front elevational view of a lamp showing my new design.

FIG. 2. is the rear elevational view thereof.

FIG. 3. is the left side elevational view thereof.

FIG. 4. is the right side elevational view thereof.

FIG. 5. is the top plan view thereof.

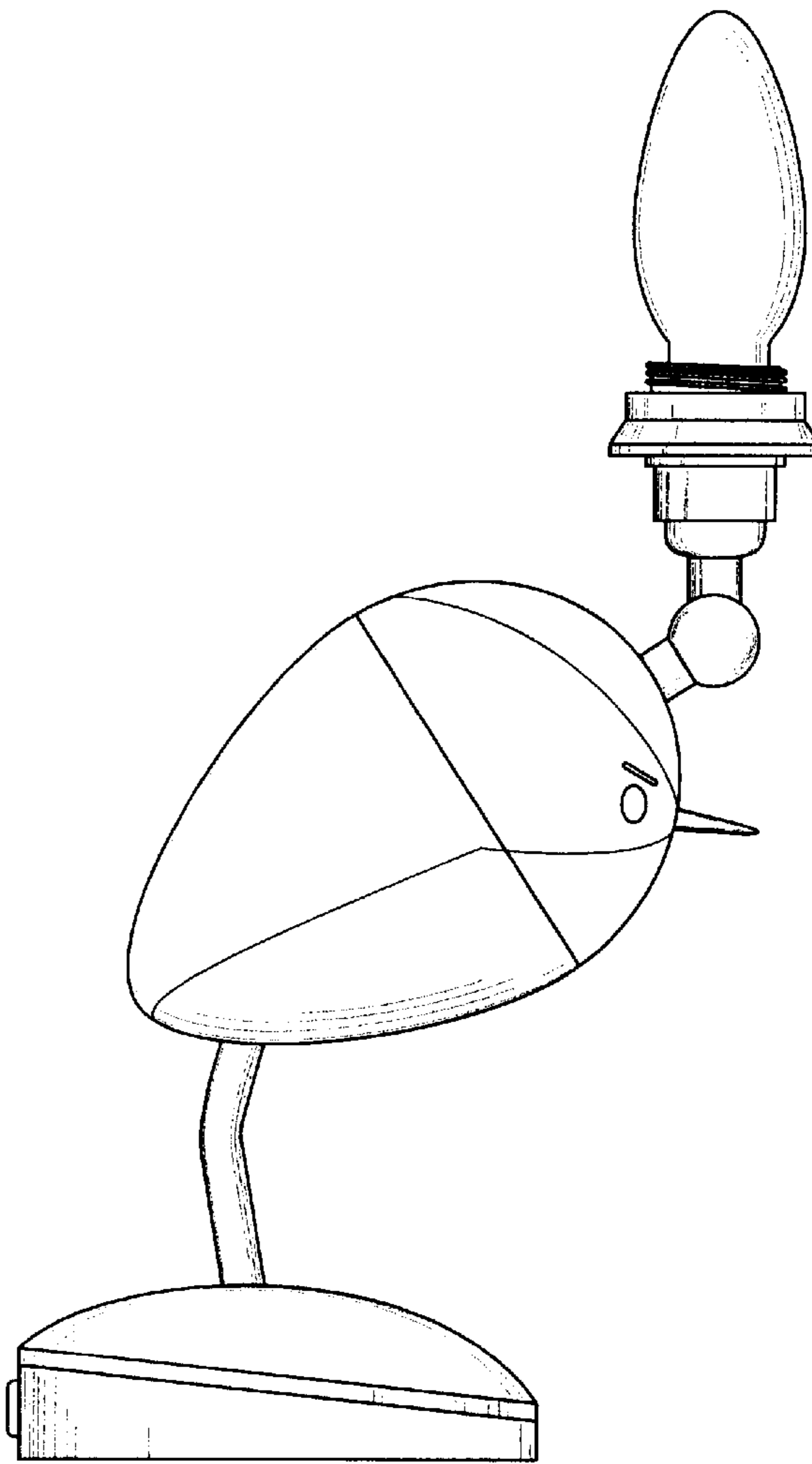
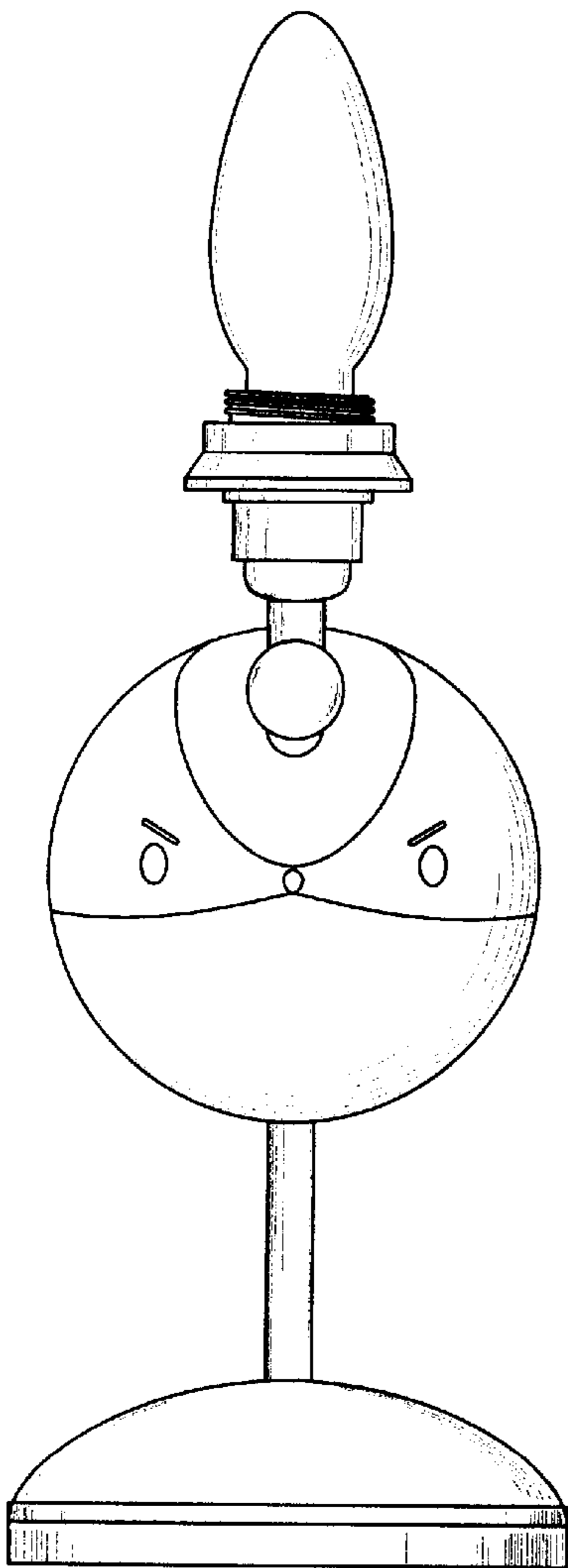
FIG. 6. is the bottom plan view thereof.

FIG. 7 is a perspective view thereof; and,

FIG. 8 is a perspective view thereof on a reduced scale shown in use.

The broken-line showing of environmental structure in FIG. 8 is for illustrative purposes only and forms no part of the claimed design.

1 Claim, 4 Drawing Sheets



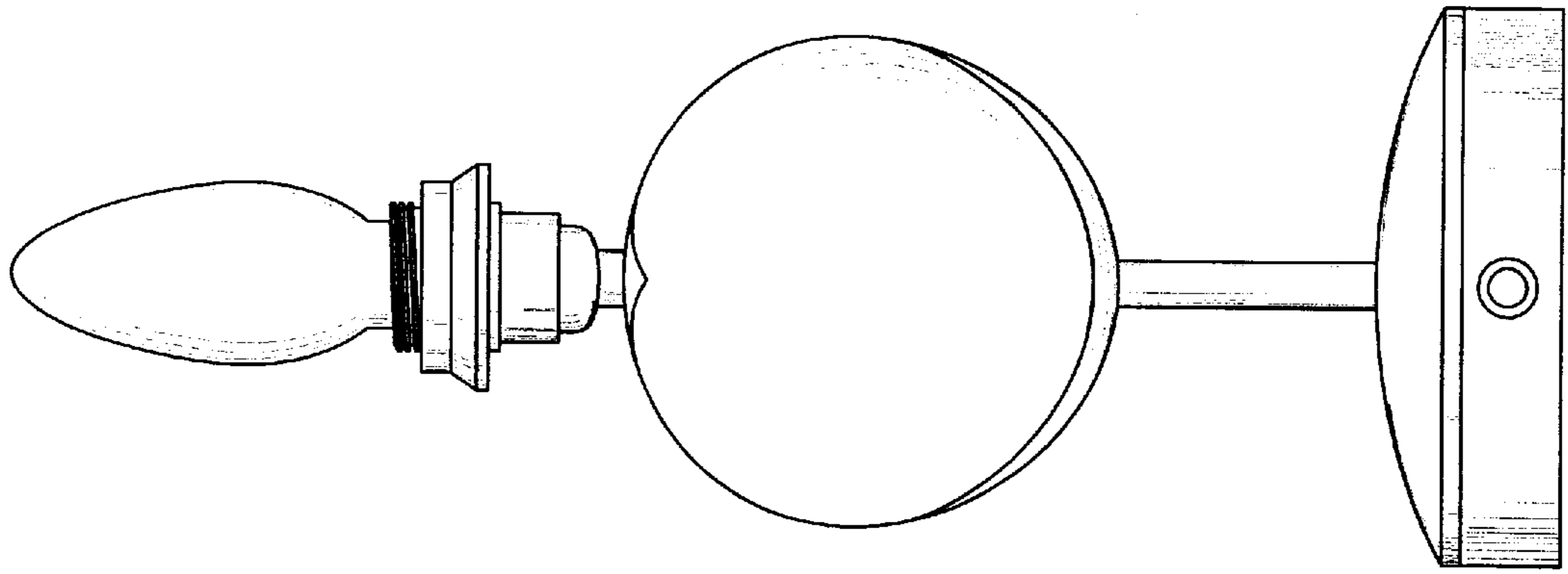


FIG. 2

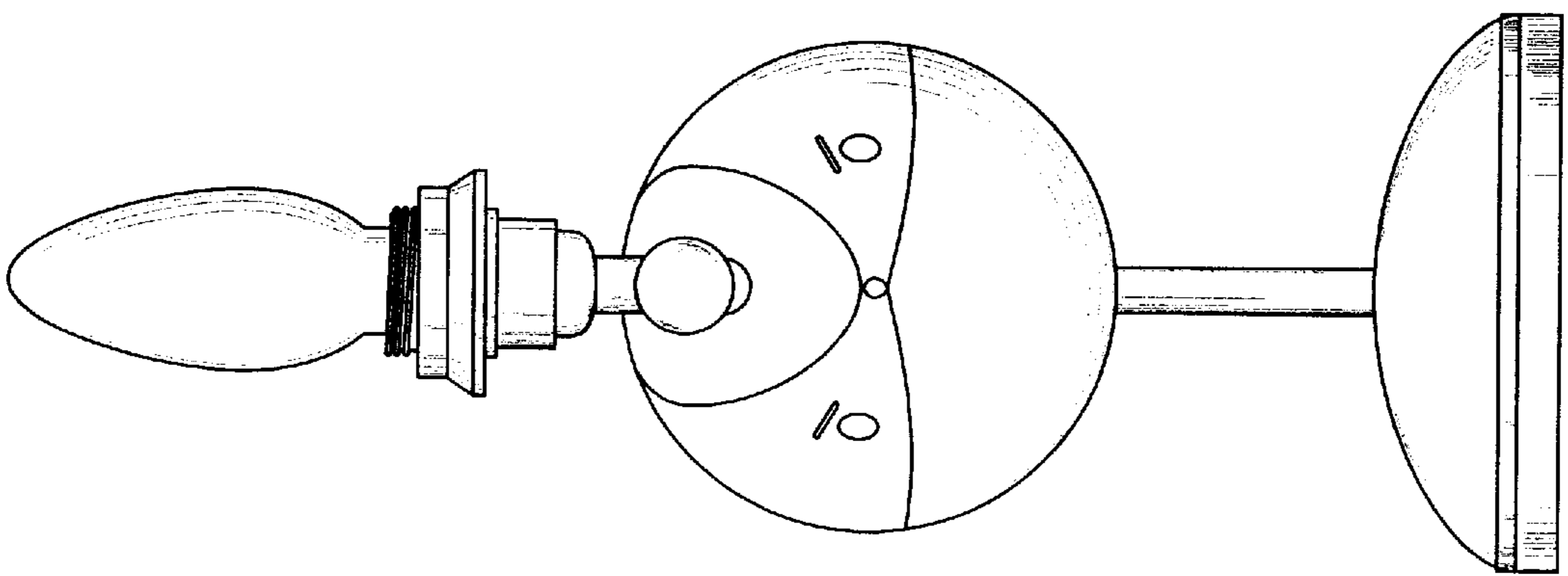


FIG. 1

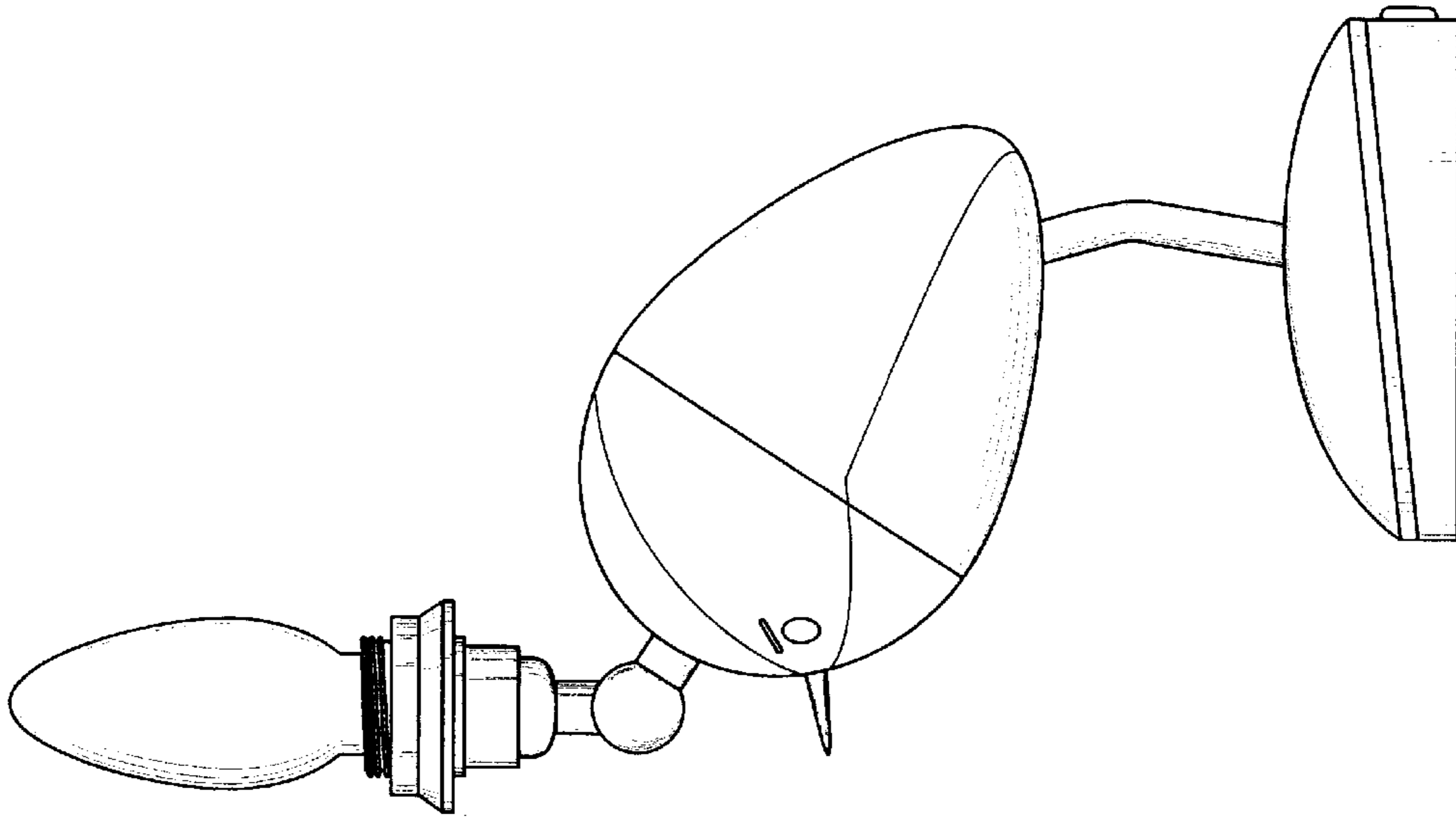


FIG. 4

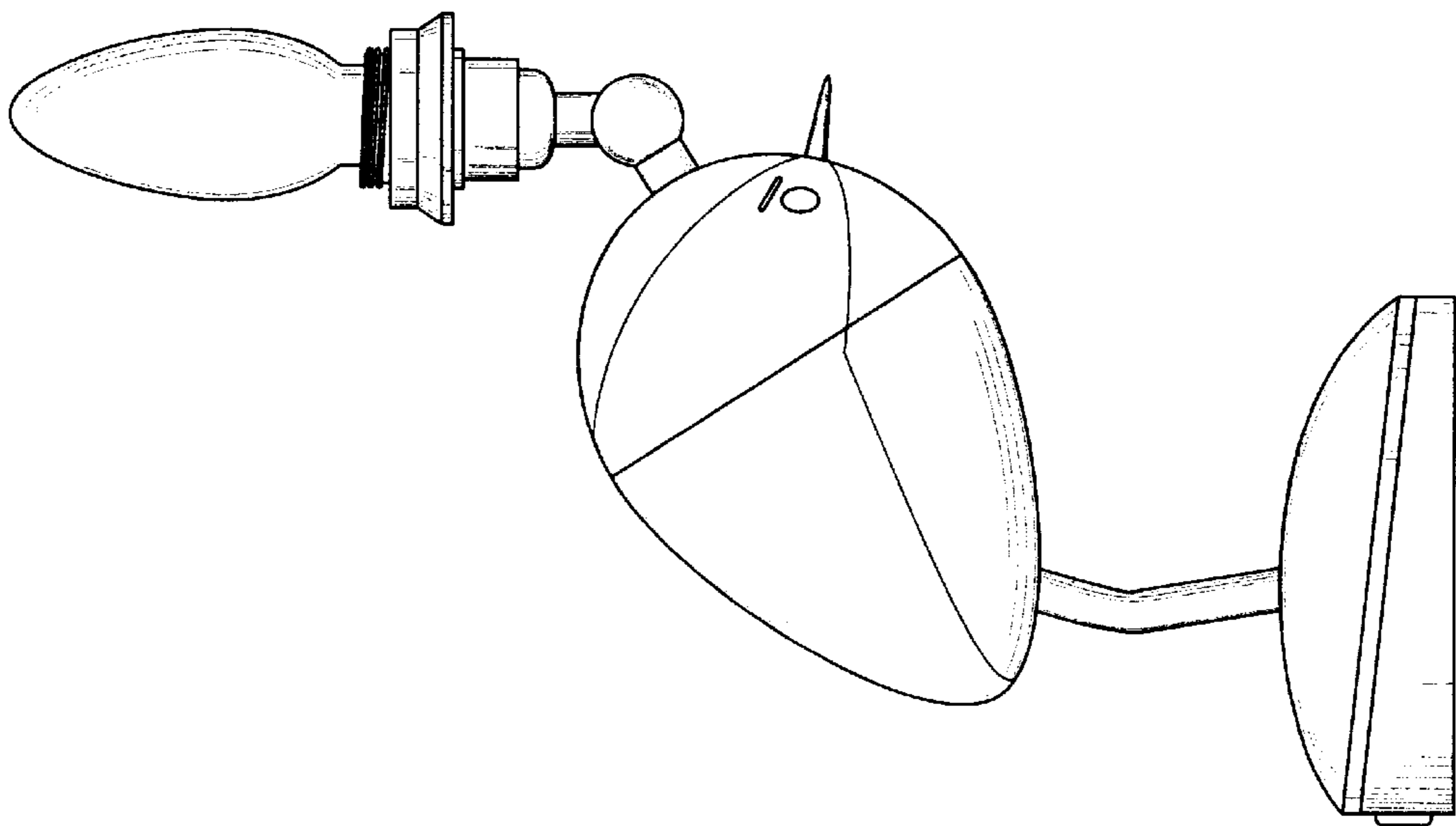


FIG. 3

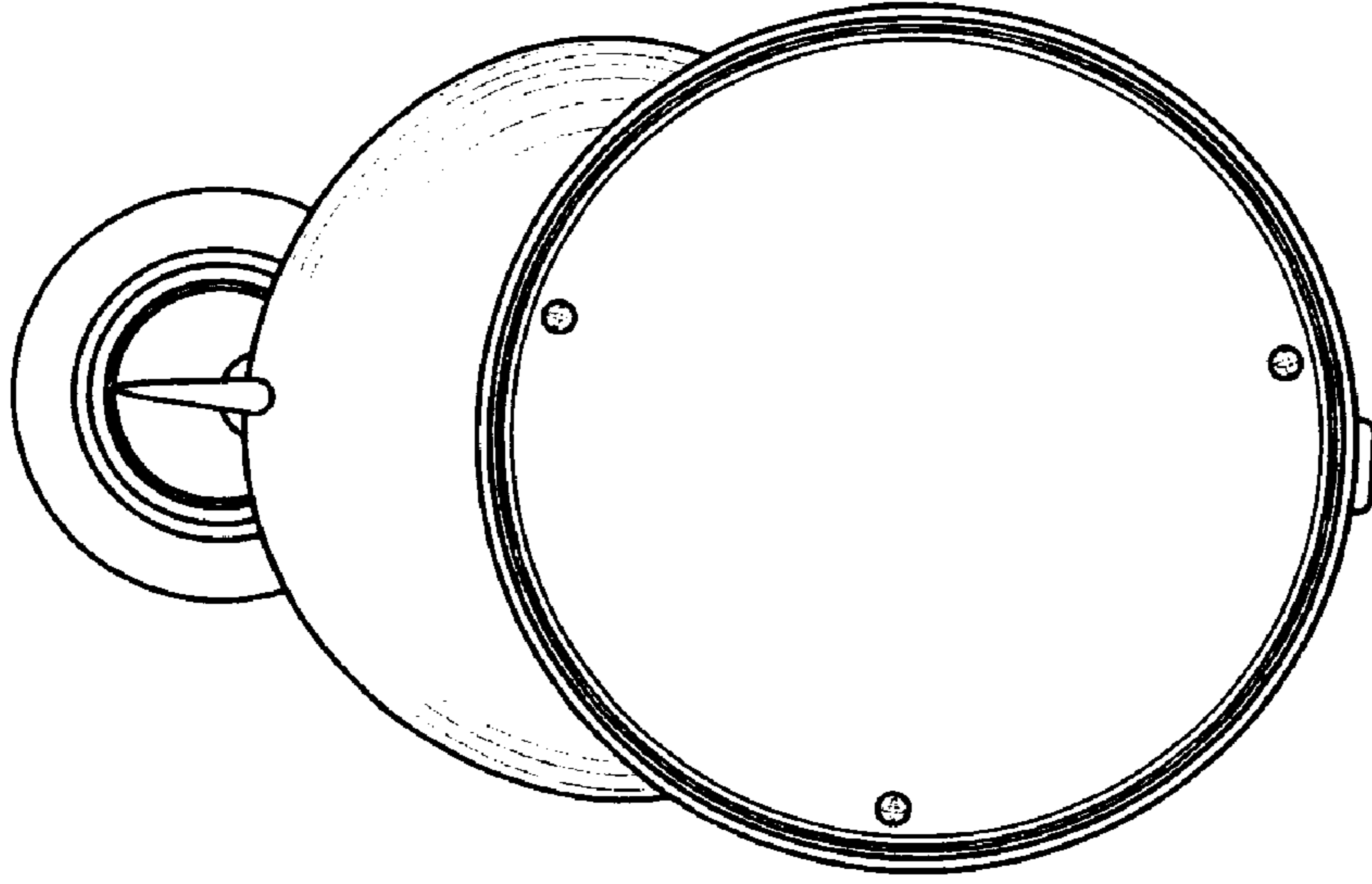


FIG. 6

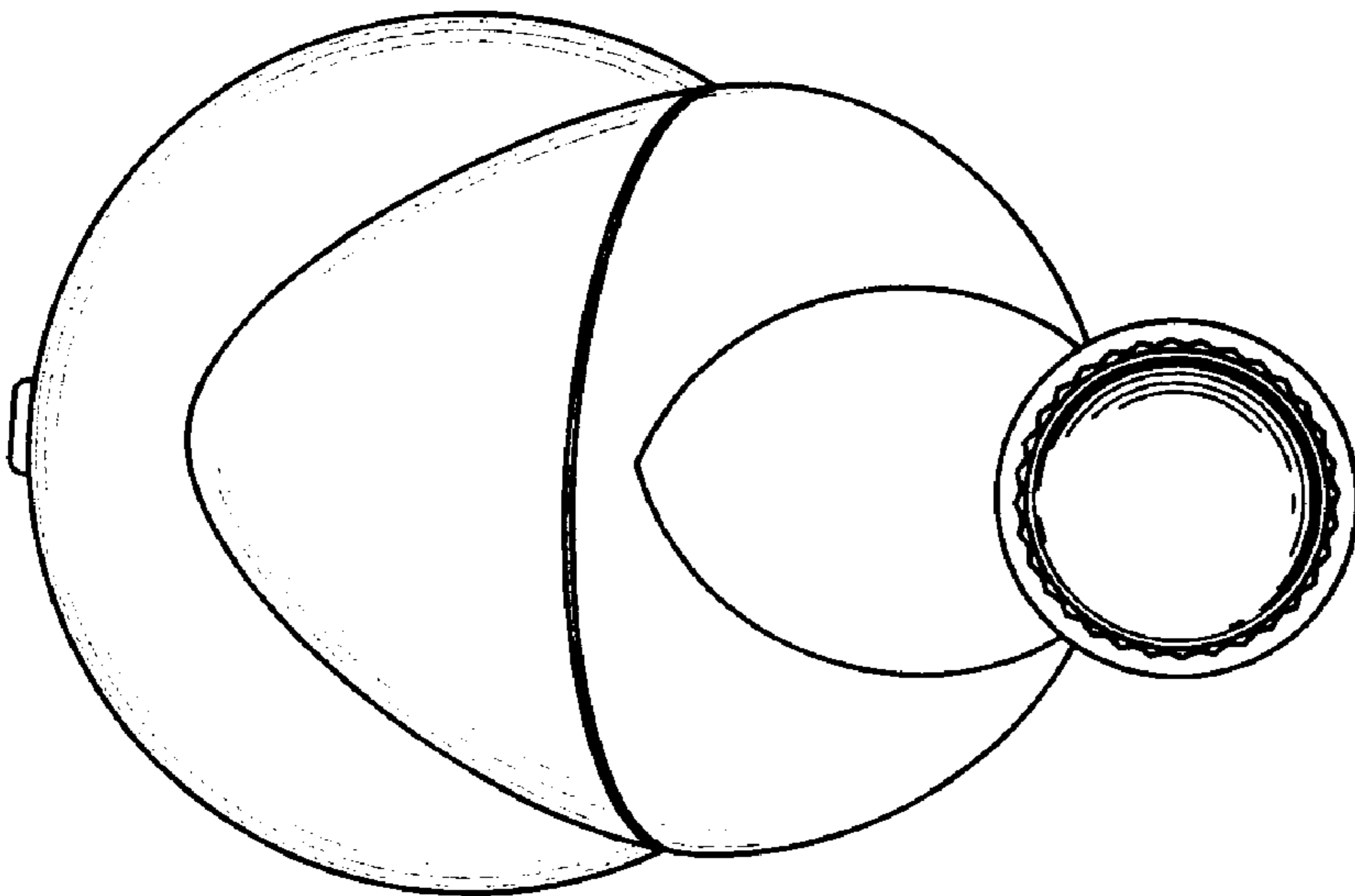


FIG. 5

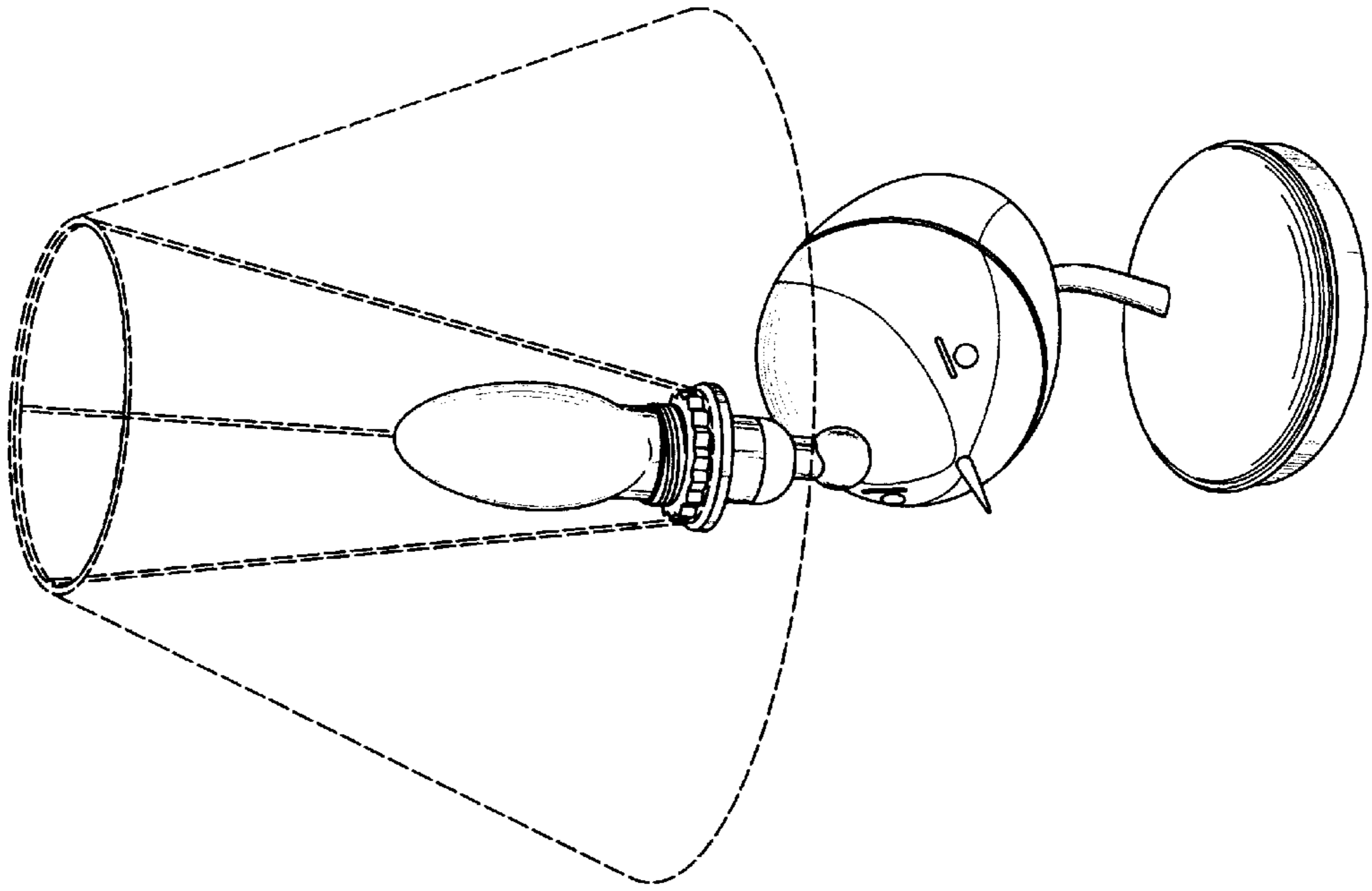


FIG. 8

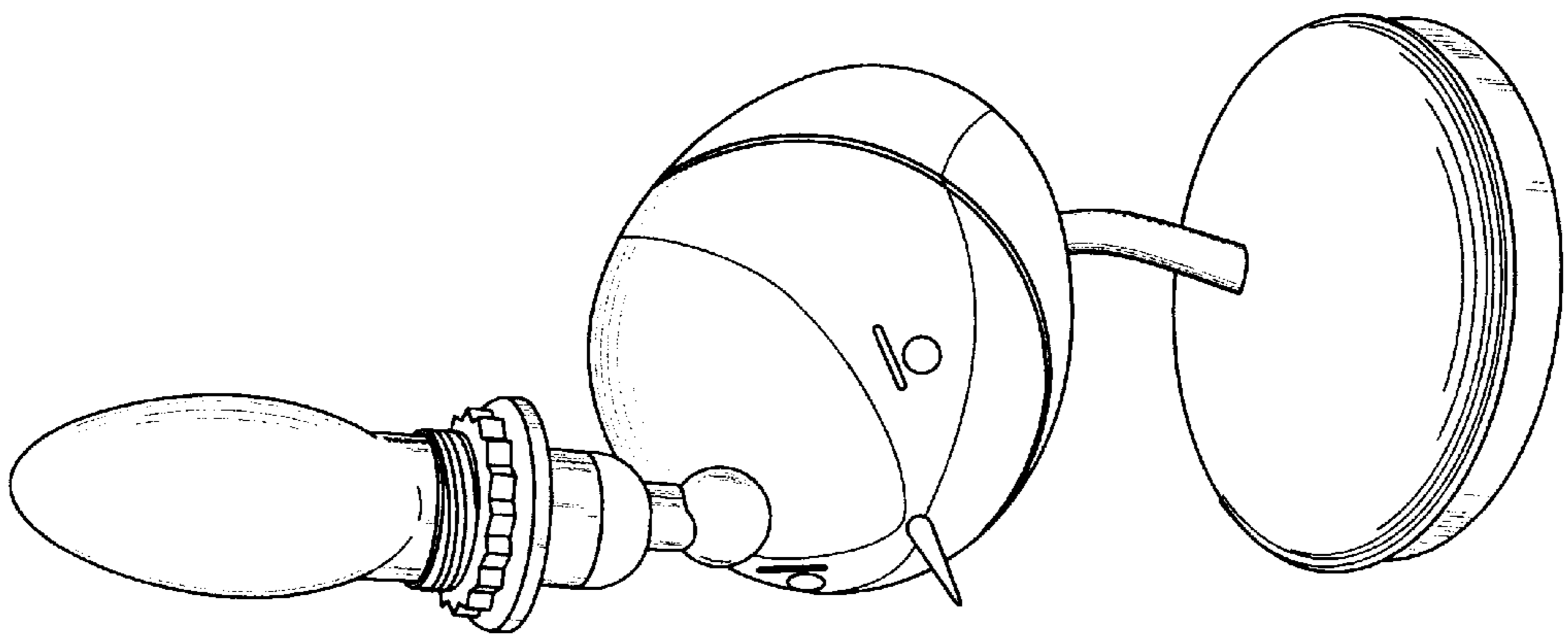


FIG. 7