



US00D425648S

**United States Patent** [19]  
**Orozco**

[11] **Patent Number: Des. 425,648**

[45] **Date of Patent: \*\* May 23, 2000**

[54] **CHANDELIER**

[75] Inventor: **Sergio Orozco**, West New York, N.J.

[73] Assignee: **Quoizel, Inc.**, Goose Creek, S.C.

[\*\*] Term: **14 Years**

[21] Appl. No.: **29/081,745**

[22] Filed: **Jan. 9, 1998**

[51] **LOC (7) Cl.** ..... **26-05**

[52] **U.S. Cl.** ..... **D26/84**

[58] **Field of Search** ..... D26/72, 80-84,  
D26/86, 88, 89, 90; 362/404-408

[56] **References Cited**

**U.S. PATENT DOCUMENTS**

- D. 380,571 7/1997 Dolan ..... D26/84
- D. 397,820 9/1998 Miranda ..... D26/81

**OTHER PUBLICATIONS**

- Dolan Designs catalog, p. 34, chandelier, Jan. 1995.
- Hinkley lighting catalog, p. 71, chandelier, Jan. 1993.
- Murray Feiss lighting catalog, p. 86, Chandelier #F1522/5 RT, Mar. 1995.

Progress lighting catalog, p. 19, chandelier #E5160-30, Jul. 1994.

*Primary Examiner*—Susan J. Lucas  
*Attorney, Agent, or Firm*—Gallagher & Kennedy

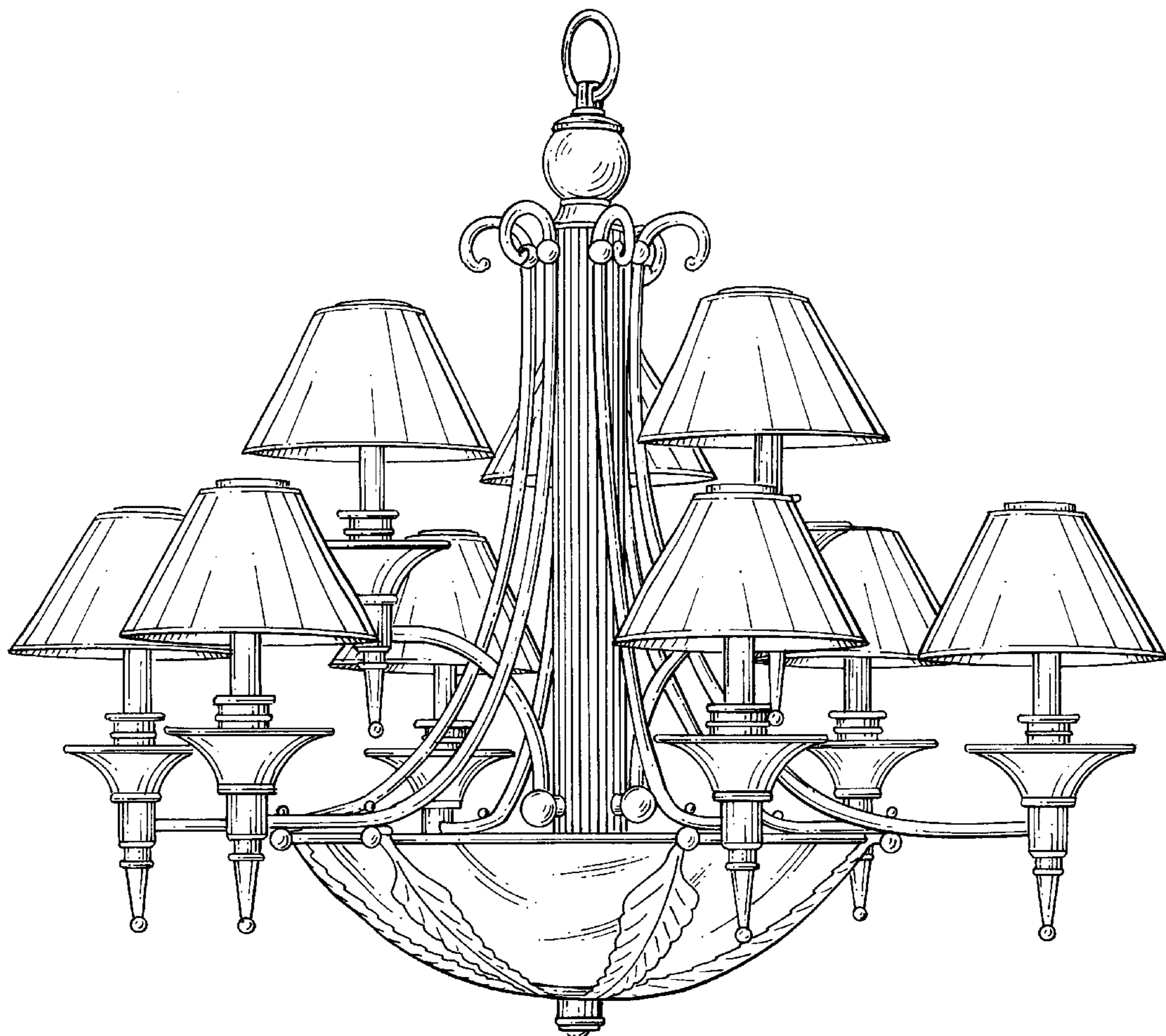
[57] **CLAIM**

The ornamental design for a chandelier, as shown and described.

**DESCRIPTION**

FIG. 1 is a perspective view of the chandelier showing my new design.  
 FIG. 2 is a front elevation view of the chandelier of FIG. 1 on a reduced scale;  
 FIG. 3 is a bottom plan view of the chandelier of FIG. 1 on a reduced scale;  
 FIG. 4 is a top plan view of the chandelier of FIG. 1 on a reduced scale; and,  
 FIG. 5 is a perspective view of an alternative embodiment of the chandelier, it being understood that the second embodiment is identical to the first embodiment except for the omission of the lamp arms attached to the center post.  
 The design as shown in FIG. 2 is repeated every 120° about the vertical axis of the chandelier.

**1 Claim, 5 Drawing Sheets**



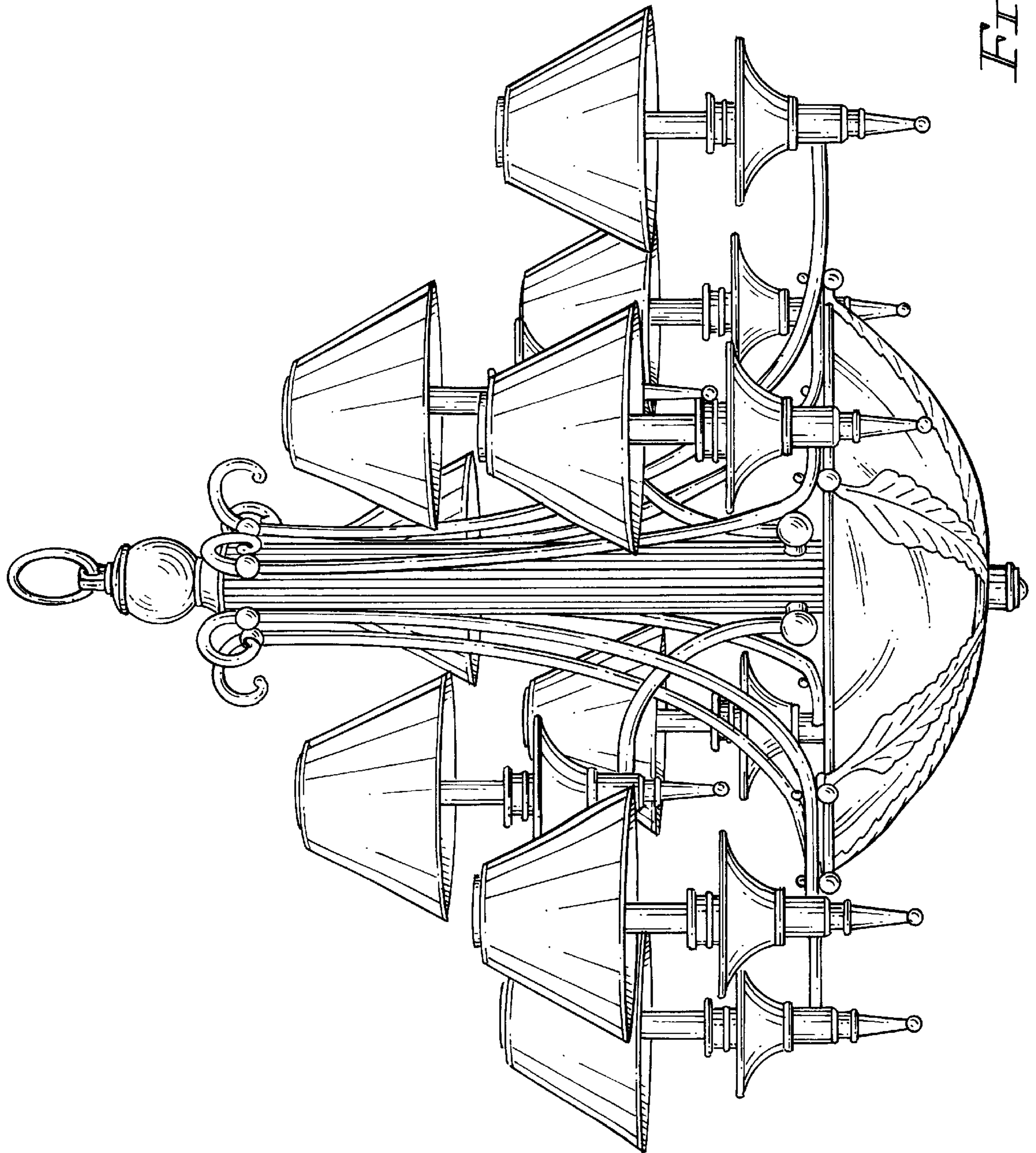


FIG. 1

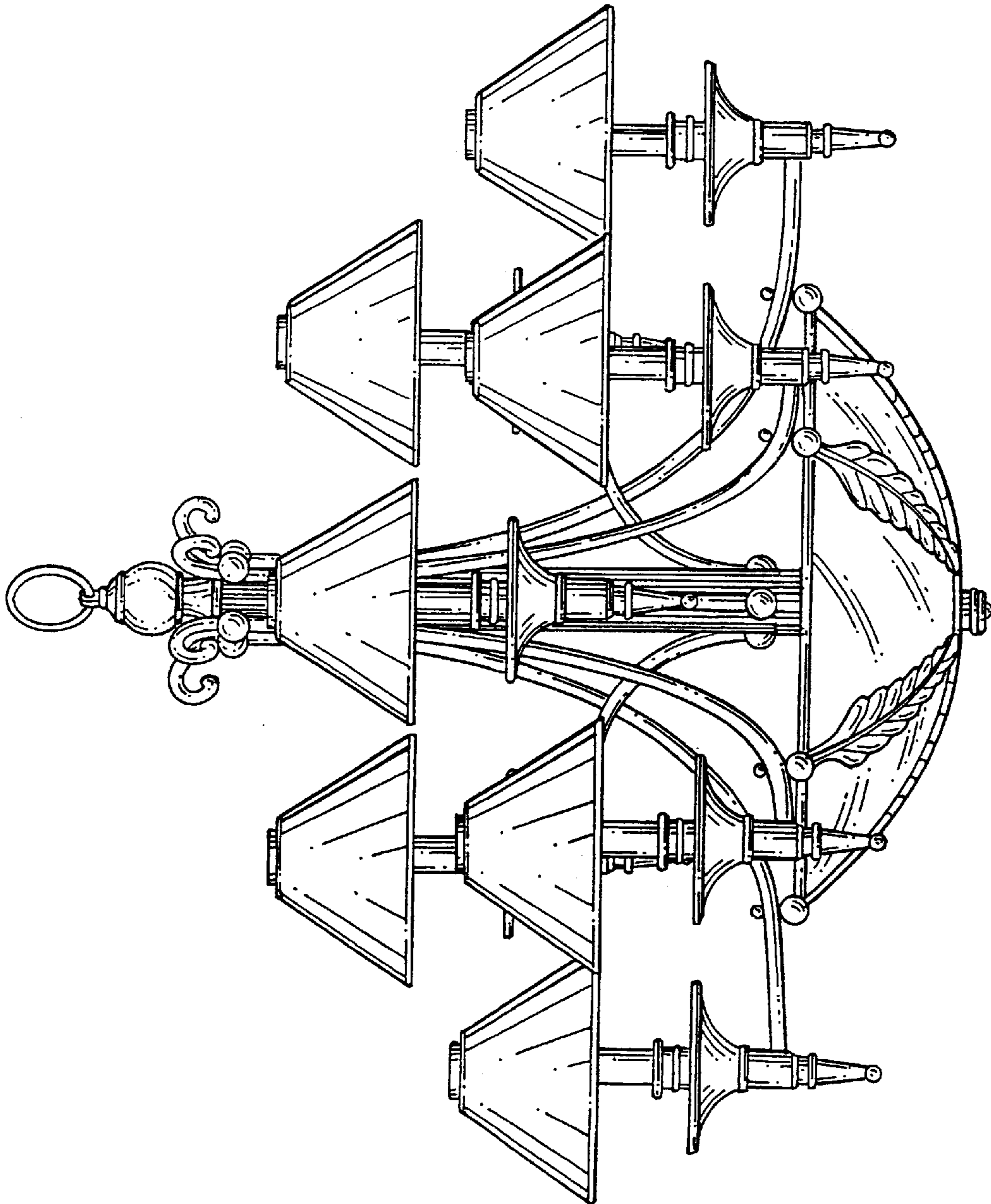
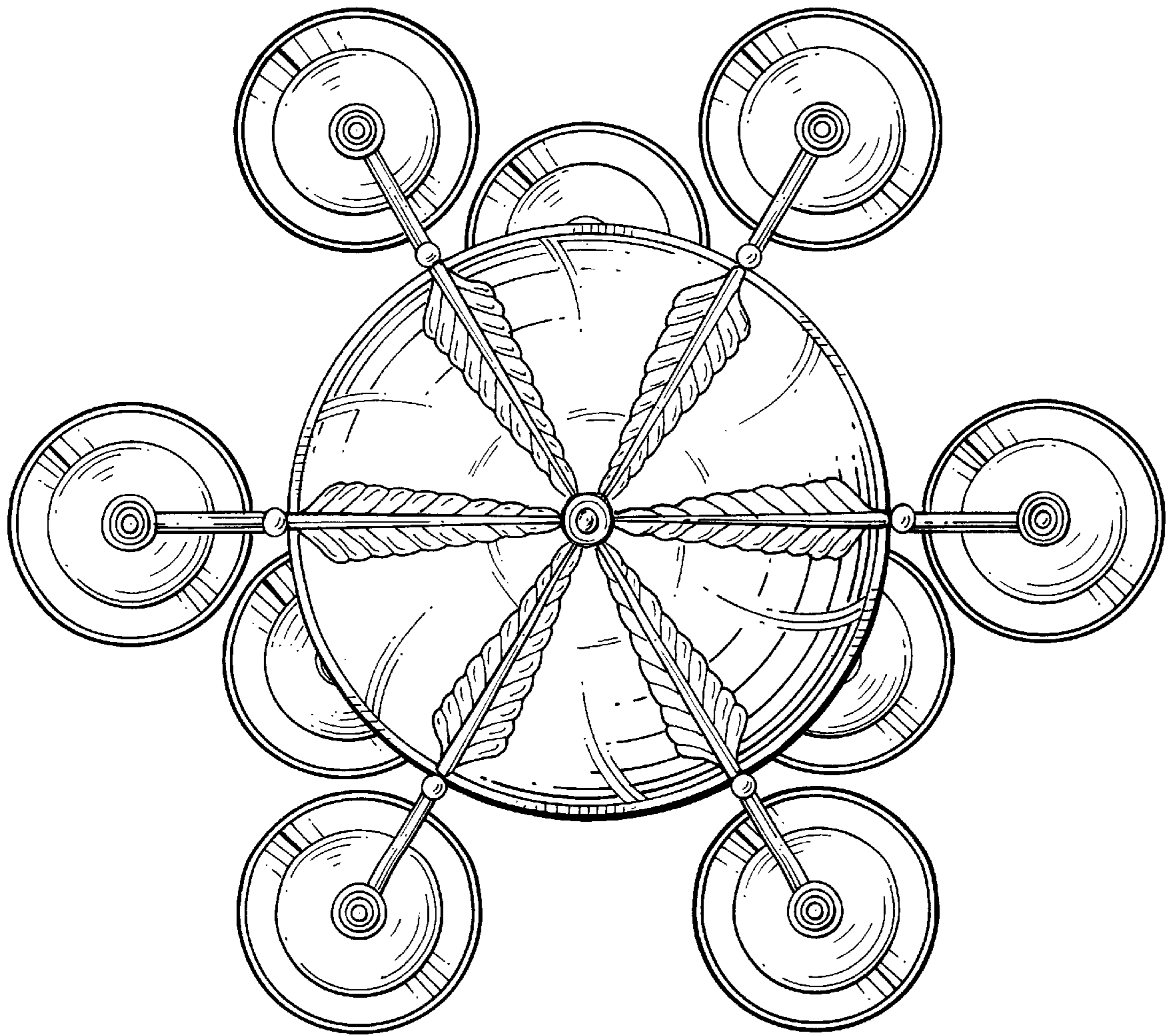
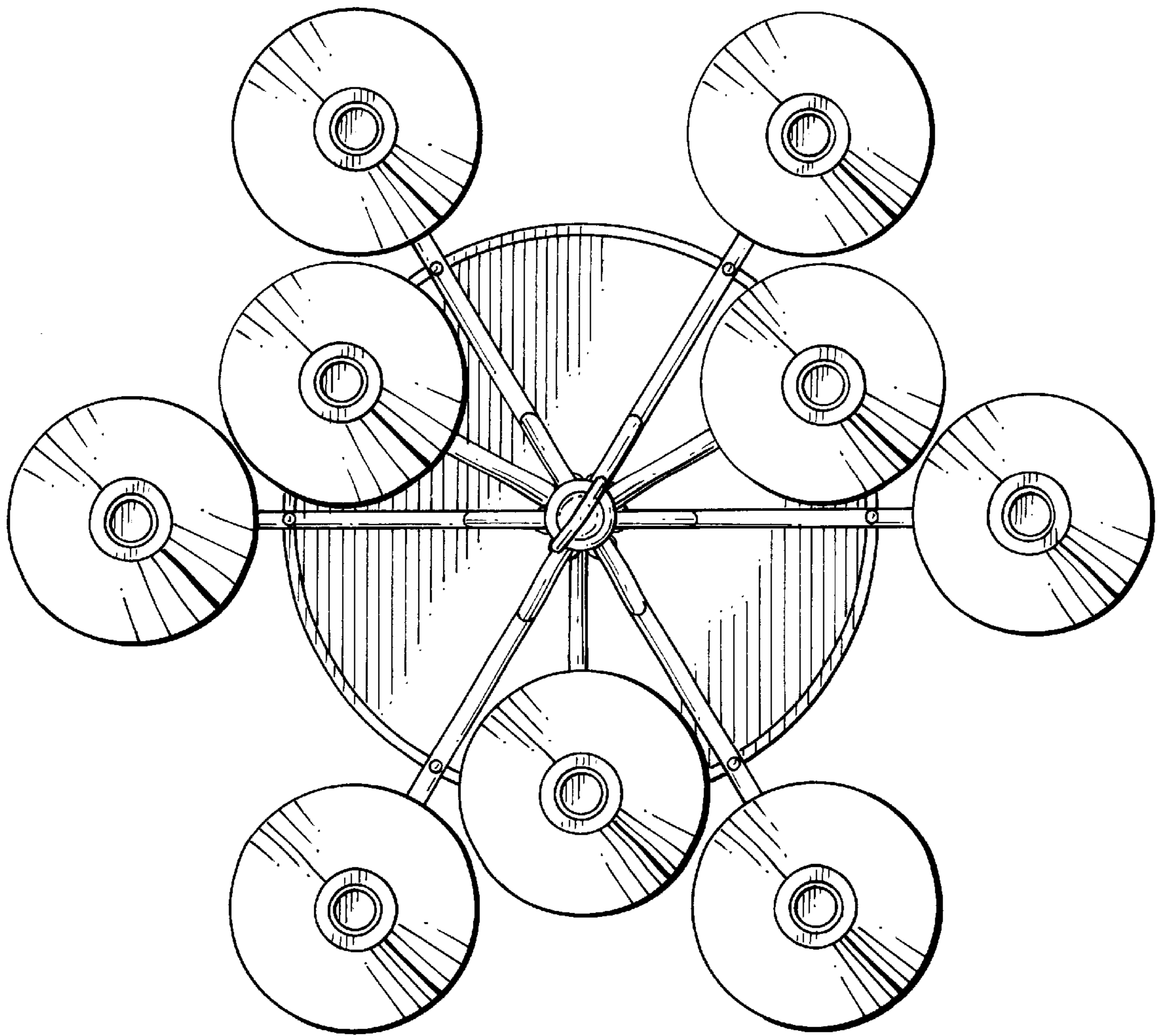


FIG. 2



*FIG. 3*



*FIG. 4*

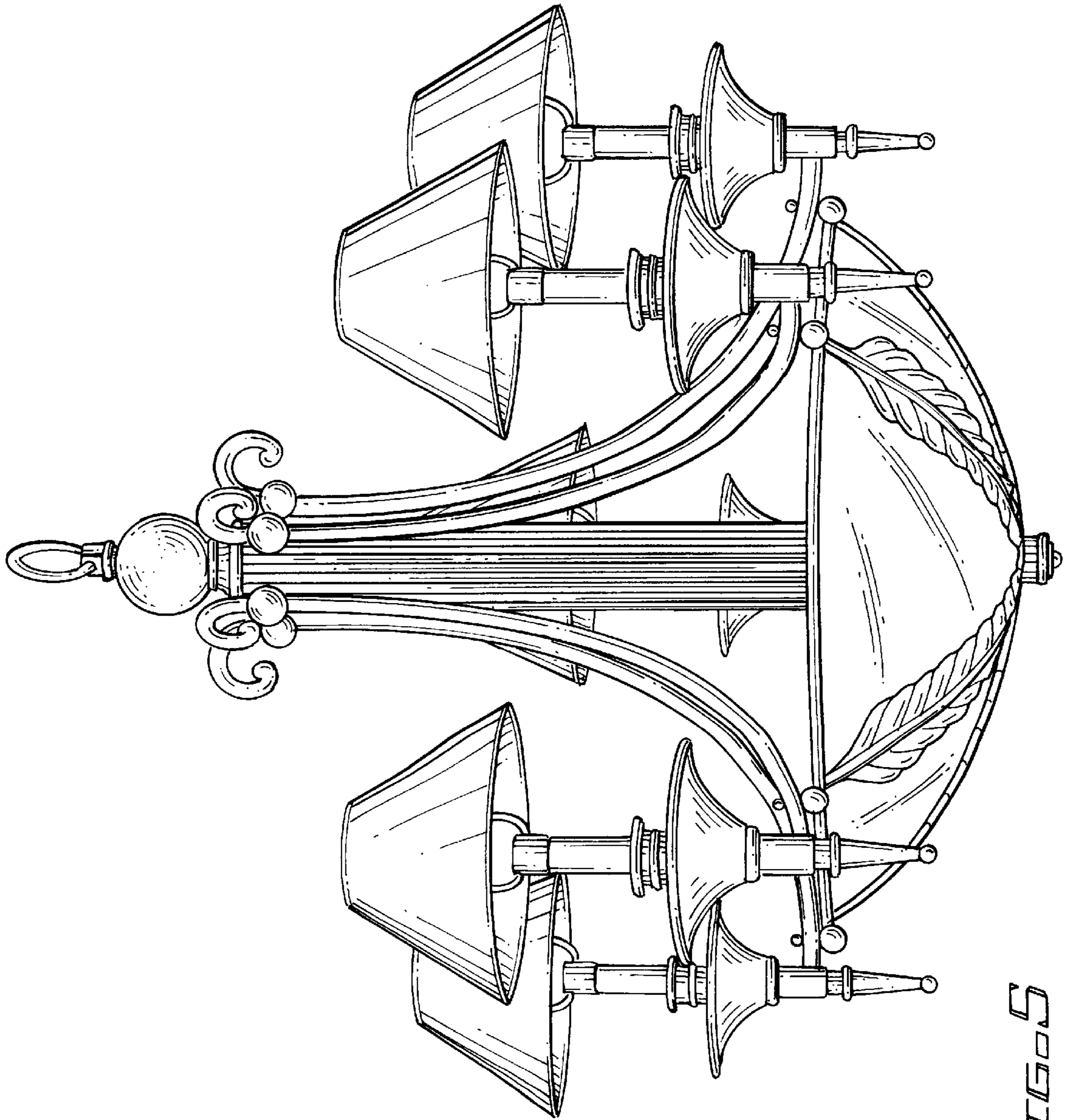


FIG. 5