



US00D425647S

# United States Patent [19]

[11] **Patent Number: Des. 425,647**

**Leen**

[45] **Date of Patent: \*\* May 23, 2000**

[54] **MERCURY VAPOR LIGHT BASE FOR EXTERIOR LIGHTING FIXTURE**

D. 400,998 11/1998 Leen ..... D26/71  
D. 407,843 4/1999 Leen ..... D26/71

[76] Inventor: **Monte A. Leen**, 1804 W. Lake Sammamish Pkwy. N.E., Bellevue, Wash. 98008

*Primary Examiner*—Susan J. Lucas  
*Attorney, Agent, or Firm*—Dean A. Craine

[\*\*] Term: **14 Years**

[57] **CLAIM**

The ornamental design for a mercury vapor light base for exterior lighting fixture, as shown and described.

[21] Appl. No.: **29/096,844**

**DESCRIPTION**

[22] Filed: **Nov. 20, 1998**

FIG. 1 is a top isometric view of a mercury vapor light base for exterior lighting fixture showing my new design; FIG. 2 is another top isometric view thereof; FIG. 3 is a side elevational view thereof with other elements of a mercury vapor light shown in phantom; FIG. 4 is a front elevational view thereof; FIG. 5 is a back elevational view thereof; FIG. 6 is a top plan view thereof; and, FIG. 7 is a bottom plan view thereof.

[51] **LOC (7) Cl.** ..... **26-05**

[52] **U.S. Cl.** ..... **D26/71**

[58] **Field of Search** ..... D26/87, 92, 67-71; 362/147, 431, 432, 341

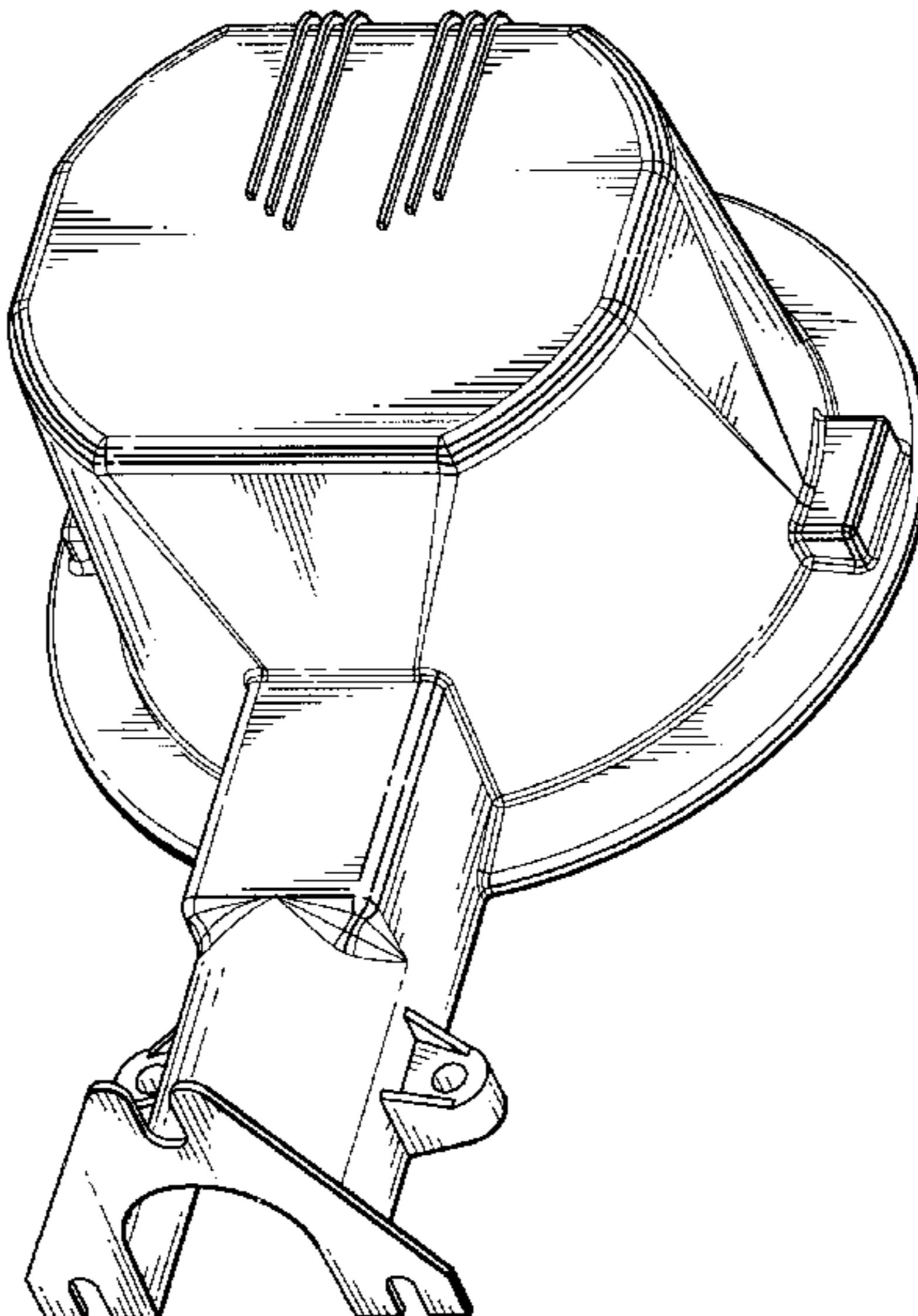
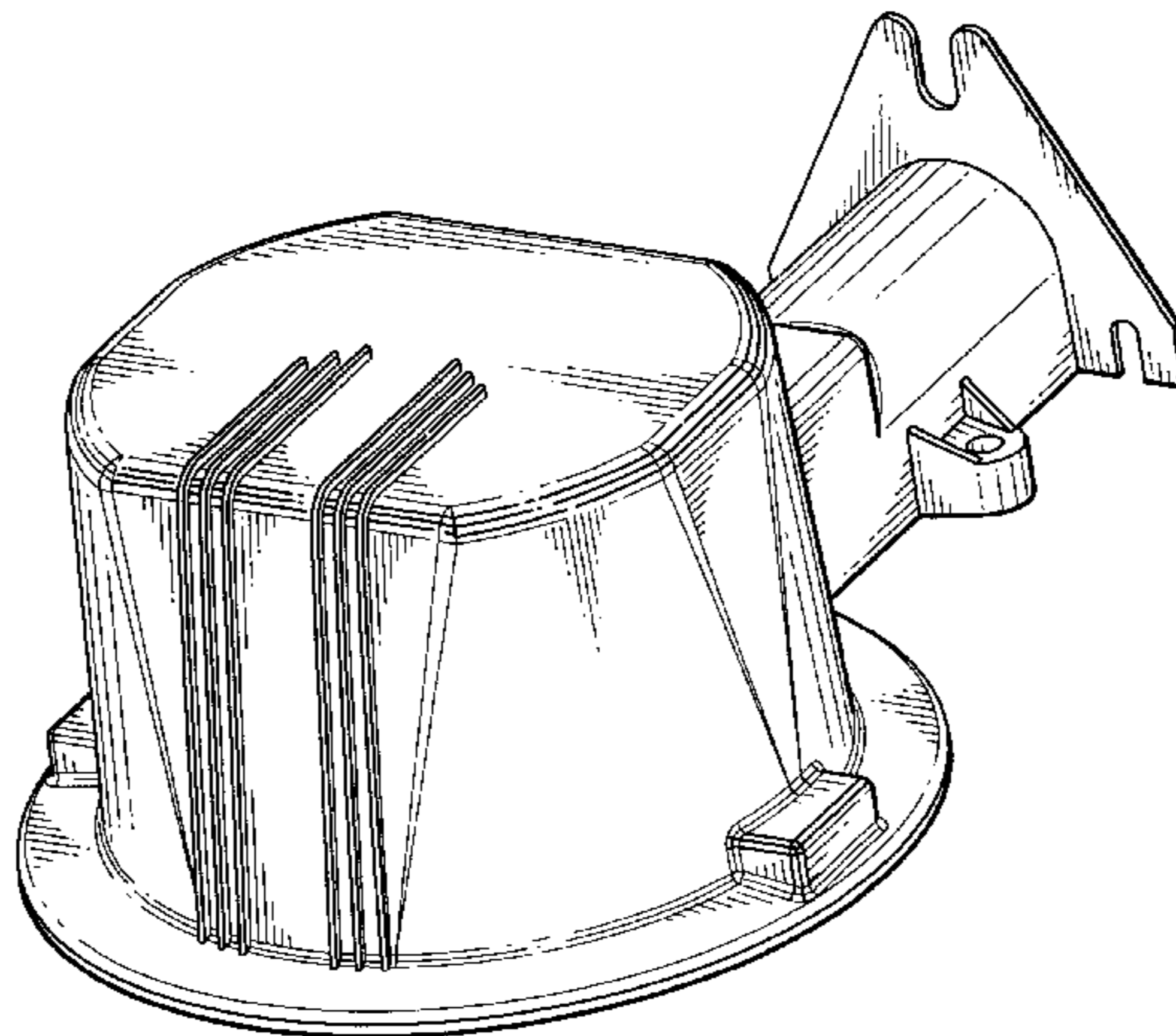
The phantom lines are shown for illustrative purposes only and form no part of the claimed design.

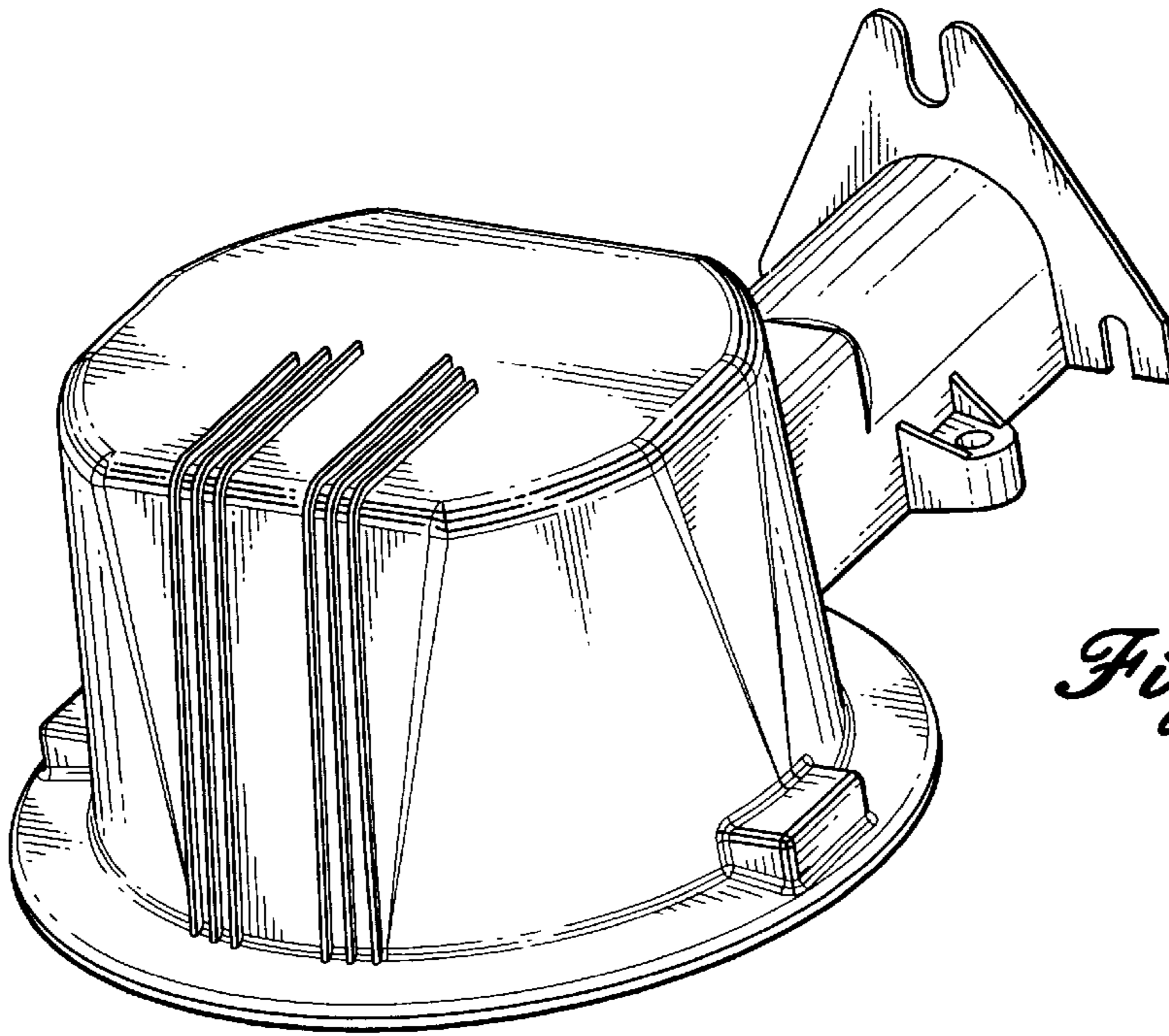
[56] **References Cited**

**U.S. PATENT DOCUMENTS**

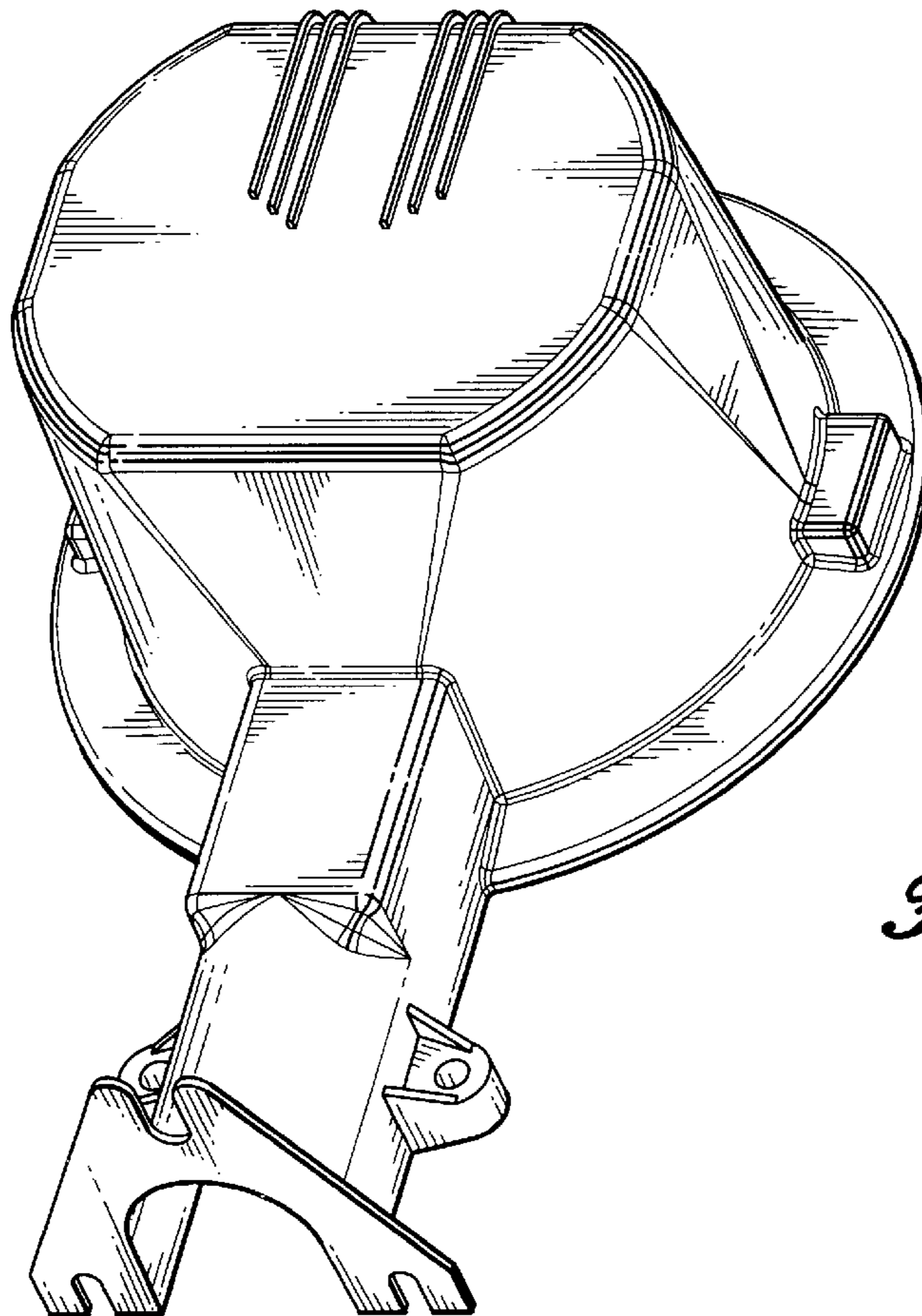
|            |         |                |       |         |
|------------|---------|----------------|-------|---------|
| D. 313,483 | 1/1991  | Blake          | ..... | D26/71  |
| D. 329,714 | 9/1992  | McIngvale, Jr. | ..... | D26/71  |
| D. 389,939 | 1/1998  | Leen           | ..... | D26/394 |
| D. 394,516 | 5/1998  | Leen           | ..... | D26/71  |
| D. 400,280 | 10/1998 | Leen           | ..... | D26/71  |

**1 Claim, 4 Drawing Sheets**

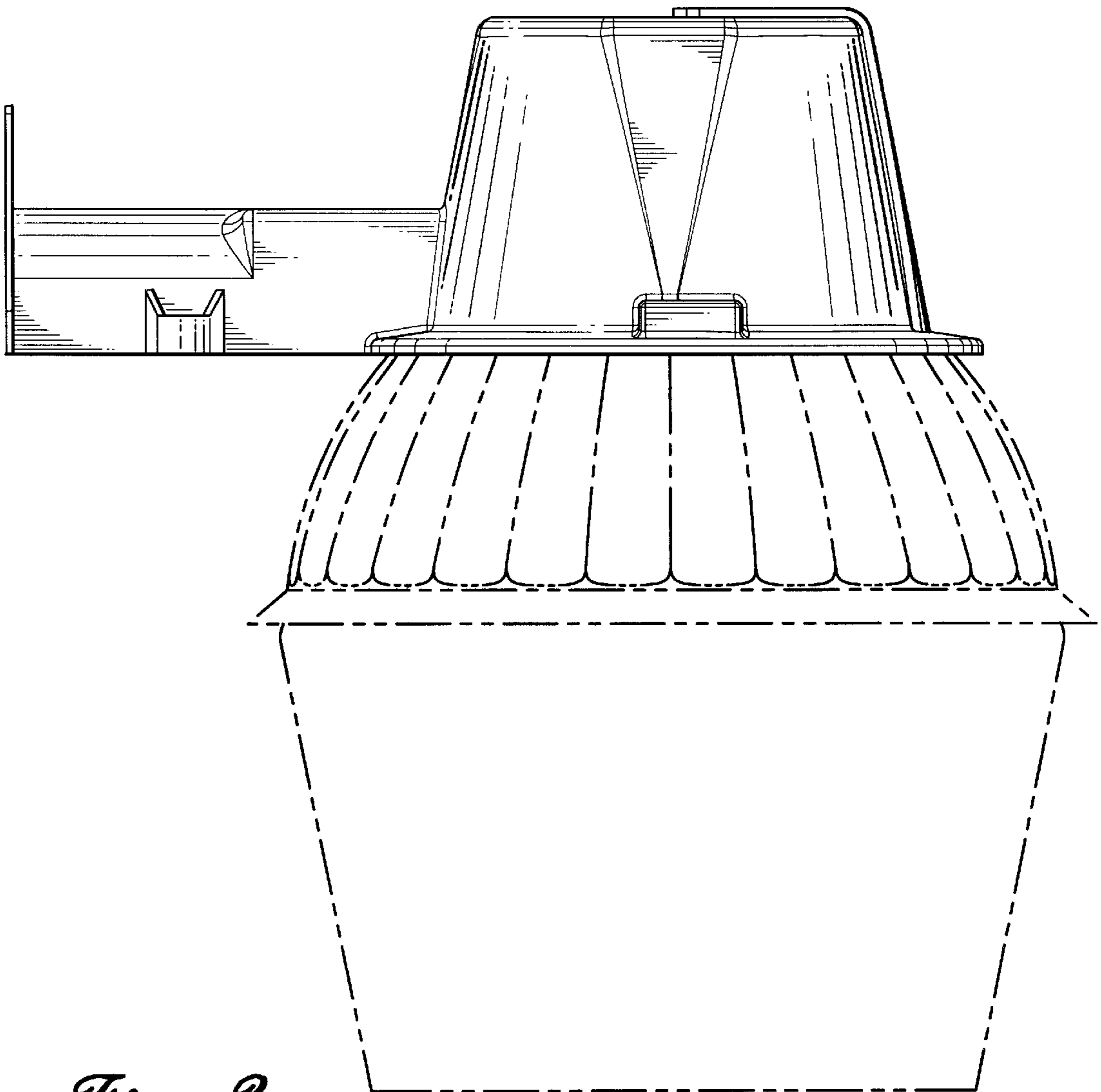




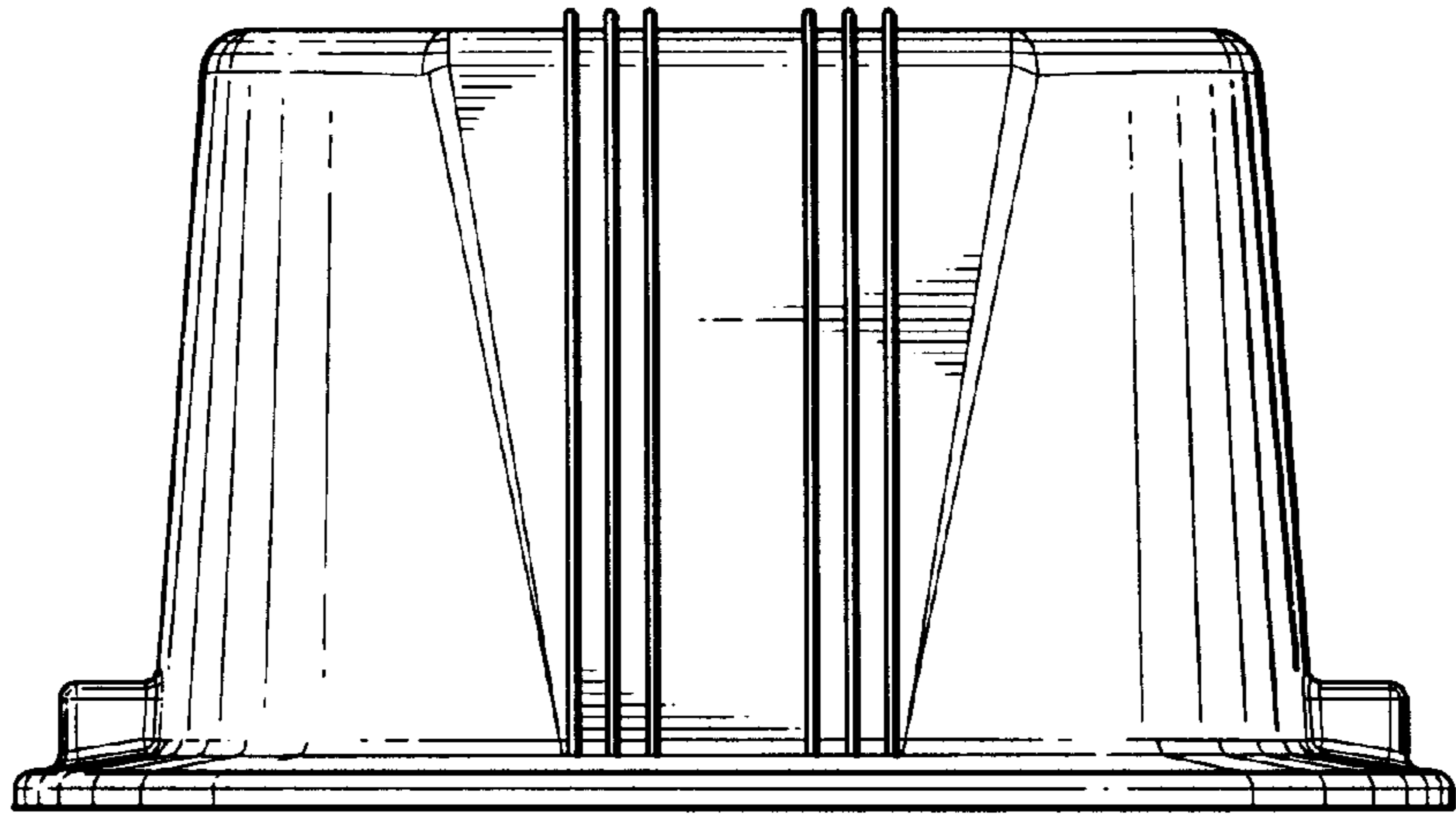
*Fig. 1*



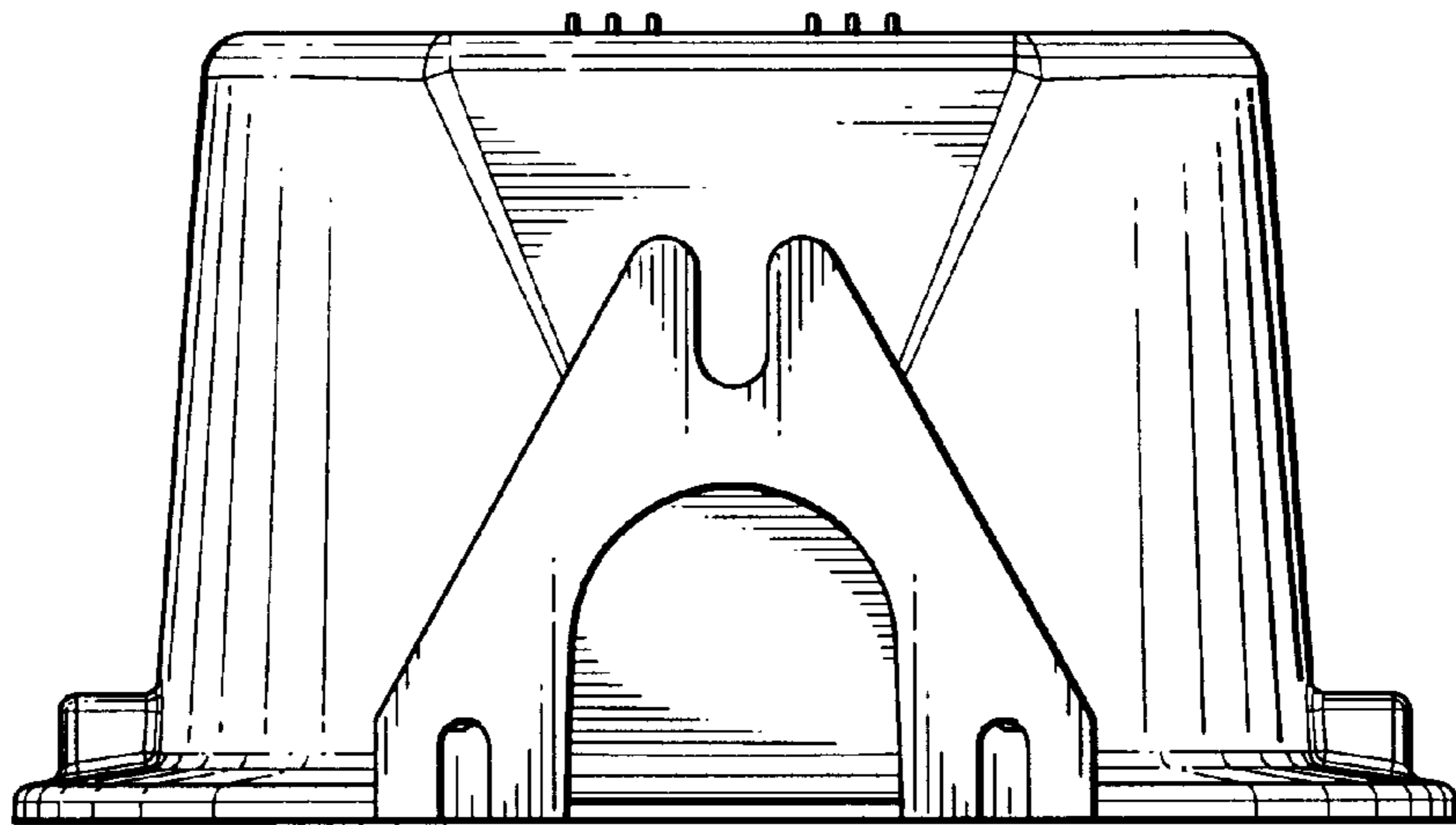
*Fig. 2*



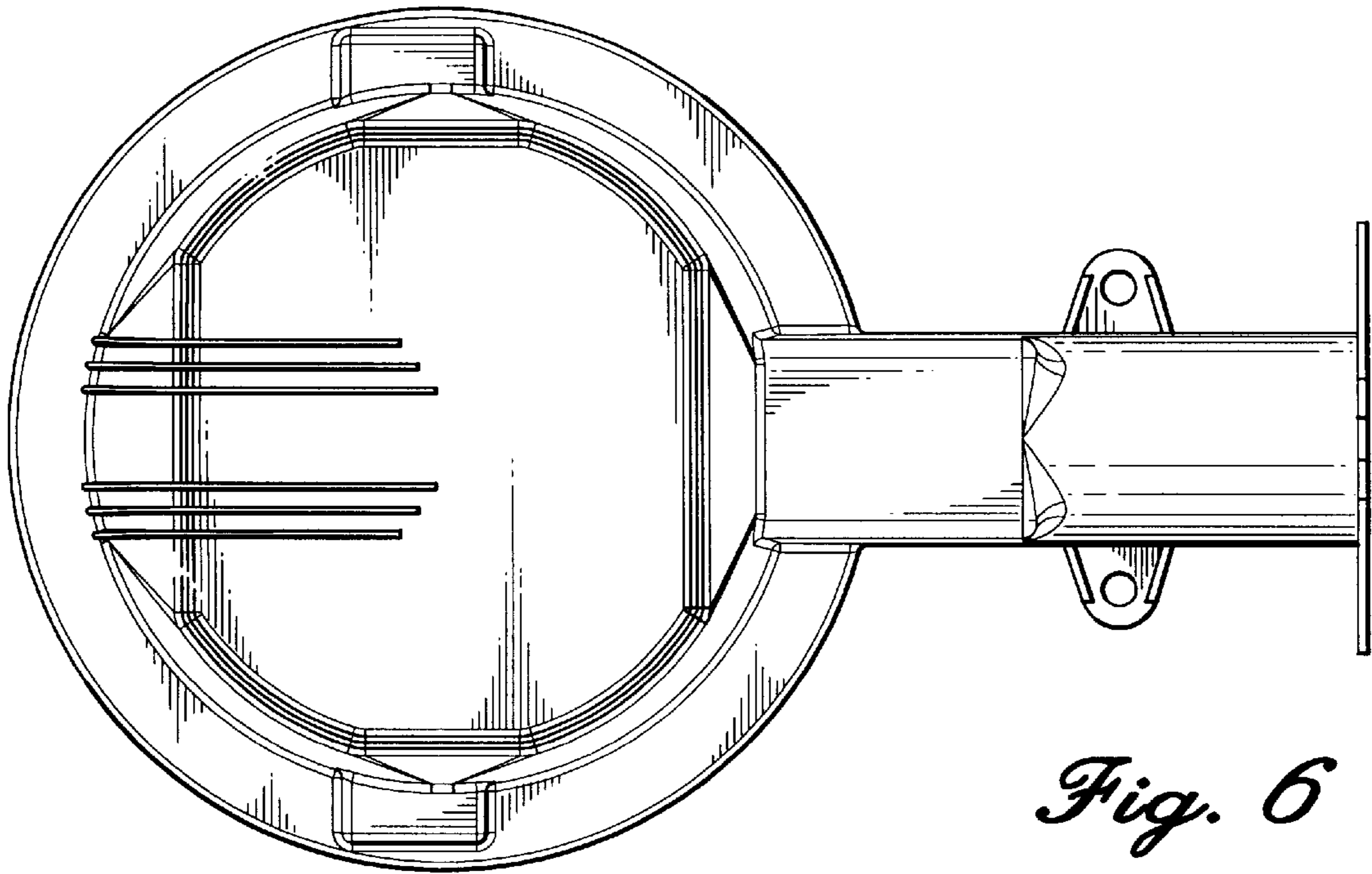
*Fig. 3*



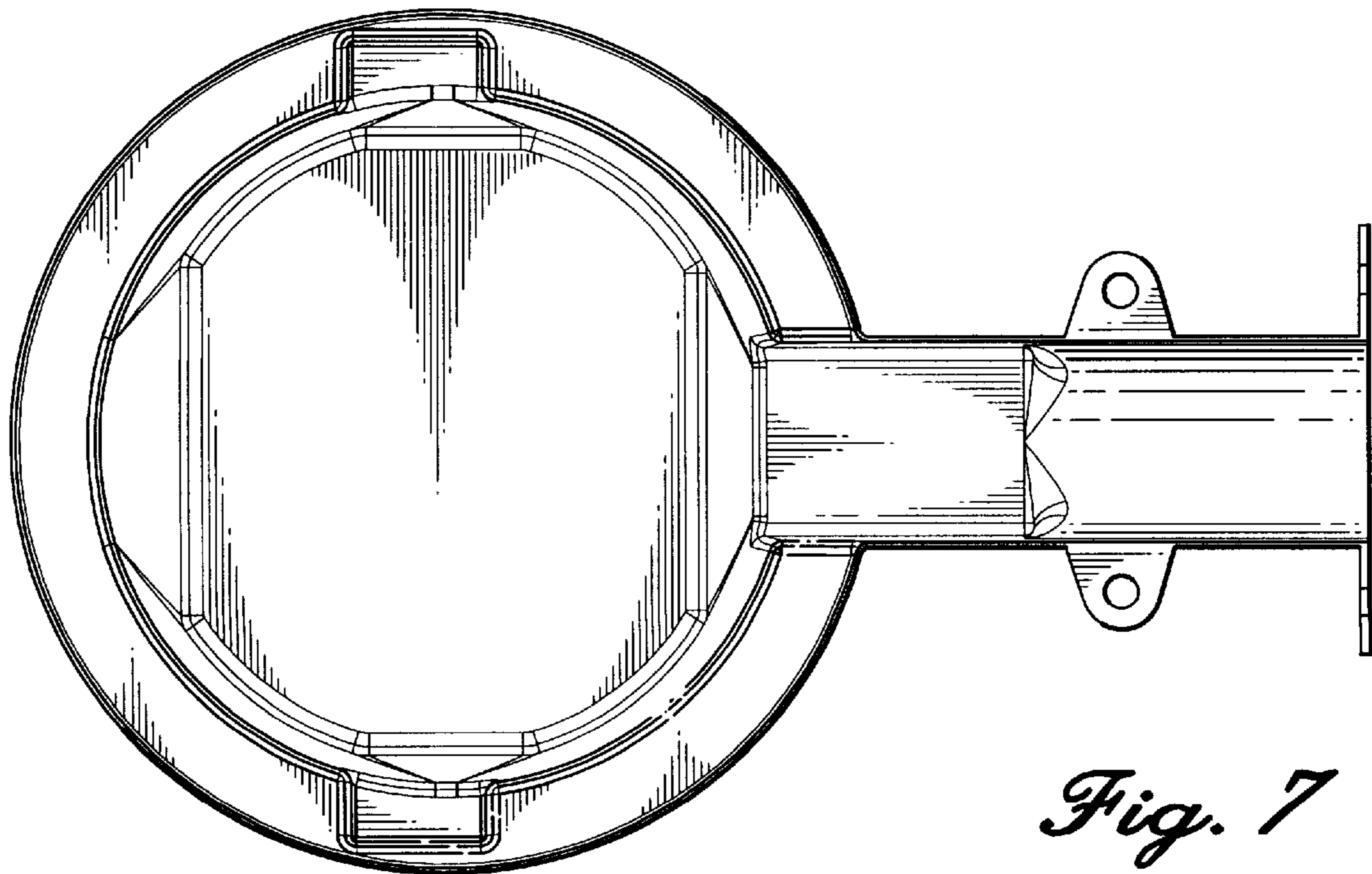
*Fig. 4*



*Fig. 5*



*Fig. 6*



*Fig. 7*