



US00D425645S

United States Patent [19]

Giese et al.

[11] Patent Number: Des. 425,645

[45] Date of Patent: ** May 23, 2000

[54] **OUTDOOR LIGHT FIXTURE**

[76] Inventors: **Robert D. Giese**, 6307 5th Ave., Kenosha, Wis. 53140; **Edward C. Cornell**, 2518 W. Ridgeland Ave., Waukegan, Ill. 60085

[**] Term: **14 Years**

[21] Appl. No.: **29/099,346**

[22] Filed: **Jan. 20, 1999**

[51] **LOC (7) Cl.** **26-05**

[52] **U.S. Cl.** **D26/68**

[58] **Field of Search** D26/67-71; 362/153, 362/153.1, 431

- D. 382,308 8/1997 Cornell et al. .
- D. 390,681 2/1998 Denison et al. .
- D. 392,763 3/1998 Denison et al. .
- D. 393,090 3/1998 Giese et al. .
- 5,704,704 1/1998 Reichard et al. 362/431

OTHER PUBLICATIONS

- Design Guide, B-K Lighting, Inc., 1988.
- Lighting Catalog, Bright Yin Huey Co., Ltd., 1995.
- Landscape Architecture*, Jun. 1997, p. 63.
- Architectural Grade Landscape Lighting Products catalog, Intermatic, 1993.
- Architectural Grade Landscape Lighting Products catalog, Intermatic, May 1995.
- Imaginative Illumination catalog, Intermatic, 1992.
- Distributor Confidential Price List, Intermatic, Jan. 1, 1996.

Primary Examiner—Lisa Lichtenstein
Attorney, Agent, or Firm—Brinks Hofer Gilson & Lione

[56] **References Cited**

U.S. PATENT DOCUMENTS

- D. 205,973 10/1966 Lawlor .
- D. 290,410 6/1987 Haggard .
- D. 308,111 5/1990 Banathy et al. .
- D. 316,452 4/1991 Kira .
- D. 316,459 4/1991 Kira .
- D. 316,758 5/1991 Kira .
- D. 317,661 6/1991 Kira .
- D. 318,136 7/1991 Kira .
- D. 319,891 9/1991 Giese .
- D. 323,567 1/1992 Denison et al. .
- D. 333,529 2/1993 Denison et al. .
- D. 360,961 8/1995 Czerlanis et al. .
- D. 360,962 8/1995 Cornell et al. .
- D. 360,963 8/1995 Czerlanis et al. .
- D. 360,964 8/1995 Cullen et al. .
- D. 360,965 8/1995 Cullen et al. .
- D. 366,713 1/1996 Cornell et al. .

[57] **CLAIM**

We claim the ornamental design for an outdoor light fixture, as shown and described.

DESCRIPTION

FIG. 1 is a perspective view of an outdoor light fixture showing our new design, with the broken line showing of the spike for illustrative purposes only;
FIG. 2 is a front, side and rear view of the embodiment shown in FIG. 1;
FIG. 3 is a top view of the embodiment shown in FIG. 1-2; and,
FIG. 4 is a bottom view of the embodiment shown in FIG. 1-3.

1 Claim, 2 Drawing Sheets

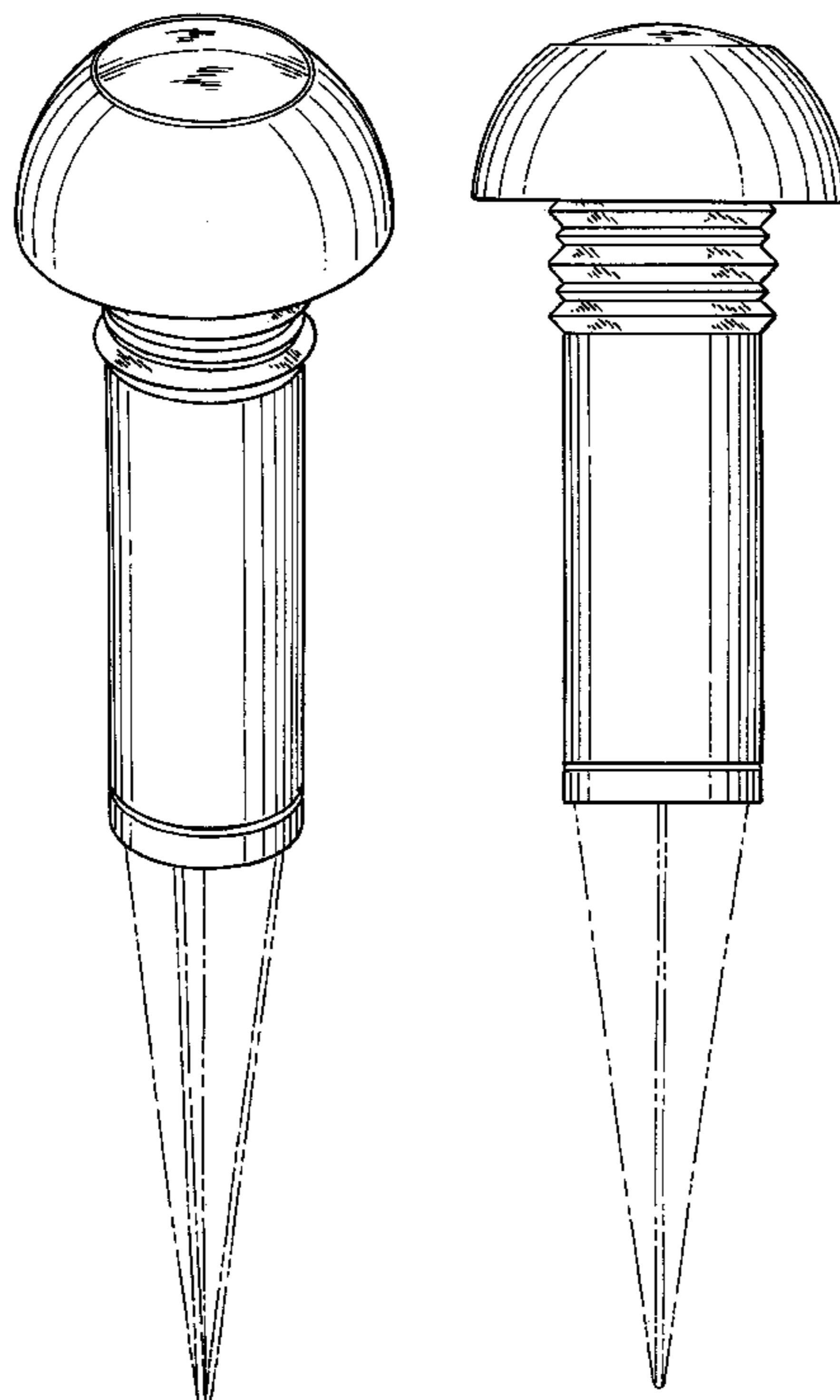


FIG. 1

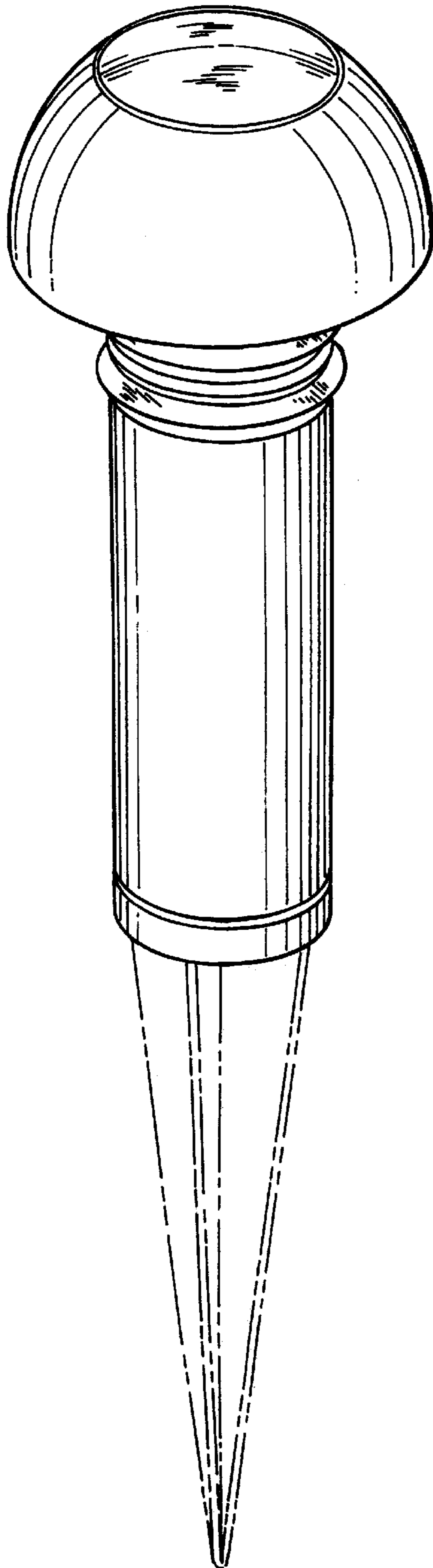


FIG. 2

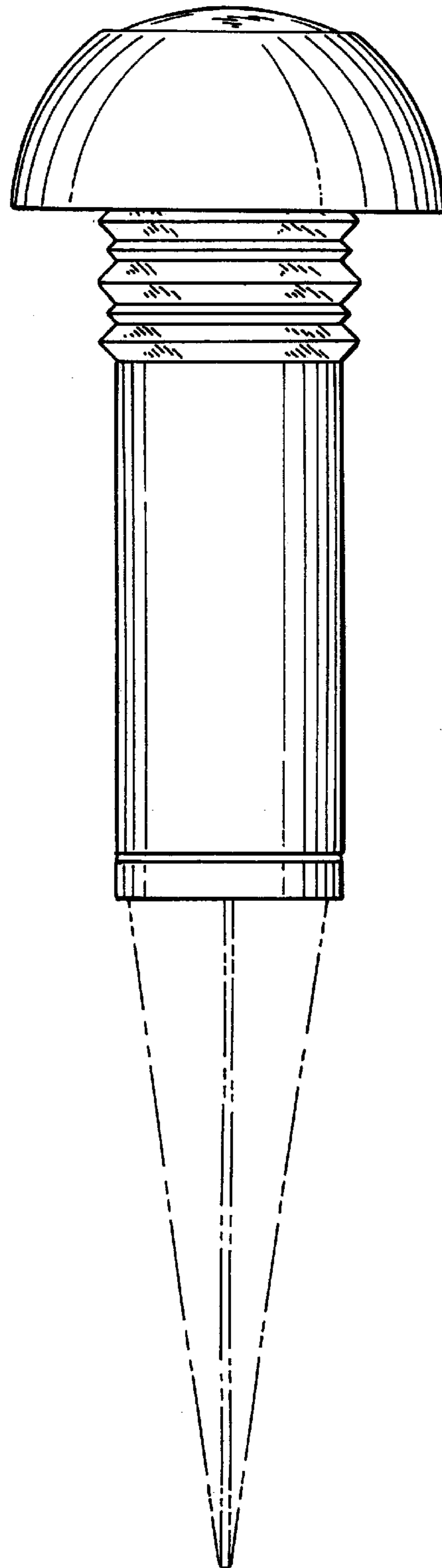


FIG. 3

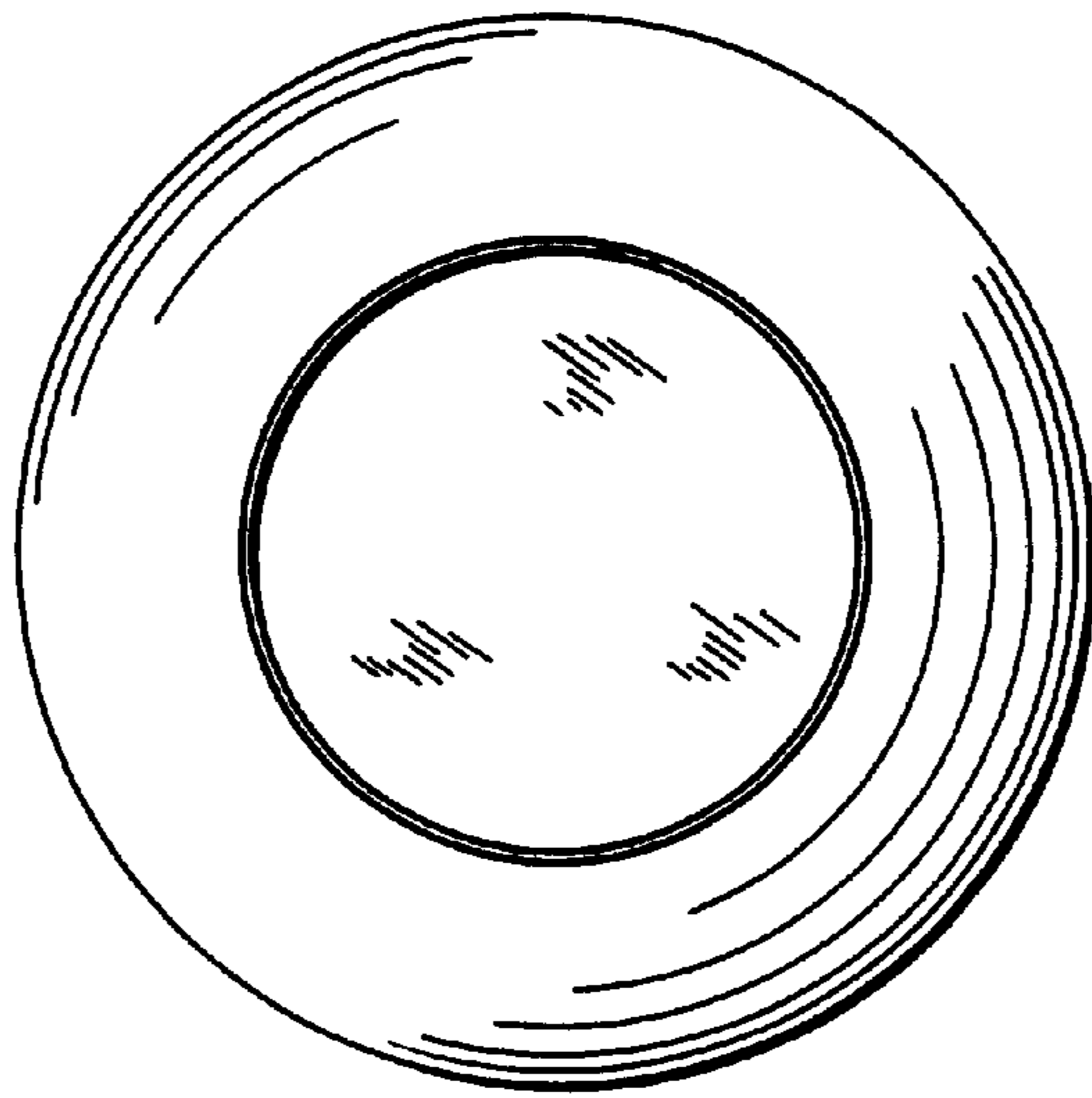


FIG. 4

