



US00D425644S

**United States Patent** [19]  
**Swanson**

[11] **Patent Number: Des. 425,644**

[45] **Date of Patent: \*\* May 23, 2000**

[54] **DESK LAMP HAVING ADJUSTABLE TASK LIGHTS AND GENERAL AREA LIGHTING**

[75] Inventor: **Dennis K. Swanson**, Woodland Hills, Calif.

[73] Assignee: **Pacific Coast Lighting**, Chatsworth, Calif.

[\*\*] Term: **14 Years**

[21] Appl. No.: **29/102,035**

[22] Filed: **Mar. 16, 1999**

[51] **LOC (7) Cl.** ..... **26-05**

[52] **U.S. Cl.** ..... **D26/65**

[58] **Field of Search** ..... D26/61, 62, 63, D26/64, 93, 102-112; 362/410-414, 269, 277, 287, 418, 419, 427

[56] **References Cited**

**U.S. PATENT DOCUMENTS**

D. 371,449	7/1996	Huang et al.	.....	D26/65
D. 403,456	12/1998	Huang	.....	D26/63 X
5,567,043	10/1996	Swanson	.....	362/410 X

**OTHER PUBLICATIONS**

Design Selection, May/Jun., 1987, Thorn lighting floor lamp.

Taiwan Lighting, Nov. 1997, p. 151, floor lamp #JF-889/2H/30.

*Primary Examiner*—Susan J. Lucas

*Attorney, Agent, or Firm*—Fulbright & Jaworski L.L.P.

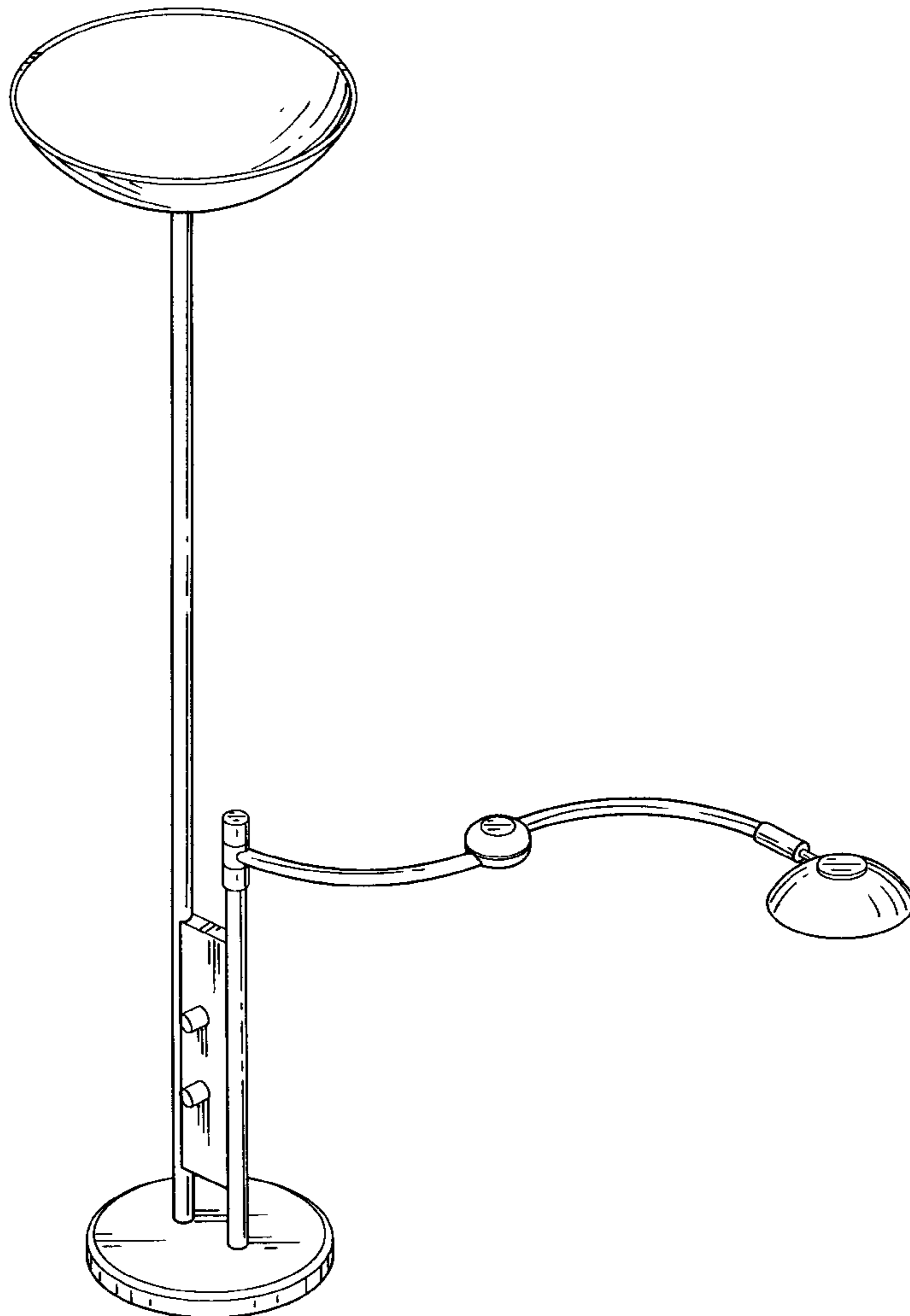
[57] **CLAIM**

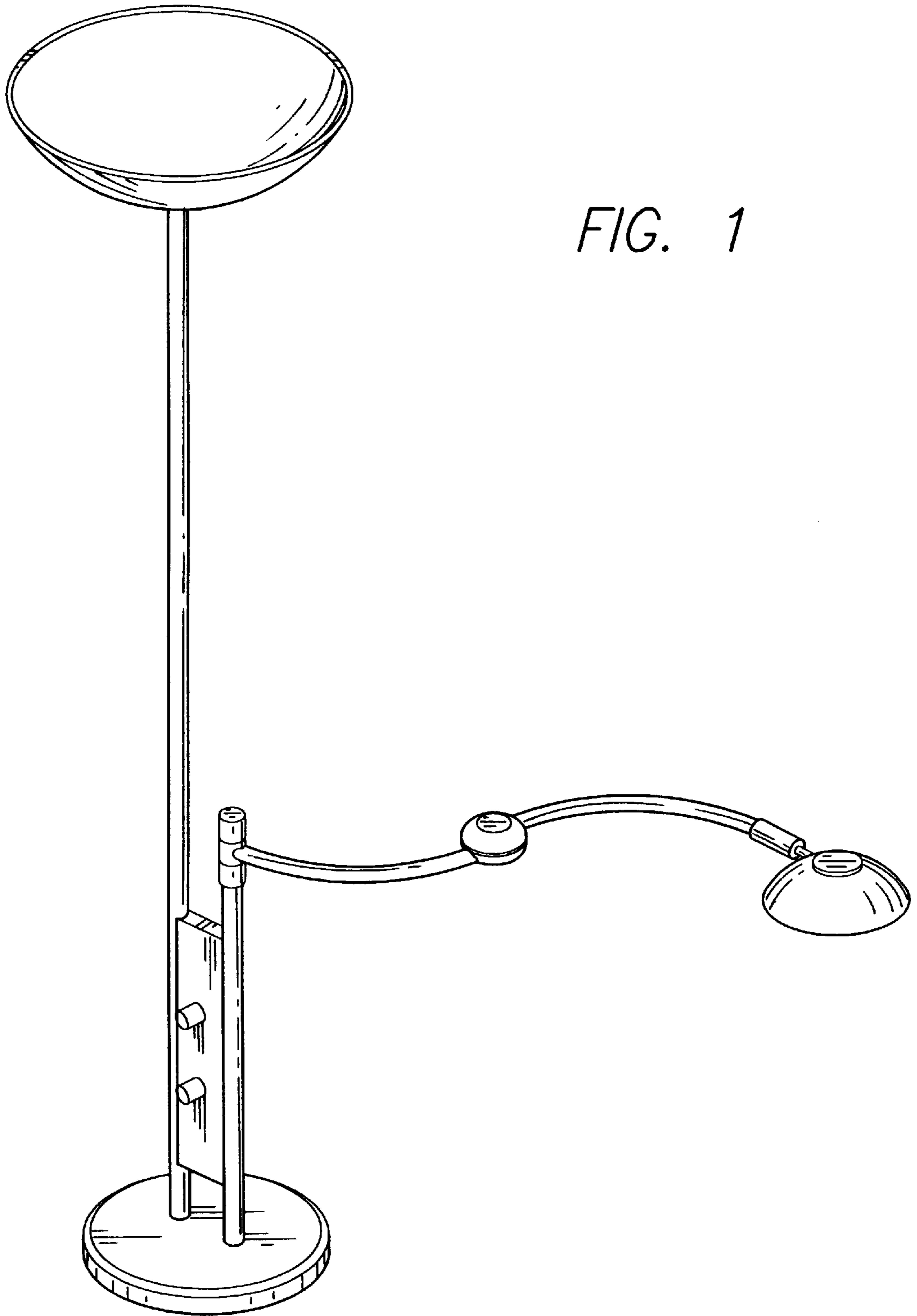
The ornamental design for a desk lamp having adjustable task lights and general area lighting, as shown and described.

**DESCRIPTION**

FIG. 1 is a perspective view of a desk lamp having adjustable task lights and general area lighting of my invention; FIG. 2 is a front elevational view thereof; FIG. 3 is a rear elevational view thereof; FIG. 4 is a top plan view thereof; FIG. 5 is a right elevational view thereof; and, FIG. 6 is a left elevational view thereof.

**1 Claim, 3 Drawing Sheets**





*FIG. 1*

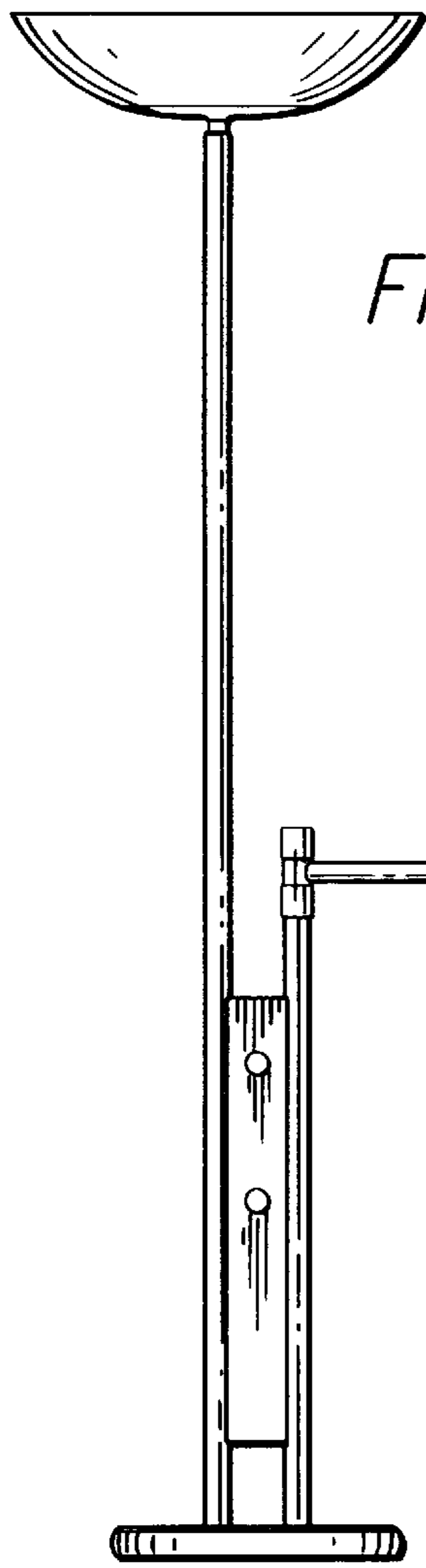


FIG. 2

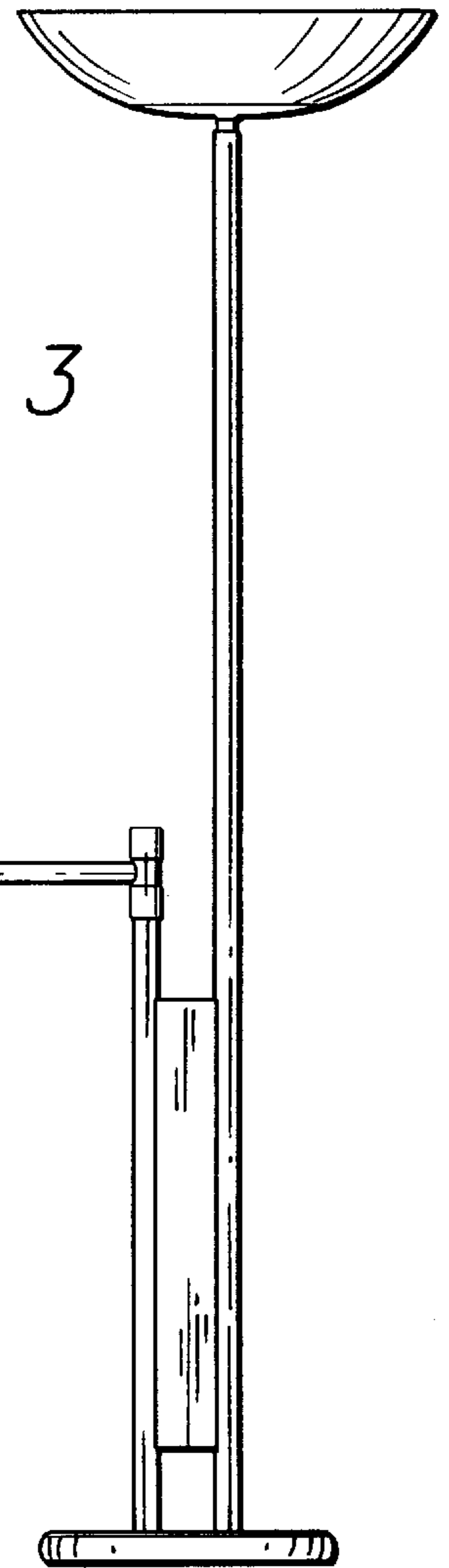


FIG. 3

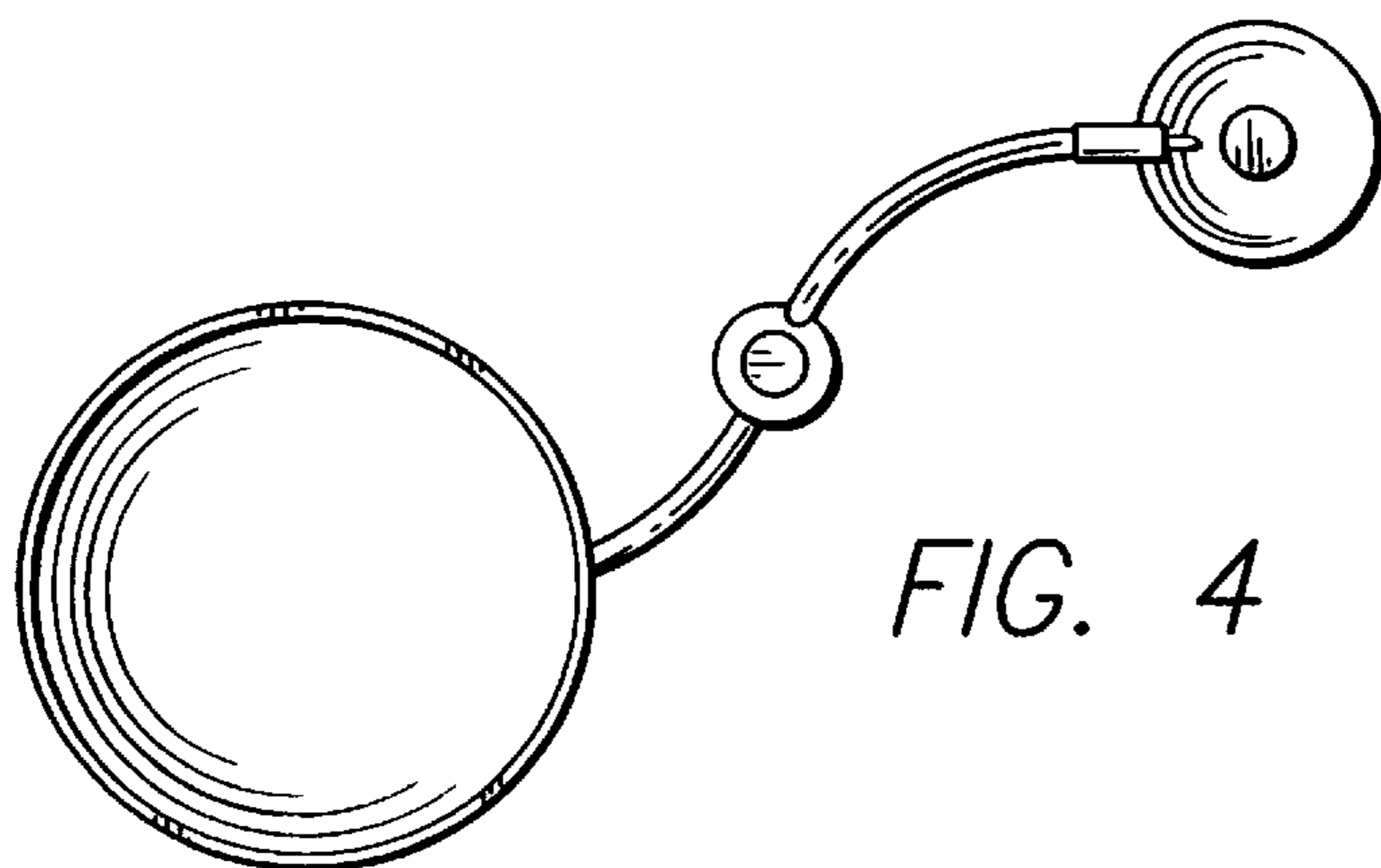


FIG. 4

