



US00D425643S

United States Patent [19]
Jigamian et al.

[11] **Patent Number: Des. 425,643**

[45] **Date of Patent: ** May 23, 2000**

[54] **PORTABLE FOCUSED BEAM SEARCHLIGHT**

[75] Inventors: **Gregory Z. Jigamian**, Temecula;
Jeffrey P. Kennedy; **George Pelling**,
both of Huntington Beach, all of Calif.

[73] Assignee: **Xenonics, Inc.**, Carlsbad, Calif.

[**] Term: **14 Years**

[21] Appl. No.: **29/106,221**

[22] Filed: **Jun. 9, 1999**

[51] **LOC (7) Cl.** **26-02**

[52] **U.S. Cl.** **D26/46**

[58] **Field of Search** D26/37-50; 362/157,
362/158, 161, 164, 183-208

[56] **References Cited**

U.S. PATENT DOCUMENTS

D. 256,061	7/1980	Yelina	D26/46
D. 256,278	8/1980	Wong et al.	D26/46
D. 315,029	2/1991	Kwan	D26/42
D. 344,151	2/1994	Kwong	D26/42
D. 349,169	7/1994	Garza	D26/37

Primary Examiner—Marcus A. Jackson

Attorney, Agent, or Firm—Daniel L. Dawes

[57] **CLAIM**

We claim the ornamental design for portable focused beam searchlight, as shown and described.

DESCRIPTION

FIG. 1 is a perspective view of the searchlight.

FIG. 2 is a bottom elevational view of the searchlight with the finned heat sink and lens on the left end of the searchlight, showing the tripod mount in plan view.

FIG. 3 is a side elevational view of the searchlight with the finned heat sink and lens being on the left end of the searchlight, showing the pushbutton control switch and carrying handle in side elevational view. The left and right side elevational views are identical.

FIG. 4 is a top elevational view of the searchlight with the finned heat sink and lens being on the left end of the searchlight, showing the pushbutton control switch and carrying handle in top elevational view.

FIG. 5 is a front elevational view of the searchlight looking into the lens, reflector, and xenon arc lamp;

FIG. 6 is a rear elevational view of the searchlight showing an external electrical connector; and,

FIG. 7 is a rear elevational view thereof .

1 Claim, 4 Drawing Sheets

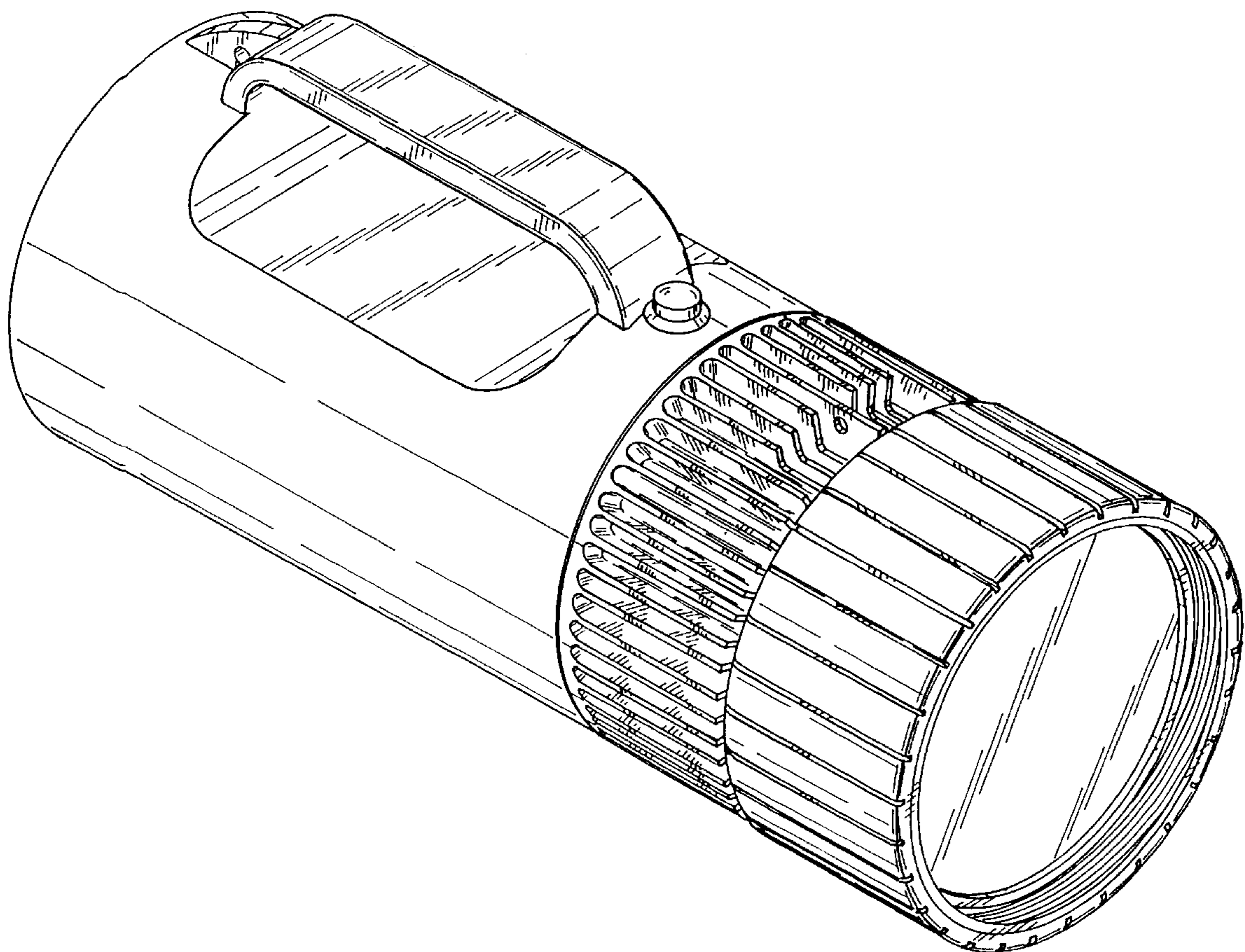
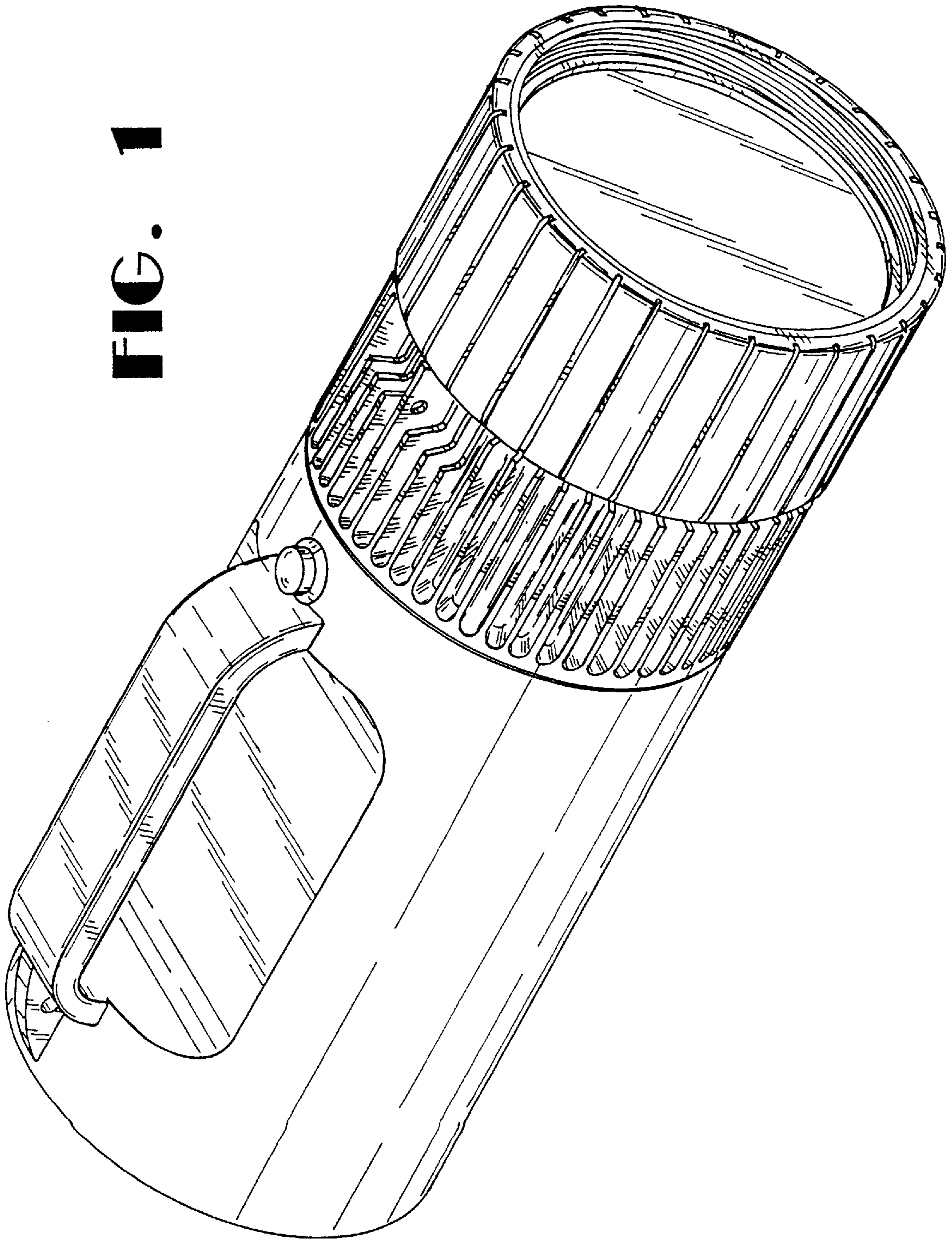


FIG. 1



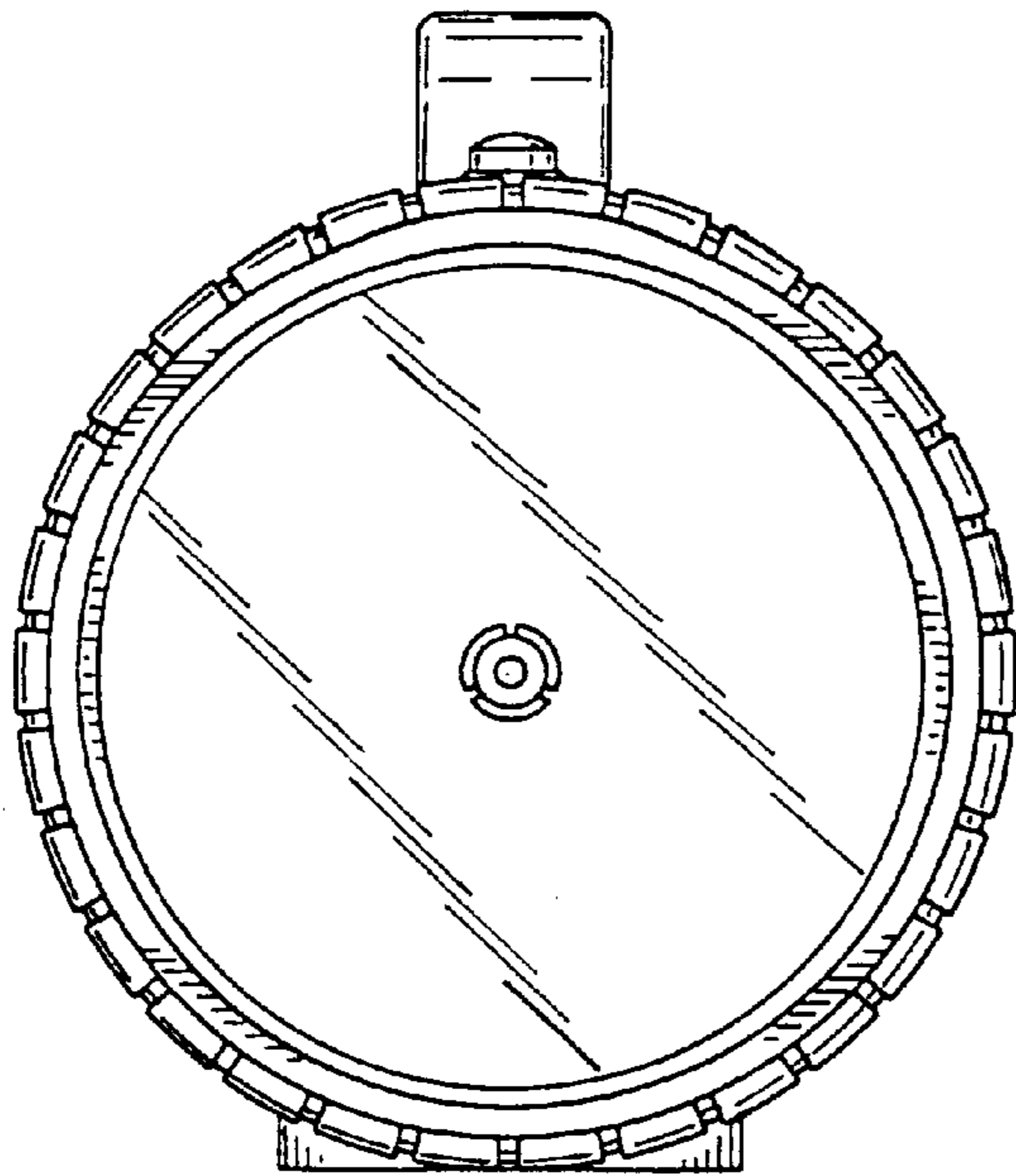
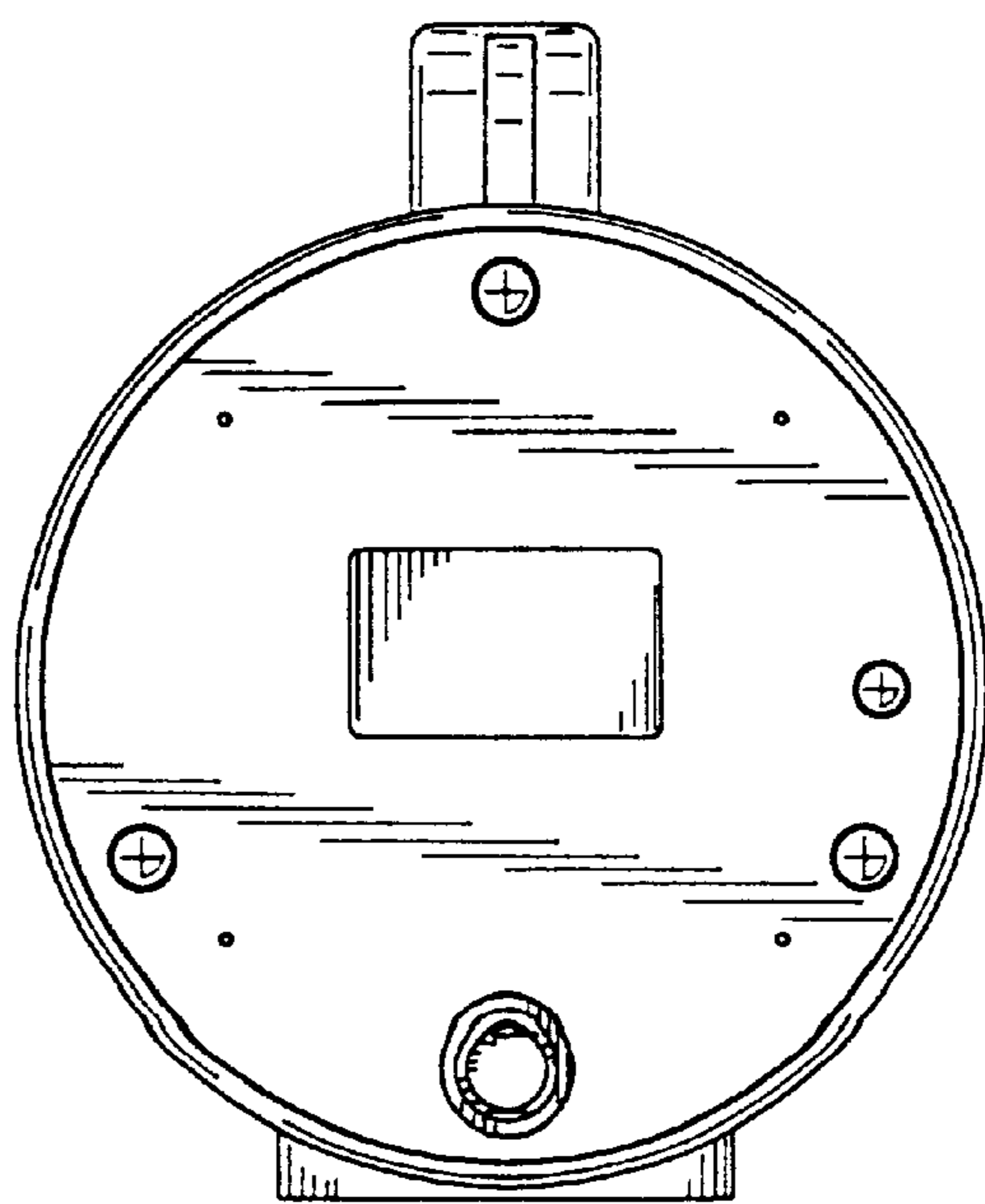


FIG. 2

FIG. 7



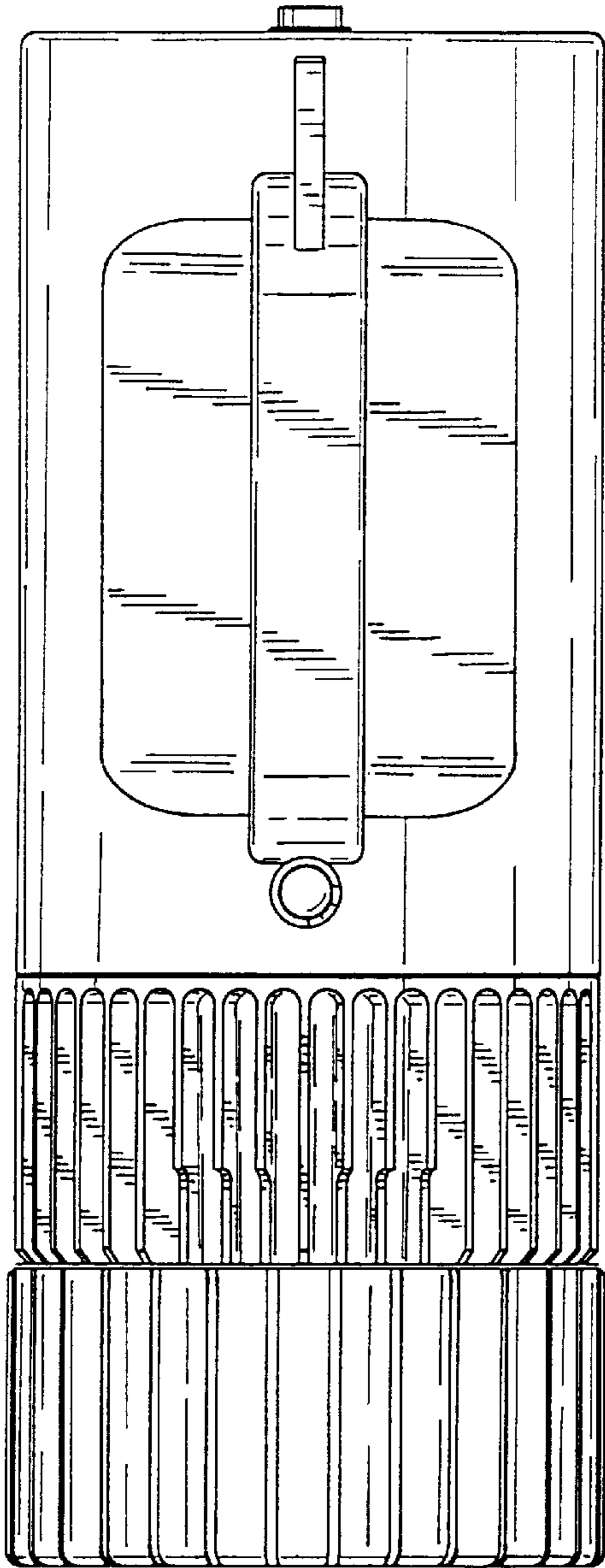


FIG. 3

FIG. 6

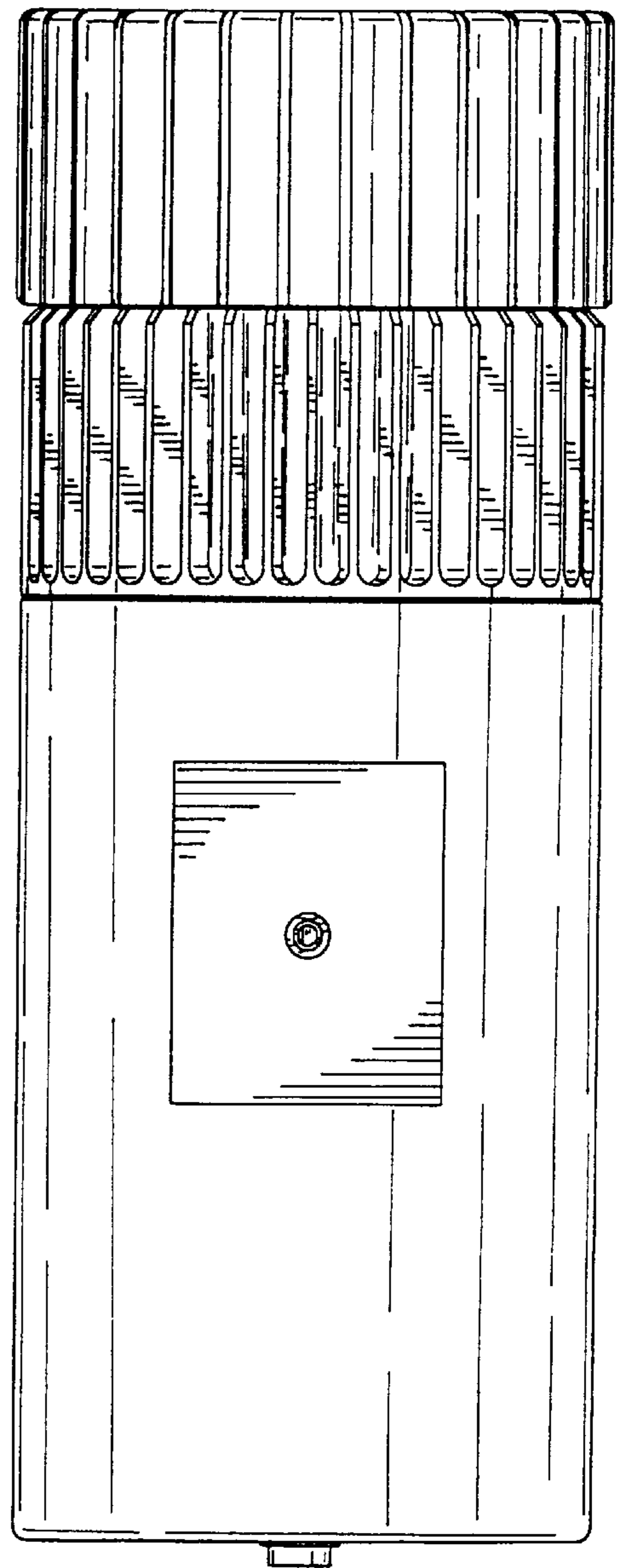


FIG. 4

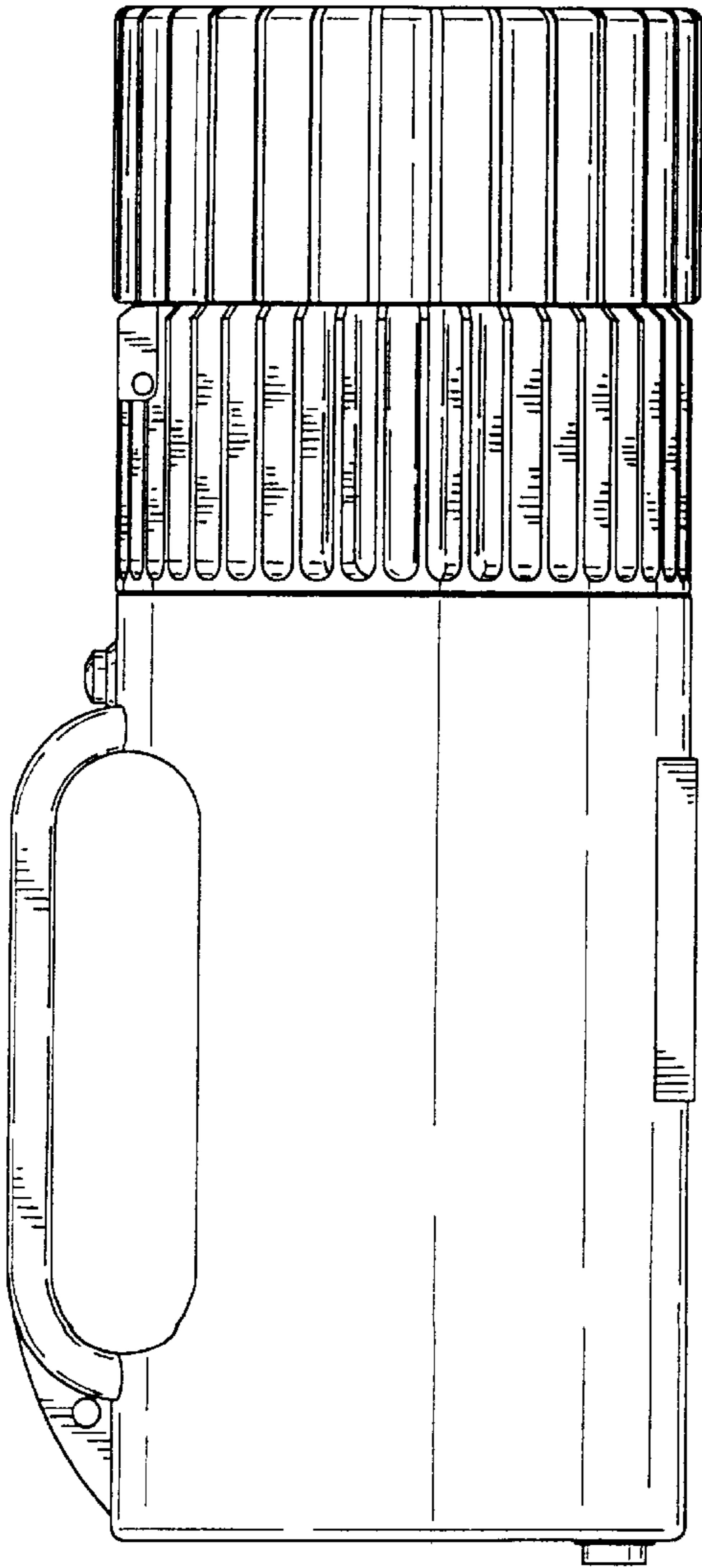


FIG. 5

