



US00D425642S

United States Patent [19]

Zeller

[11] Patent Number: **Des. 425,642**

[45] Date of Patent: **** May 23, 2000**

[54] **MULTIPURPOSE PORTABLE ELECTRIC LIGHTING UNIT**

D. 409,778 5/1999 Chu D26/44
D. 413,993 9/1999 Yuen D26/44

[76] Inventor: **Noel E. Zeller**, c/o Zelco Industries, Inc., 65 Haven Ave., Mount Vernon, N.Y. 10553

Primary Examiner—Marcus A. Jackson
Attorney, Agent, or Firm—Donald S. Dowden; Cooper & Dunham LLP

[**] Term: **14 Years**

[57] CLAIM

[21] Appl. No.: **29/108,274**

The ornamental design for a multipurpose portable electric lighting unit, as shown and described.

[22] Filed: **Jul. 23, 1999**

DESCRIPTION

[51] **LOC (7) Cl.** **26-02**

[52] **U.S. Cl.** **D26/44**

[58] **Field of Search** D26/37-50; 362/157, 362/158, 183-191, 194-208

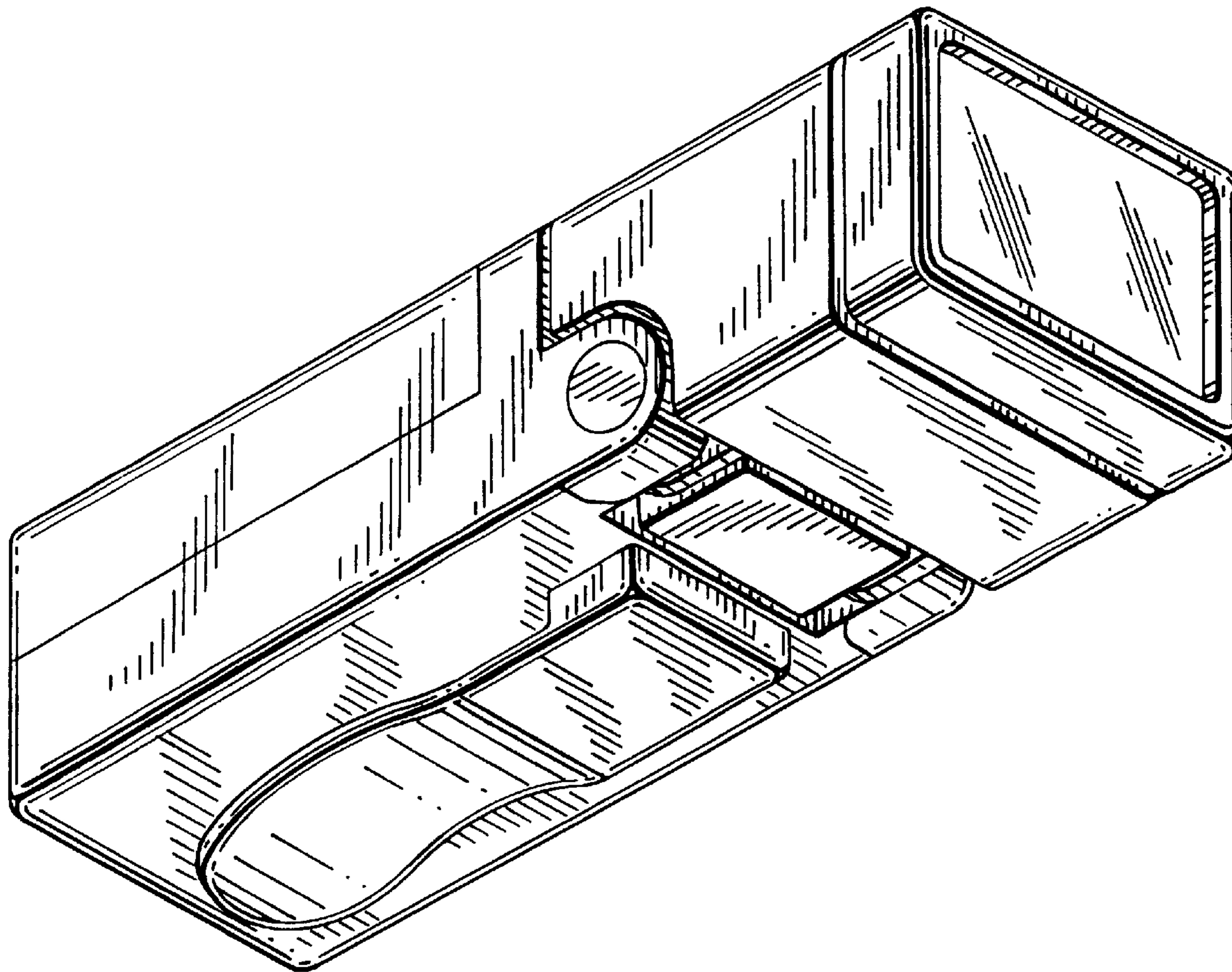
FIG. 1 is a bottom-front-left perspective view of apparatus embodying the invention;
FIG. 2 is a bottom view thereof;
FIG. 3 is a top view thereof;
FIG. 4 is a front view thereof;
FIG. 5 is a rear view thereof;
FIG. 6 is a left view thereof; and,
FIG. 7 is a bottom-left-front perspective view thereof in a second configuration.

[56] References Cited

U.S. PATENT DOCUMENTS

D. 296,827	7/1988	Yuen	D26/44
D. 297,372	8/1988	Poon	D26/44
D. 310,574	9/1990	Trattner	D26/44
D. 344,358	2/1994	Yuen	D26/44

1 Claim, 4 Drawing Sheets



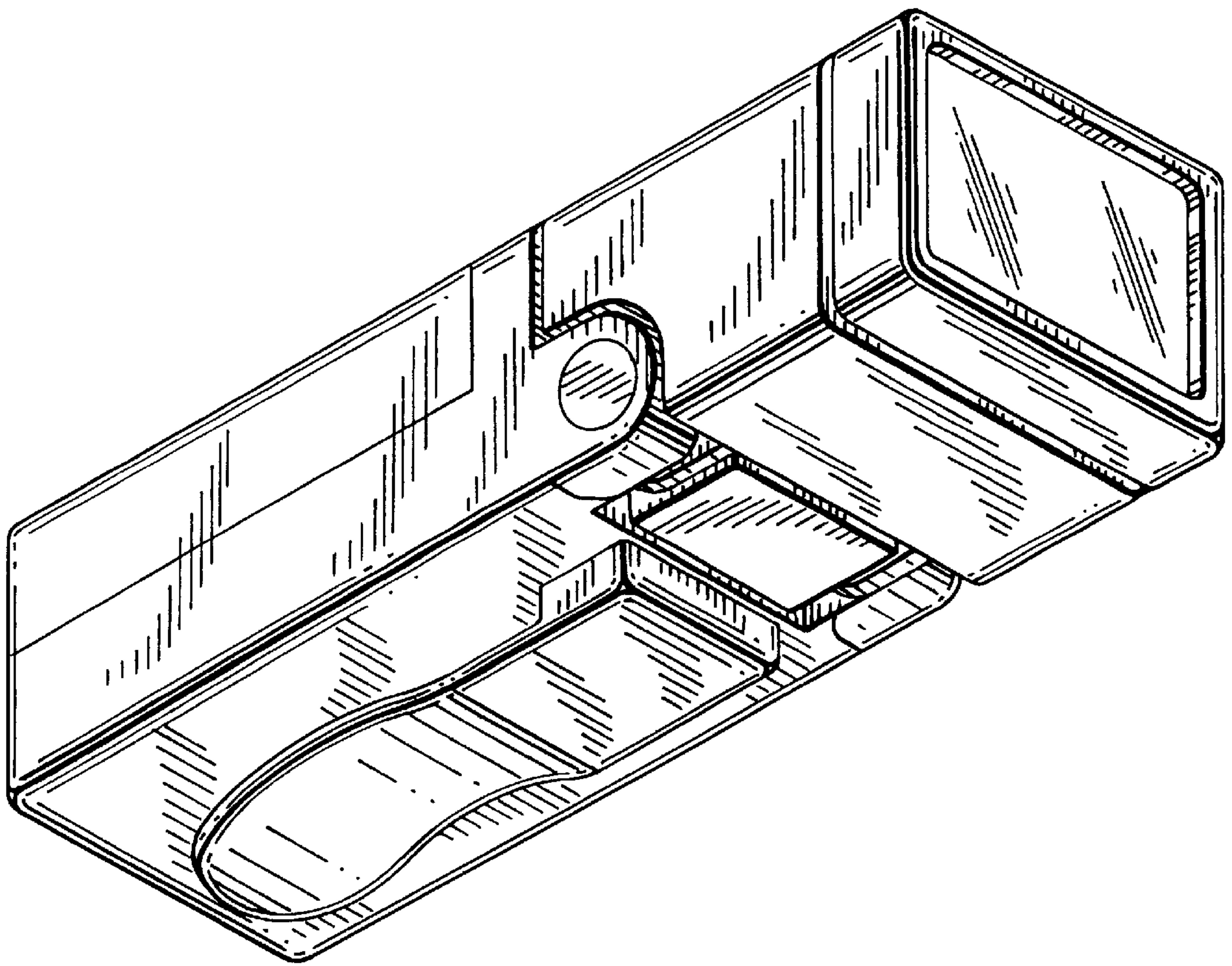


FIG. 1

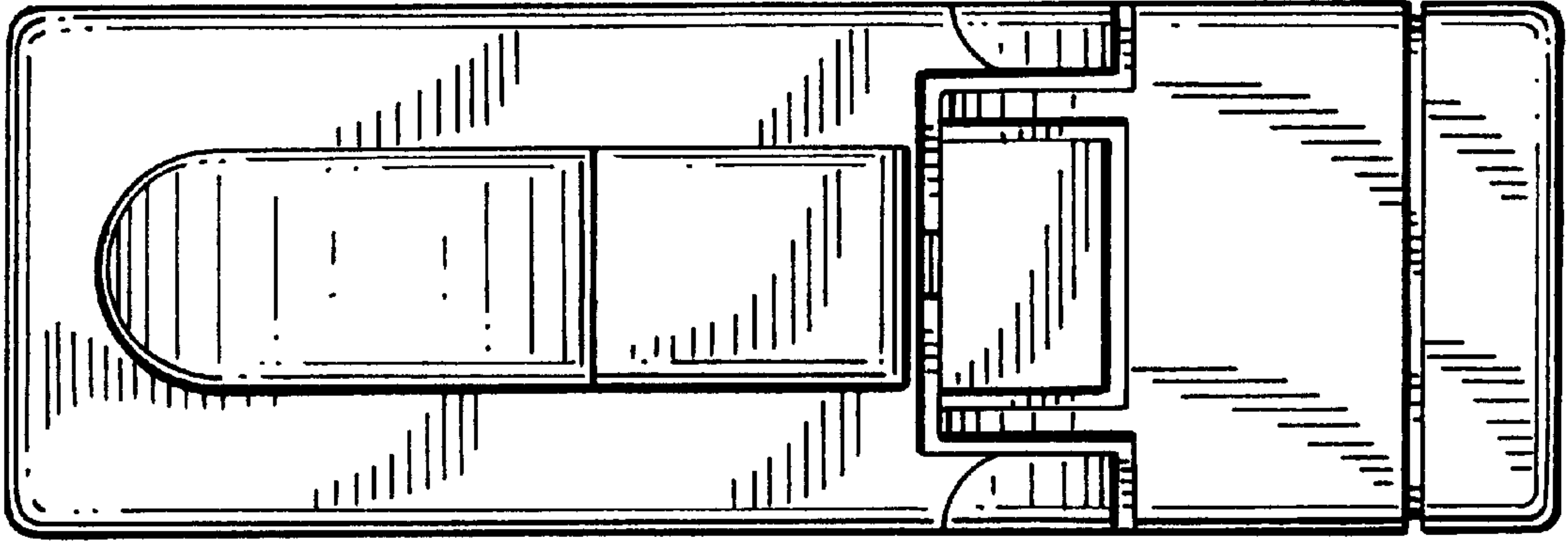


FIG. 2

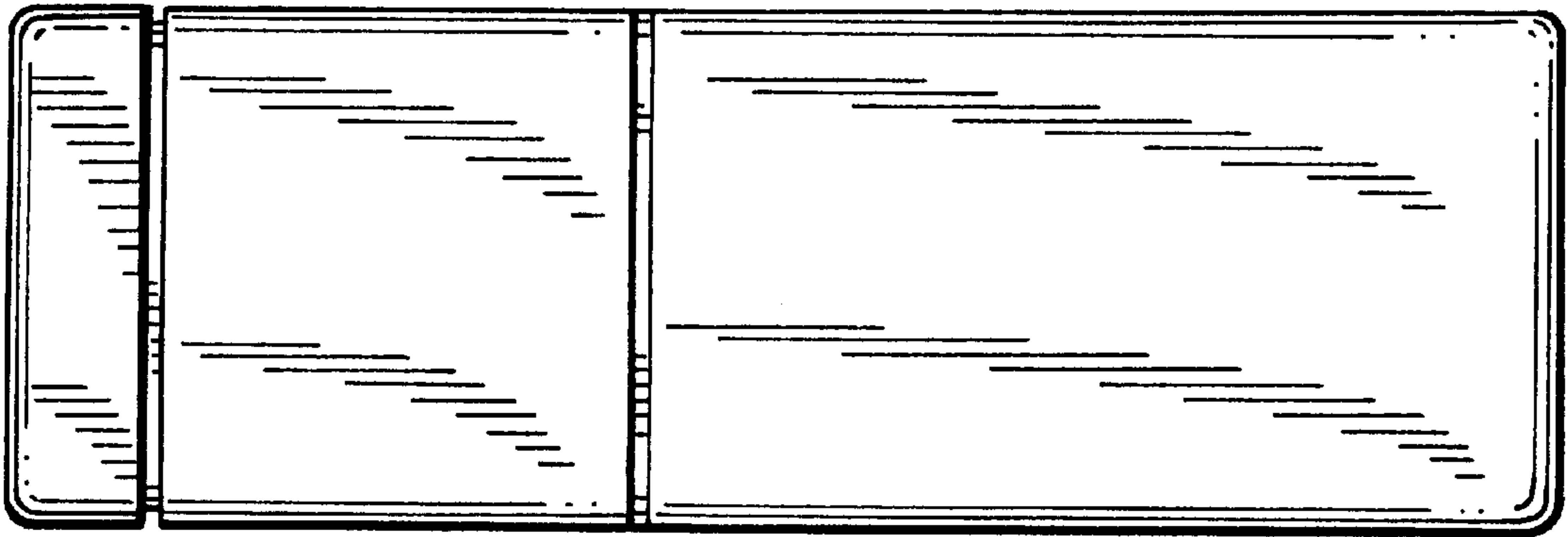


FIG. 3

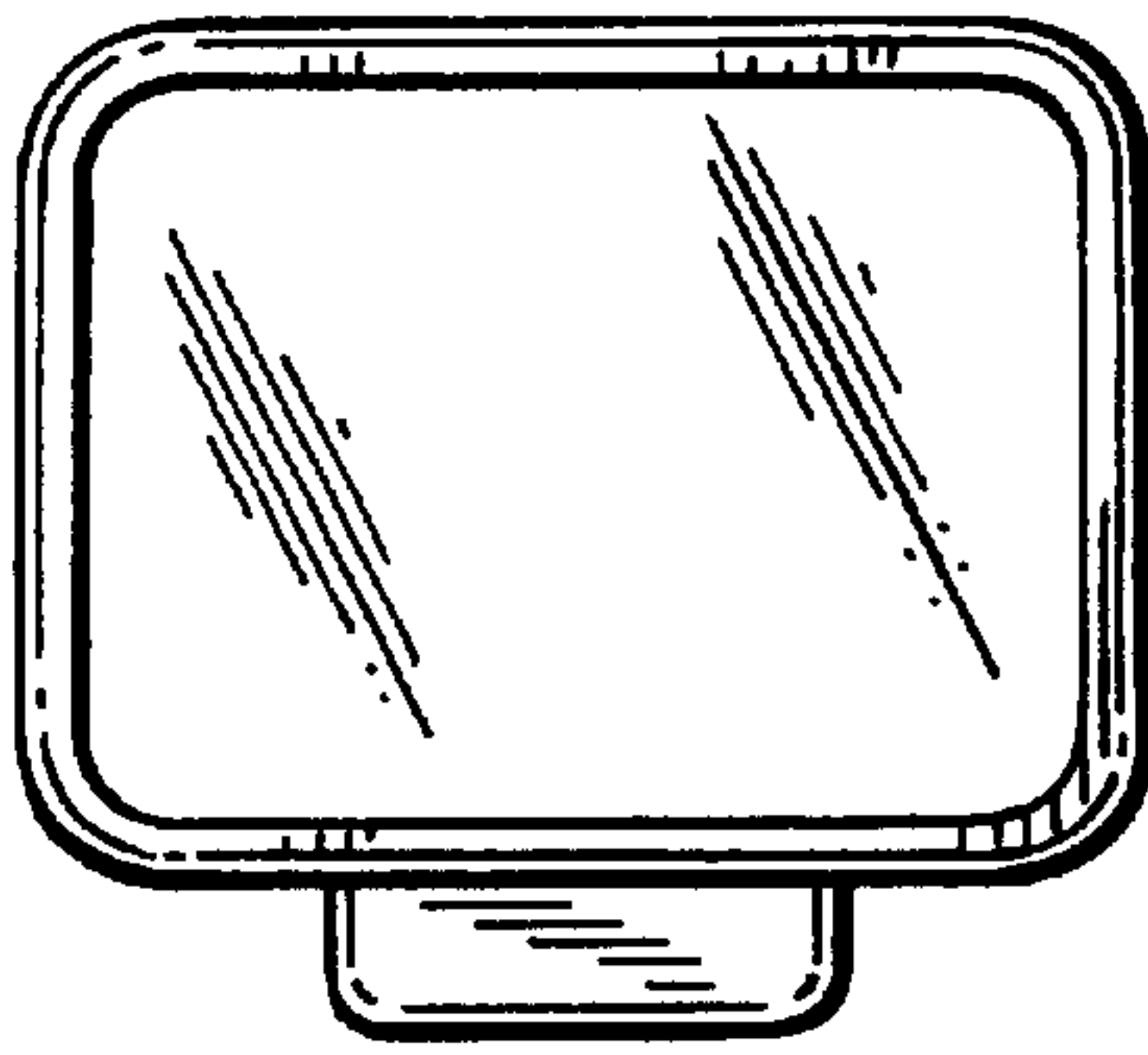


FIG. 4

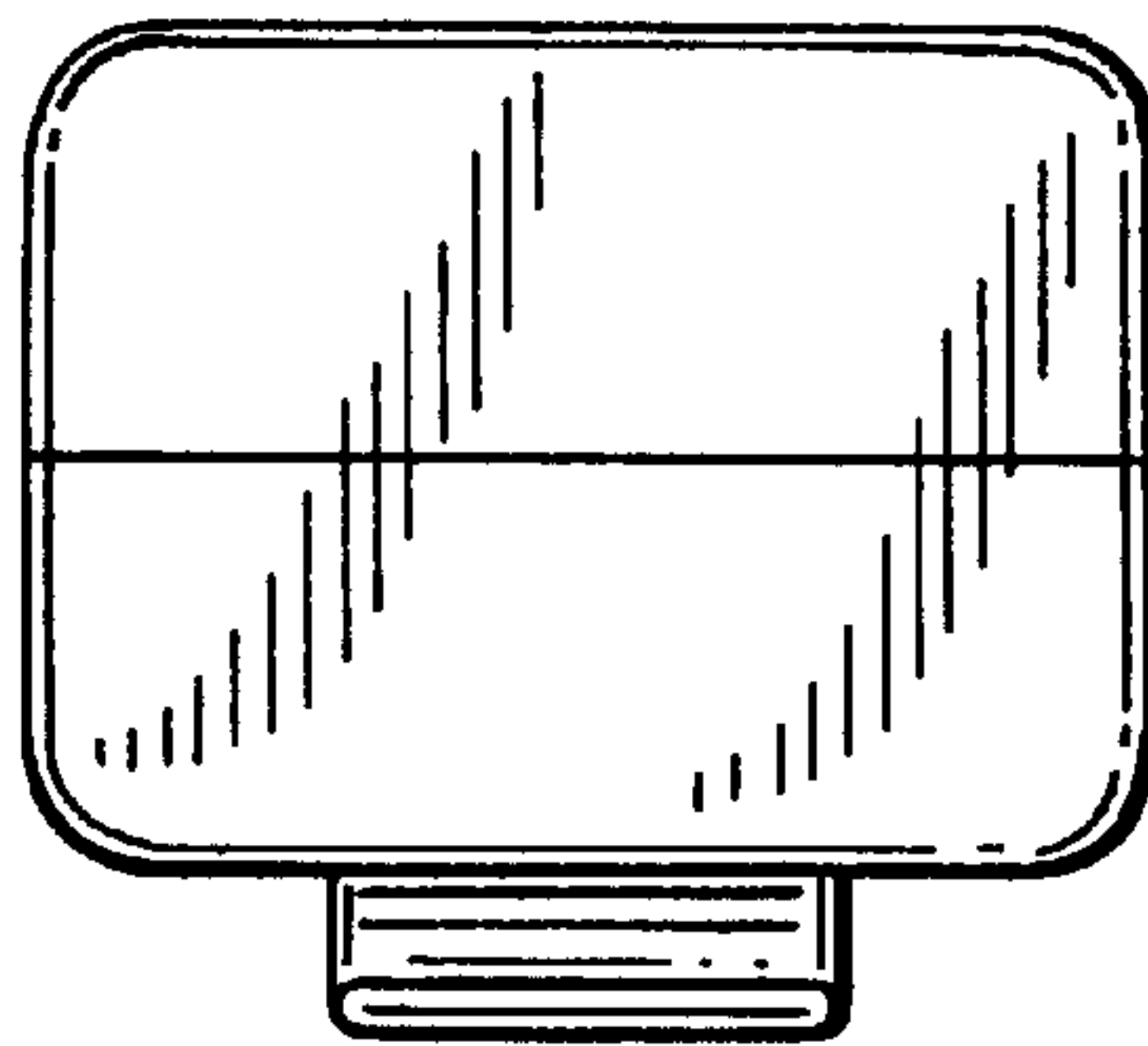


FIG. 5

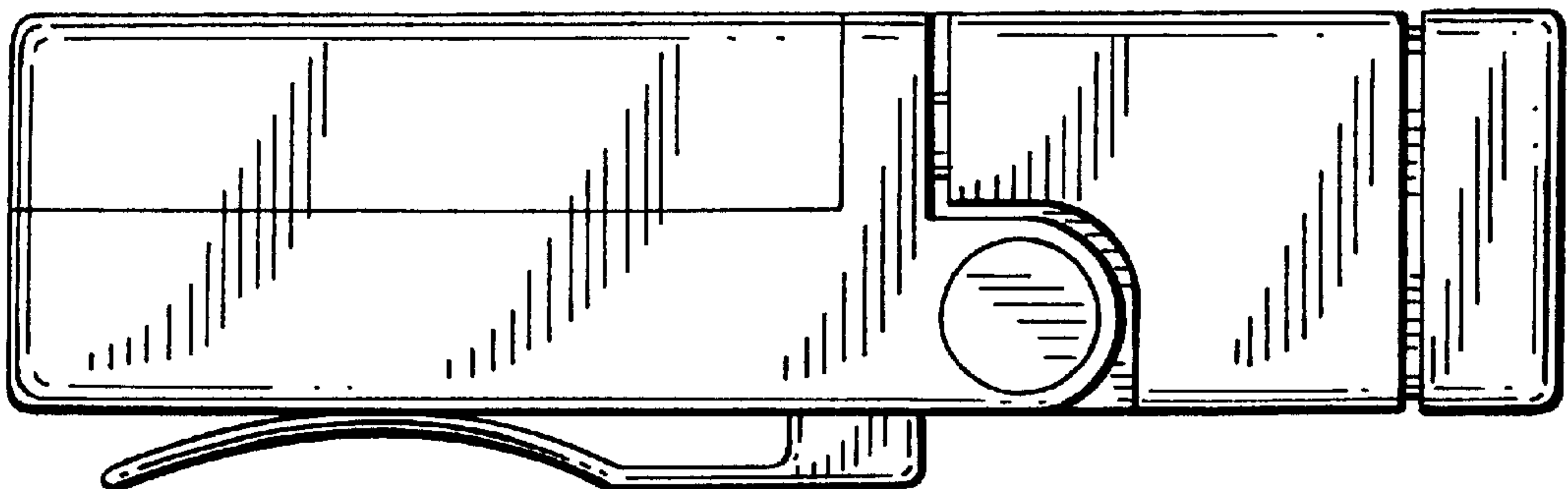


FIG. 6

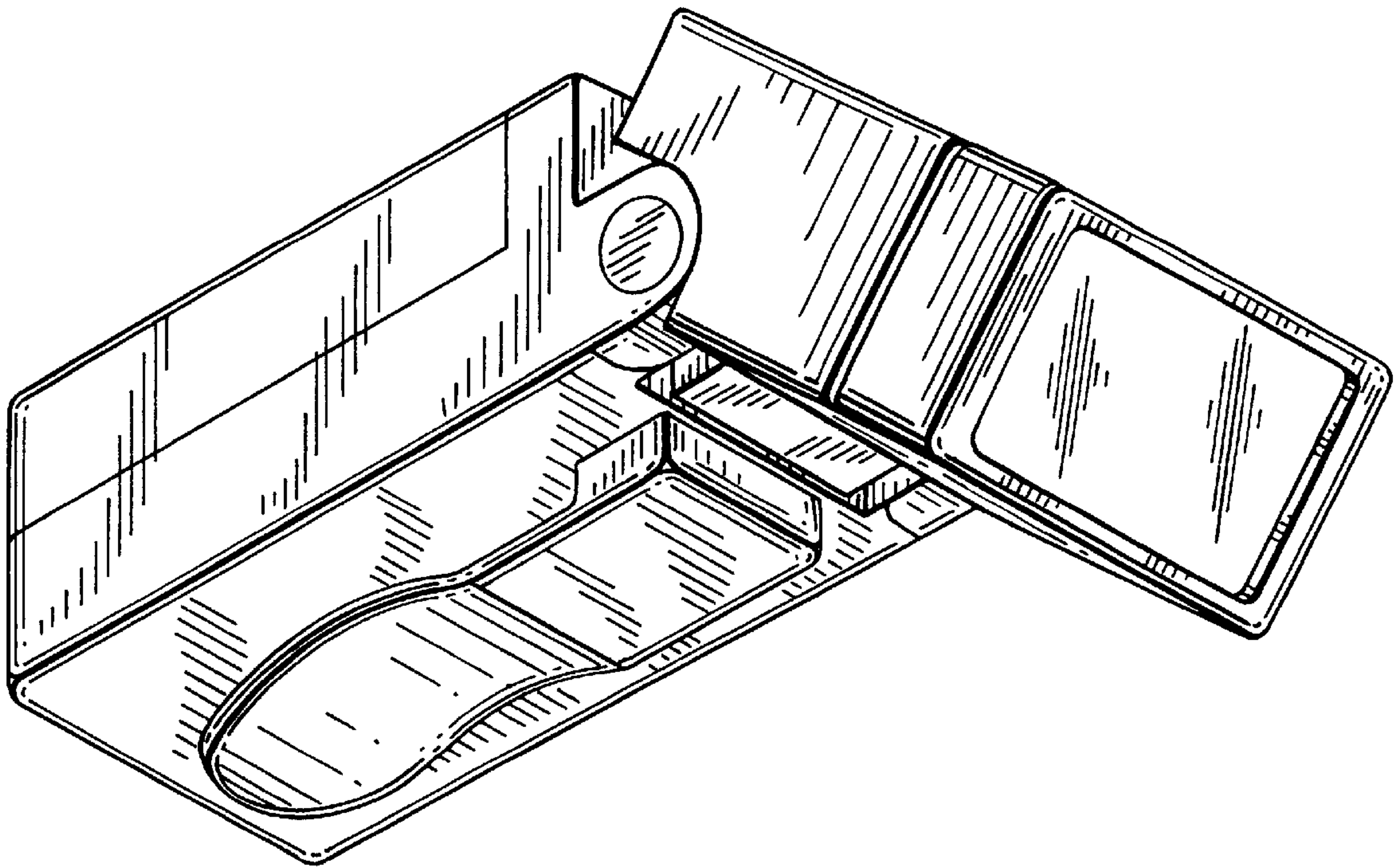


FIG. 7