



US00D425640S

United States Patent [19]

Yuen

[11] Patent Number: **Des. 425,640**

[45] Date of Patent: **** May 23, 2000**

[54] **COMBINED FLUORESCENT LANTERN AND RADIO**

D. 378,818 4/1997 Yuen D26/38
D. 410,099 5/1999 Lam D26/38

[75] Inventor: **John Se-Kit Yuen**, Kowloon, The Hong Kong Special Administrative Region of the People's Republic of China

Primary Examiner—Marcus A. Jackson
Attorney, Agent, or Firm—Beall Law Offices

[73] Assignee: **John Manufacturing Limited**, Kowloon, The Hong Kong Special Administrative Region of the People's Republic of China

[57] **CLAIM**

The ornamental design for a “combined fluorescent lantern and radio,” as shown and described.

[**] Term: **14 Years**

DESCRIPTION

[21] Appl. No.: **29/103,241**

FIG. 1 is a left side elevational view showing my new design;

[22] Filed: **Apr. 12, 1999**

FIG. 2 is a front elevational view thereof;

[30] **Foreign Application Priority Data**

Oct. 14, 1998 [GB] United Kingdom 2 078 422

FIG. 3 is a right side elevational view thereof;

[51] **LOC (7) Cl.** **26-02**

FIG. 4 is a rear elevational view thereof;

[52] **U.S. Cl.** **D26/38**

FIG. 5 is a top plan view thereof;

[58] **Field of Search** D26/37-50; 362/157, 362/158, 183-208

FIG. 6 is a bottom plan view thereof;

FIG. 7 is a right side elevational view showing the fluorescent light in alternative positions thereof; and,

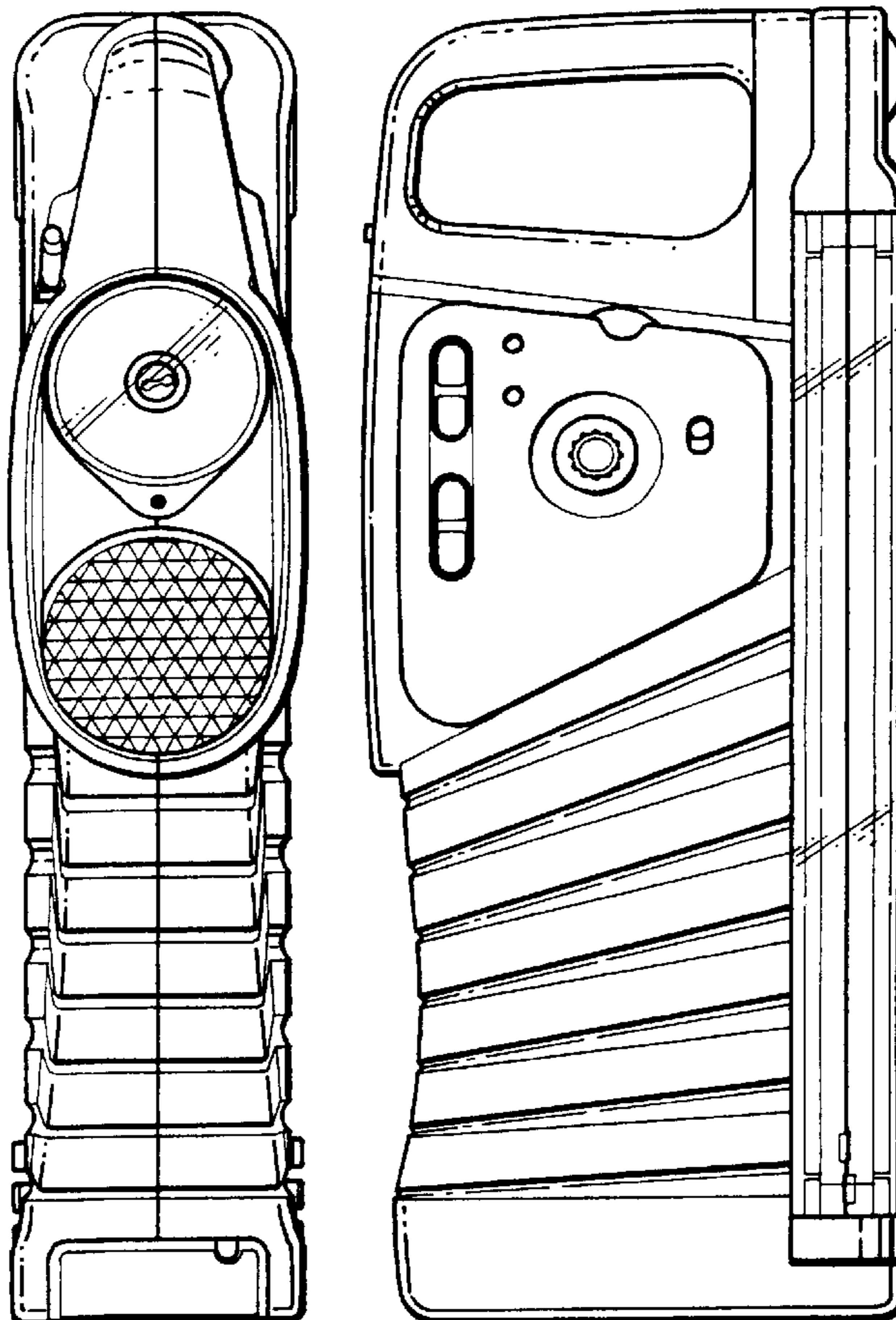
FIG. 8 is a front elevational view showing the lens in an alternative position thereof.

[56] **References Cited**

U.S. PATENT DOCUMENTS

D. 376,663 12/1996 Yuen D26/38

1 Claim, 3 Drawing Sheets



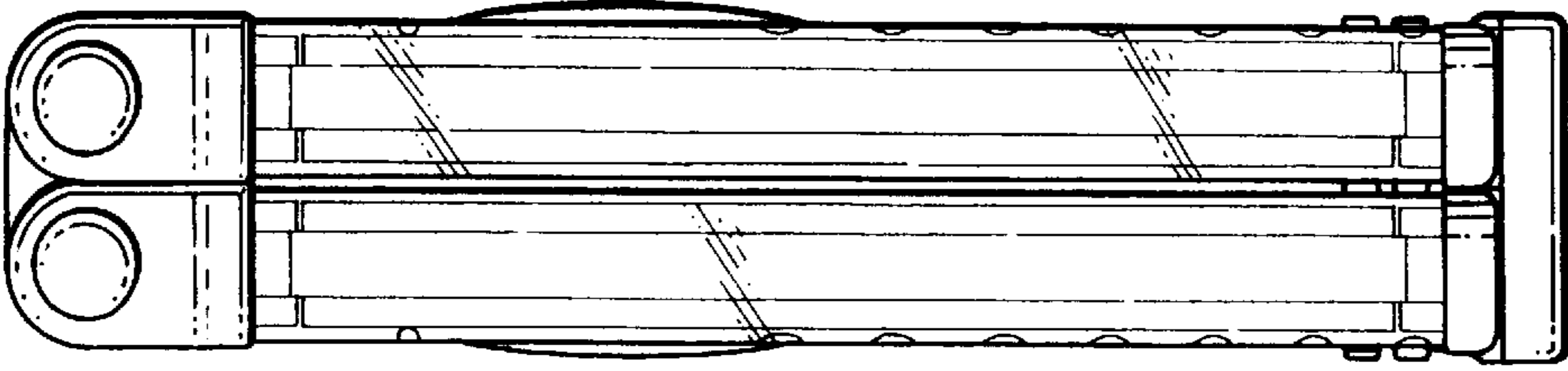


FIG. 3

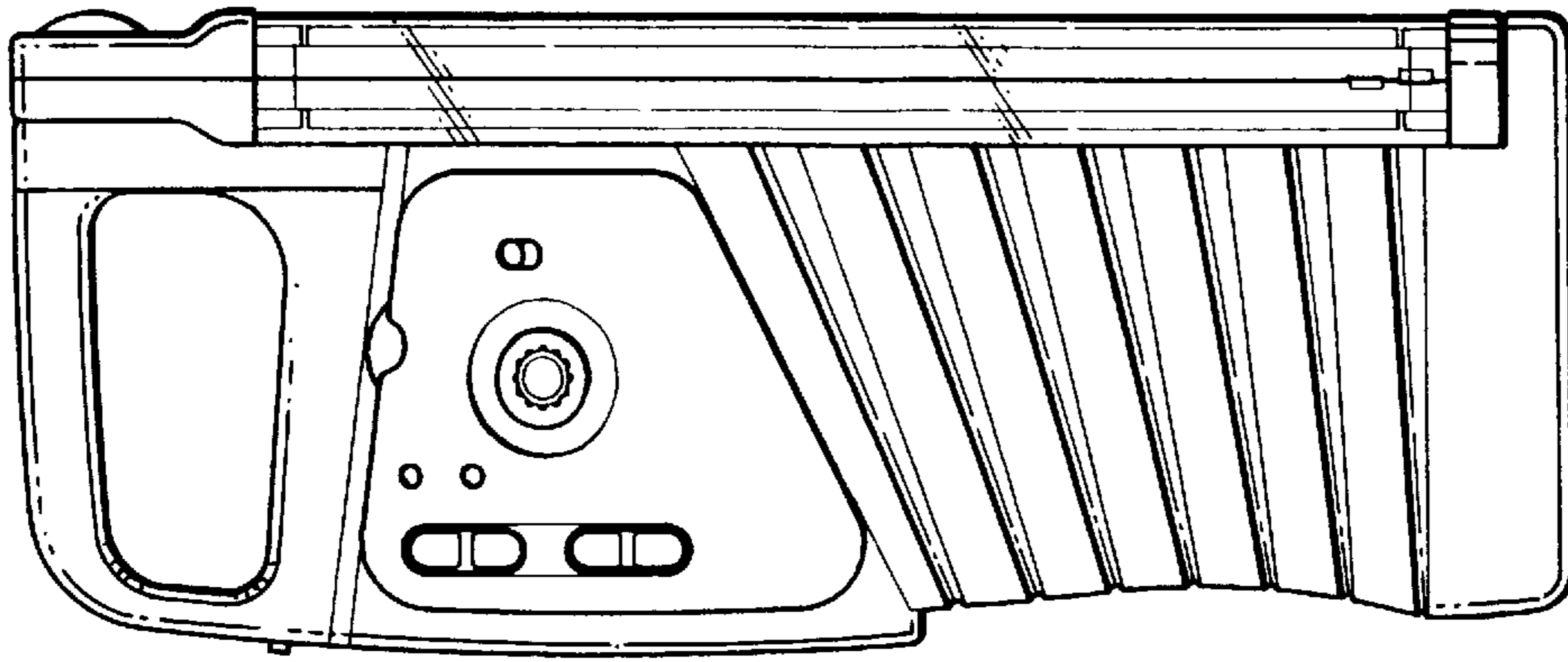


FIG. 2

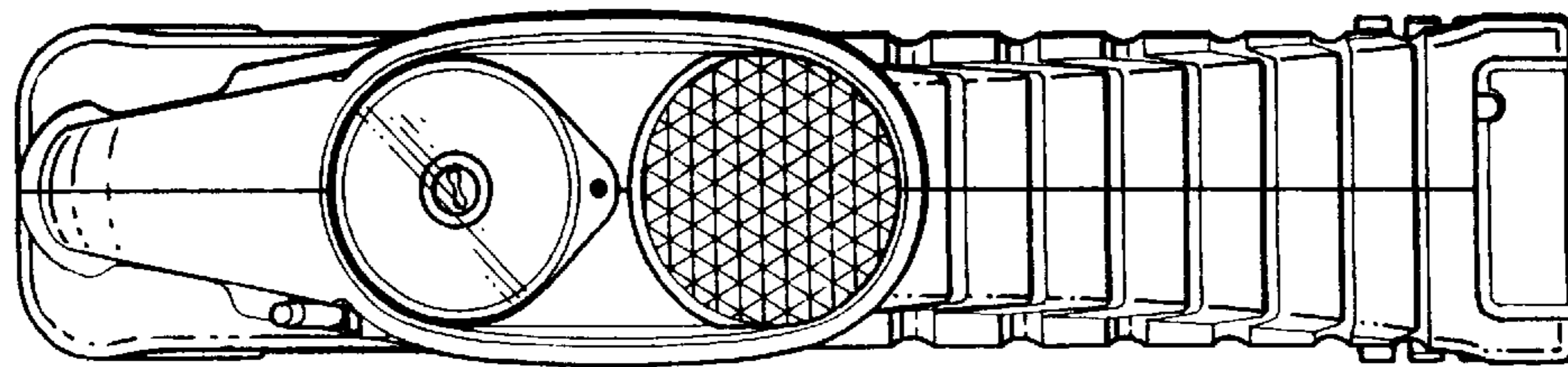


FIG. 1

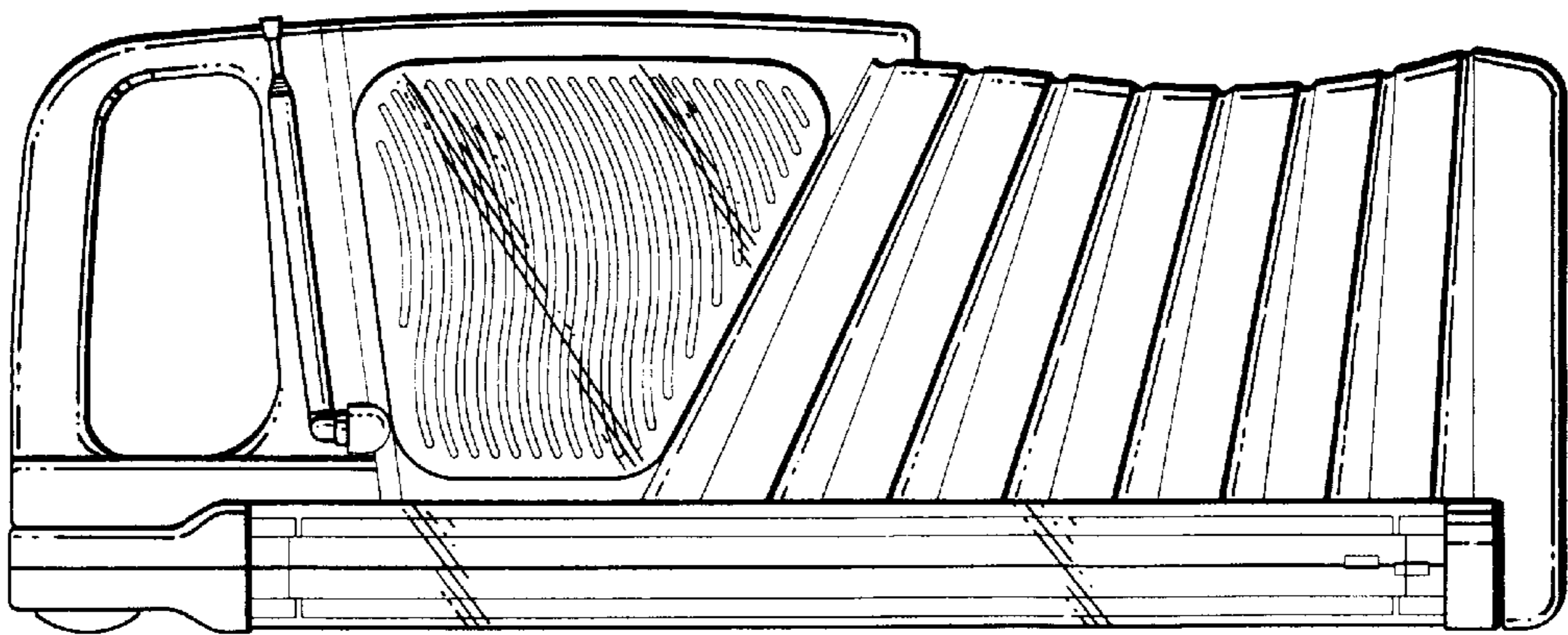


FIG. 4

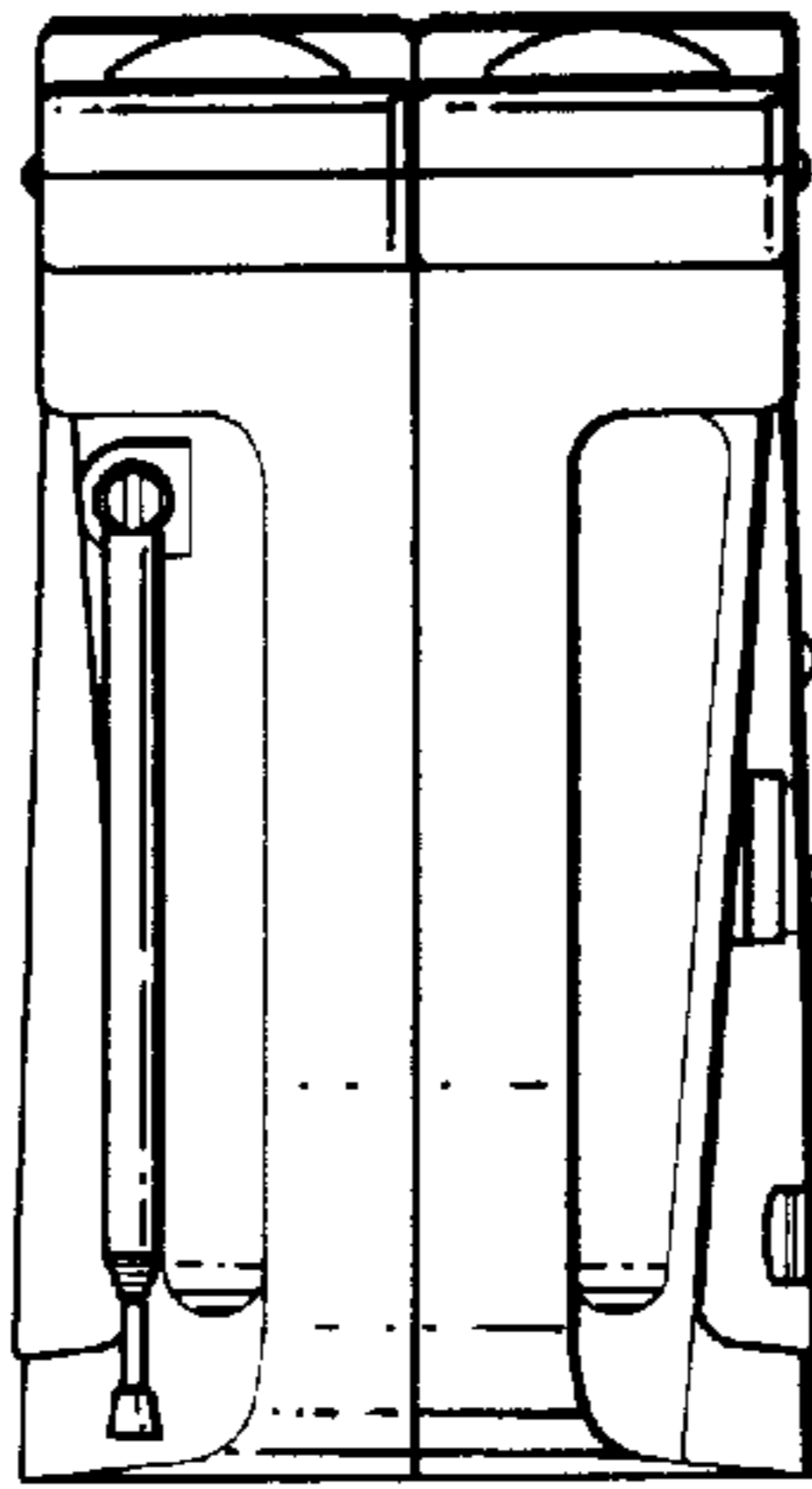


FIG. 5

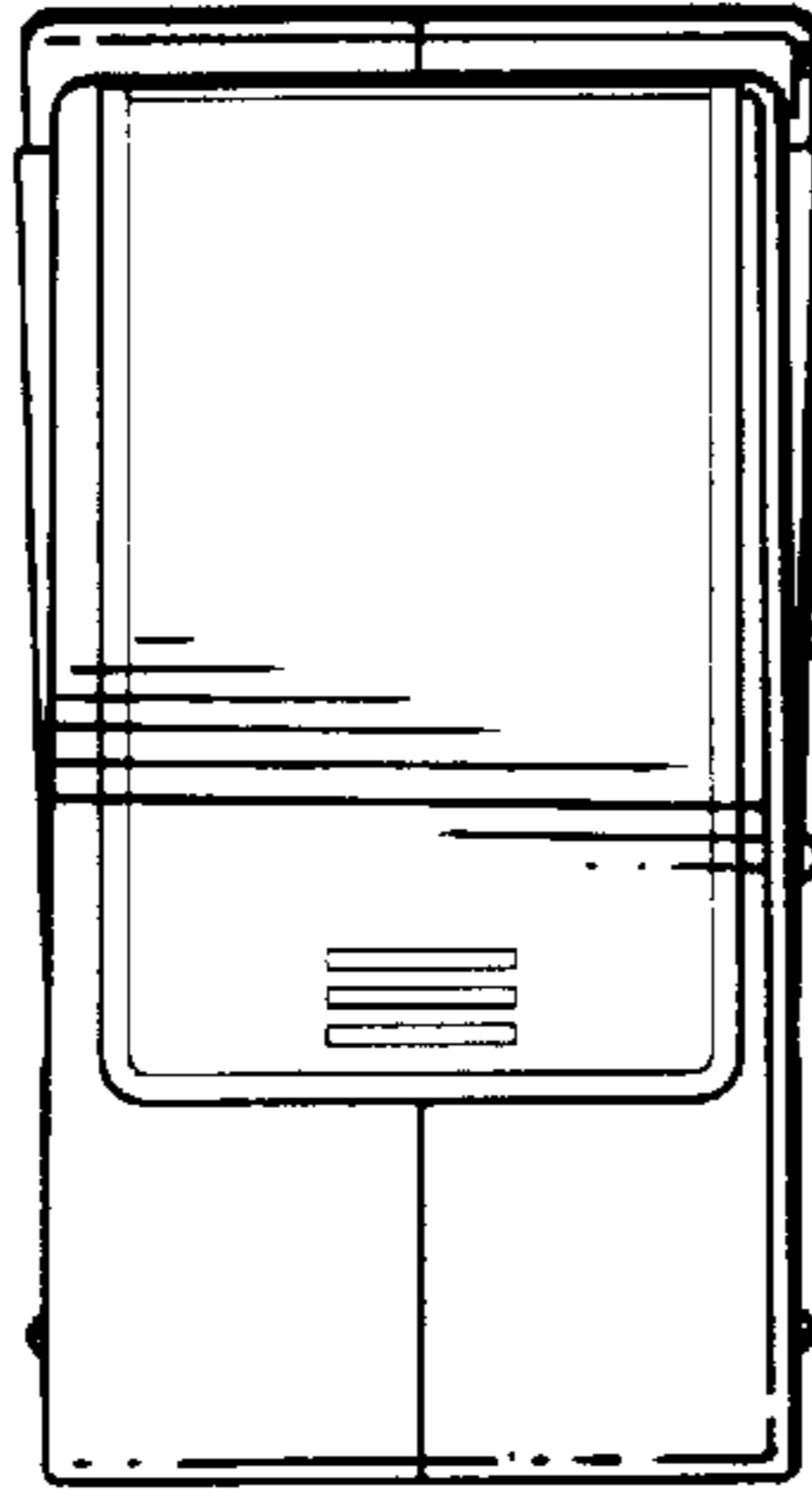


FIG. 6

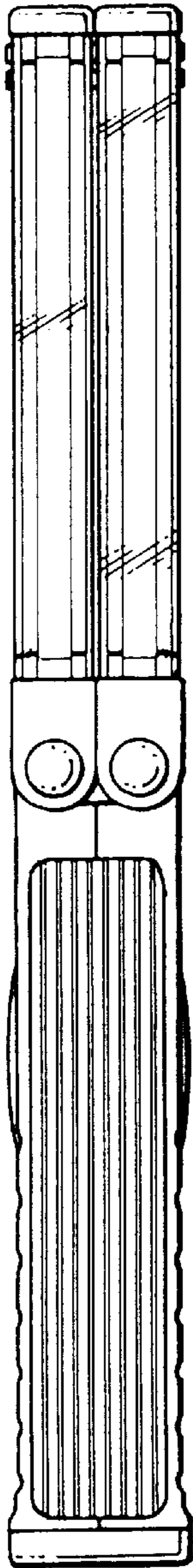


FIG. 7

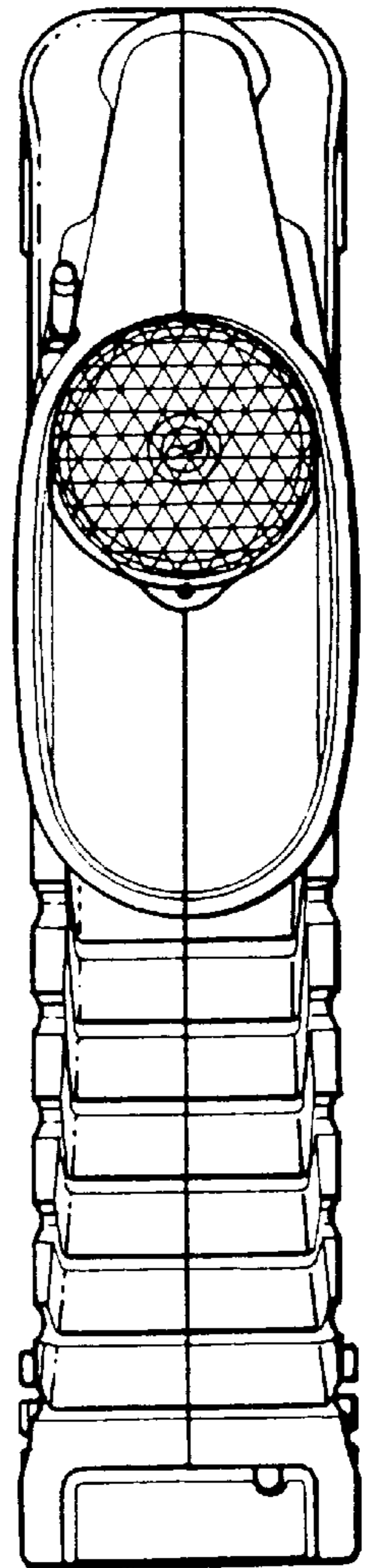


FIG. 8