



US00D425634S

# United States Patent [19]

Kato et al.

[11] Patent Number: **Des. 425,634**

[45] Date of Patent: **\*\* May 23, 2000**

[54] **SELF-BALLASTED COMPACT  
FLUORESCENT LAMPS**

D. 321,404 11/1991 Falini ..... D26/2  
D. 373,644 9/1996 Struhs ..... D26/2

[75] Inventors: **Masayoshi Kato; Takeshi Matsumura;  
Shiro Iida**, all of Osaka, Japan

### FOREIGN PATENT DOCUMENTS

999297 12/1997 Japan .  
2062441 1/1997 United Kingdom .

[73] Assignee: **Matsushita Electronics Corporation**,  
Japan

*Primary Examiner*—Marcus A. Jackson  
*Attorney, Agent, or Firm*—Saidman DesignLaw Group

[\*\*] Term: **14 Years**

### [57] CLAIM

[21] Appl. No.: **29/113,587**

The ornamental design for a self-ballasted compact fluores-  
cent lamps, as shown and described.

[22] Filed: **Nov. 8, 1999**

### DESCRIPTION

[51] **LOC (7) Cl.** ..... **26-04**

[52] **U.S. Cl.** ..... **D26/2**

[58] **Field of Search** ..... D26/1, 2, 3, 4;  
313/110, 112, 113, 116, 128, 129, 130,  
131, 315, 318, 493; 315/56, 57, 58

FIG. 1 is a perspective view of the top, front and right side  
of a self-ballasted compact fluorescent lamps showing our  
new design;

FIG. 2 is a front view thereof;

FIG. 3 is a right side view thereof;

FIG. 4 is a top plan view thereof; and,

FIG. 5 is a bottom view thereof.

### [56] References Cited

#### U.S. PATENT DOCUMENTS

D. 245,110 7/1977 Moriyama ..... D26/2

**1 Claim, 1 Drawing Sheet**

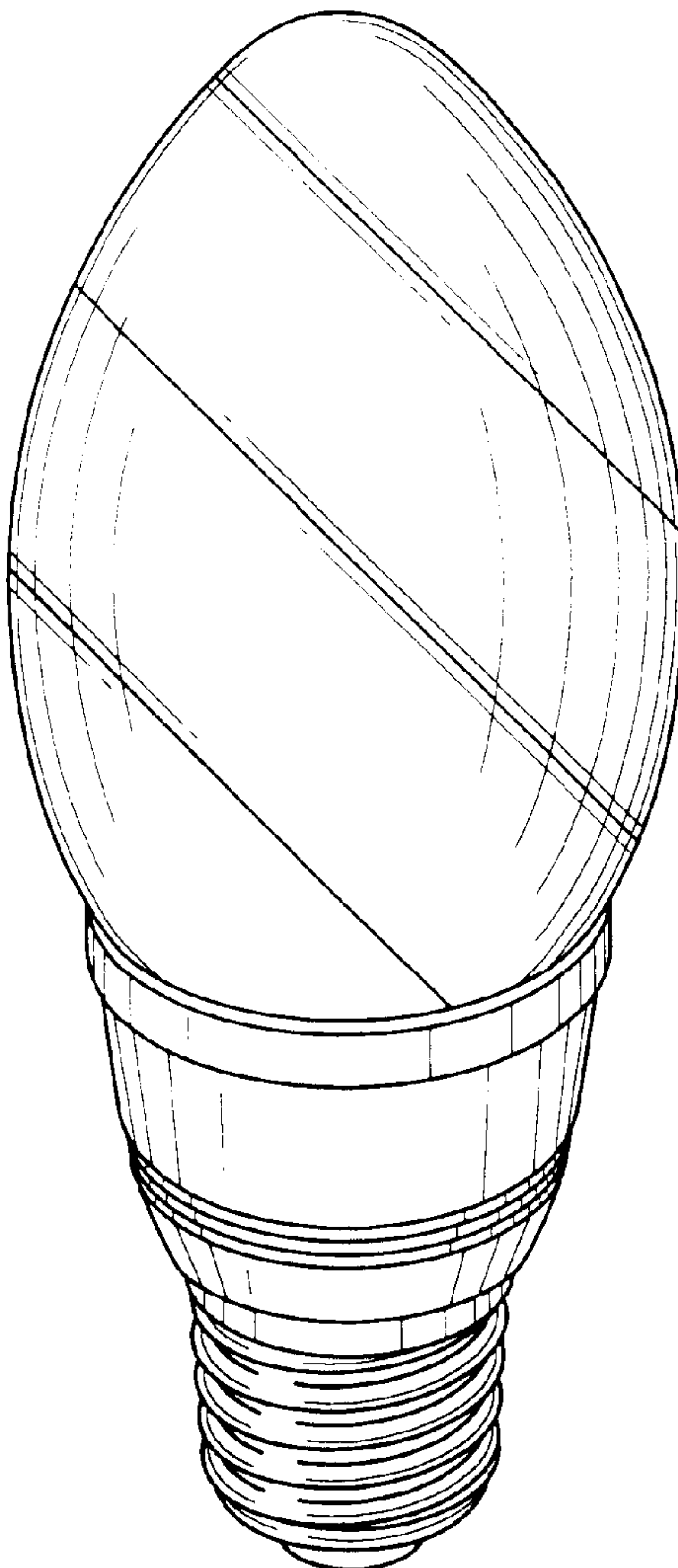


FIG. 1

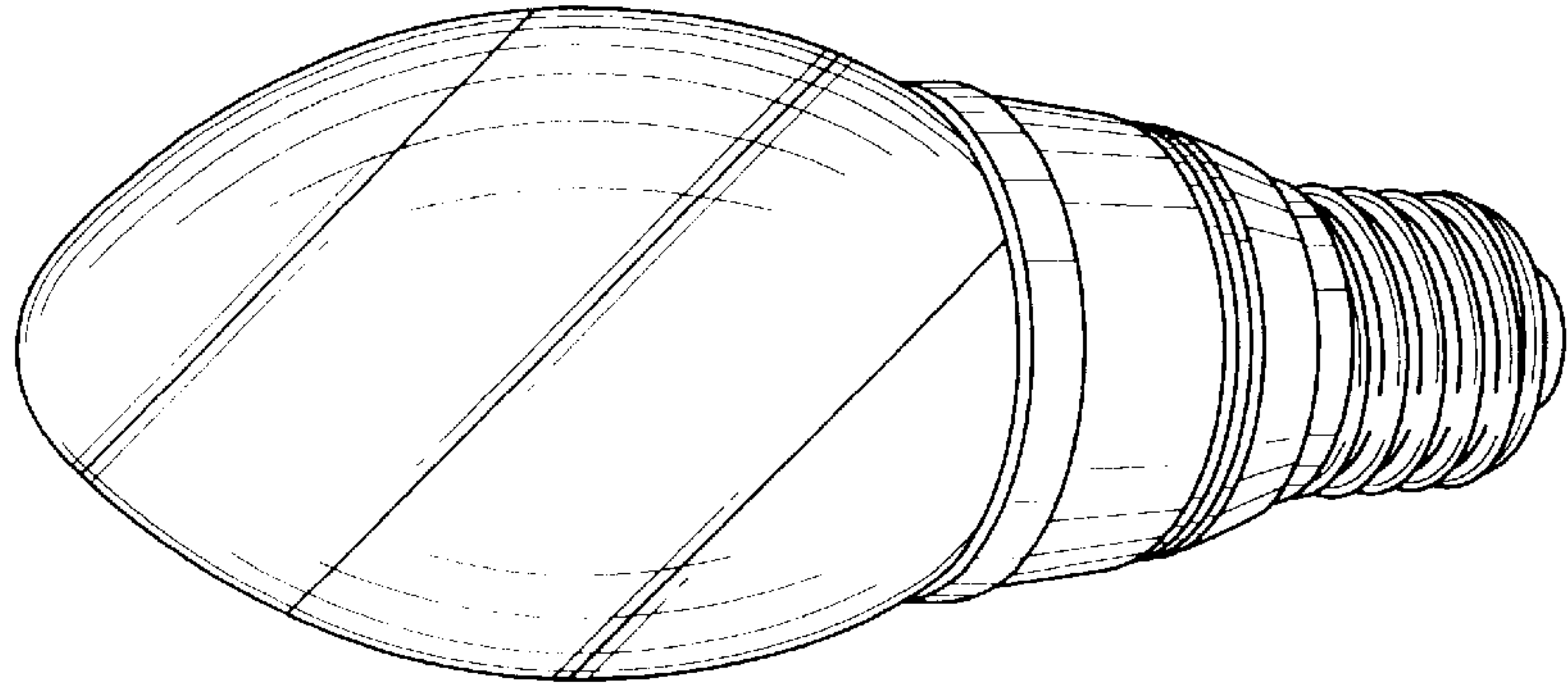


FIG. 2

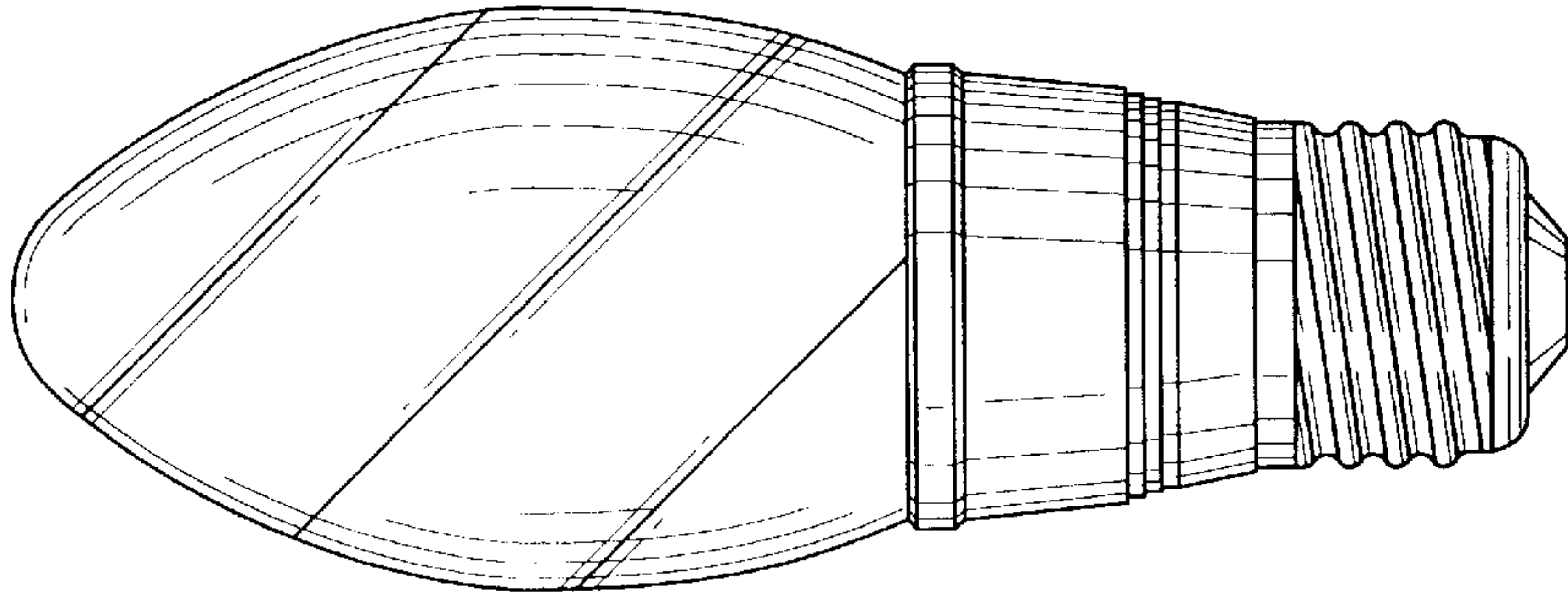


FIG. 3

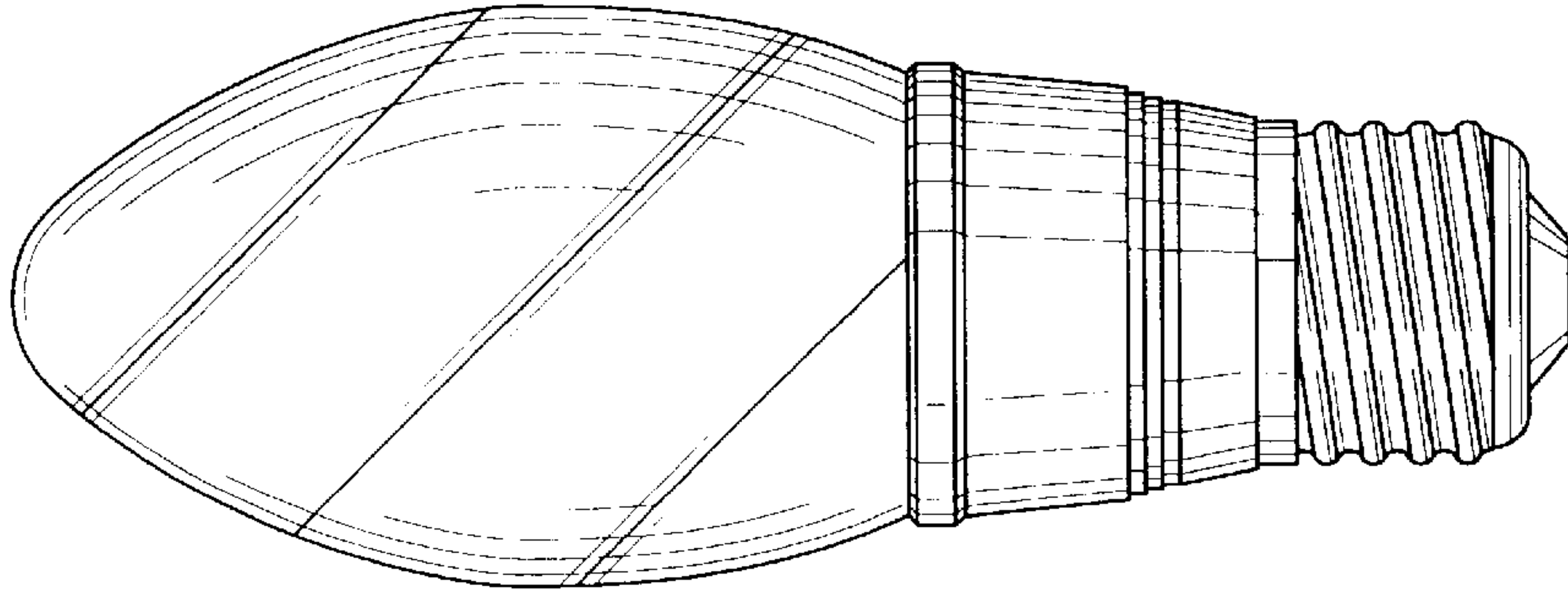


FIG. 4

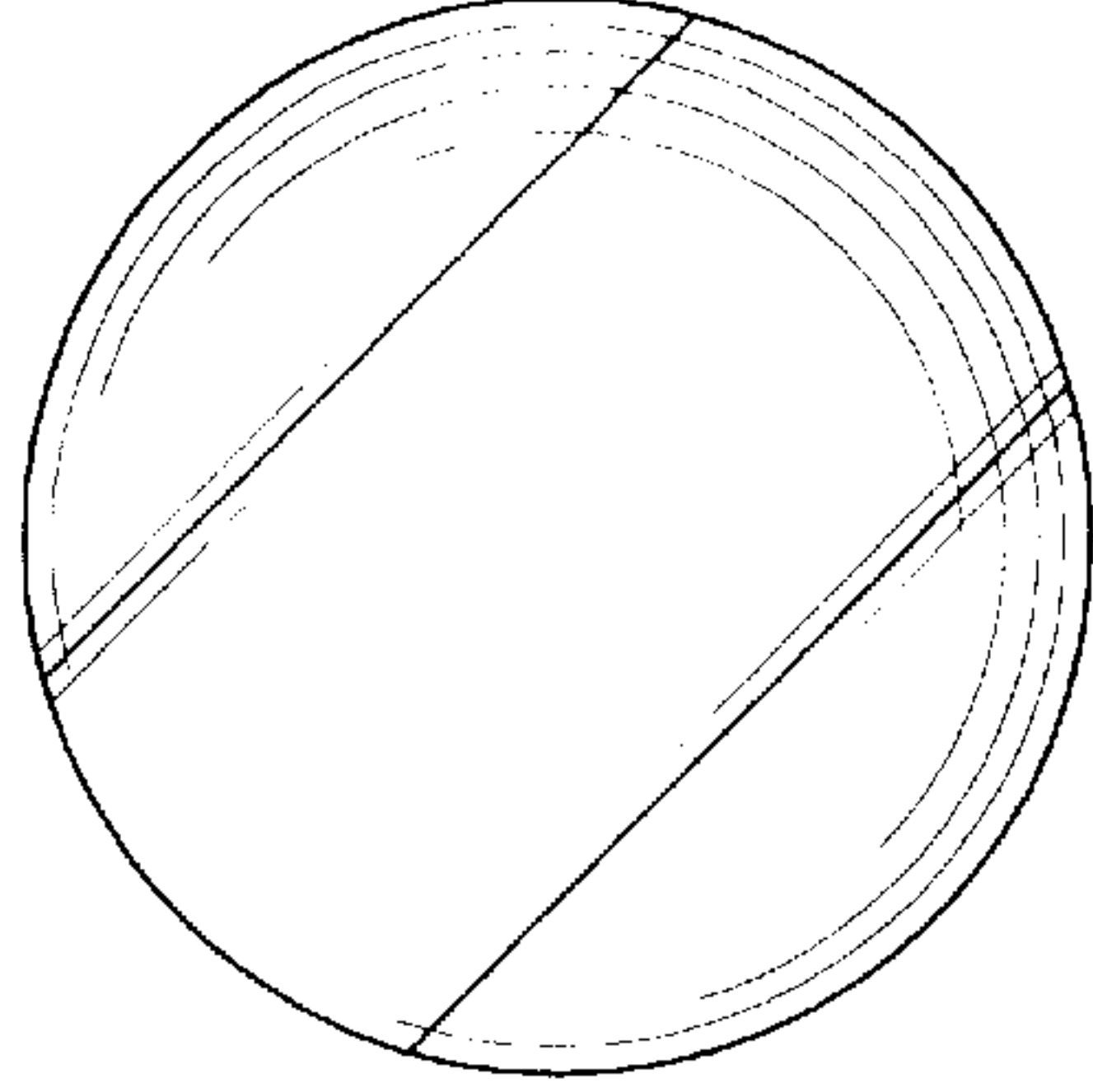


FIG. 5

