



US00D425632S

United States Patent [19]

Franson et al.

[11] **Patent Number: Des. 425,632**

[45] **Date of Patent: ** May 23, 2000**

[54] **WINDOW COMPONENT EXTRUSION**

[75] Inventors: **Jeffrey R. Franson**, Maple Valley, Wash.; **Lorane Goss**, Slippery Rock, Pa.

[73] Assignee: **Mikron Industries, Inc.**, Kent, Wash.

[**] Term: **14 Years**

[21] Appl. No.: **29/103,944**

[22] Filed: **Apr. 22, 1999**

Related U.S. Application Data

[62] Division of application No. 29/084,209, Feb. 26, 1998.

[51] **LOC (7) Cl.** **25-01**

[52] **U.S. Cl.** **D25/124**

[58] **Field of Search** D25/52, 60, 119-125; 49/DIG. 2, 504-505, 405, 413, 419, 408, 407; 52/204.56, 204.51, 730.3, 205.1, 202

[56] References Cited

U.S. PATENT DOCUMENTS

D. 381,094 7/1997 DiGiorgio D25/124

OTHER PUBLICATIONS

Robert Jarrell, Mikron Part No. 7144, First sold Feb. 19, 1996.

Robert Jarrell, Mikron Part No. 7148, First sold Feb. 19, 1996.

Teresa A. Oliver, Mikron Part No. 7204, First sold Oct. 13, 1995.

Teresa A. Oliver, Mikron Part No. 7206, First sold Oct. 13, 1995.

Teresa A. Oliver, Mikron Part No. 7207, First sold Oct. 13, 1995.

Teresa A. Oliver, Mikron Part No. 7225, First drawn Jul. 14, 1995.

Primary Examiner—Doris Clark
Attorney, Agent, or Firm—Richardson & Folise

[57] CLAIM

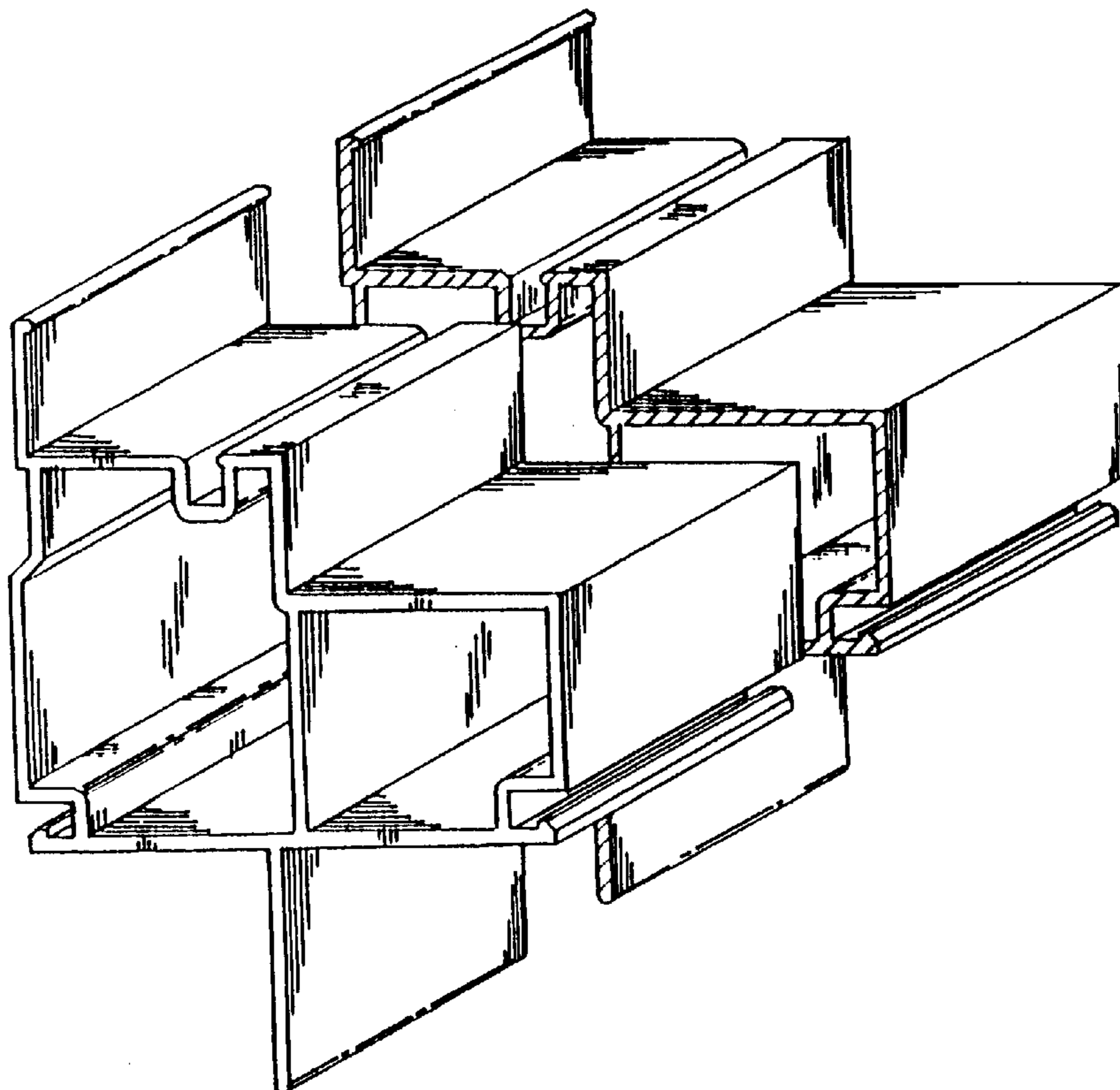
The ornamental design for a window component extrusion, as shown and described.

DESCRIPTION

FIG. 1 is a top right perspective view of the window component extrusion which is broken in the center indicating indefinite length; and,

FIG. 2 is a bottom left perspective view of the window component extrusion shown in FIG. 1.

1 Claim, 1 Drawing Sheet



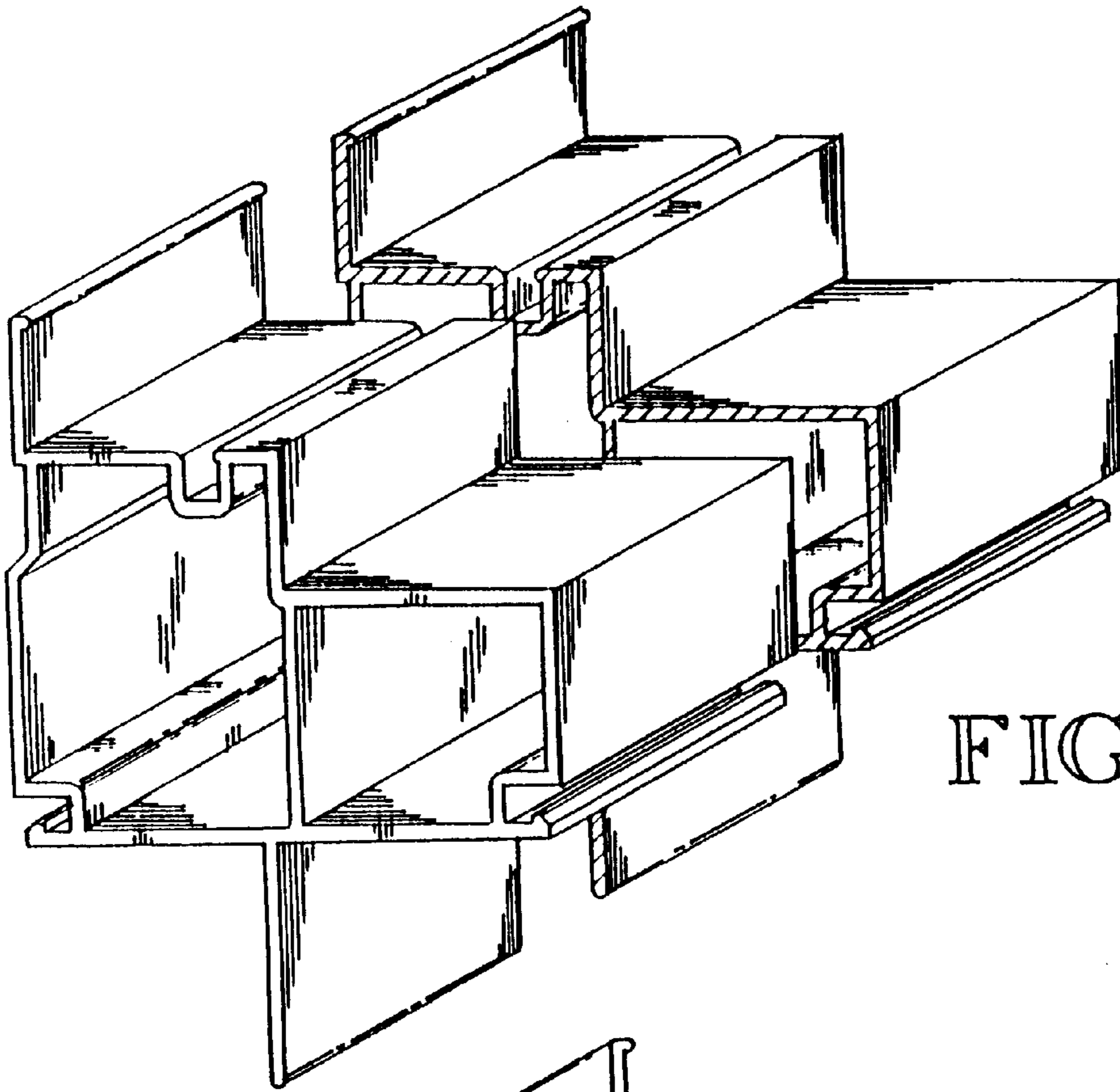


FIG. 1

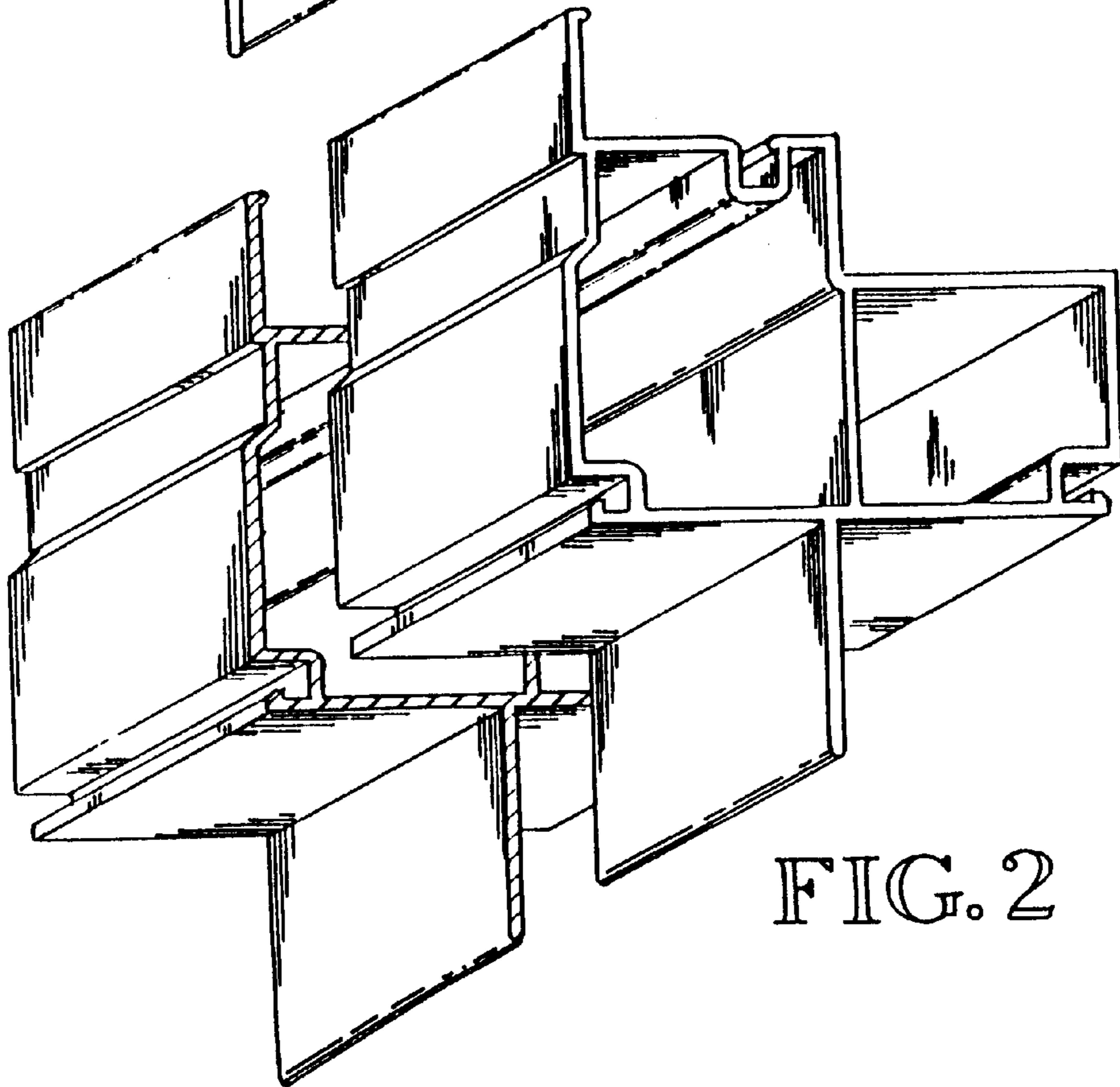


FIG. 2

UNITED STATES PATENT AND TRADEMARK OFFICE
CERTIFICATE OF CORRECTION

PATENT NO. : Des. 425,632
DATED : May 23, 2000
INVENTOR(S) : Franson et al.

Page 1 of 3

It is certified that error appears in the above-identified patent and that said Letters Patent is hereby corrected as shown below:

Title page

Showing the illustrative figure should be deleted and substitute therefore the attached title page.

The sheet of drawings, consisting of figures 1 & 2 should be deleted and substitute therefor the corrected figures 1 & 2 as shown on the attached page.

Signed and Sealed this

Fourth Day of September, 2001

Nicholas P. Godici

Attest:

Attesting Officer

NICHOLAS P. GODICI

Acting Director of the United States Patent and Trademark Office

United States Patent [19]

Franson et al.

[11] **Patent Number: Des. 425,632**

[45] **Date of Patent: ** May 23, 2000**

[54] **WINDOW COMPONENT EXTRUSION**

[75] **Inventors: Jeffrey R. Franson, Maple Valley, Wash.; Lorane Goss, Slippery Rock, Pa.**

[73] **Assignee: Mikron Industries, Inc., Kent, Wash.**

[**] **Term: 14 Years**

[21] **Appl. No.: 29/103,944**

[22] **Filed: Apr. 22, 1999**

Related U.S. Application Data

[62] **Division of application No. 29/084,209, Feb. 26, 1998.**

[51] **LOC (7) CL 25-01**

[52] **U.S. CL D25/124**

[58] **Field of Search D25/52, 60, 119-125; 49/DIG. 2, 504-505, 405, 413, 419, 408, 407; 52/204.56, 204.51, 730.3, 205.1, 202**

[56] **References Cited**

U.S. PATENT DOCUMENTS

D. 381,094 7/1997 DiGiorgio D25/124

OTHER PUBLICATIONS

Robert Jarrell, Mikron Part No. 7144, First sold Feb. 19, 1996.

Robert Jarrell, Mikron Part No. 7148, First sold Feb. 19, 1996.

Teresa A. Oliver, Mikron Part No. 7204, First sold Oct. 13, 1995.

Teresa A. Oliver, Mikron Part No. 7206, First sold Oct. 13, 1995.

Teresa A. Oliver, Mikron Part No. 7207, First sold Oct. 13, 1995.

Teresa A. Oliver, Mikron Part No. 7225, First drawn Jul. 14, 1995.

*Primary Examiner—Doris Clark
Attorney, Agent, or Firm—Richardson & Folise*

[57] **CLAIM**

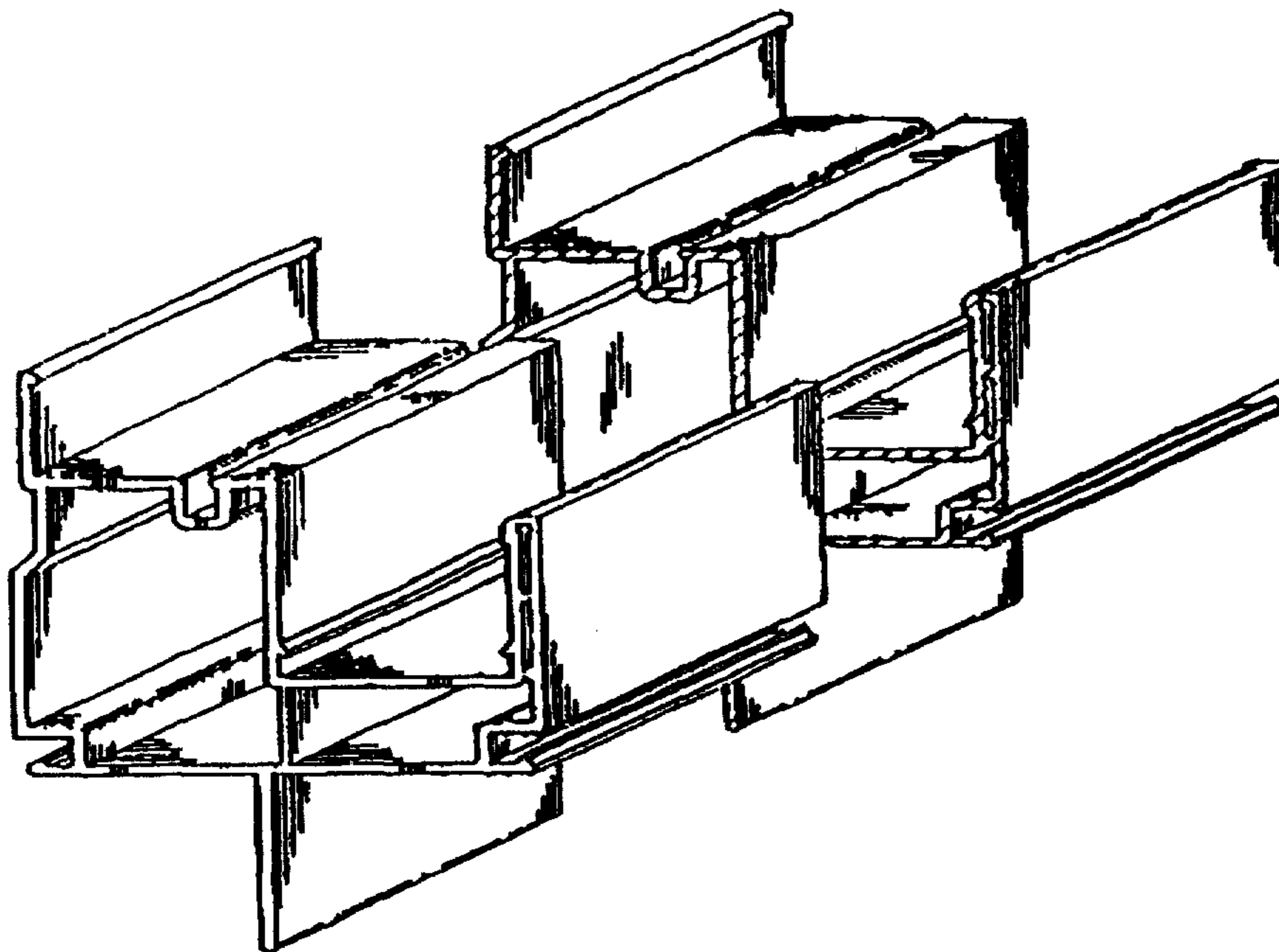
The ornamental design for a window component extrusion, as shown and described.

DESCRIPTION

FIG. 1 is a top right perspective view of the window component extrusion which is broken in the center indicating indefinite length; and,

FIG. 2 is a bottom left perspective view of the window component extrusion shown in FIG. 1.

1 Claim, 1 Drawing Sheet



U.S. Patent

May 23, 2000

Sheet 3 of 3

Des. 425,632

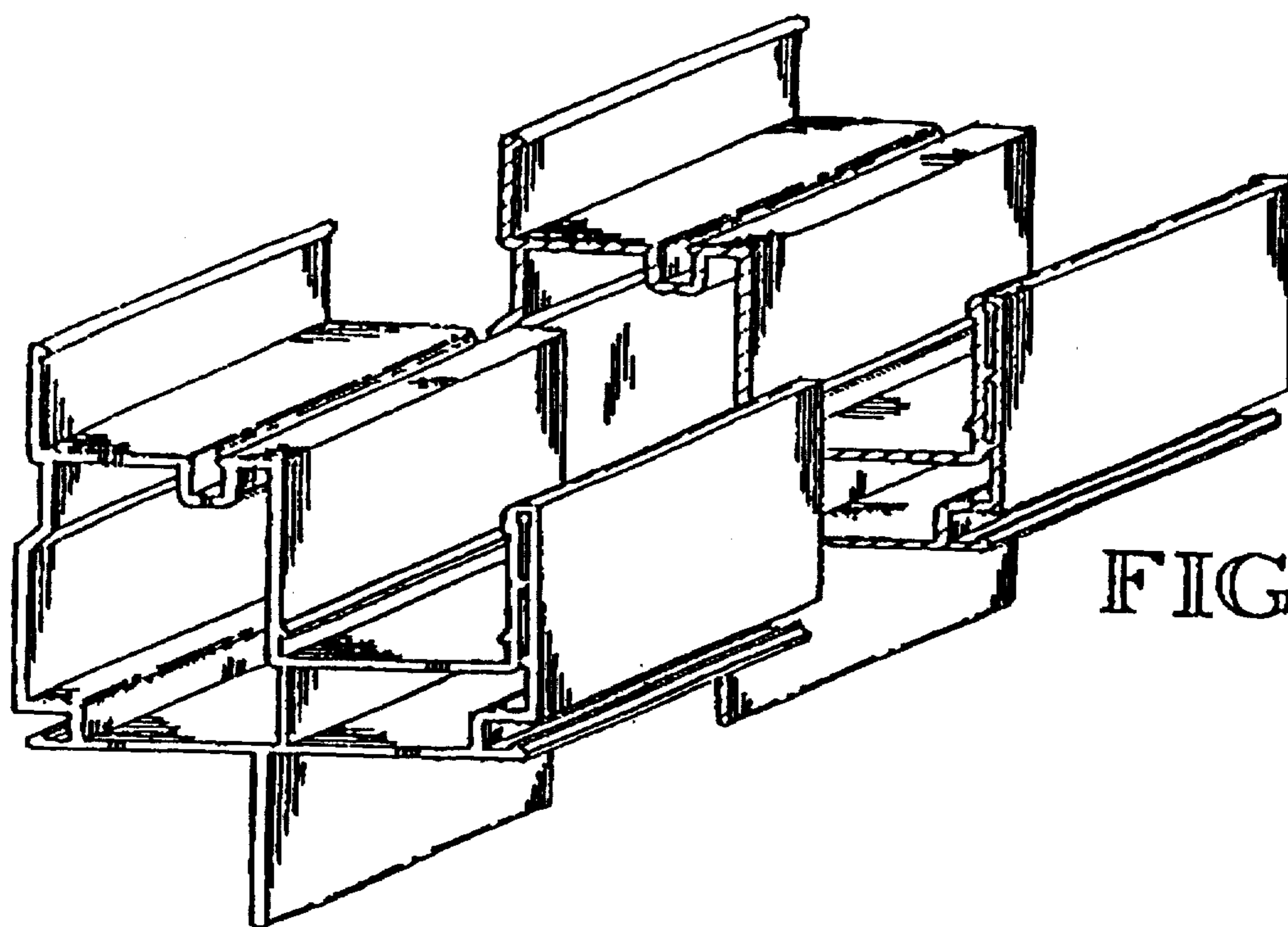


FIG. 1

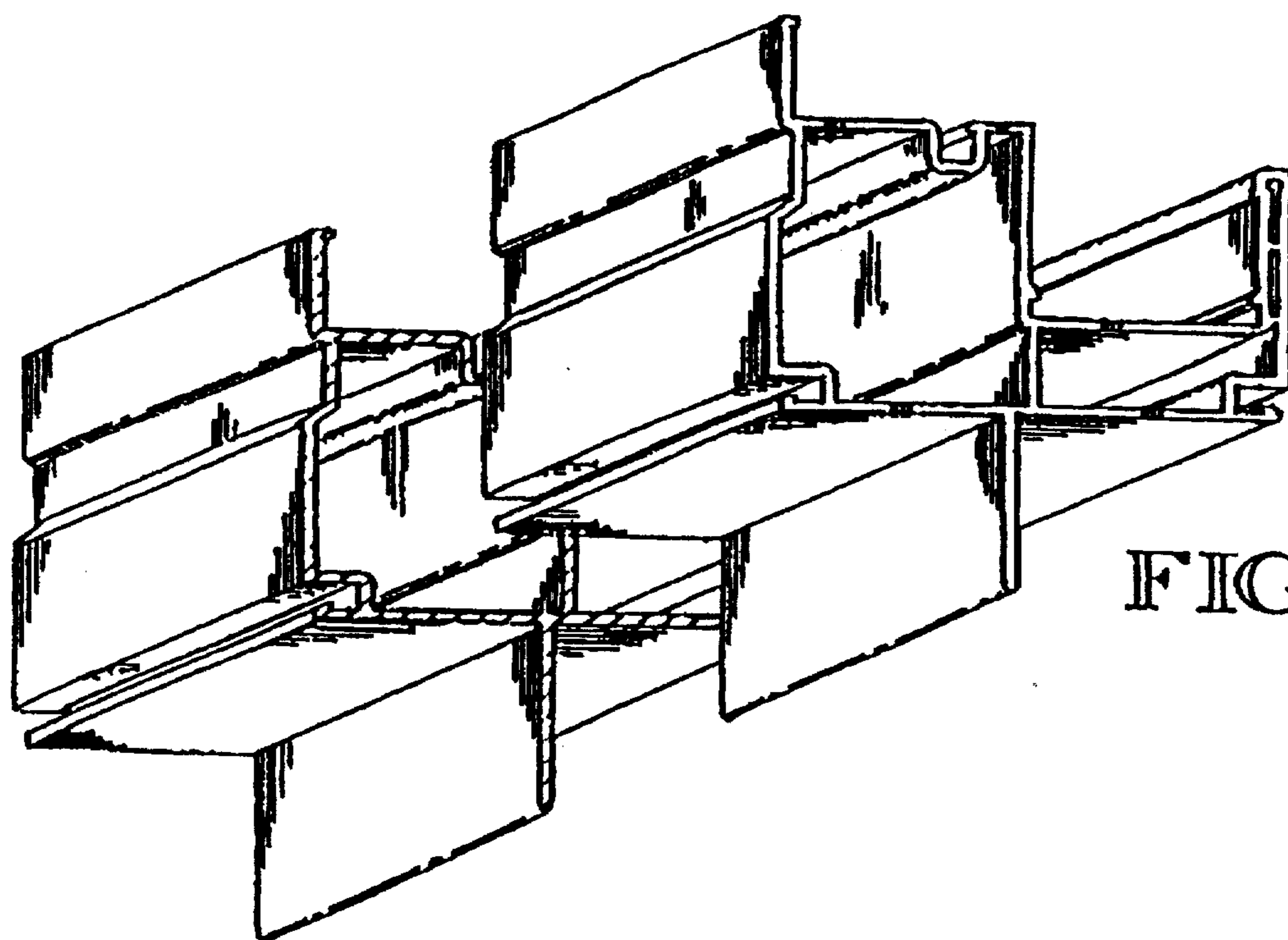


FIG. 2