



US00D425631S

United States Patent [19]
Mohr

[11] **Patent Number: Des. 425,631**

[45] **Date of Patent: ** May 23, 2000**

[54] **REINFORCING ELEMENT**

2,780,936 2/1957 Hillberg 52/698
4,739,601 4/1988 Beine 52/710

[75] Inventor: **Wayne David Mohr**, Ironbark,
Australia

Primary Examiner—Doris Clark
Attorney, Agent, or Firm—Knobbe, Martens, Olson & Bear,
LLP

[73] Assignee: **Industries Services International Pty.,
Ltd.**, Queensland, Australia

[**] Term: **14 Years**

[57] **CLAIM**

The ornamental design for a reinforcing element, as shown
and described.

[21] Appl. No.: **29/094,762**

[22] Filed: **Oct. 8, 1998**

DESCRIPTION

[51] **LOC (7) Cl.** **25-01**

[52] **U.S. Cl.** **D25/121; D25/133**

[58] **Field of Search** 52/152, 146, 166,
52/706, 698, 701, 710, 699, 700, 702-705,
707-709, 711-715; D25/121, 199

FIG. 1 is a front perspective view of the reinforcing element,
the reinforcing element being broken on the rear end to
indicate indefinite length;

FIG. 2 is a rear elevational view thereof;

FIG. 3 is a front perspective view of a second embodiment
of the reinforcing element;

FIG. 4 is a rear elevational view thereof;

FIG. 5 is a front perspective view of a third embodiment of
the reinforcing element; and,

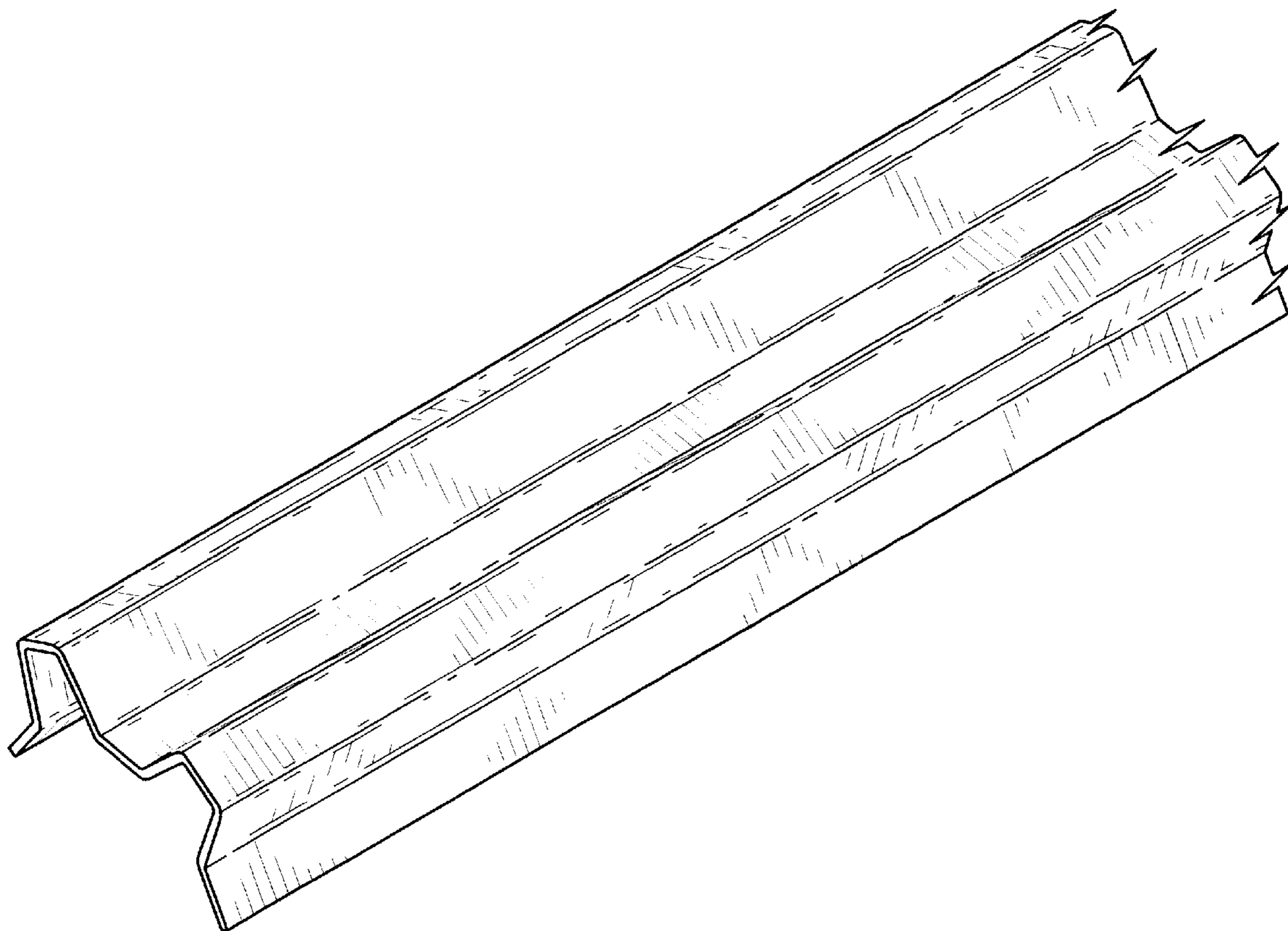
FIG. 6 is a rear elevational view thereof.

[56] **References Cited**

U.S. PATENT DOCUMENTS

D. 380,281 6/1997 Menz D25/121
1,048,941 12/1912 Buskirk 52/698
2,108,107 2/1938 Wess 52/701

1 Claim, 6 Drawing Sheets



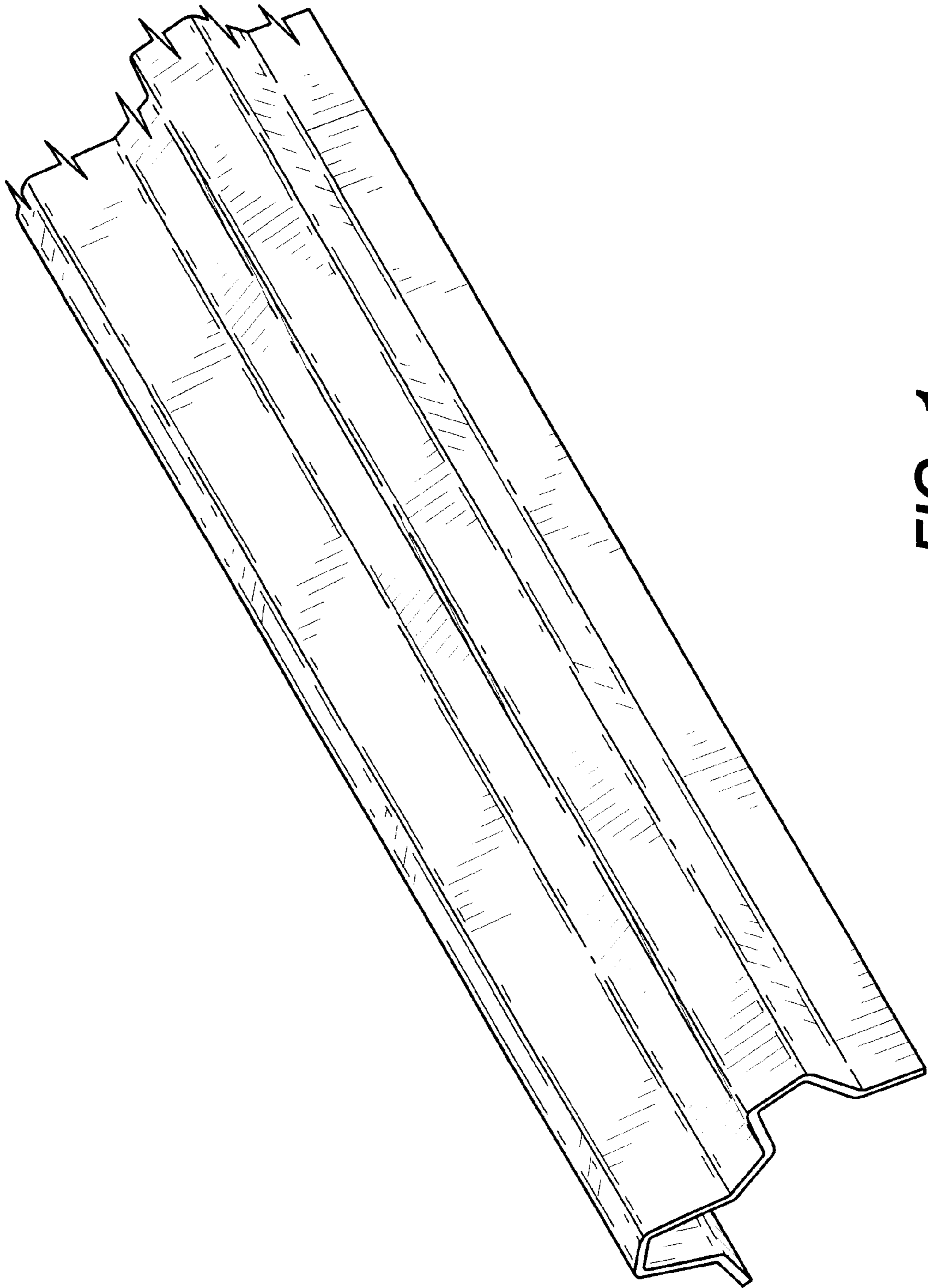


FIG. 1

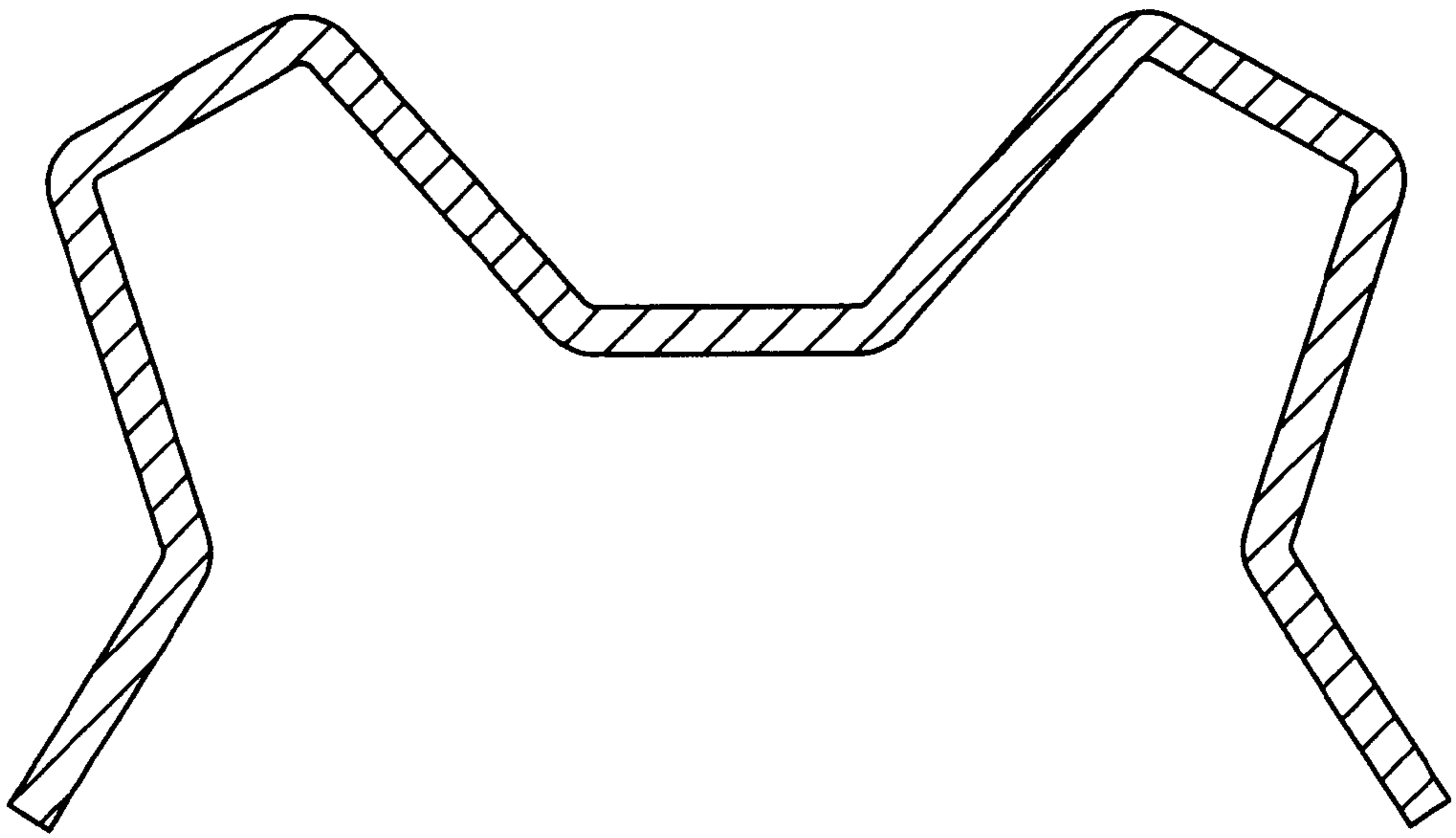


FIG. 2

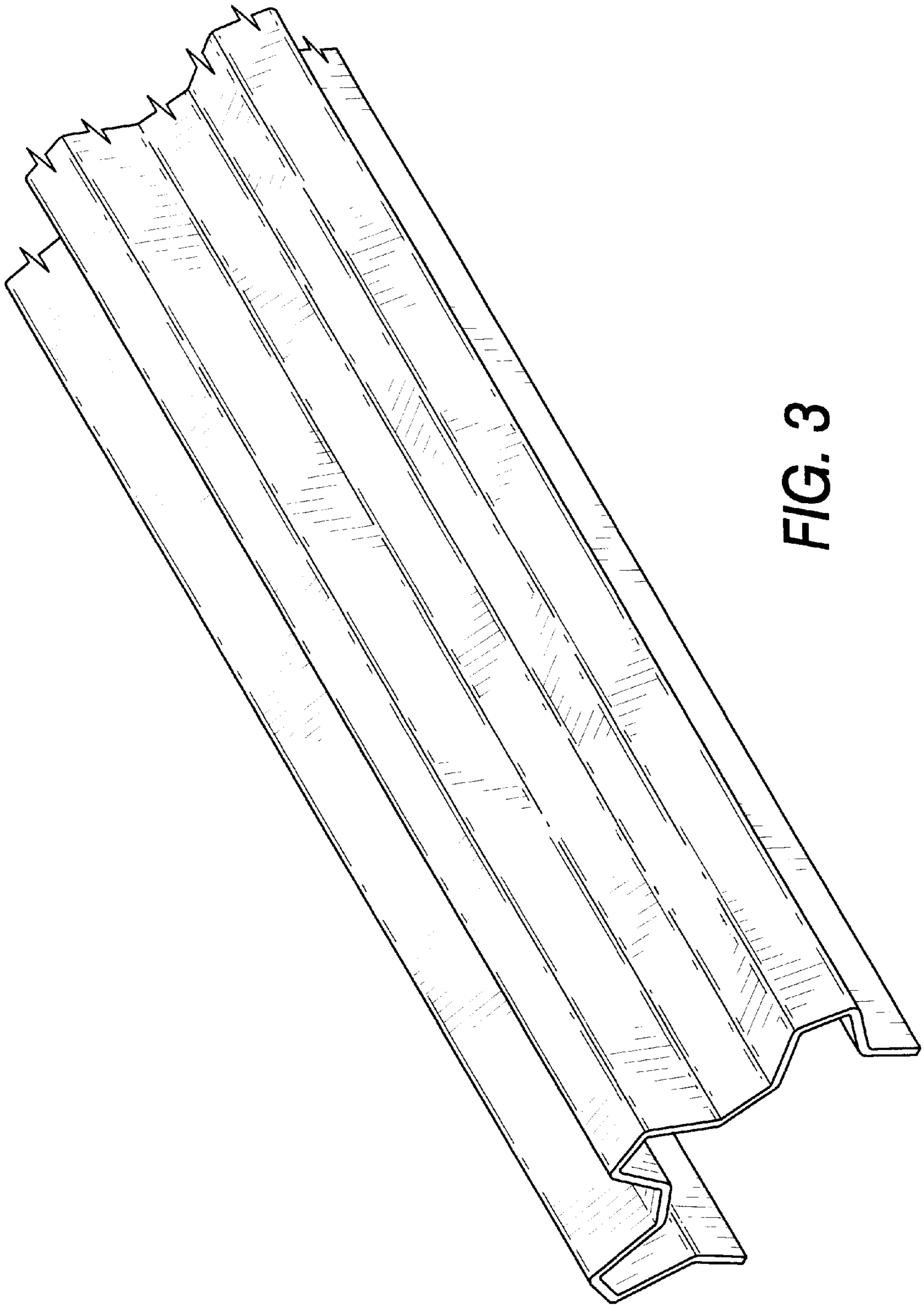


FIG. 3

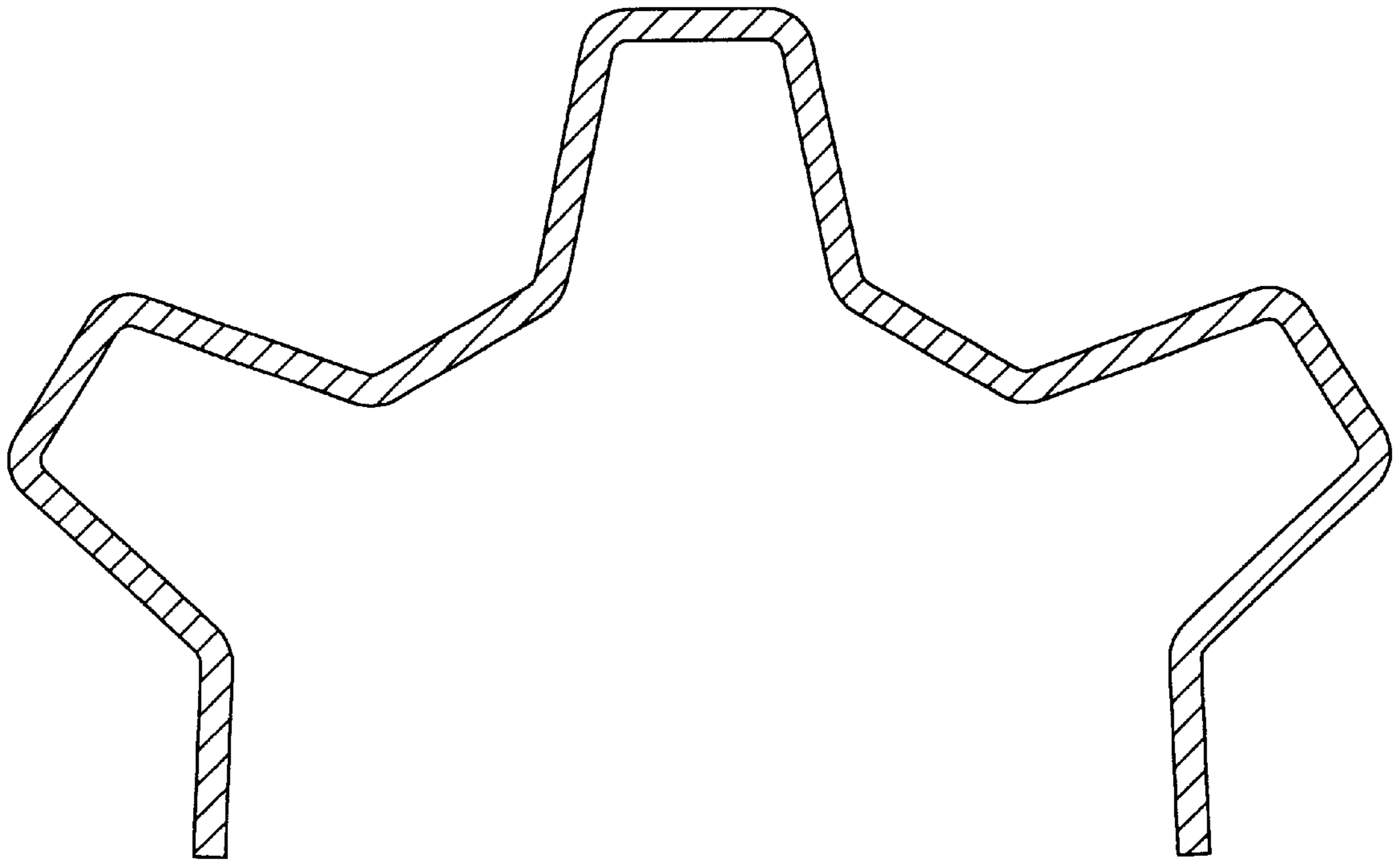


FIG. 4

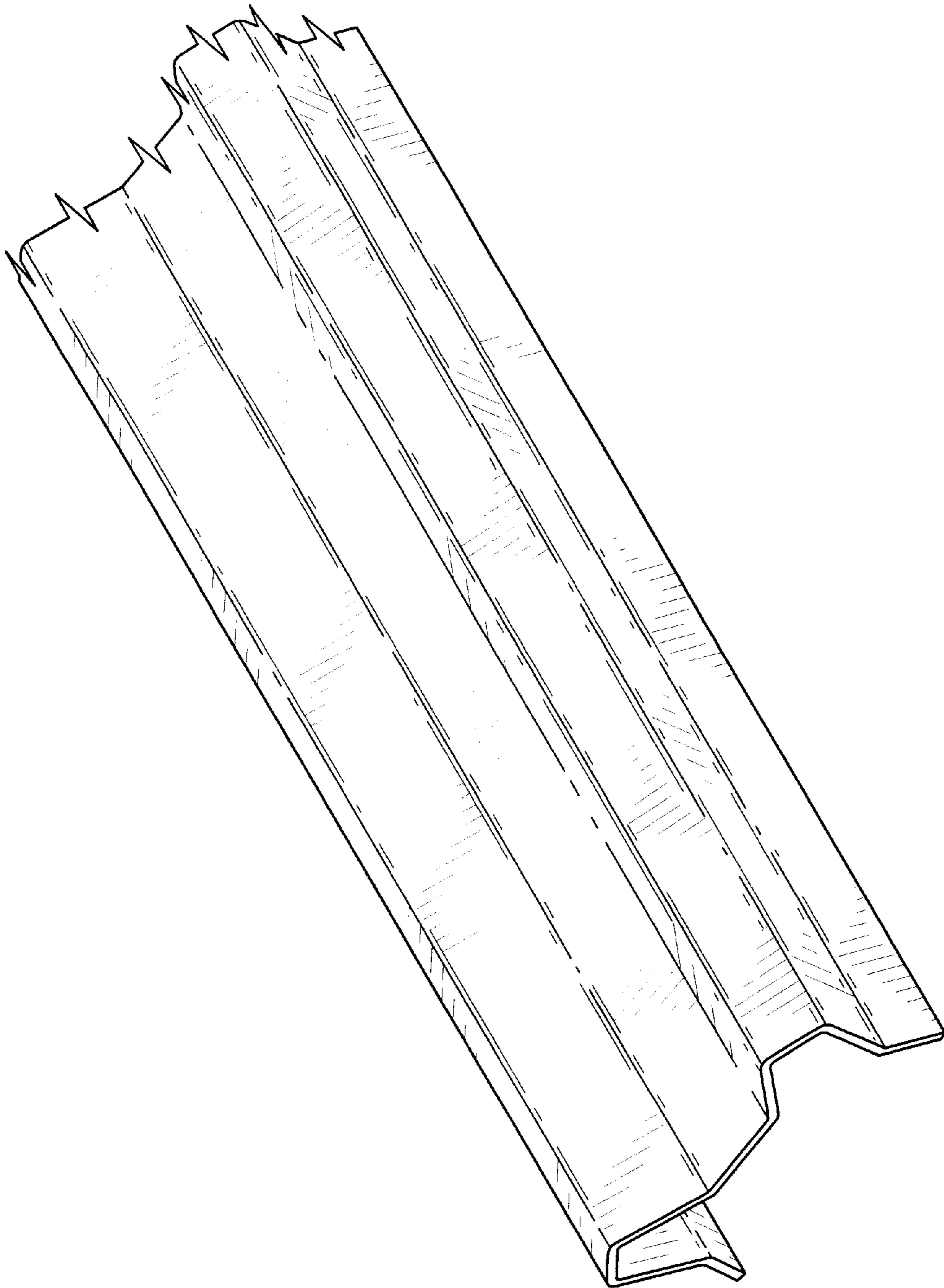


FIG. 5

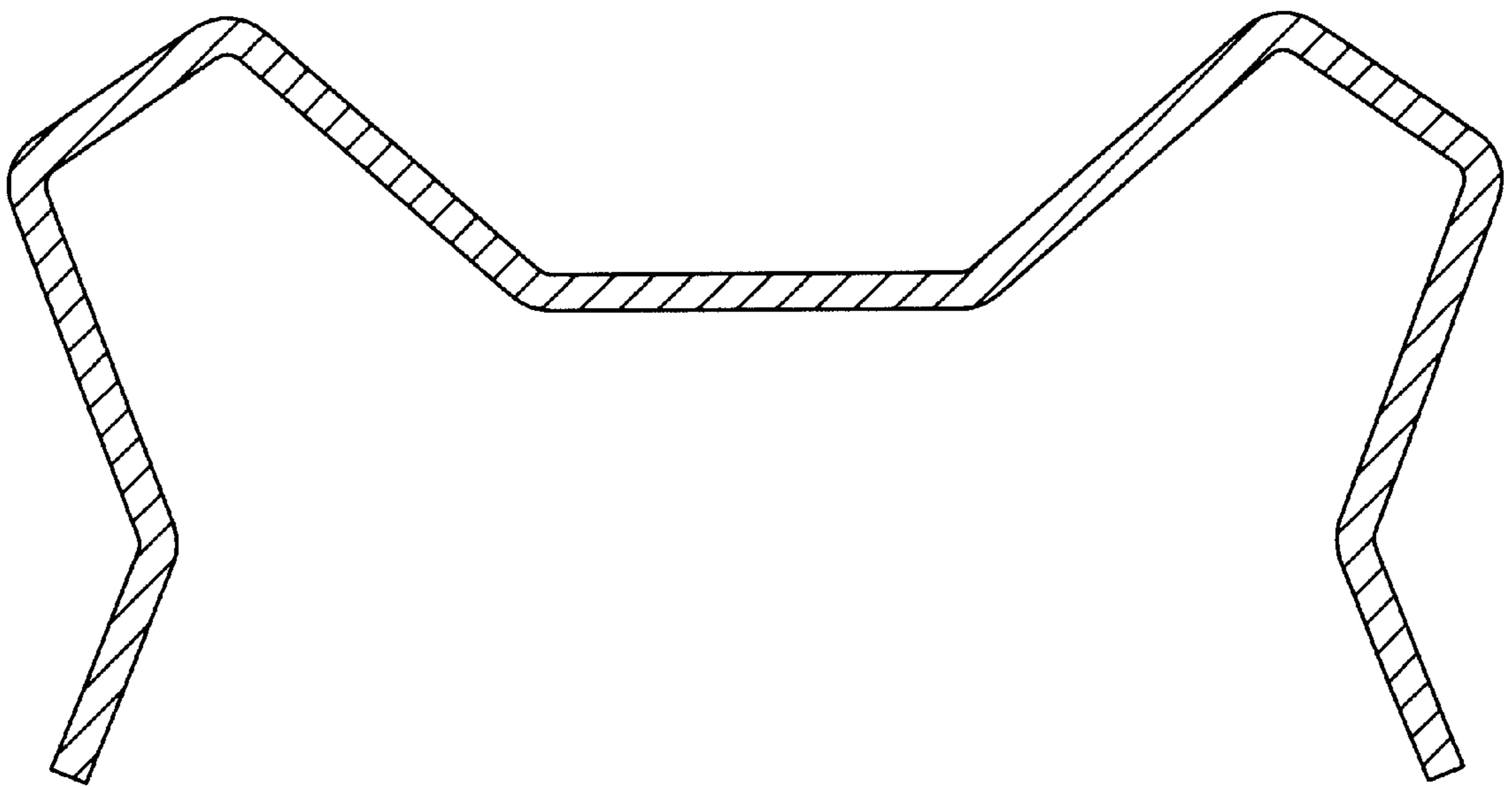


FIG. 6