



US00D425628S

United States Patent [19]

[11] **Patent Number: Des. 425,628**

Barth et al.

[45] **Date of Patent: ** May 23, 2000**

[54] **PAVING STONE**

[76] Inventors: **Gunter Barth**, Butzengrabenweg 16, D-77830 Buhlertal, Germany; **Michael Schmitz**, Im Eichert 7, D-77915 Buhl, Germany

[**] Term: **14 Years**

[21] Appl. No.: **29/079,936**

[22] Filed: **Nov. 14, 1997**

[30] Foreign Application Priority Data

May 15, 1997 [WO] WIPO DM0401546
Sep. 9, 1997 [WO] WIPO DM041364

[51] **LOC (7) Cl.** **25-01**

[52] **U.S. Cl.** **D25/113**

[58] **Field of Search** D21/484, 486, D21/499-502; D25/113-115, 118; 404/19, 33-42, 222; 405/284-286; 52/596, 604-605, 608-610

[56] References Cited

U.S. PATENT DOCUMENTS

- D. 125,642 3/1941 Pandolfi D25/113
- 141,283 7/1873 Manico 405/222
- 150,710 5/1874 Prindle .
- D. 278,934 5/1985 Scheiwiller D25/113
- D. 278,935 5/1985 Scheiwiller D25/118
- D. 317,207 5/1991 Scheiwiller .
- D. 317,208 5/1991 Scheiwiller .
- 382,683 5/1888 Bignell .
- D. 389,926 1/1998 Barth et al. D25/113
- D. 399,978 10/1998 Barth et al. D25/113
- 421,618 2/1890 Schaeffer .
- 1,314,278 8/1919 McClain 404/38
- 1,794,572 3/1931 Wyatt 52/596
- 2,060,746 11/1936 Porter D25/113
- 3,546,792 12/1970 Sherman D25/113
- 3,557,669 1/1971 Fenton .
- 3,903,702 9/1975 Appleton 52/608

- 4,016,692 4/1977 Jordan et al. .
- 4,067,196 1/1978 Schraudenbach .
- 4,185,939 1/1980 Barth et al. .
- 4,583,341 4/1986 Barth et al. .
- 4,627,764 12/1986 Scheiwiller 404/41
- 5,133,620 7/1992 Scheiwiller 404/37
- 5,224,792 7/1993 Hagenah .
- 5,251,997 10/1993 Brock .
- 5,360,285 11/1994 Barth et al. .
- 5,496,129 3/1996 Dubë .
- 5,503,498 4/1996 Scheiwiller .
- 5,797,698 8/1998 Barth et al. 404/39

FOREIGN PATENT DOCUMENTS

- 89 00 276 12/1989 Germany .
- 44 05 616 11/1994 Germany .
- 195 20 887 1/1996 Germany .

Primary Examiner—Louis S. Zarfaz
Assistant Examiner—Robert A. Delehanty

[57] CLAIM

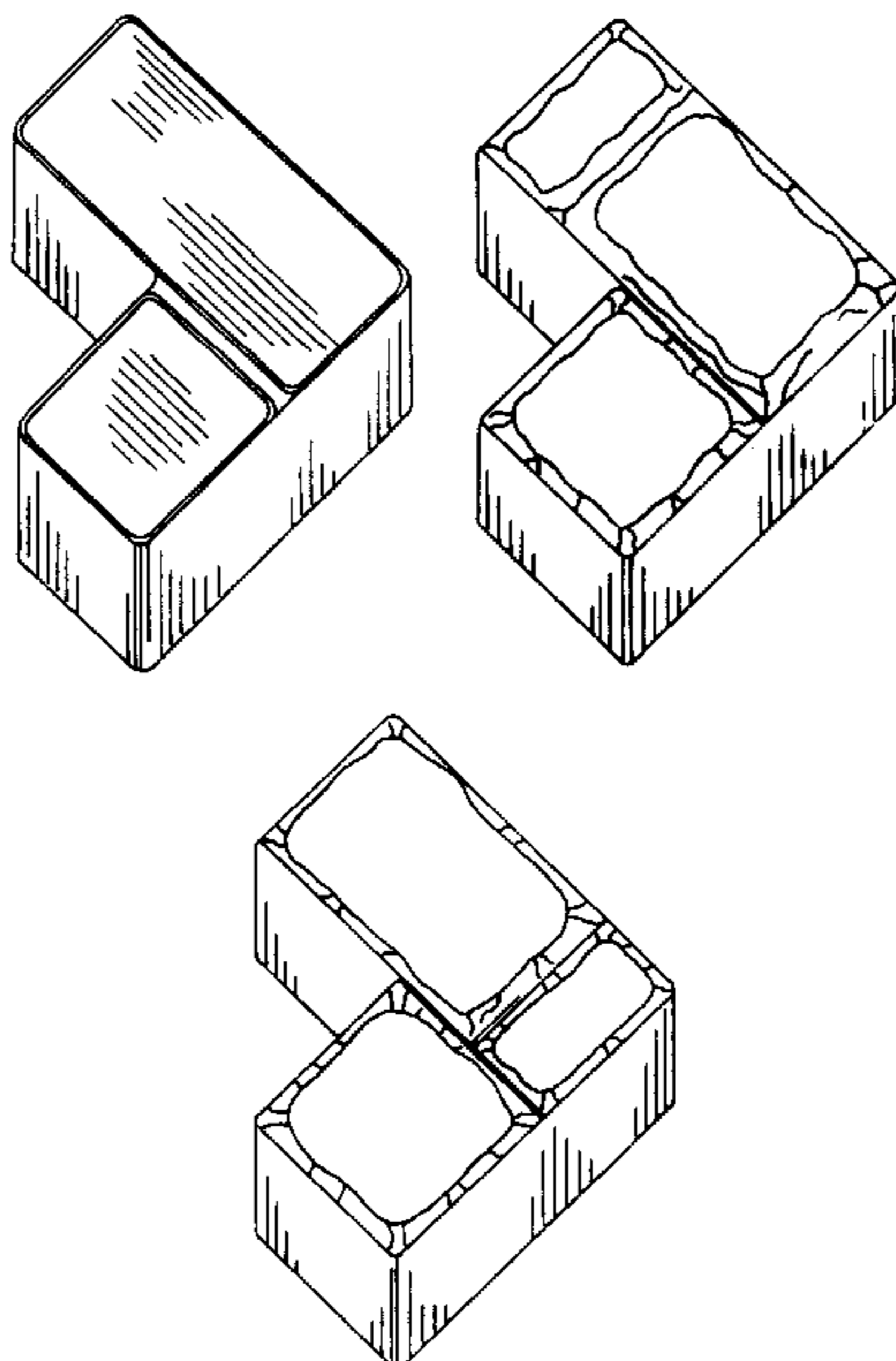
The ornamental design for a paving stone, as shown and described.

DESCRIPTION

FIG. 1 is a perspective view of a paving stone showing my new design;
 FIG. 2 is a bottom plan view thereof;
 FIG. 3 is a side elevation view thereof;
 FIG. 4 is a perspective view of a second embodiment of the paving stone;
 FIG. 5 is a perspective view of a third embodiment of the paving stone; and,
 FIG. 6 is a side elevation view of the second and third embodiment thereof.

The sides of the three embodiments of the paving stone not shown in the drawings are understood to be flat and unornamented and the bottom of the second and third embodiments of the paving stone is flat and ornamental.

1 Claim, 2 Drawing Sheets



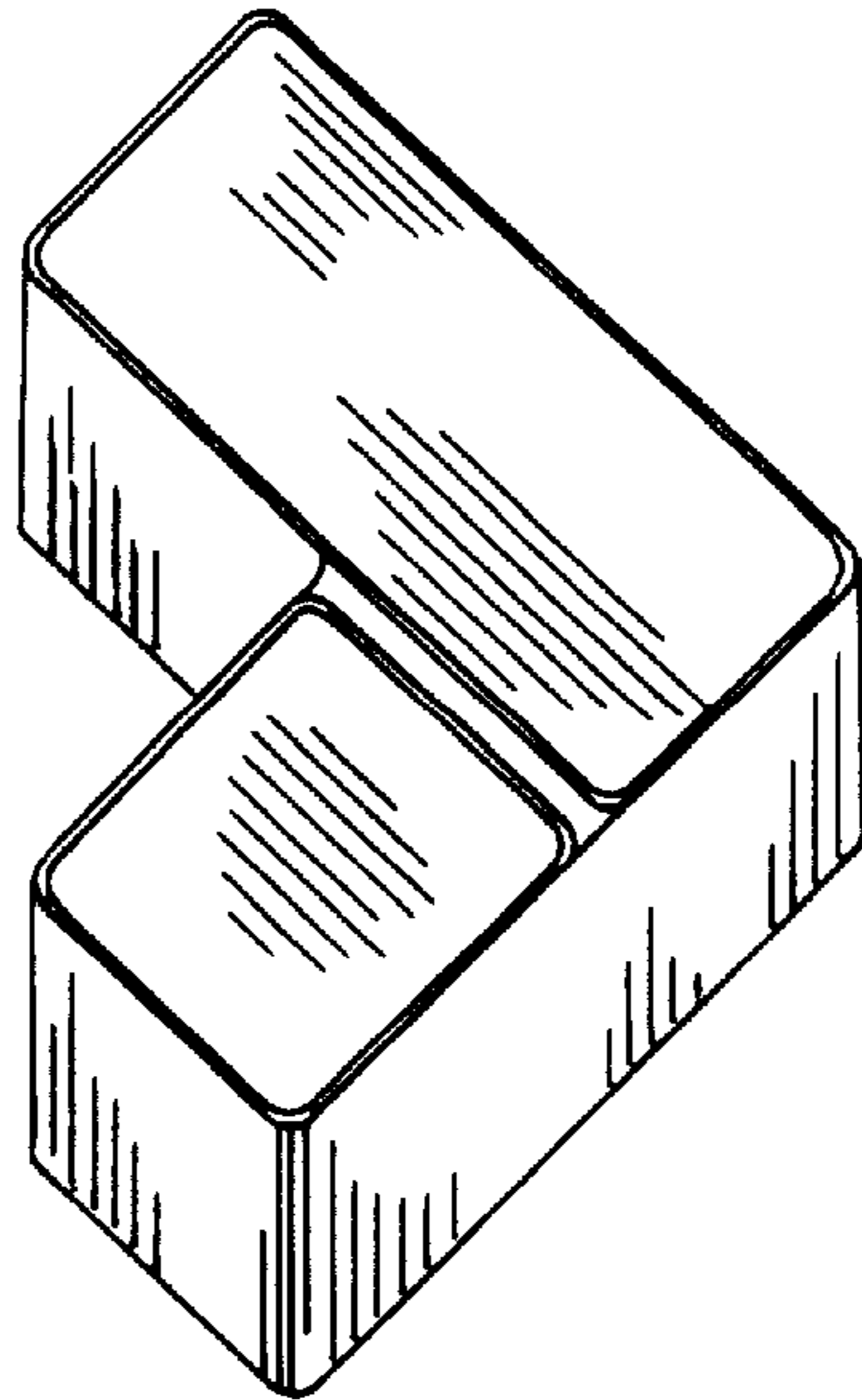


FIG. 1

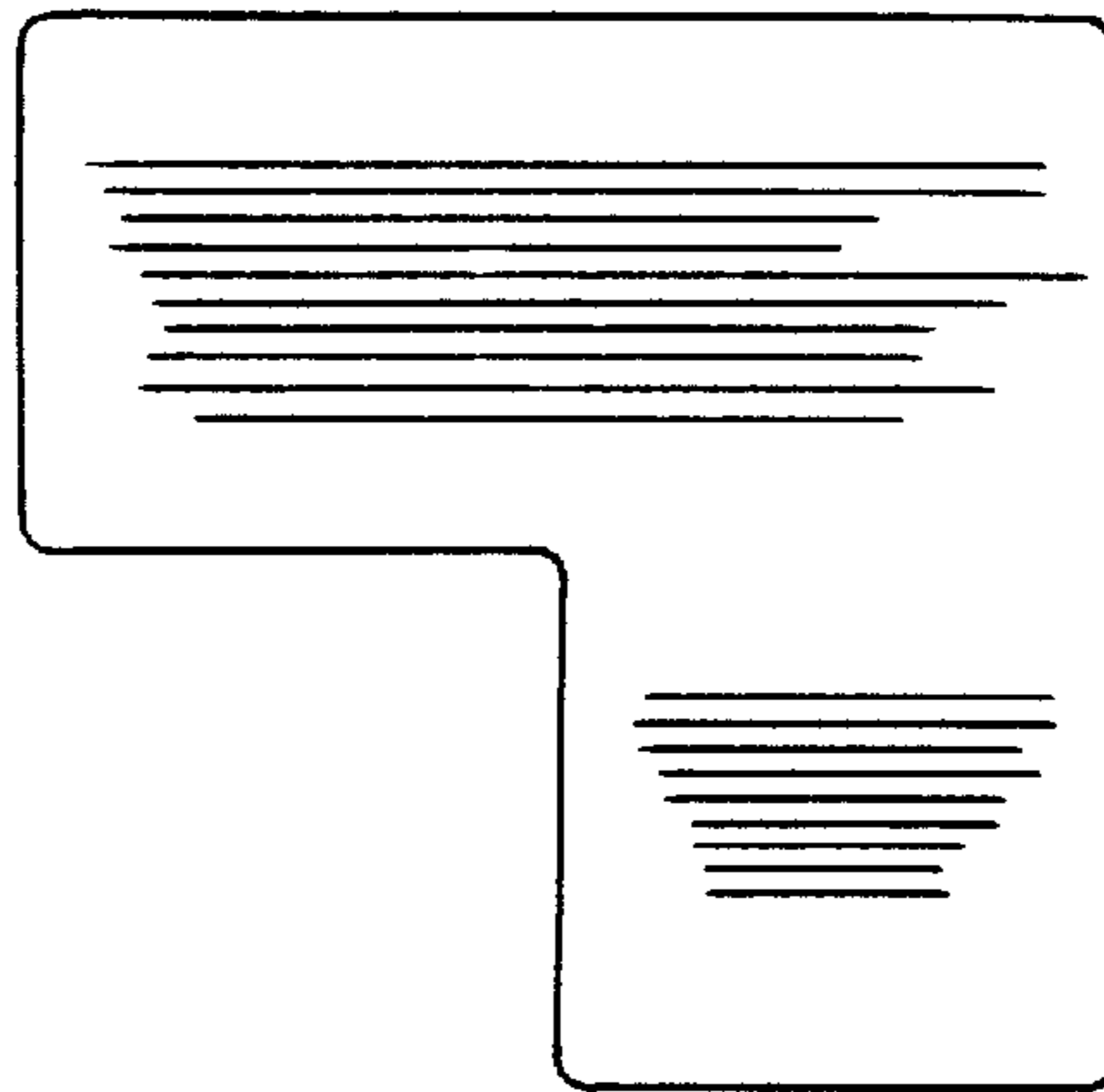


FIG. 2

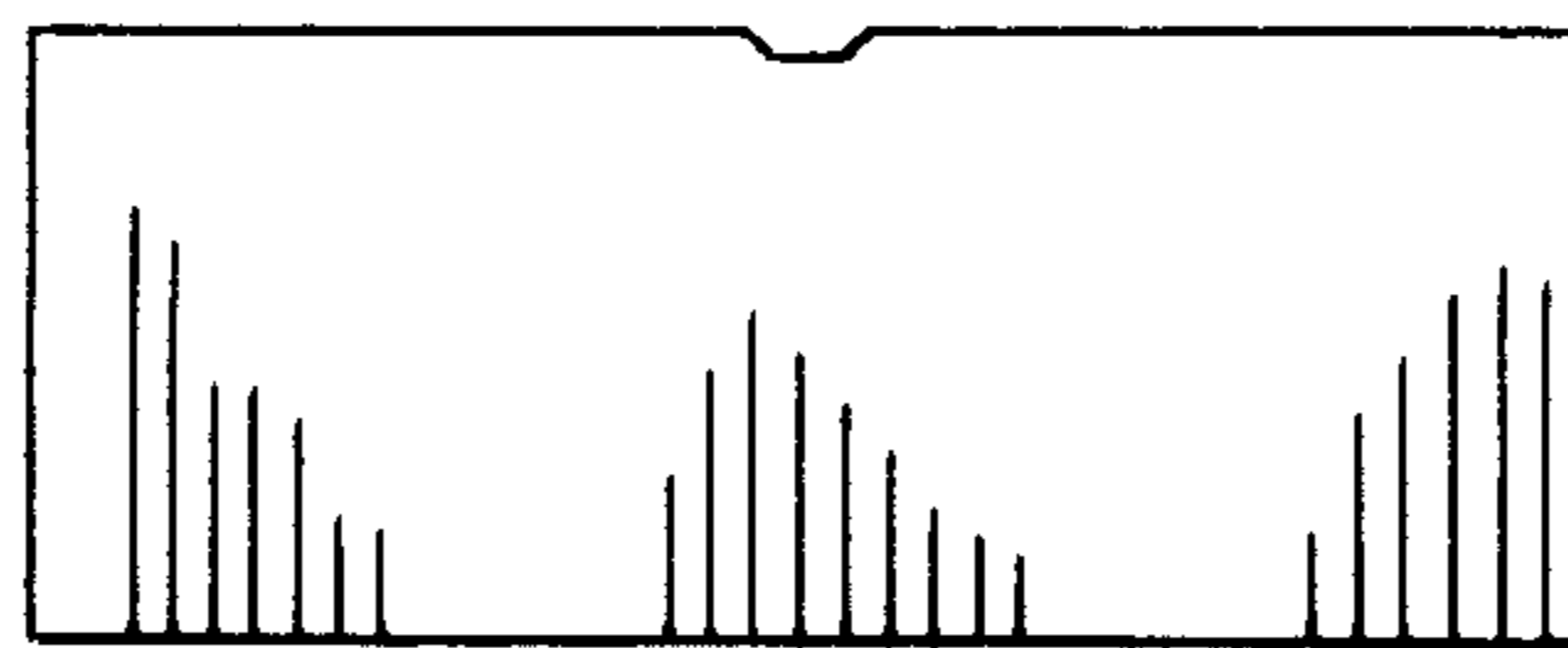


FIG. 3

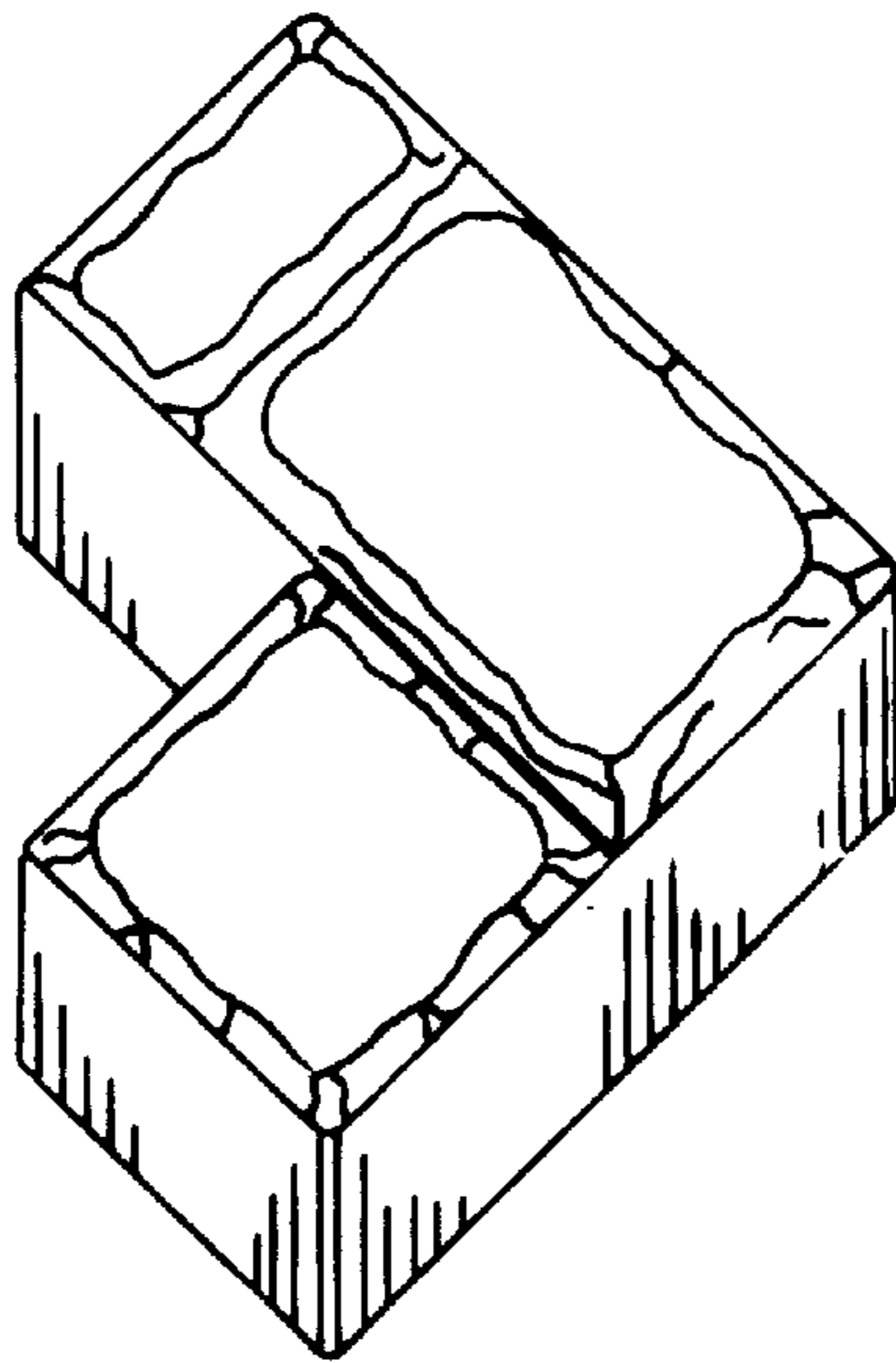


FIG. 4

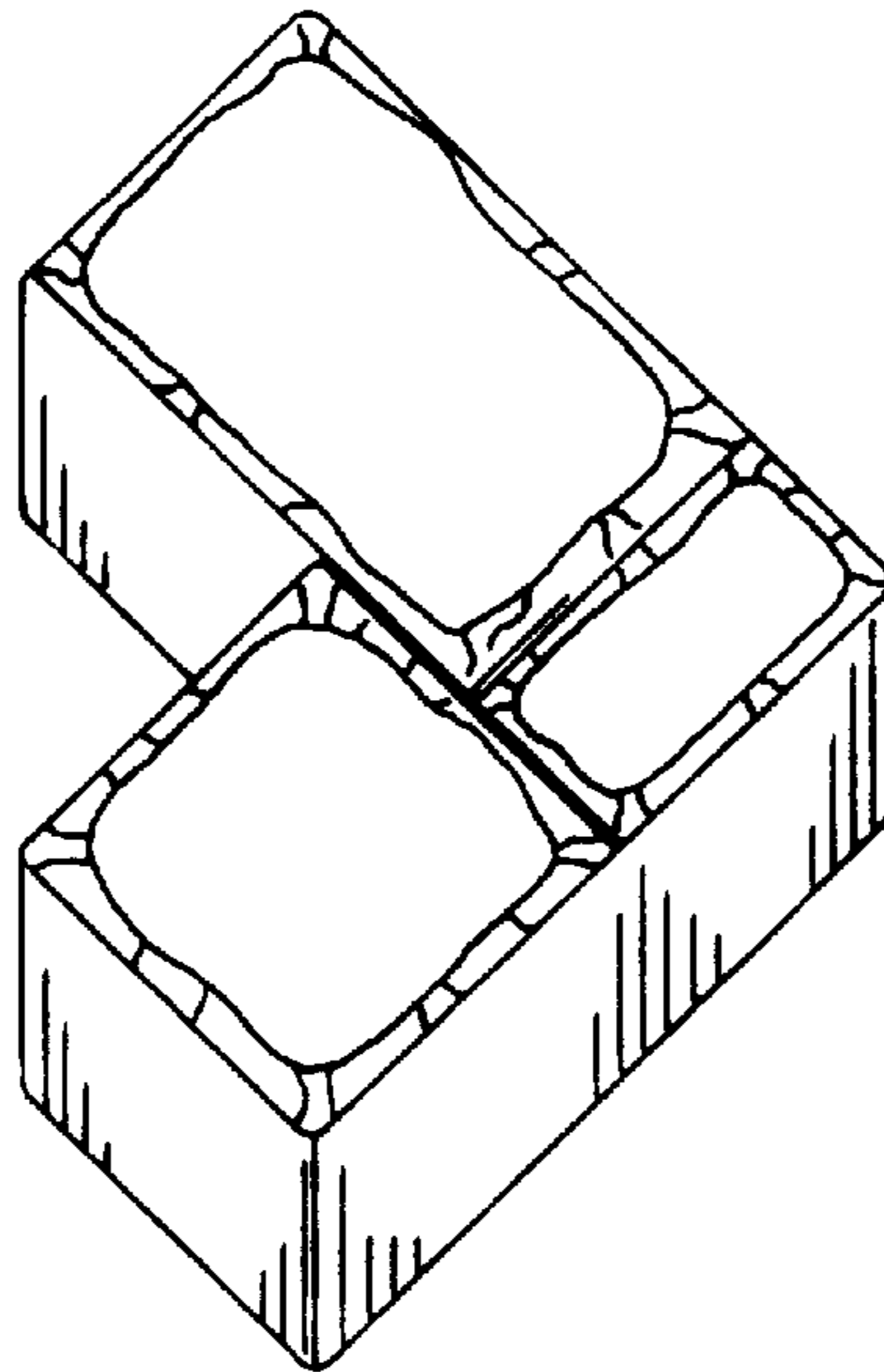


FIG. 5



FIG. 6