



US00D425624S

United States Patent [19] Choi

[11] **Patent Number: Des. 425,624**

[45] **Date of Patent: ** May 23, 2000**

[54] **PETRI DISH**

[75] Inventor: **David Chung-Wai Choi**, Kowloon, The Hong Kong Special Administrative Region of the People's Republic of China

[73] Assignee: **Edu-Science (H.K.) Ltd.**, The Hong Kong Special Administrative Region of the People's Republic of China

[**] Term: **14 Years**

[21] Appl. No.: **29/100,781**

[22] Filed: **Feb. 18, 1999**

[51] **LOC (7) Cl.** **24-02**

[52] **U.S. Cl.** **D24/224; D24/216**

[58] **Field of Search** D24/216, 224, D24/225, 226; 435/301, 309.1, 309.4, 305.1, 288.3, 305.4, 288.1, 297.5, 304.1; 422/102, 99

[56] **References Cited**

U.S. PATENT DOCUMENTS

D. 295,319 4/1988 Franchere et al. D24/224

3,769,936 11/1973 Swanson et al. D24/224
4,743,556 5/1988 Ervin 435/305.1
4,945,061 7/1990 Iskander 435/305.1
5,021,351 6/1991 Ervin 435/305.1
5,605,836 2/1997 Chen et al. 435/305.4

Primary Examiner—Stella Reid
Assistant Examiner—I Simmons
Attorney, Agent, or Firm—Samuels, Gauthier & Stevens

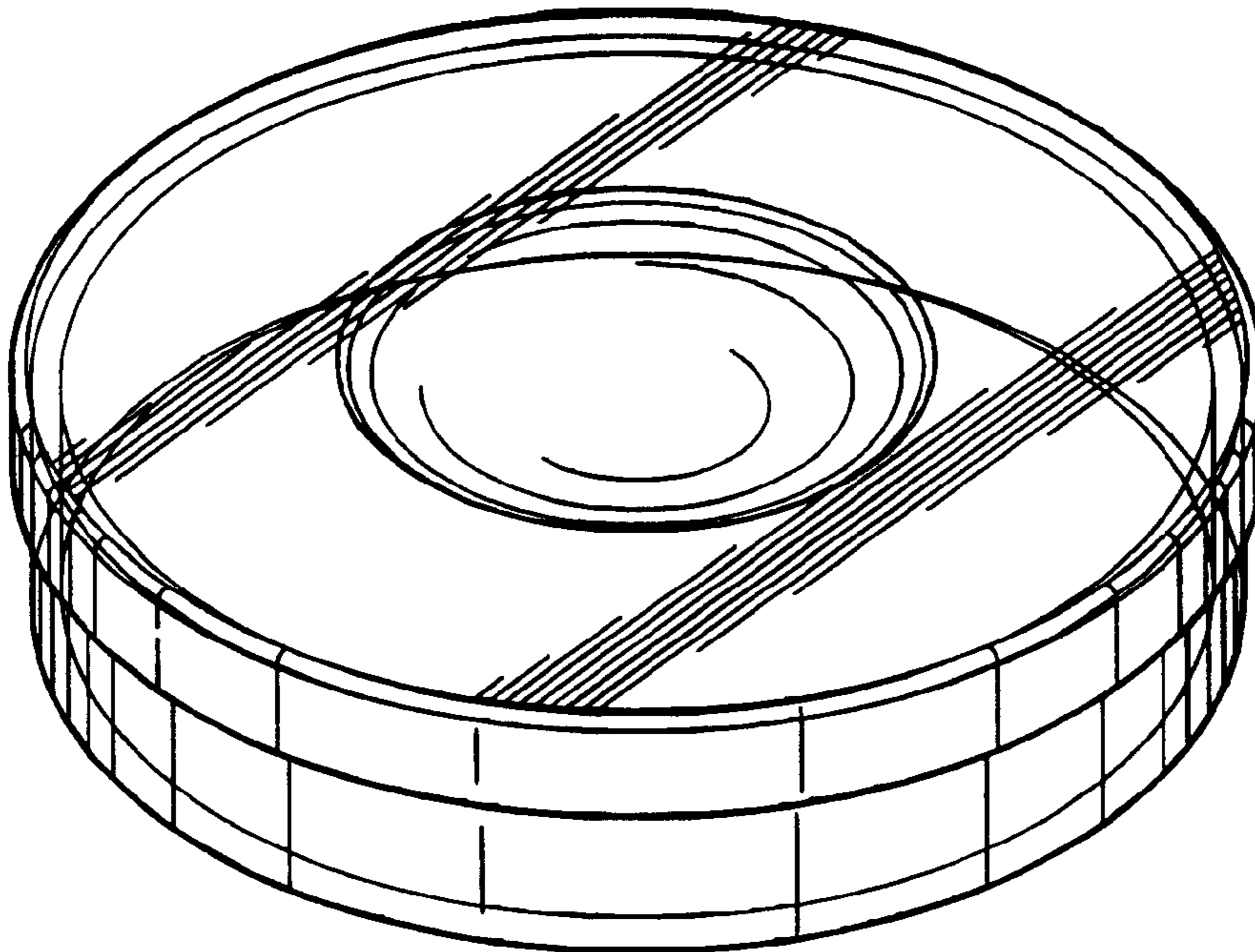
[57] **CLAIM**

The ornamental design for a “petri dish,” as shown and described.

DESCRIPTION

FIG. 1 is the front perspective view showing my new design; FIG. 2 is the front view thereof; FIG. 3 is the left hand view thereof; FIG. 4 is the top view thereof; FIG. 5 is the rear view thereof; FIG. 6 is the right hand view thereof; and, FIG. 7 is the bottom view thereof.

1 Claim, 3 Drawing Sheets



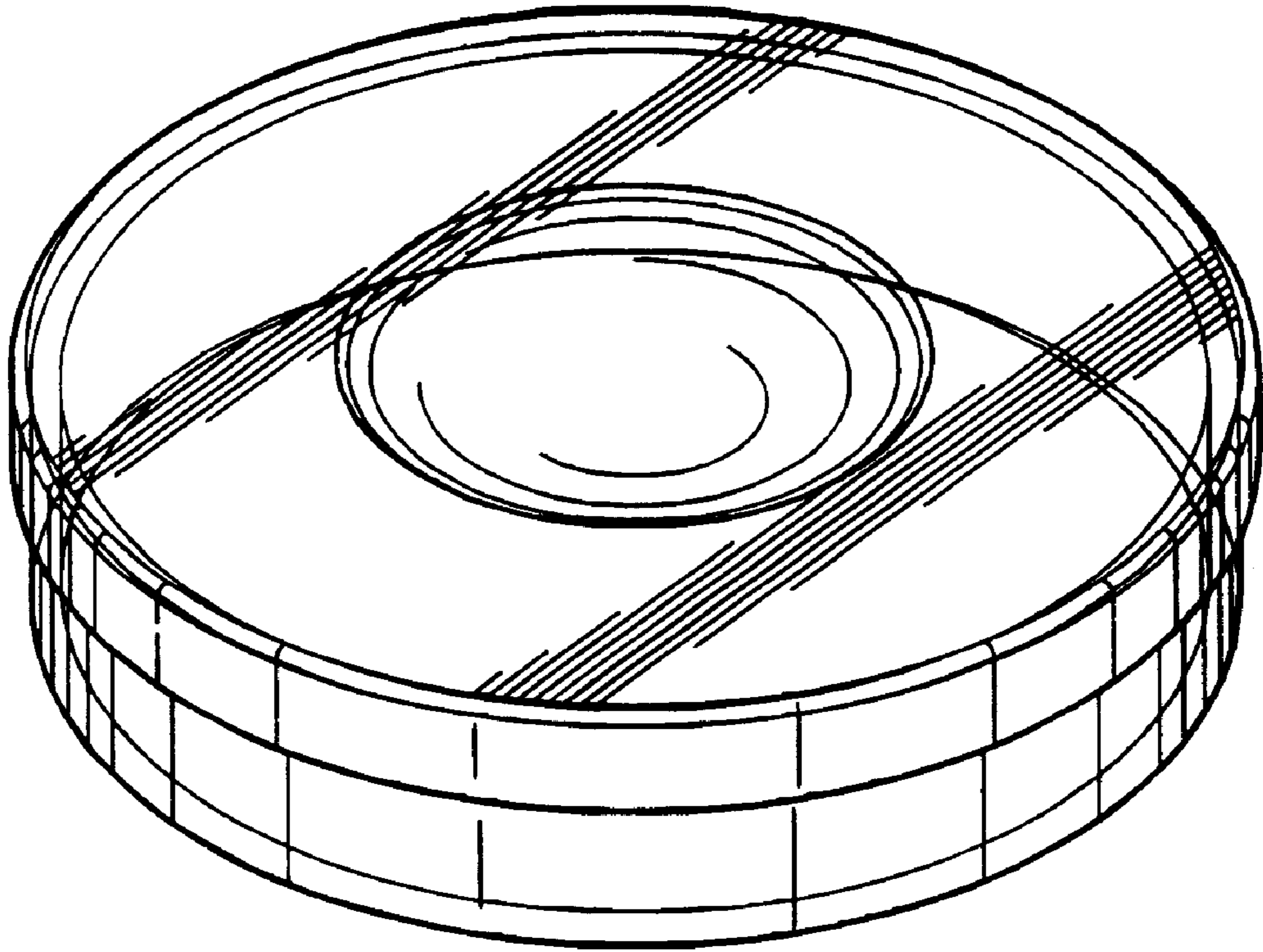


FIG. 1

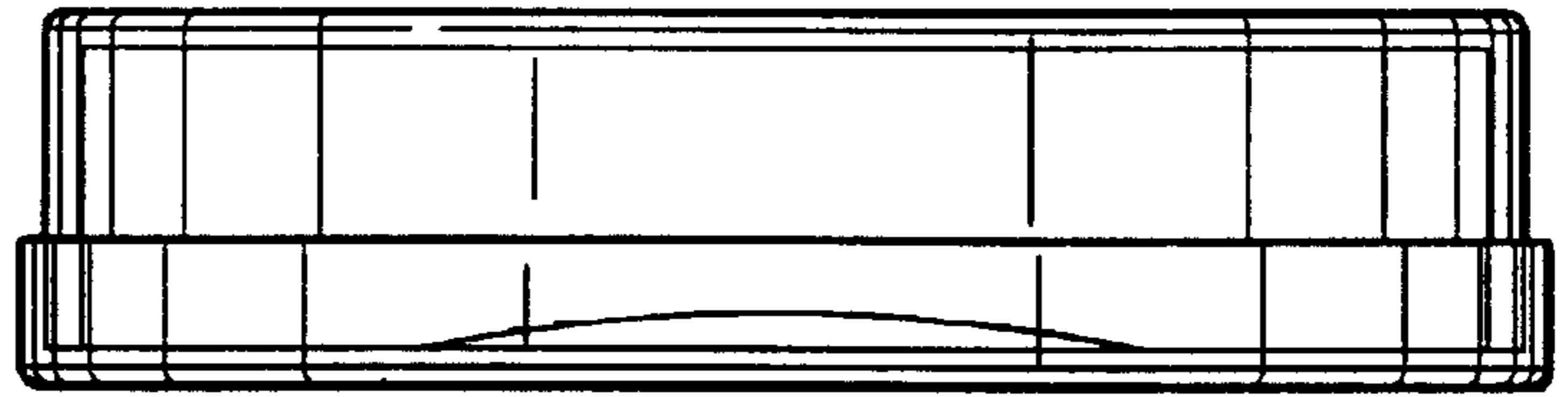


FIG. 4

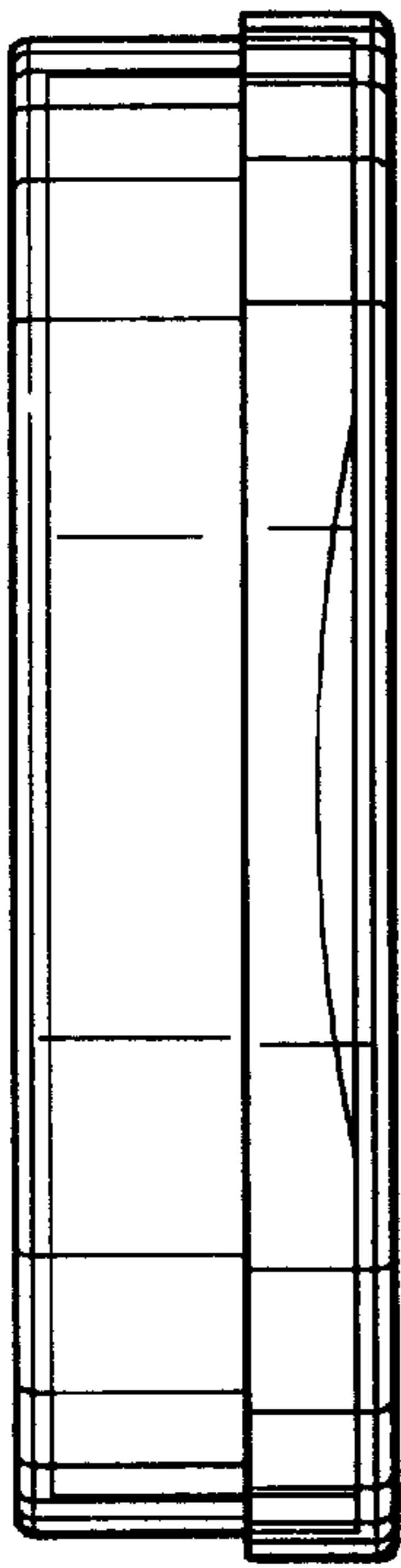


FIG. 3

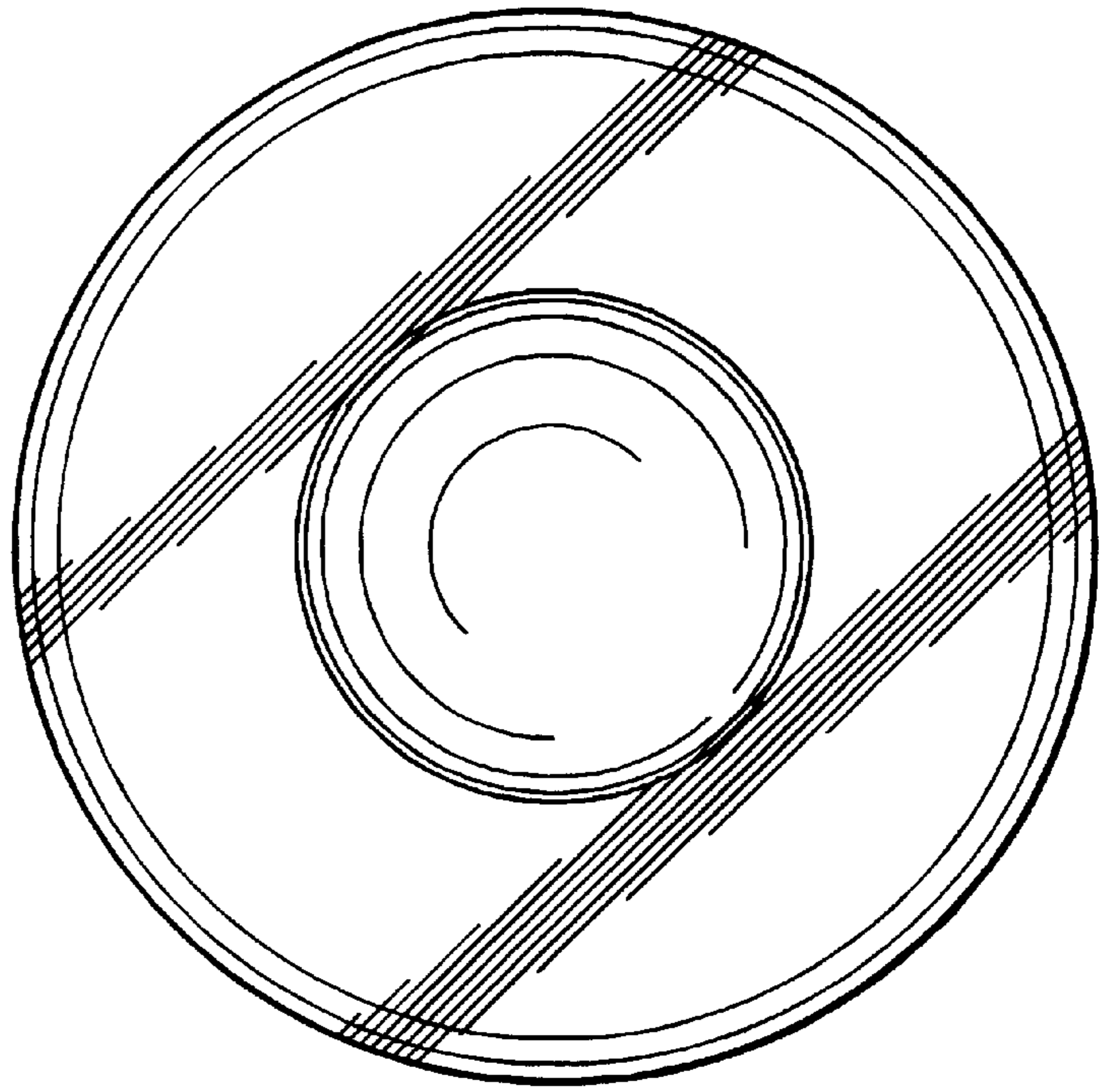


FIG. 2

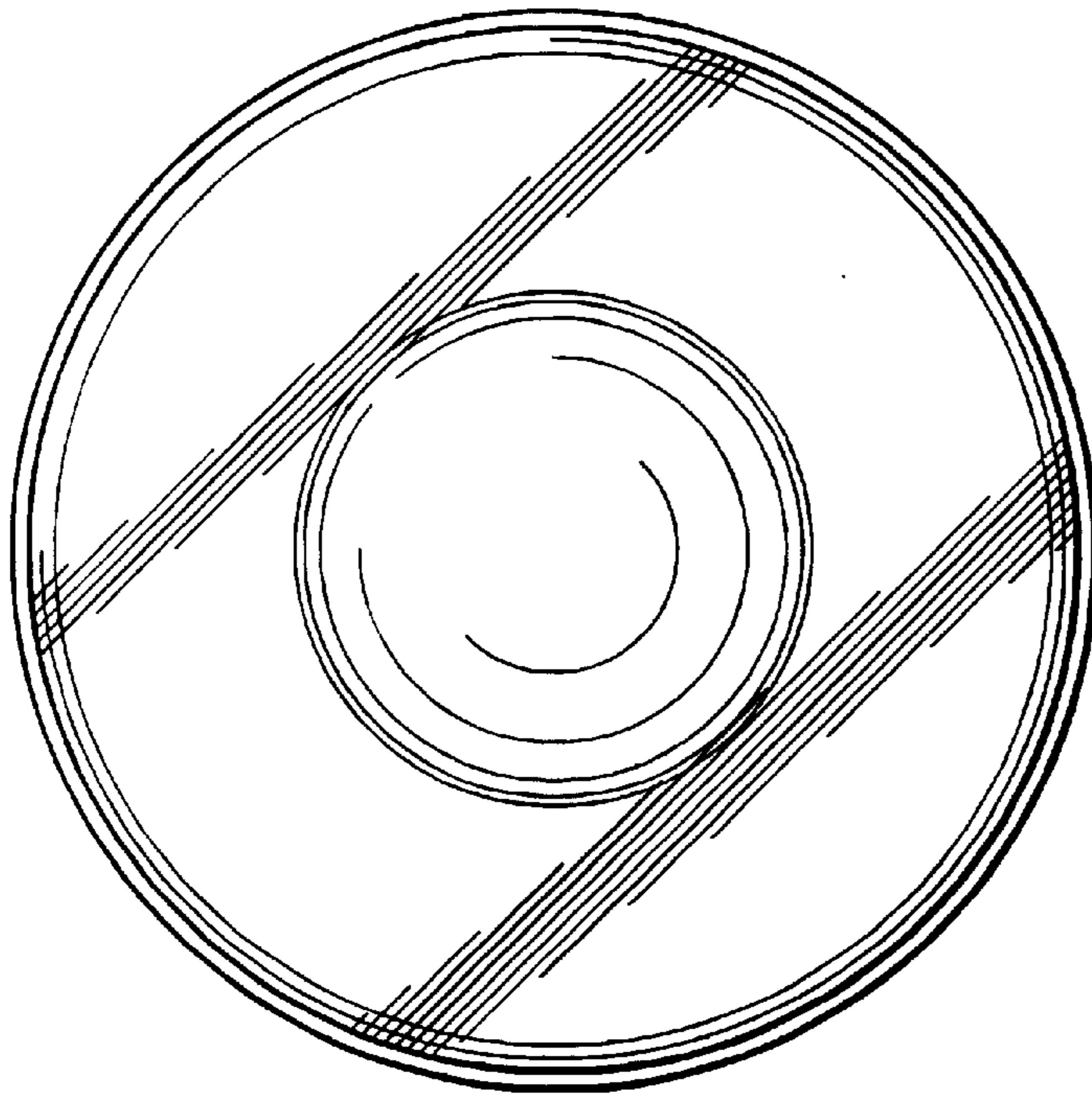


FIG. 5

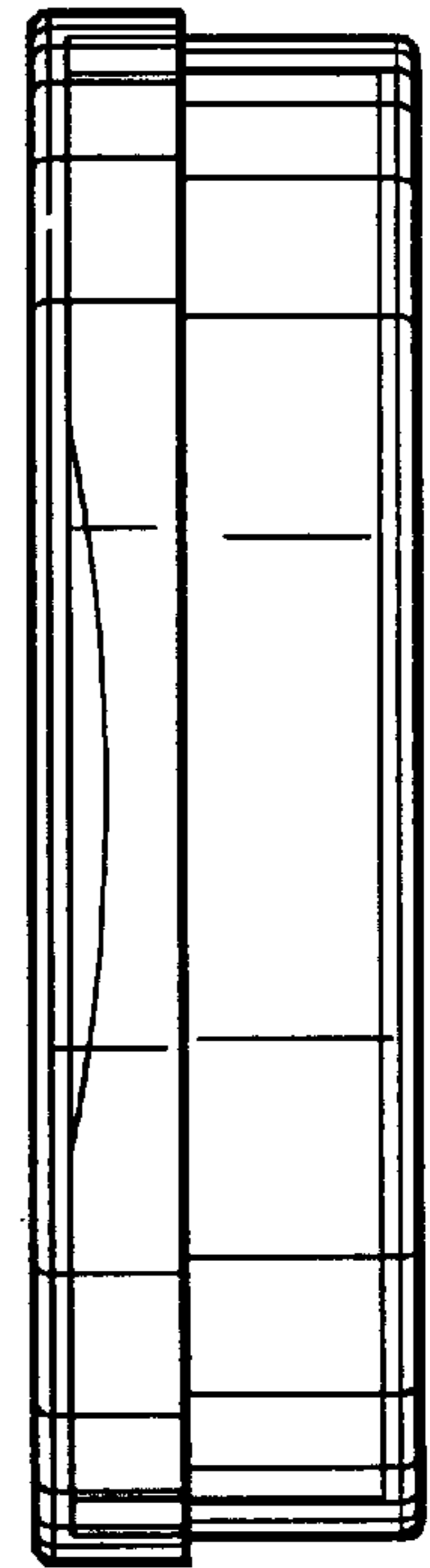


FIG. 6

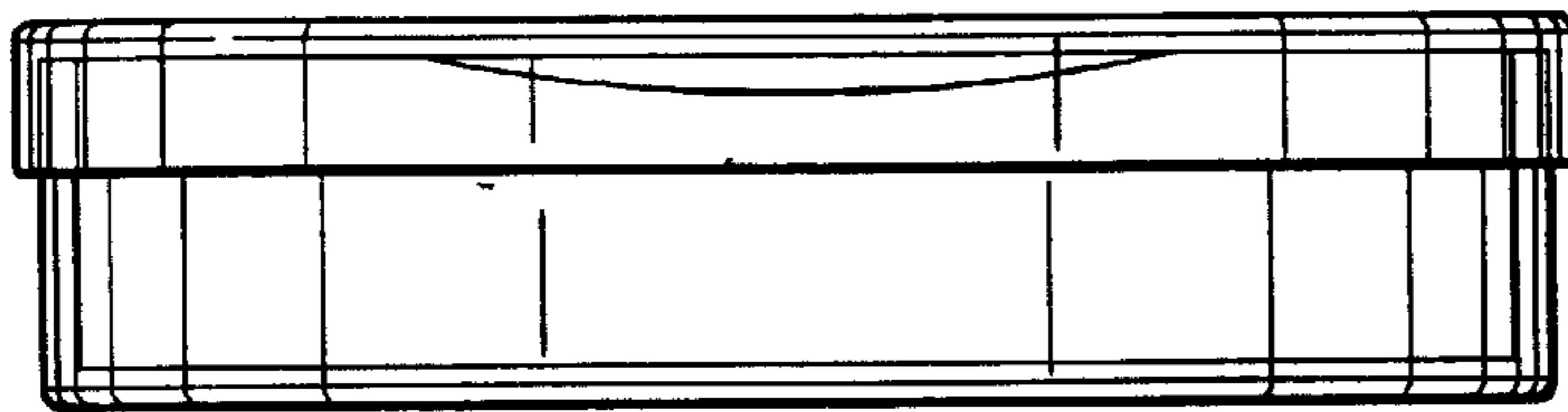


FIG. 7