



US00D425620S

United States Patent [19]

[11] Patent Number: Des. 425,620

Koros et al.

[45] Date of Patent: ** May 23, 2000

[54] **RETRACTOR FOR MAMMARY ARTERY BYPASS SURGERY**

5,520,608 5/1996 Cabrera et al. 600/227
5,846,194 12/1998 Wasson et al. 600/228

[76] Inventors: **Tibor B. Koros; Gabriel J. Koros,**
both of 610 Flinn Ave., Moorpark,
Calif. 93021

Primary Examiner—Stella Reid
Assistant Examiner—I Simmons
Attorney, Agent, or Firm—David O'Reilly

[**] Term: **14 Years**

[57] **CLAIM**

[21] Appl. No.: **29/084,879**

The ornamental design for a retractor for mammary artery bypass surgery, as shown and described.

[22] Filed: **Mar. 12, 1998**

DESCRIPTION

[51] **LOC (7) Cl.** **24-02**

[52] **U.S. Cl.** **D24/135**

[58] **Field of Search** D24/136, 135;
600/201, 206, 210, 216, 229, 228, 231,
233, 232, 220, 217, 215, 235, 219, 222

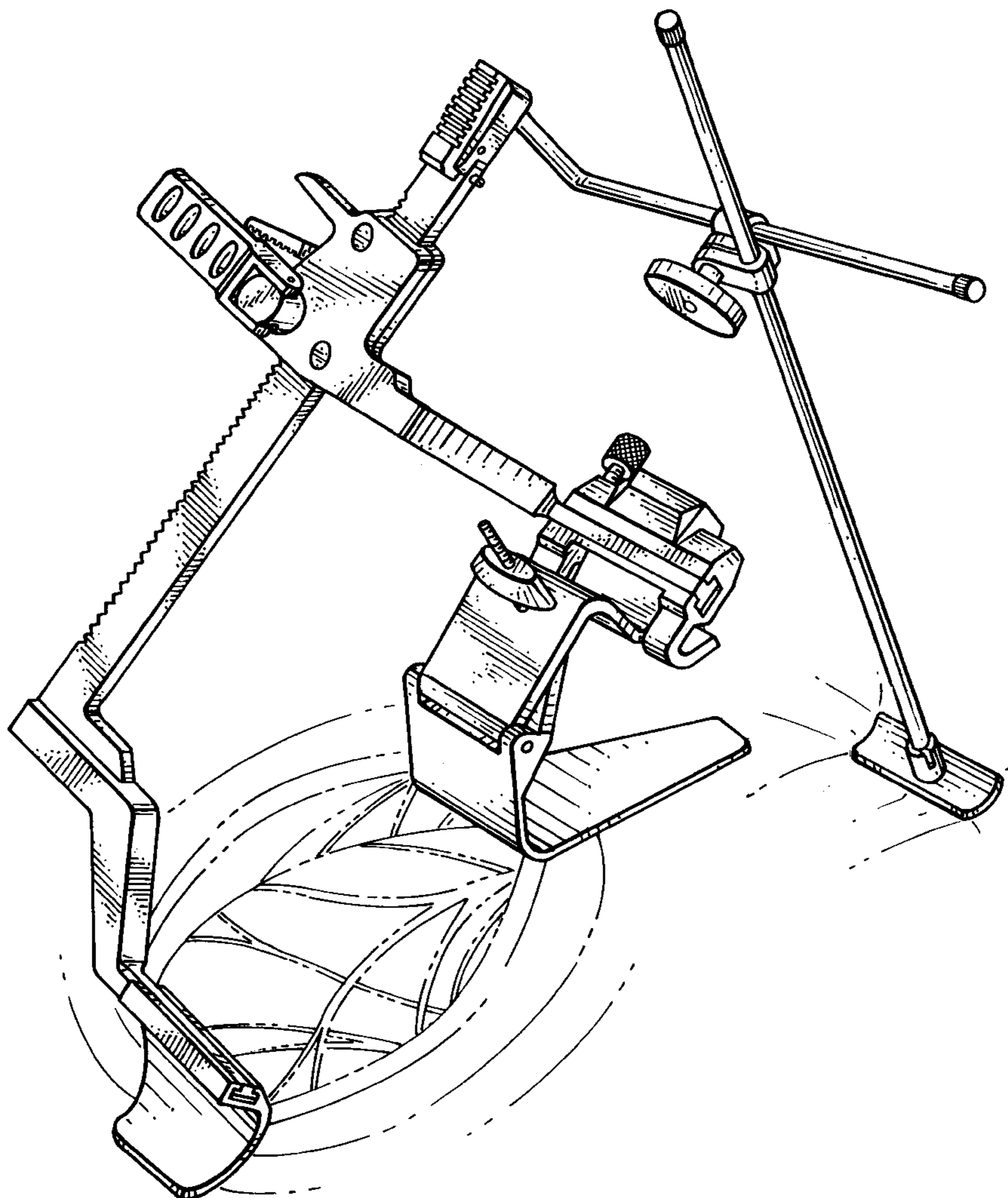
FIG. 1 is a perspective view of a retractor for mammary artery bypass surgery showing our new design, the broken line showing of the chest cavity is for illustrative purposes only and forms no part of the claimed design;
FIG. 2 is a top view thereof;
FIG. 3 is a bottom view thereof;
FIG. 4 is a right side view thereof;
FIG. 5 is a left side view thereof;
FIG. 6 is a rear view thereof; and,
FIG. 7 is a front view thereof.

[56] **References Cited**

U.S. PATENT DOCUMENTS

D. 361,381 8/1995 Koros et al. D24/135
D. 399,955 10/1998 Koros et al. D24/135
5,025,779 6/1991 Bugge 600/217

1 Claim, 7 Drawing Sheets



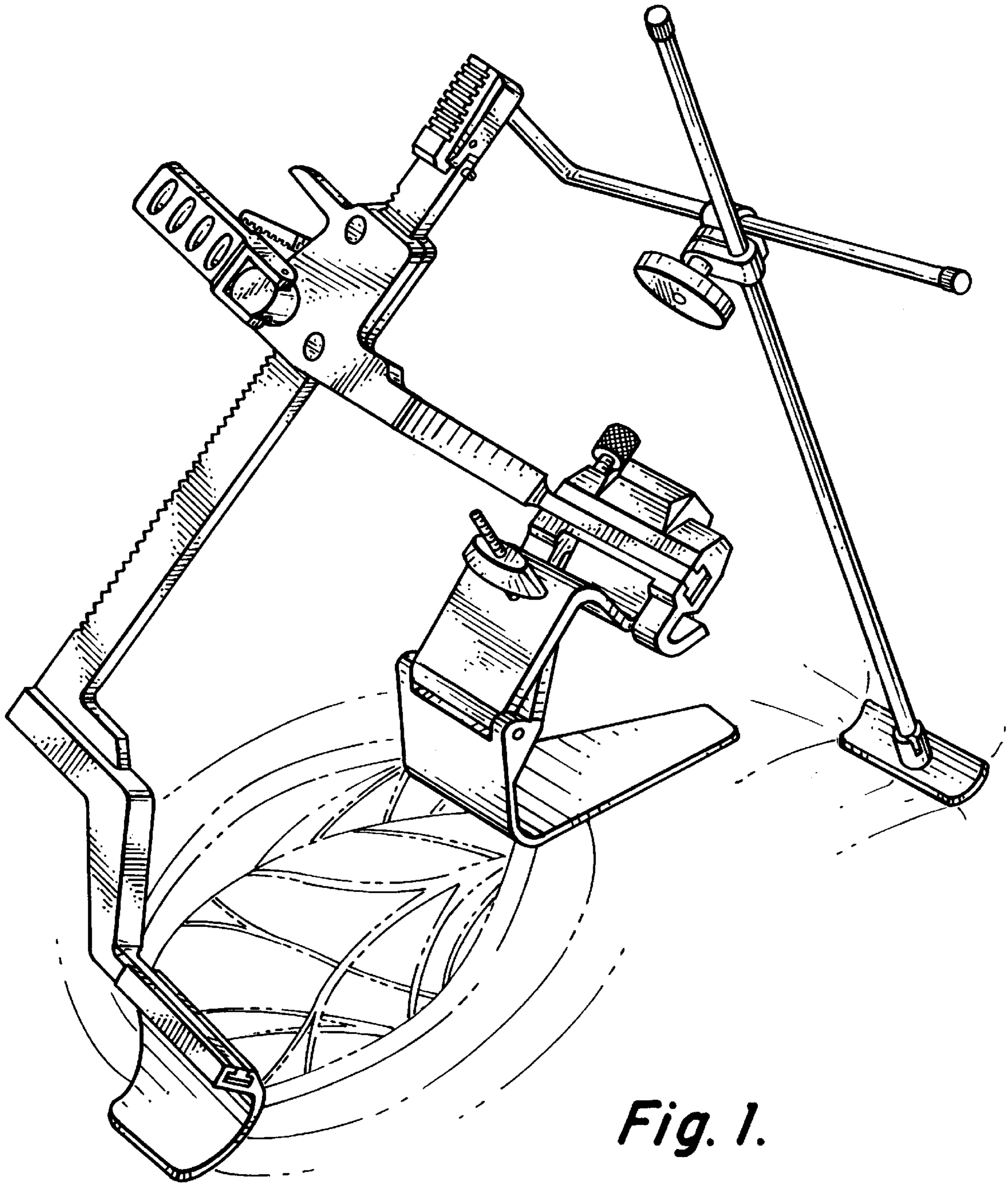


Fig. 1.

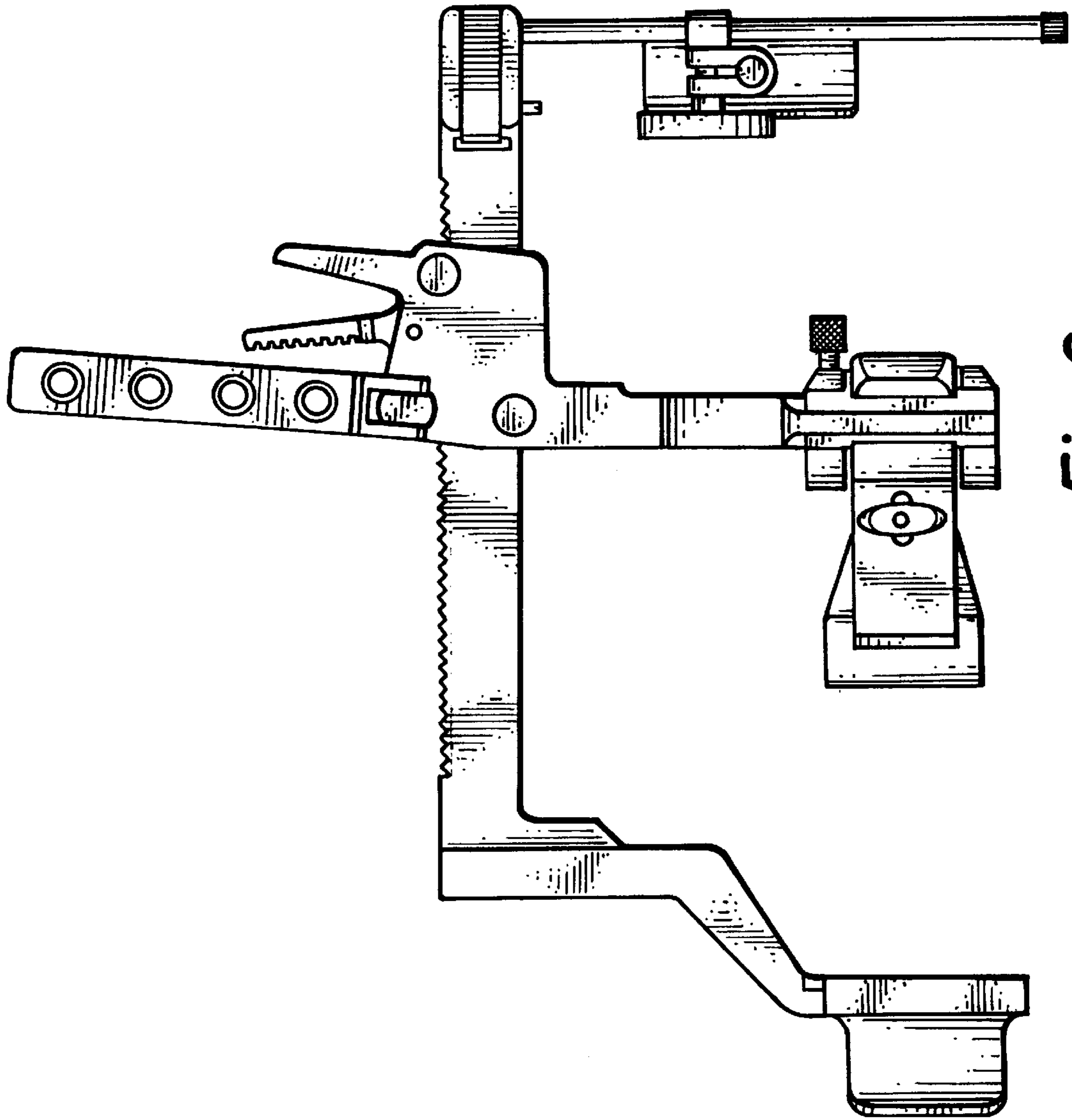


Fig. 2.

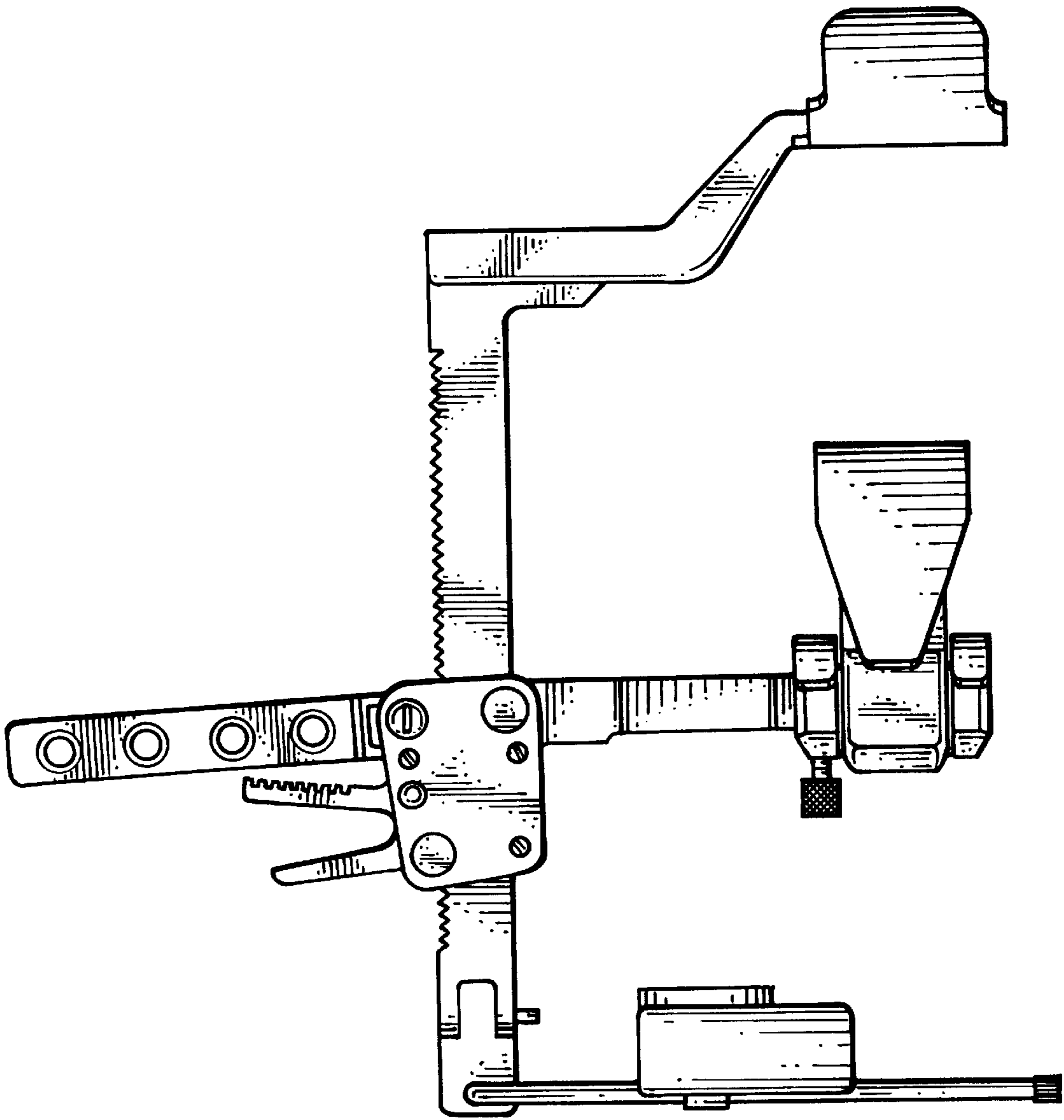


Fig. 3.

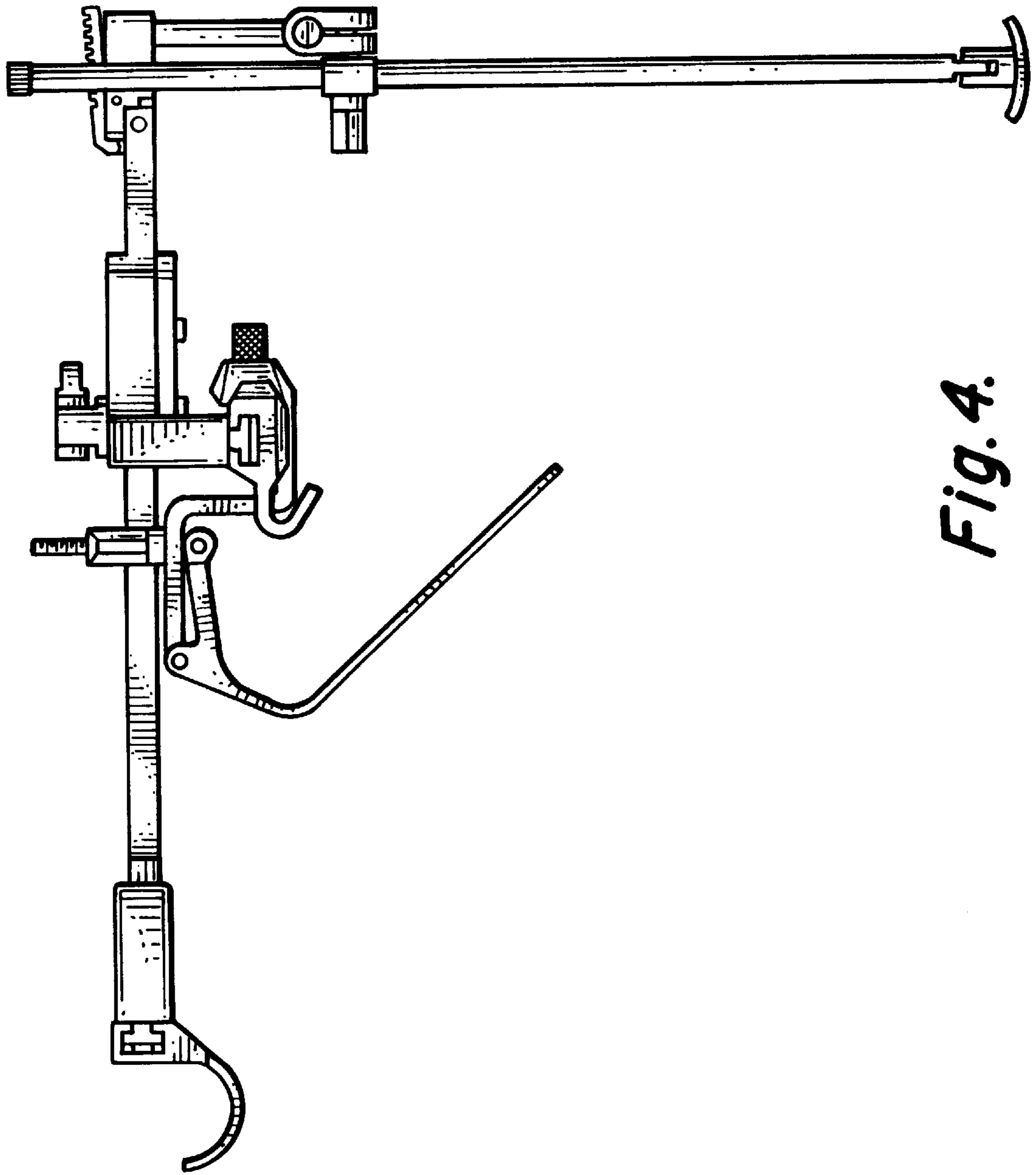


Fig. 4.

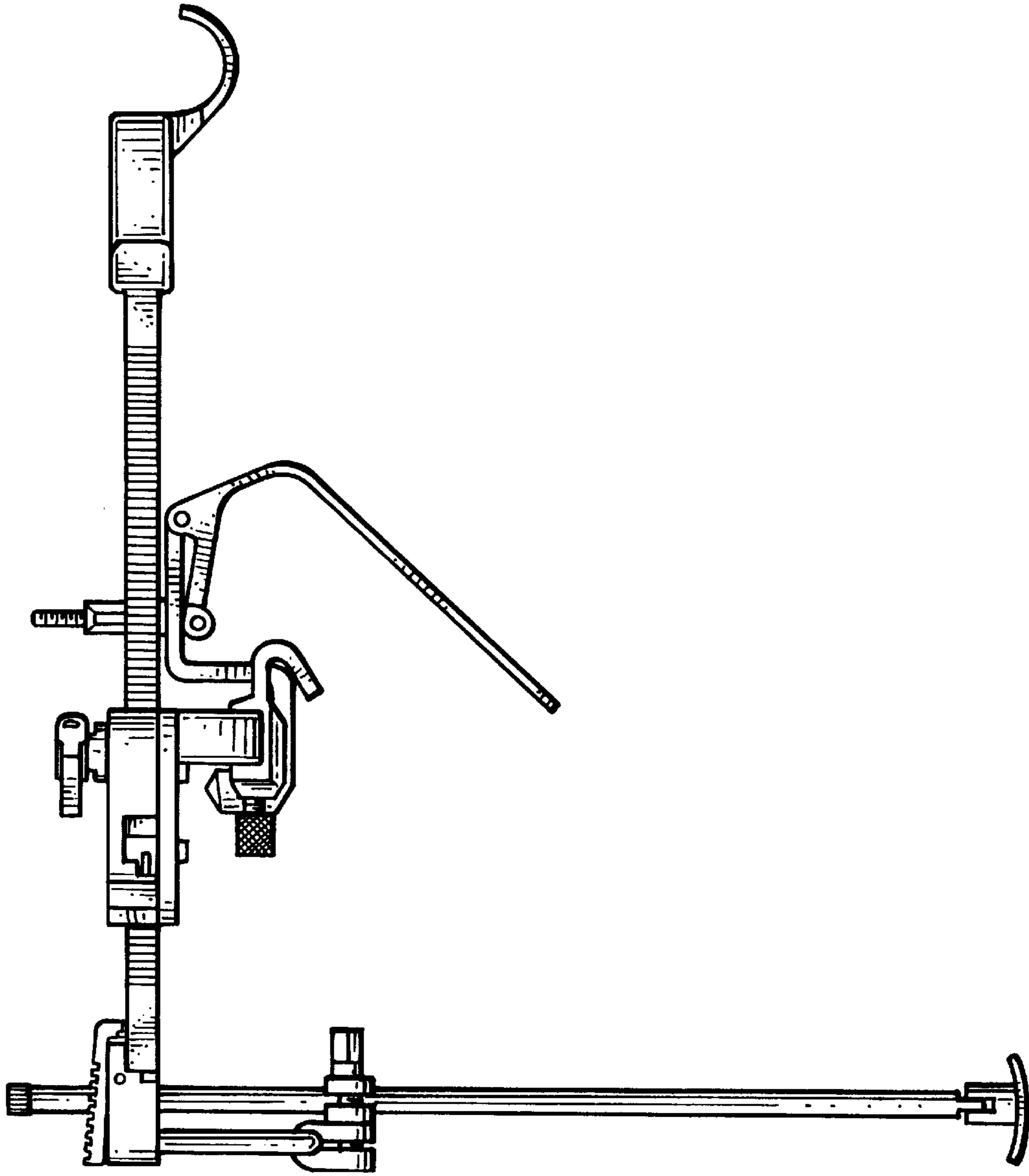


Fig. 5.

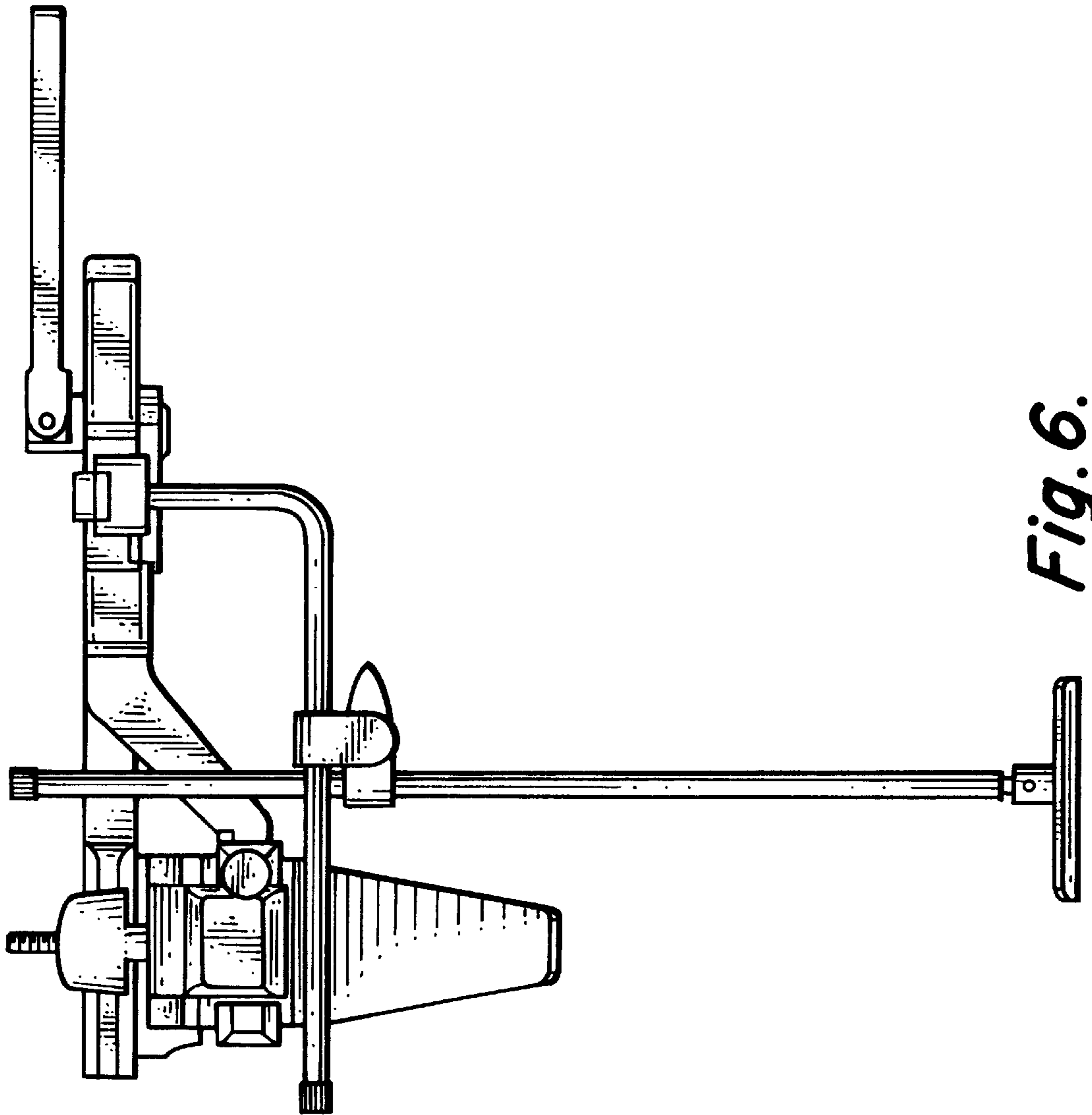


Fig. 6.

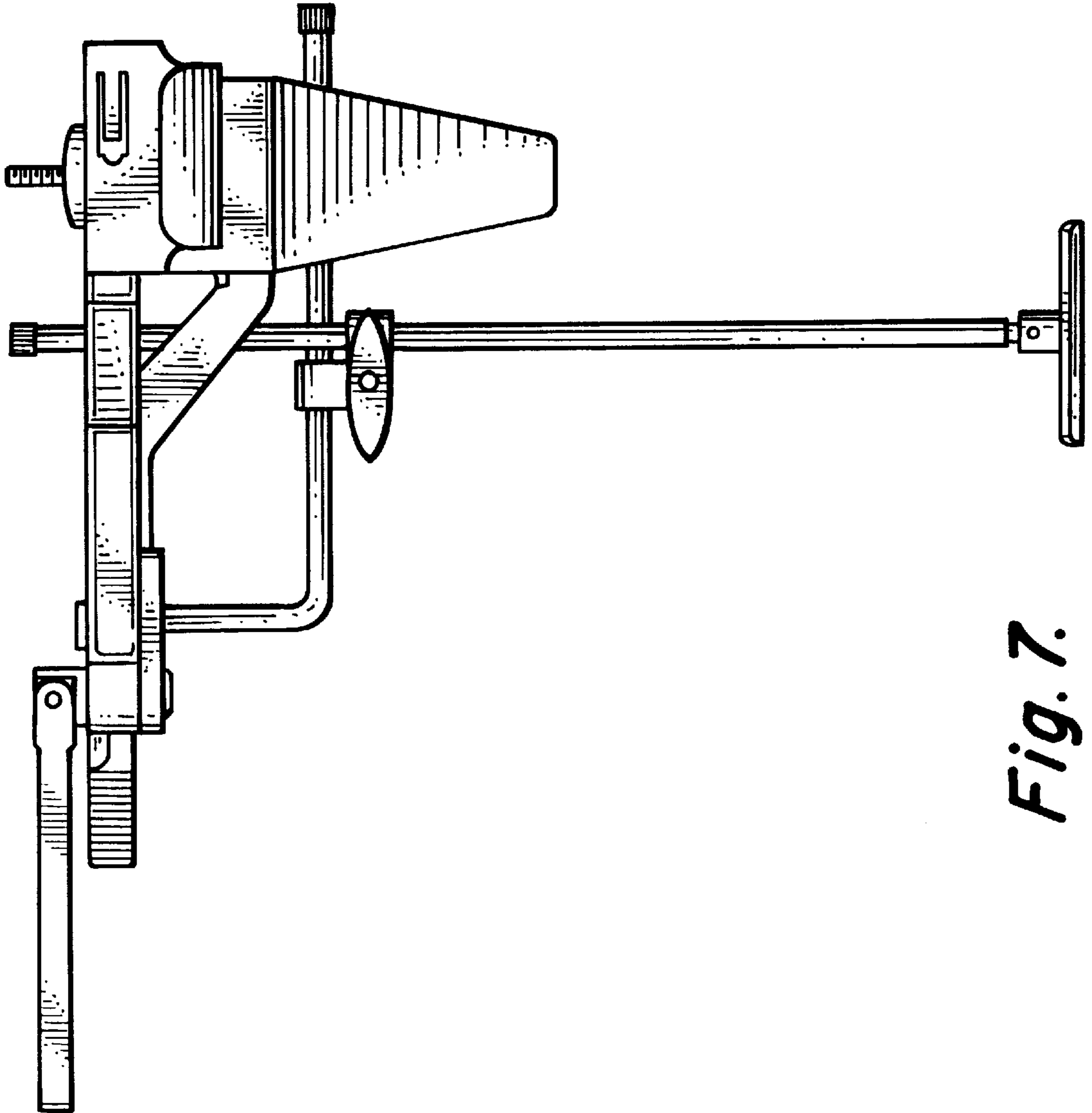


Fig. 7.