



US00D425619S

United States Patent [19] Bierman

[11] Patent Number: **Des. 425,619**

[45] Date of Patent: **** May 23, 2000**

[54] **CATHETER ANCHOR**

[75] Inventor: **Steven F. Bierman**, Del Mar, Calif.

[73] Assignee: **Venetec International, Inc.**, Mission Viejo, Calif.

[**] Term: **14 Years**

[21] Appl. No.: **29/098,814**

[22] Filed: **Jan. 6, 1999**

[51] **LOC (7) Cl.** **24-04**

[52] **U.S. Cl.** **D24/128; D24/130**

[58] **Field of Search** D24/130, 128,
D24/127, 189; 128/DIG. 26, 858; 604/177,
179, 174, 180, 165, 178

[56] **References Cited**

U.S. PATENT DOCUMENTS

D. 323,390	1/1992	Paine et al. .	
D. 375,355	11/1996	Bierman	D24/128
D. 377,831	2/1997	Bierman .	
D. 399,954	10/1998	Bierman	D24/128
2,525,398	10/1950	Collins .	
3,064,648	11/1962	Bujan .	
3,210,816	10/1965	Clemons .	
3,900,026	8/1975	Wagner .	
3,973,565	8/1976	Steer .	
4,129,128	12/1978	McFarlane .	
4,250,880	2/1981	Gordon .	
4,316,461	2/1982	Marais et al. .	
4,362,156	12/1982	Feller, Jr. et al. .	
4,449,975	5/1984	Perry .	
4,453,933	6/1984	Speaker .	
4,480,639	11/1984	Peterson et al. .	
4,633,863	1/1987	Filips et al. .	
4,660,555	4/1987	Payton .	
4,711,636	12/1987	Bierman .	
4,852,844	8/1989	Villaveces .	
4,863,432	9/1989	Kvalo .	
4,880,412	11/1989	Weiss .	

4,898,587	2/1990	Mera .	
5,314,411	5/1994	Bierman et al. .	
5,456,671	10/1995	Bierman	604/180
5,496,283	3/1996	Alexander .	
5,498,241	3/1996	Fabozzi .	
5,578,013	11/1996	Bierman .	
5,681,290	10/1997	Alexander	604/180
5,702,371	12/1997	Bierman	604/180
5,800,402	9/1998	Bierman	604/180
5,810,781	9/1998	Bierman	604/174

OTHER PUBLICATIONS

Three (3) photographs of a commercial product sold by B. Braun—undated, Prior art.

Primary Examiner—Stella Reid

Assistant Examiner—I Simmons

Attorney, Agent, or Firm—Knobbe, Martens, Olson & Bear, LLP

[57] **CLAIM**

The ornamental design for a catheter anchor, as shown and described.

DESCRIPTION

FIG. 1 is a front perspective view of a catheter anchor showing my new design;

FIG. 2 is a top plan view of the catheter anchor of FIG. 1; FIG. 3 is a bottom plan view of the catheter anchor of FIG. 1;

FIG. 4 is a right side elevational view of the catheter anchor of FIG. 1;

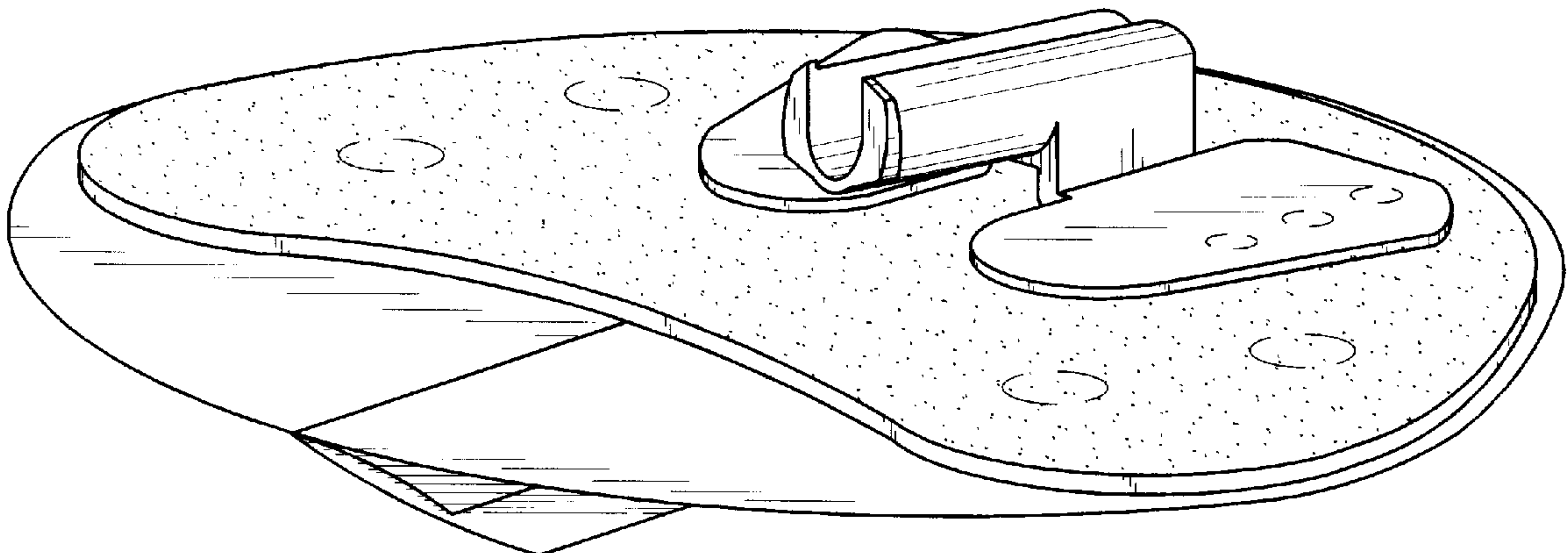
FIG. 5 is a left side elevational view of the catheter anchor of FIG. 1.

FIG. 6 is a front elevational view of the catheter anchor of FIG. 1; and,

FIG. 7 is a rear elevational view of the catheter anchor of FIG. 1.

The broken line showing in FIGS. 1,2 and 3 is for illustrative purposes only and forms no part of the claimed design.

1 Claim, 3 Drawing Sheets



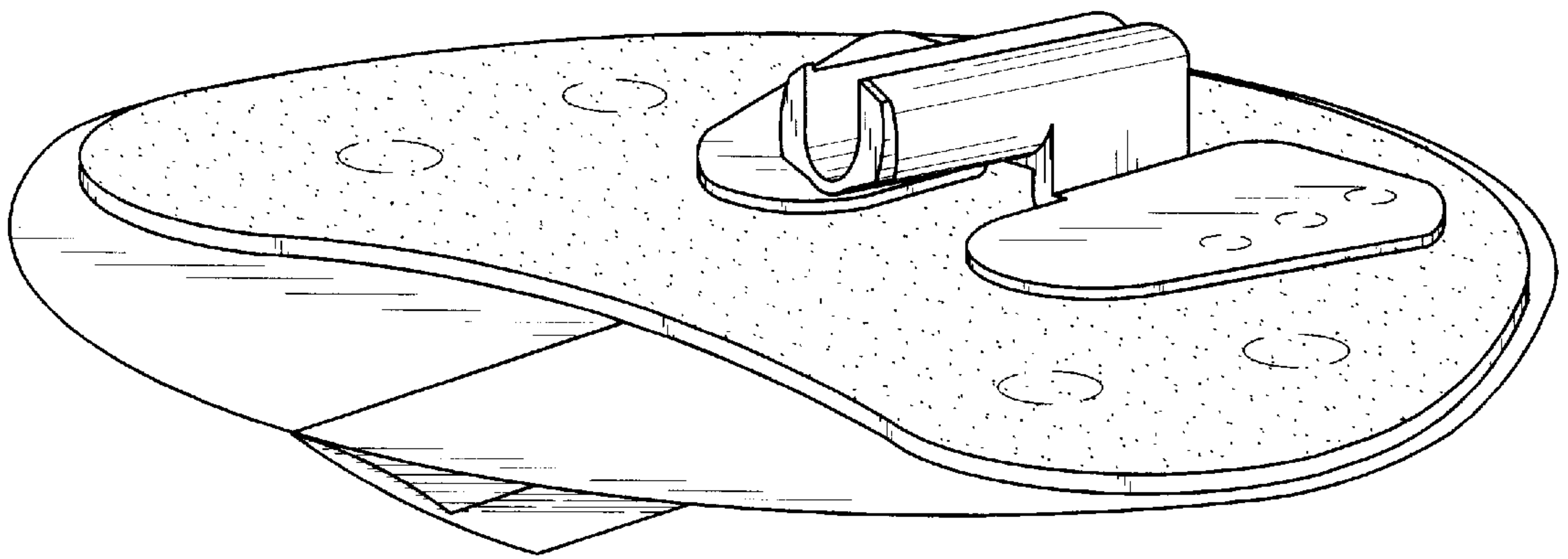


FIG. 1

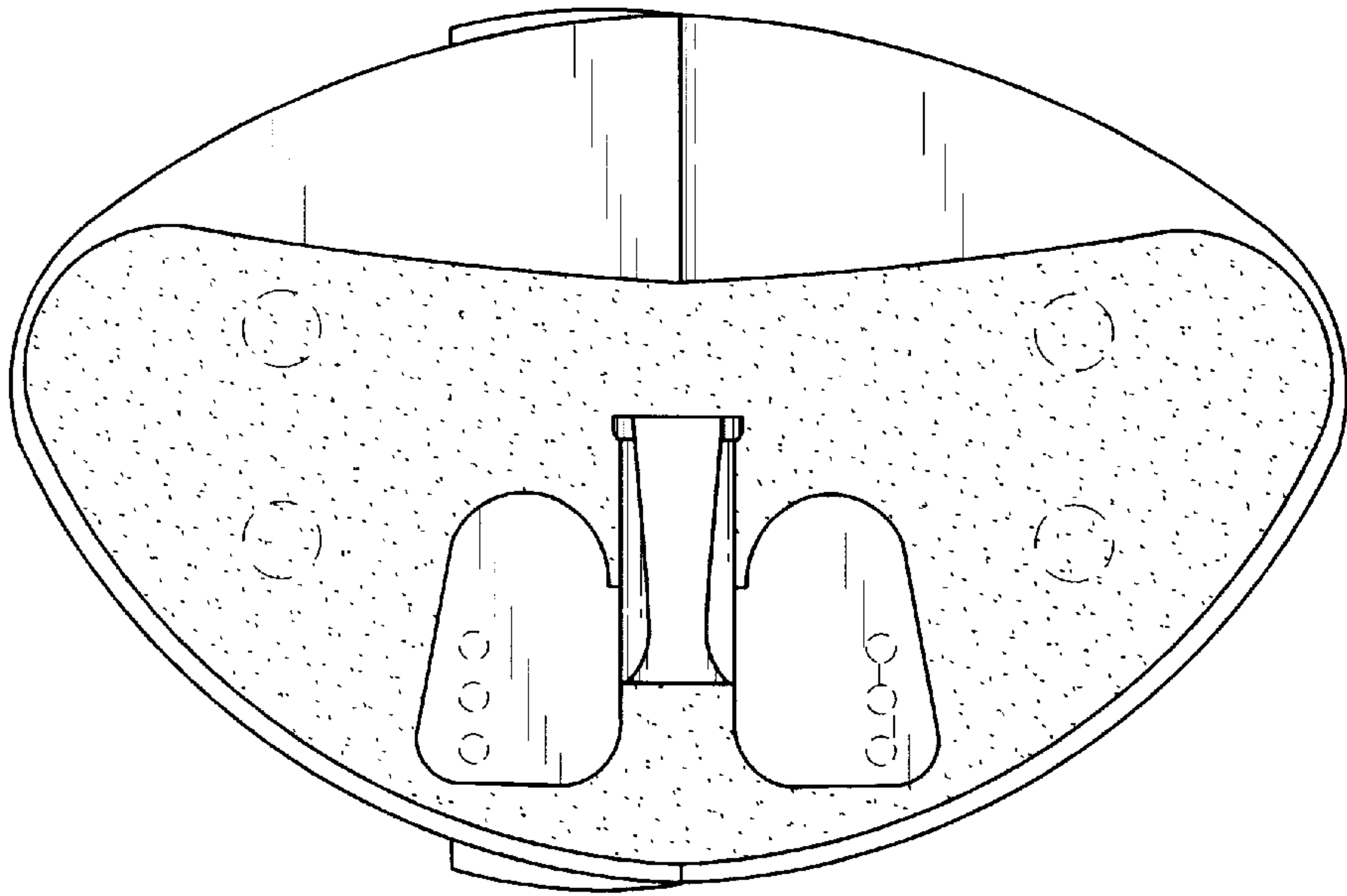


FIG. 2

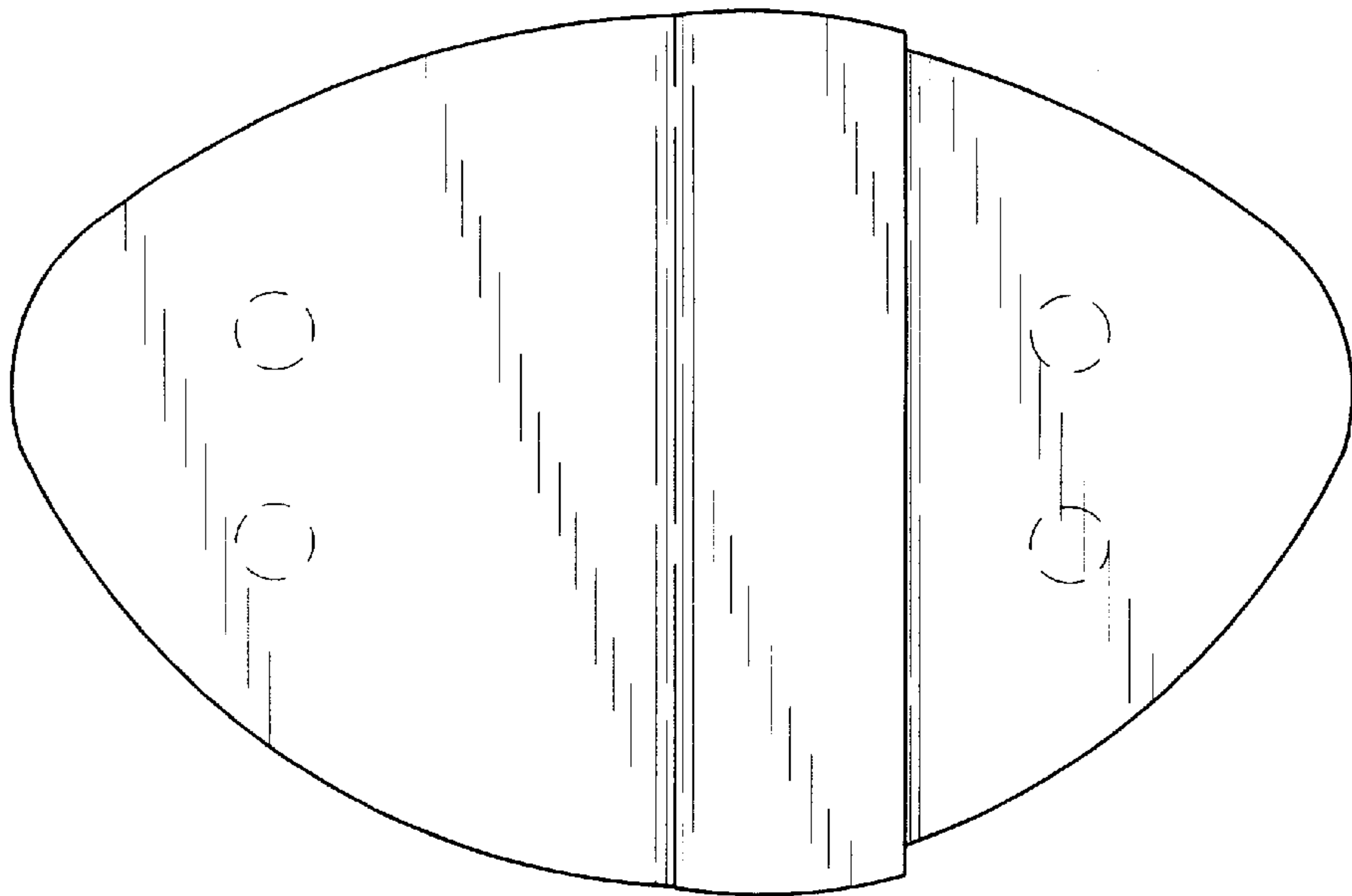


FIG. 3

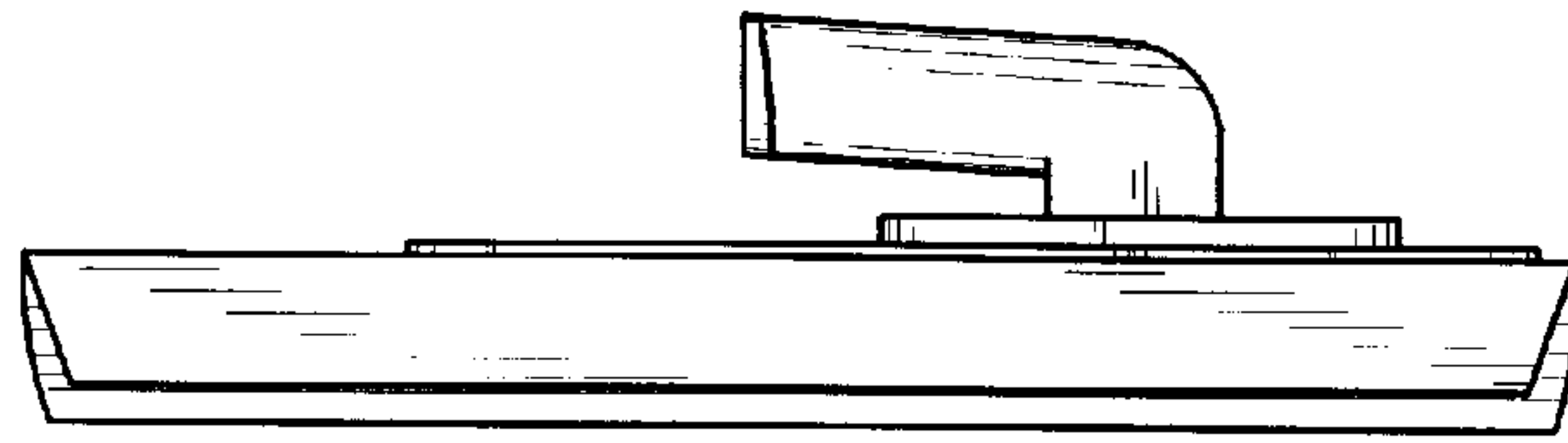


FIG. 4

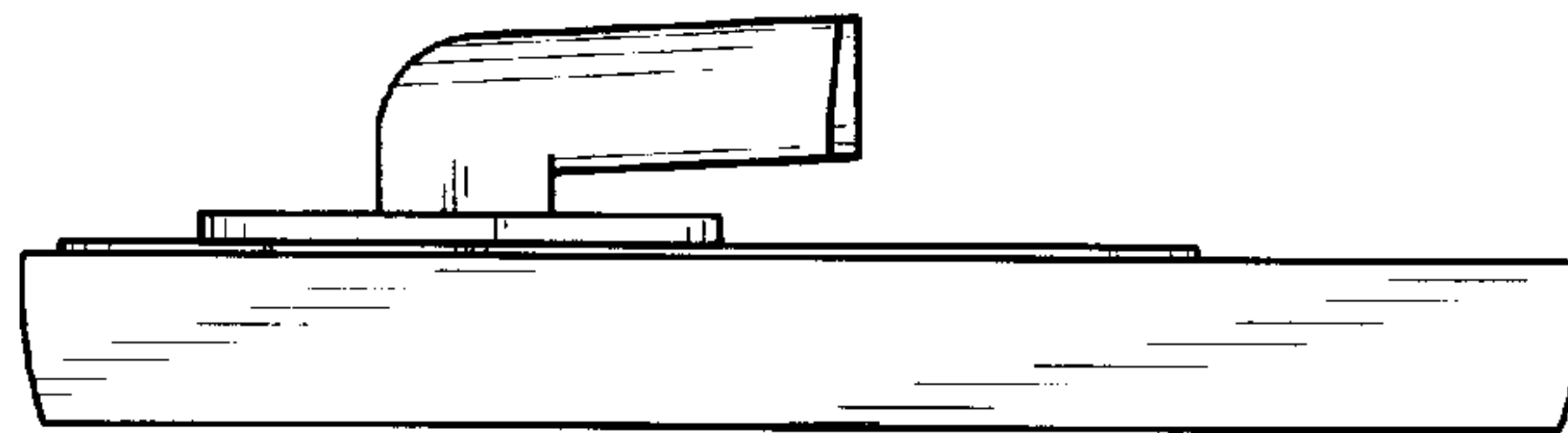


FIG. 5

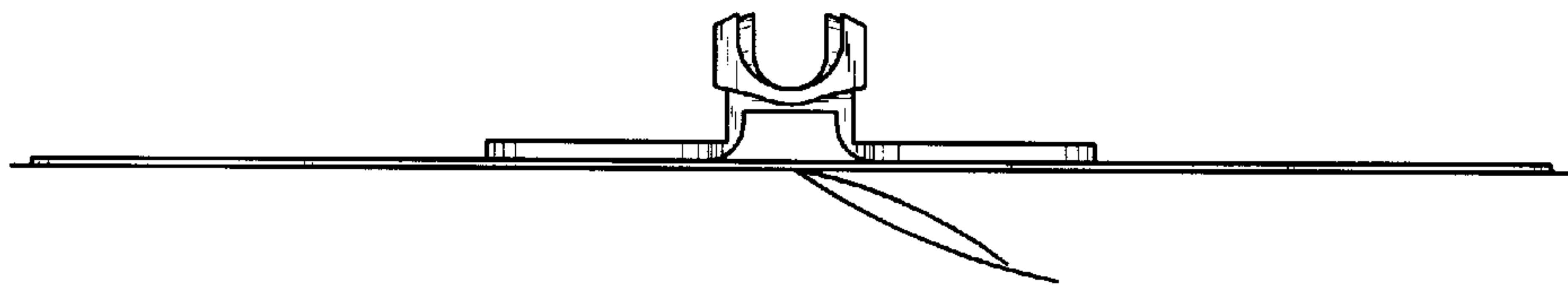


FIG. 6

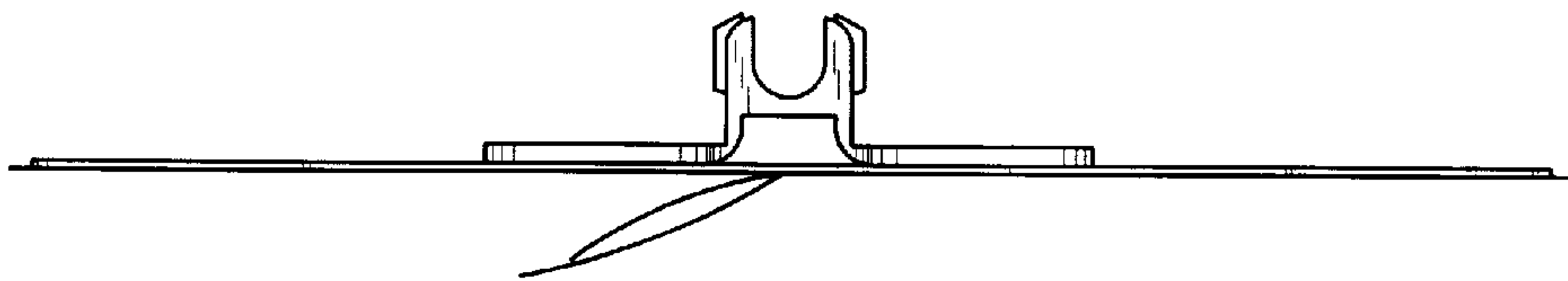


FIG. 7