



US00D425618S

# United States Patent [19]

Niermann et al.

[11] Patent Number: Des. 425,618

[45] Date of Patent: \*\* May 23, 2000

[54] SPECIMEN COLLECTION DEVICE

[75] Inventors: Volker Niermann, Little Falls; Robert S. Golabek, Jr., Towaco; Bradley Mark Wilkinson, North Haledon, all of N.J.

[73] Assignee: Becton, Dickinson and Company, Franklin Lakes, N.J.

[\*\*] Term: 14 Years

[21] Appl. No.: 29/109,001

[22] Filed: Aug. 6, 1999

[51] LOC (7) Cl. .... 24-04

[52] U.S. Cl. .... D24/122; D24/216; D24/224

[58] Field of Search ..... D24/121, 122, D24/123, 128, 224, 210, 162; 600/573, 574, 576, 577, 575; 604/317, 318, 319, 326, 331, 349, 346; D23/302; 4/612, 614, 663, 613, 664; 422/102, 58, 61

|           |         |                        |         |
|-----------|---------|------------------------|---------|
| 4,741,346 | 5/1988  | Wong et al. ....       | 600/573 |
| 4,761,379 | 8/1988  | Williams et al. ....   | 435/296 |
| 4,769,215 | 9/1988  | Ehrenkranz ....        | 422/58  |
| 4,895,167 | 1/1990  | Guala ....             | 128/760 |
| 4,920,975 | 5/1990  | Fay ....               | 600/573 |
| 5,069,878 | 12/1991 | Ehrenkranz ....        | 422/61  |
| 5,147,342 | 9/1992  | Kane et al. ....       | 604/356 |
| 5,251,639 | 10/1993 | Rentsch ....           | 128/761 |
| 5,422,076 | 6/1995  | Jones ....             | 422/102 |
| 5,569,225 | 10/1996 | Fleury ....            | 604/323 |
| 5,797,855 | 8/1998  | Hazard et al. ....     | 600/513 |
| 5,849,505 | 12/1909 | Guirguis ....          | 435/7.2 |
| 5,893,176 | 4/1999  | Magiera et al. ....    | 4/144.4 |
| 5,894,607 | 4/1999  | Van Den Burg ....      | 4/144.2 |
| 5,894,608 | 4/1999  | Birbara ....           | 4/144.3 |
| 5,897,840 | 4/1999  | Owens, Jr. et al. .... | 422/102 |

Primary Examiner—Stella Reid  
Assistant Examiner—I Simmons  
Attorney, Agent, or Firm—Keith J. McWha

### [57] CLAIM

The ornamental design for a specimen collection device, as shown and described.

### [56] References Cited

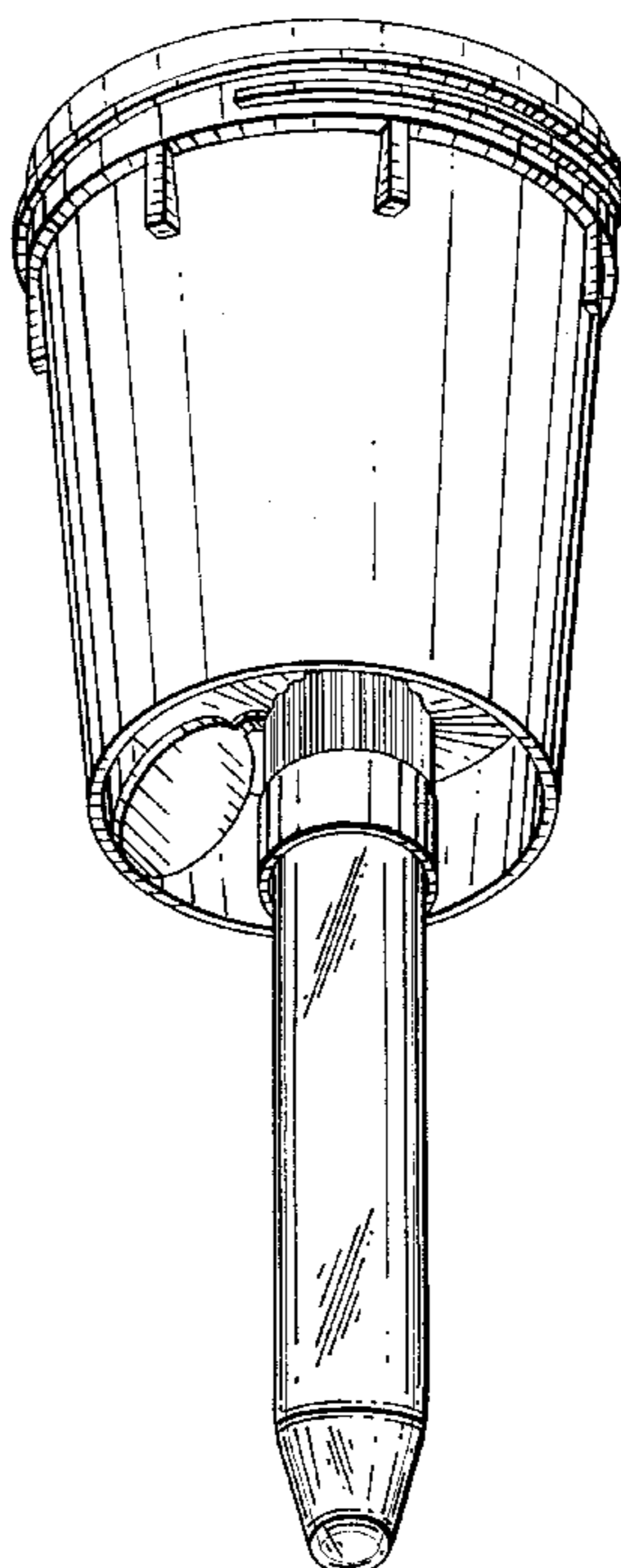
#### U.S. PATENT DOCUMENTS

|            |         |                          |           |
|------------|---------|--------------------------|-----------|
| D. 338,874 | 8/1993  | Lewandowski et al. ....  | D24/122   |
| 3,750,647  | 8/1973  | Gleason et al. ....      | 128/2 F   |
| 3,923,040  | 12/1975 | Beach ....               | 600/573   |
| 4,026,433  | 5/1977  | Crippa ....              | 600/573 X |
| 4,106,490  | 8/1978  | Spilman et al. ....      | 128/2 F   |
| 4,116,066  | 9/1978  | Mehl et al. ....         | 73/421 R  |
| 4,121,306  | 10/1978 | Bringman et al. ....     | 4/144.2   |
| 4,258,032  | 3/1981  | Mehl ....                | 424/148   |
| 4,300,404  | 11/1981 | Mehl et al. ....         | 73/863.52 |
| 4,331,162  | 5/1982  | Kuntz et al. ....        | 600/574   |
| 4,335,730  | 6/1982  | Griffin ....             | 128/760   |
| 4,393,881  | 7/1983  | Shah ....                | 128/760   |
| 4,492,258  | 1/1985  | Lichtenstein et al. .... | 141/1     |

### DESCRIPTION

FIG. 1 is a perspective view of a specimen collection device, showing our design;  
FIG. 2 is a bottom perspective view of the device of FIG. 1;  
FIG. 3 is a top-plan view of the device of FIG. 1;  
FIG. 4 is a front elevational view of the device of FIG. 1;  
FIG. 5 is a right-side elevational view of the device of FIG. 1;  
FIG. 6 is a left-side elevational view of the device of FIG. 1;  
FIG. 7 is a rear elevational view of the device of FIG. 1; and,  
FIG. 8 is a bottom-plan view of the device of FIG. 1.

1 Claim, 4 Drawing Sheets



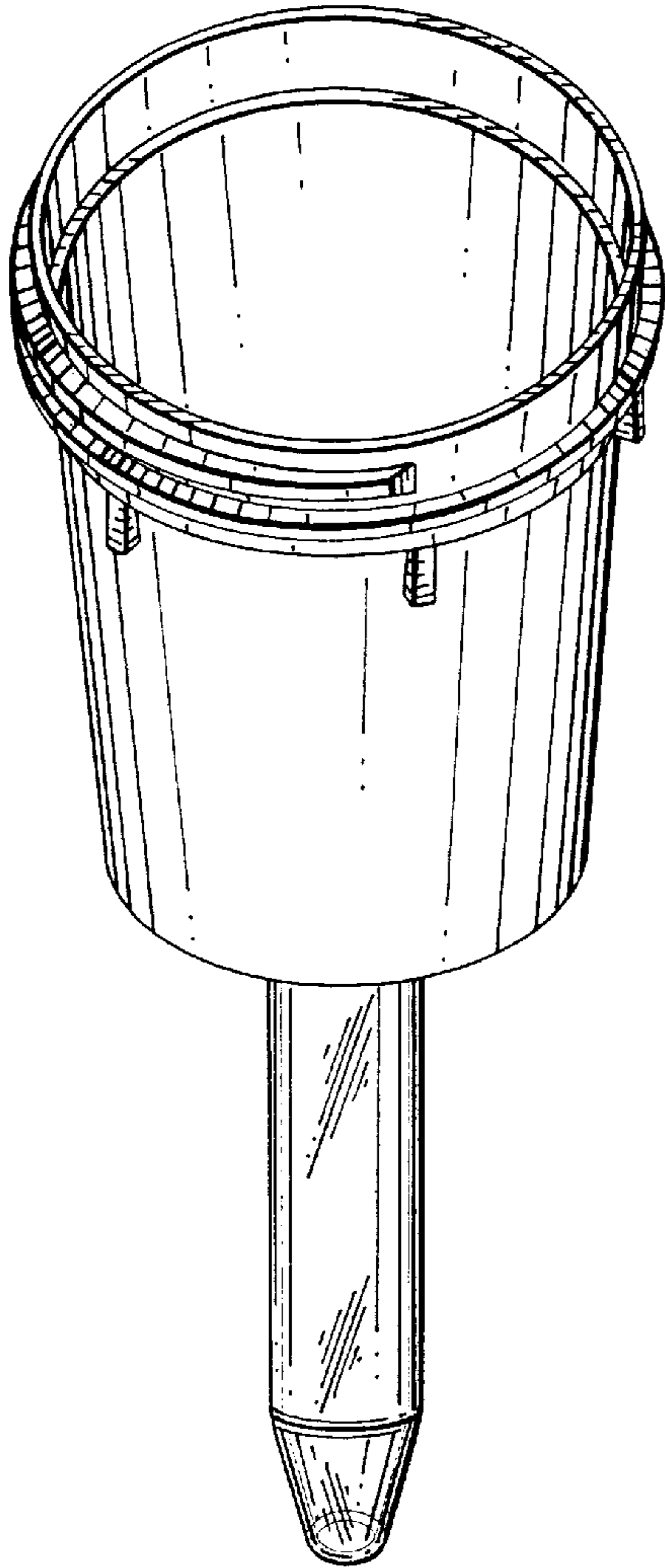


FIG. 1

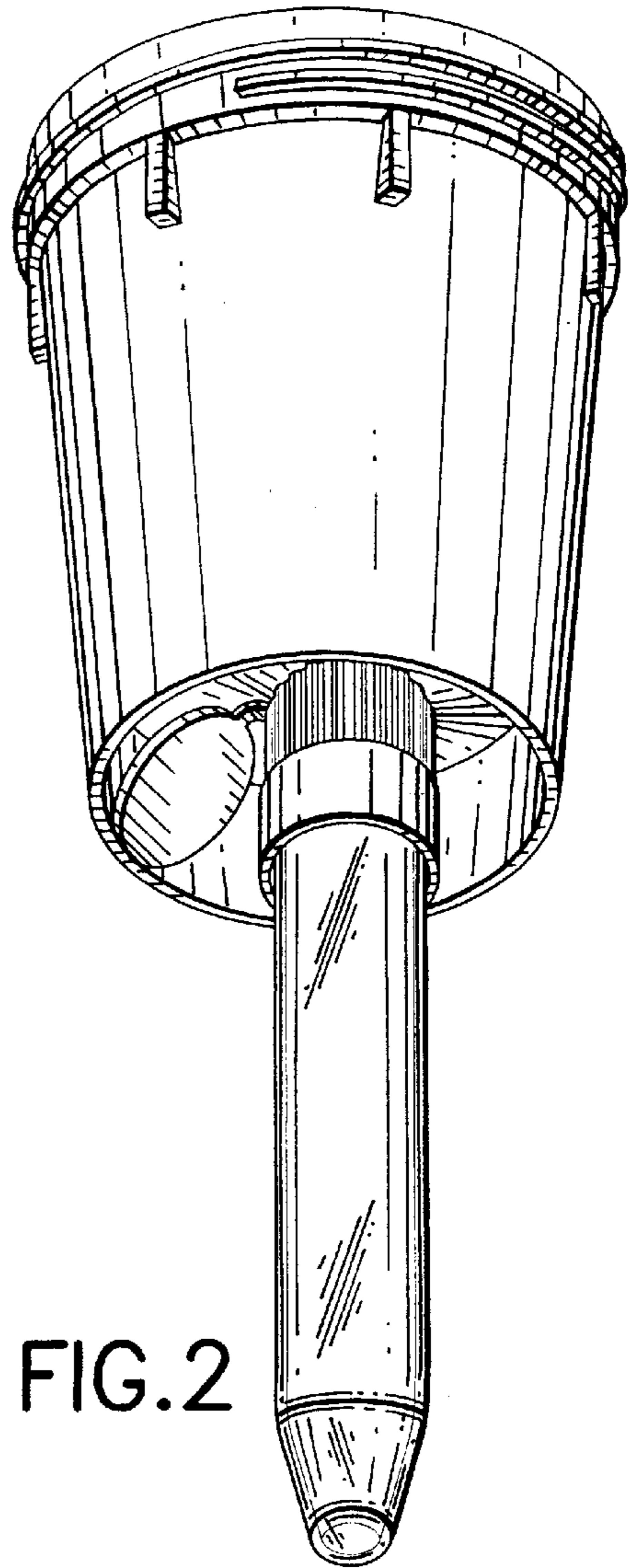


FIG. 2

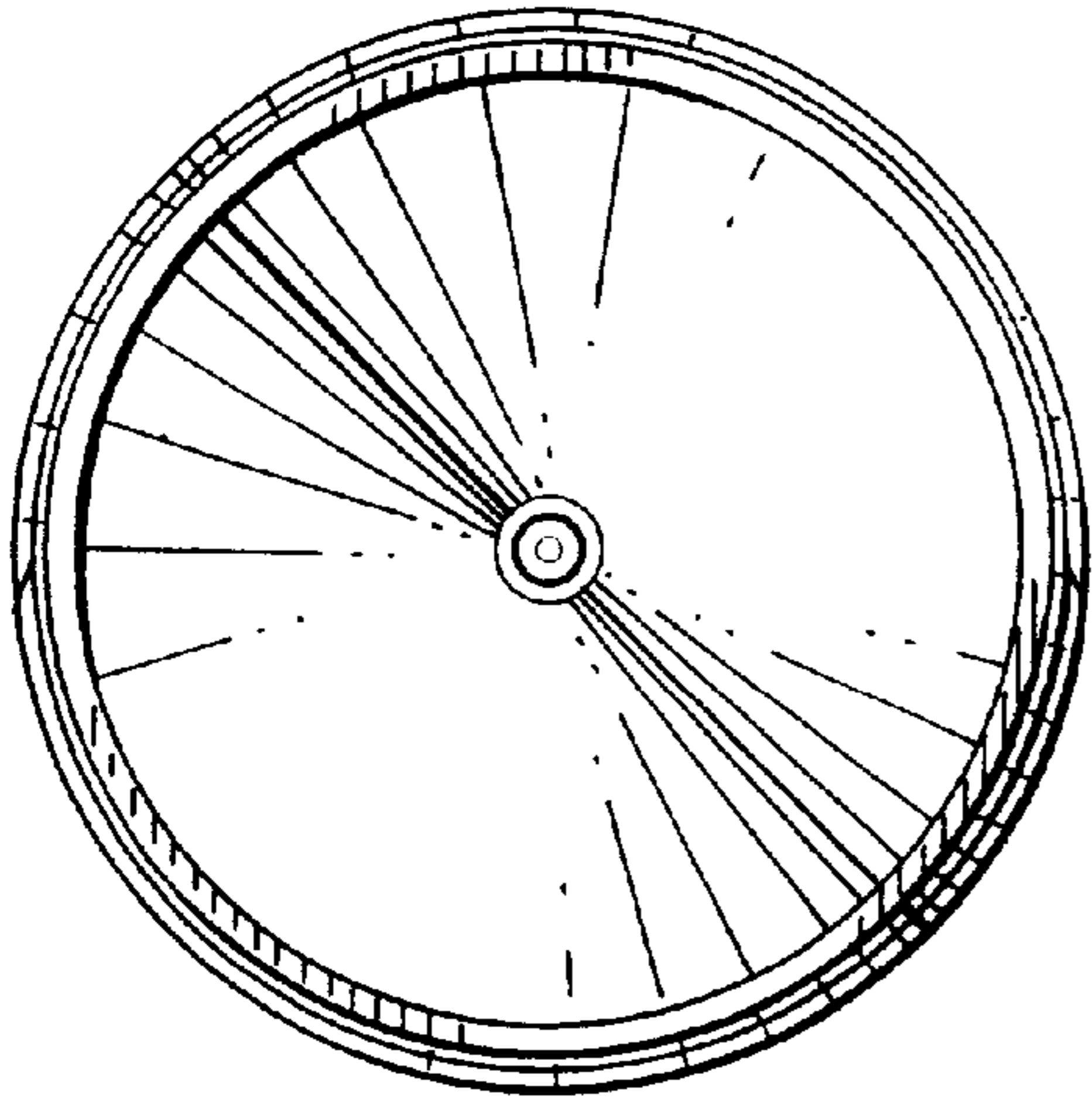


FIG. 3

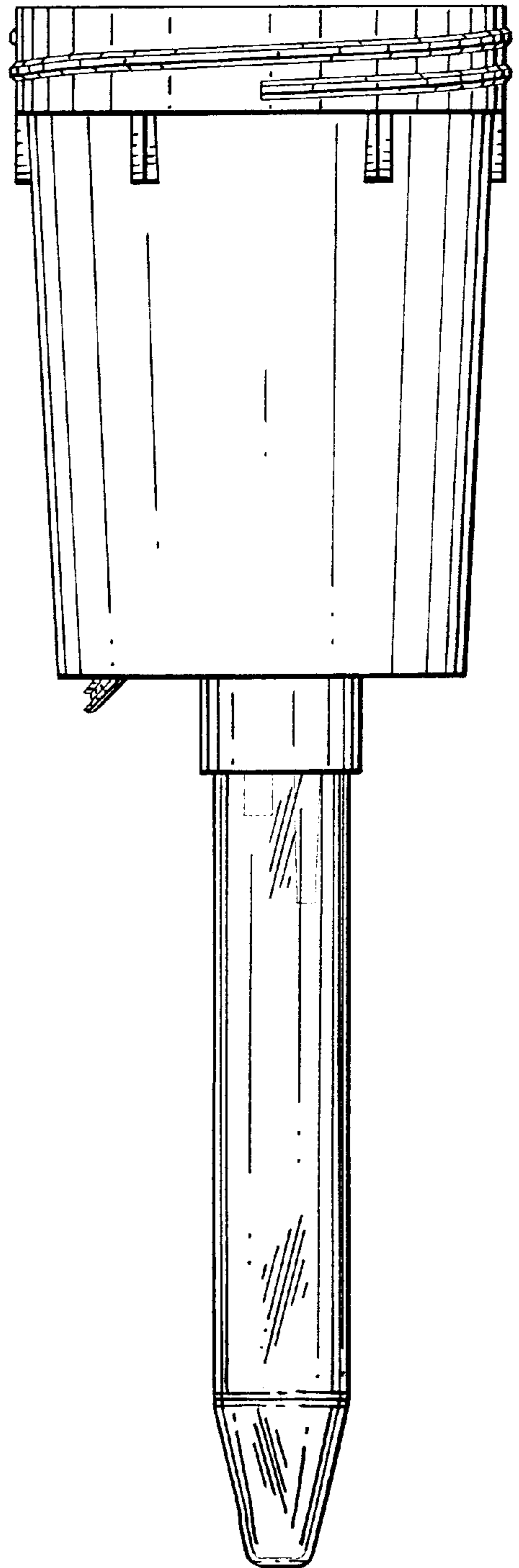


FIG. 4

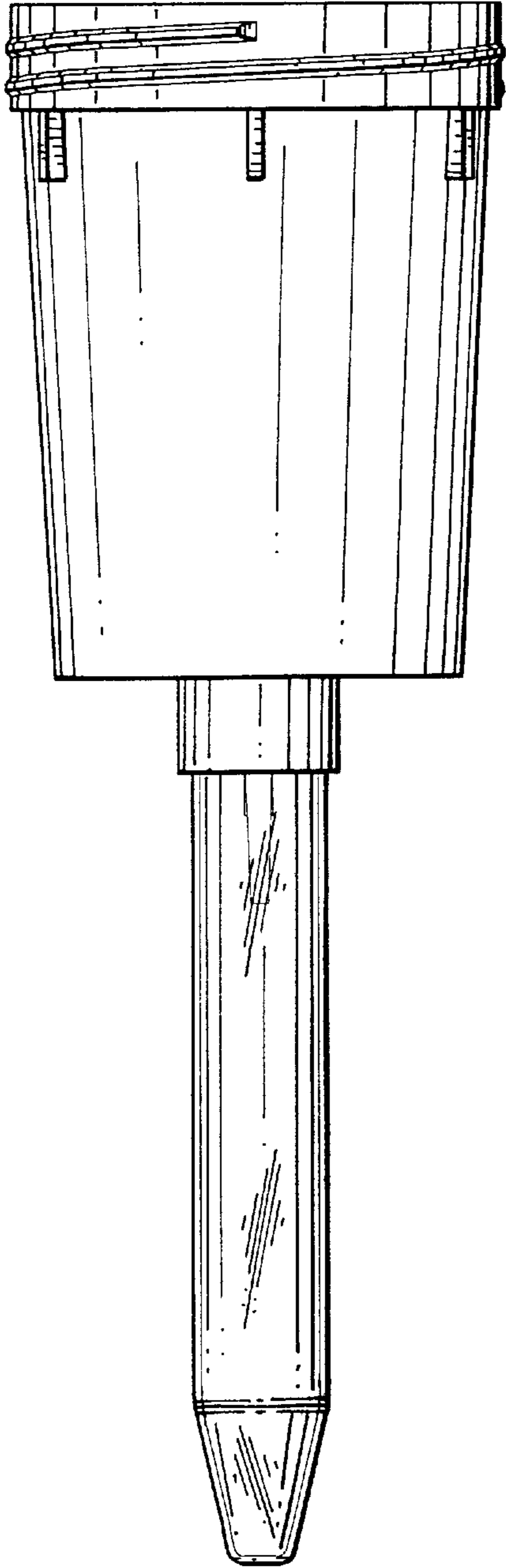


FIG. 5

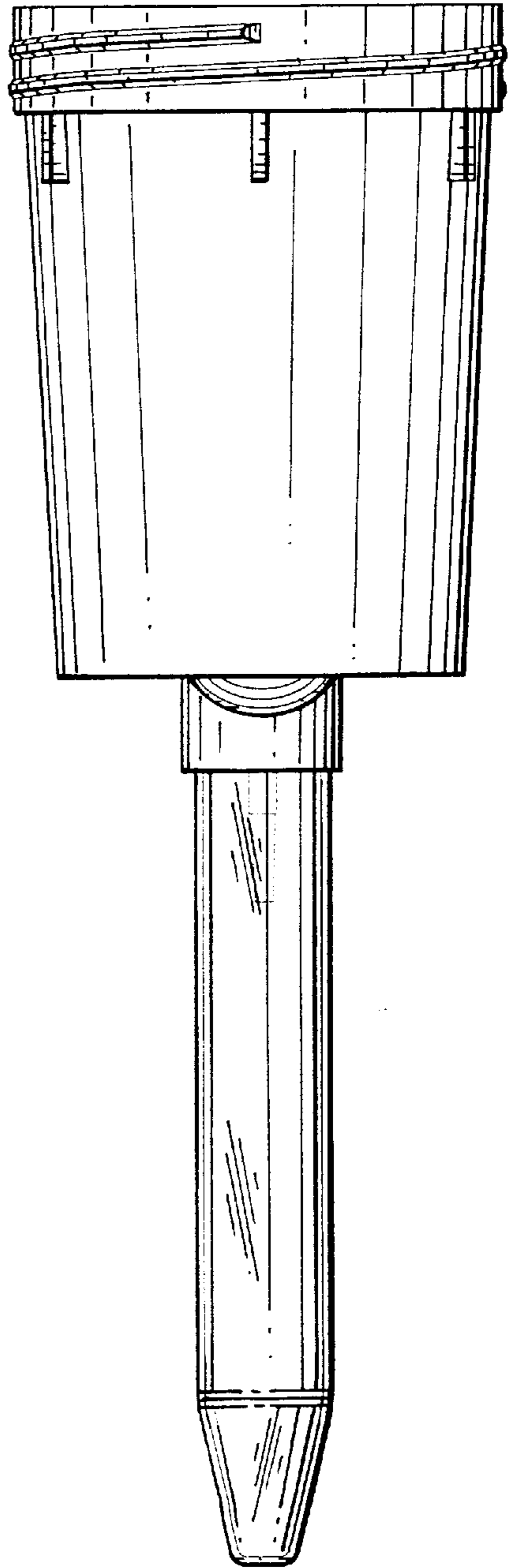


FIG. 6

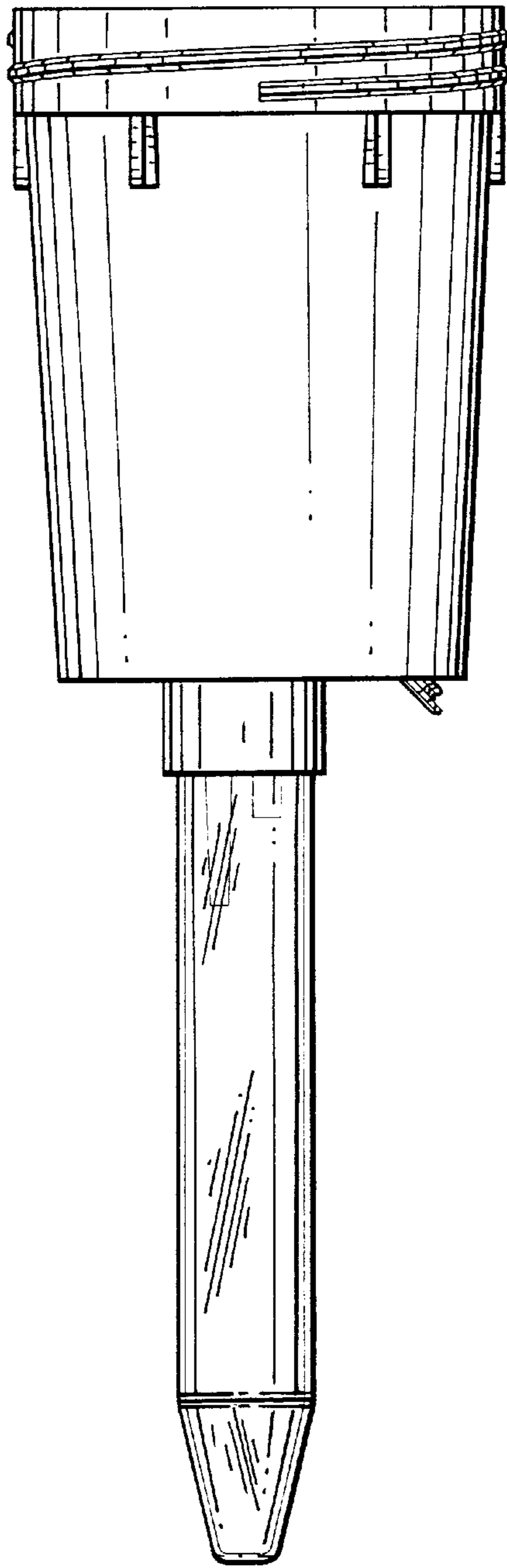


FIG. 7

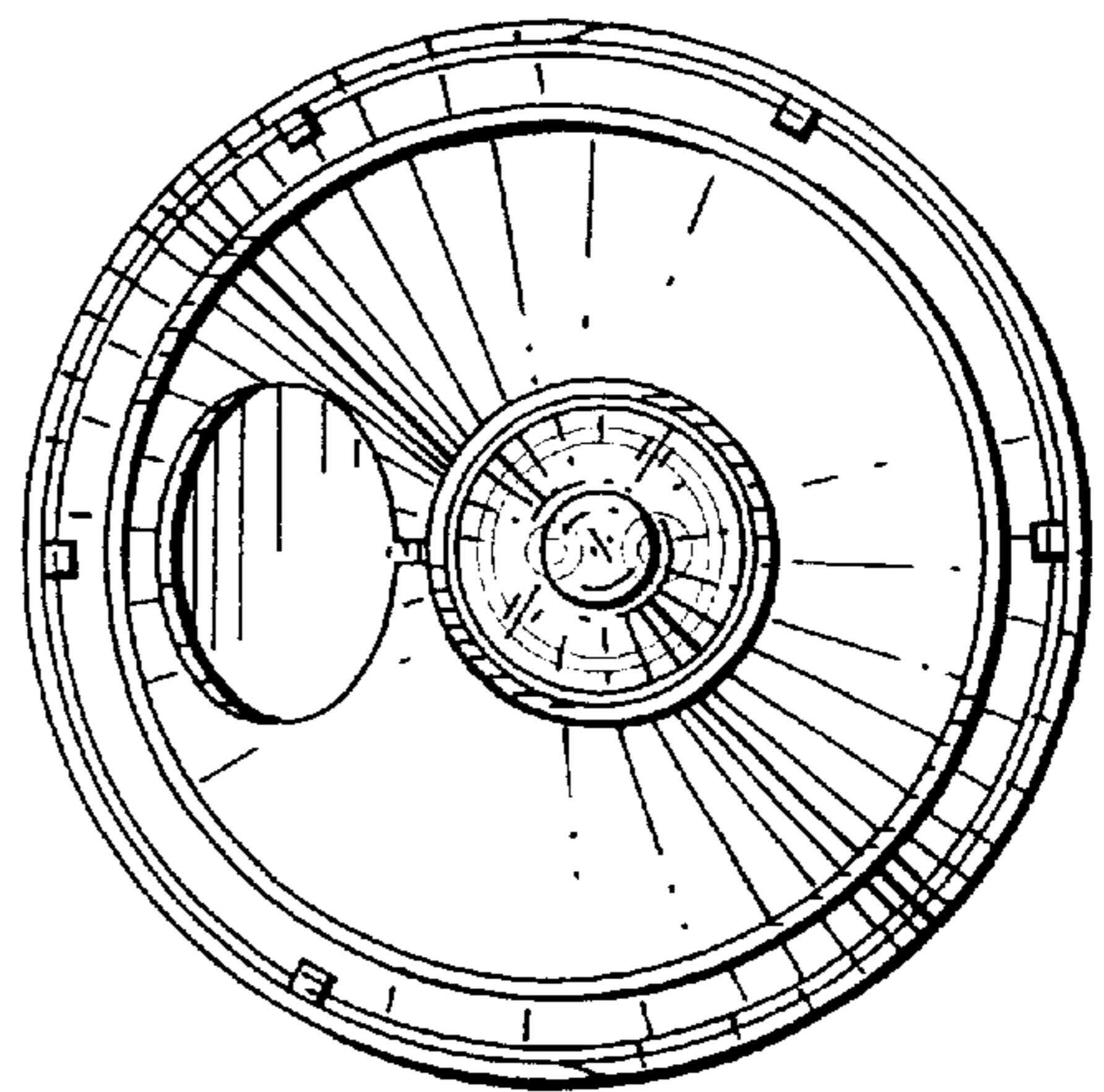


FIG. 8