



US00D425615S

United States Patent [19]

Bachman et al.

[11] Patent Number: **Des. 425,615**

[45] Date of Patent: **** May 23, 2000**

[54] **ORAL IRRIGATOR COVER**

[75] Inventors: **Timothy A. Bachman**, Fort Collins;
Tana Clare, Thornton, both of Colo.;
Andrew Serbinski, Annandale, N.J.

[73] Assignee: **Teledyne Industries, Inc.**, Fort Collins,
Colo.

[**] Term: **14 Years**

[21] Appl. No.: **29/098,140**

[22] Filed: **Dec. 18, 1998**

[51] **LOC (7) Cl.** **24-02**

[52] **U.S. Cl.** **D24/111**

[58] **Field of Search** D24/111, 152,
D24/176; 433/88, 80, 85, 81, 82, 84; 601/160,
161, 162, 163, 164, 165

[56] **References Cited**

U.S. PATENT DOCUMENTS

D. 356,864	3/1995	Woog	D24/111
3,547,110	12/1970	Balamuth	.	
3,636,947	1/1972	Balamuth	.	
3,809,977	5/1974	Balamuth et al.	.	
4,109,650	8/1978	Peclard	601/162
4,215,476	8/1980	Armstrong	.	
4,219,618	8/1980	Leonard	.	
4,331,422	5/1982	Heyman	.	
4,412,823	11/1983	Sakai et al.	.	
4,454,866	6/1984	Fayen	601/162
4,803,974	2/1989	Powell	.	

4,906,187	3/1990	Amadera	.	
4,928,675	5/1990	Thornton	.	
5,029,576	7/1991	Evans, Sr.	601/162
5,086,756	2/1992	Powell	.	
5,246,367	9/1993	Ito et al.	.	
5,344,317	9/1994	Pächer et al.	.	
5,399,089	3/1995	Eichman et al.	433/80
5,616,028	4/1997	Häfele et al.	.	
5,697,784	12/1997	Häfele et al.	.	

OTHER PUBLICATIONS

WOOG® Product at a Glance Brochure, Home Dental Care System, WOOG ORAJET, at least as early as Dec. 18, 1998.

Primary Examiner—Stella Reid
Assistant Examiner—I Simmons
Attorney, Agent, or Firm—Holland & Hart LLP

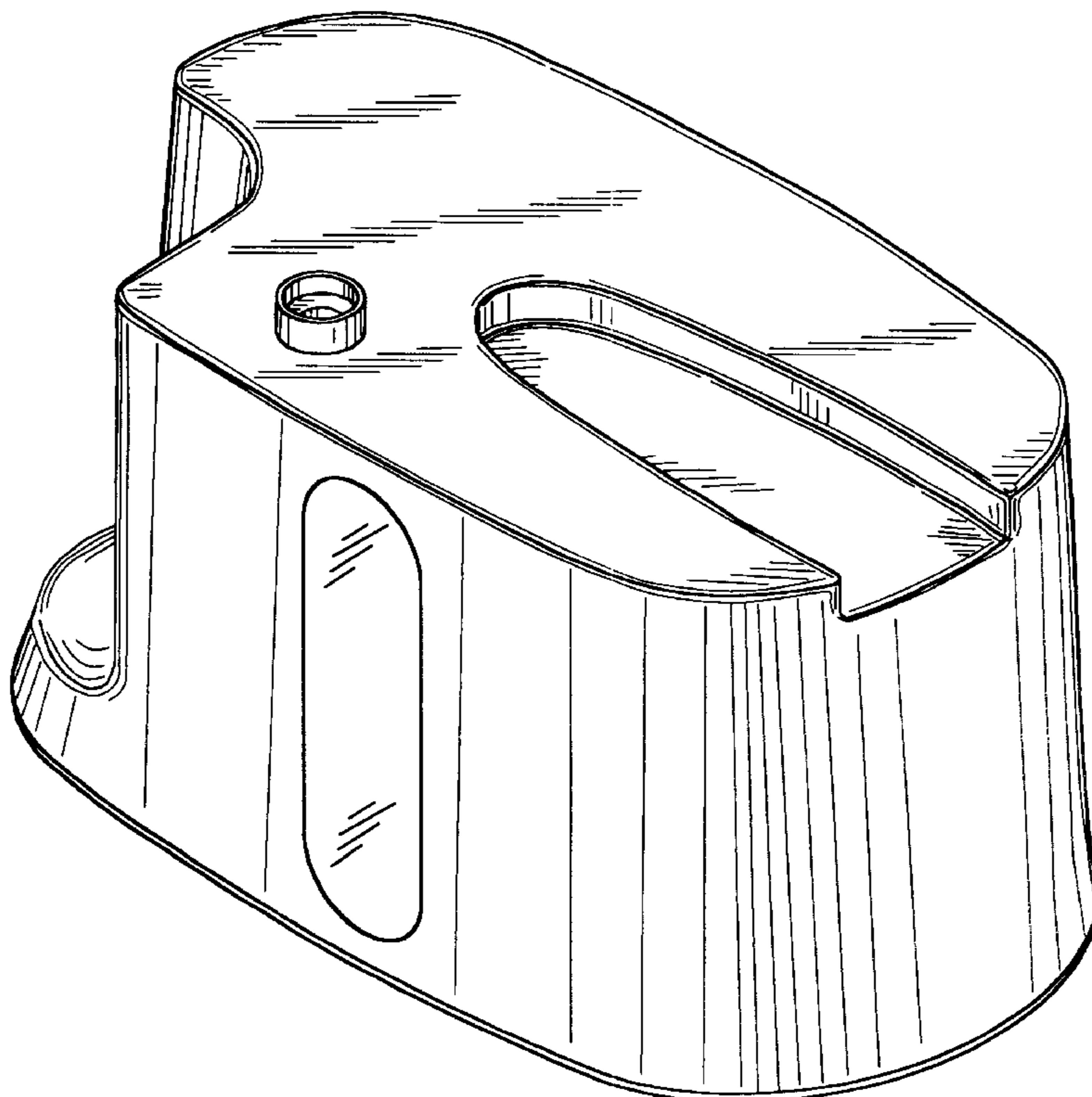
[57] **CLAIM**

The ornamental design for an oral irrigator cover, as shown and described.

DESCRIPTION

FIG. 1 is an isometric view of an oral irrigator cover showing our new design.
FIG. 2 is a top plan view thereof.
FIG. 3 is a front elevation view thereof.
FIG. 4 is a right side elevation view thereof.
FIG. 5 is a left side elevation view thereof.
FIG. 6 is a rear elevation view thereof; and,
FIG. 7 is a bottom plan view thereof.

1 Claim, 4 Drawing Sheets



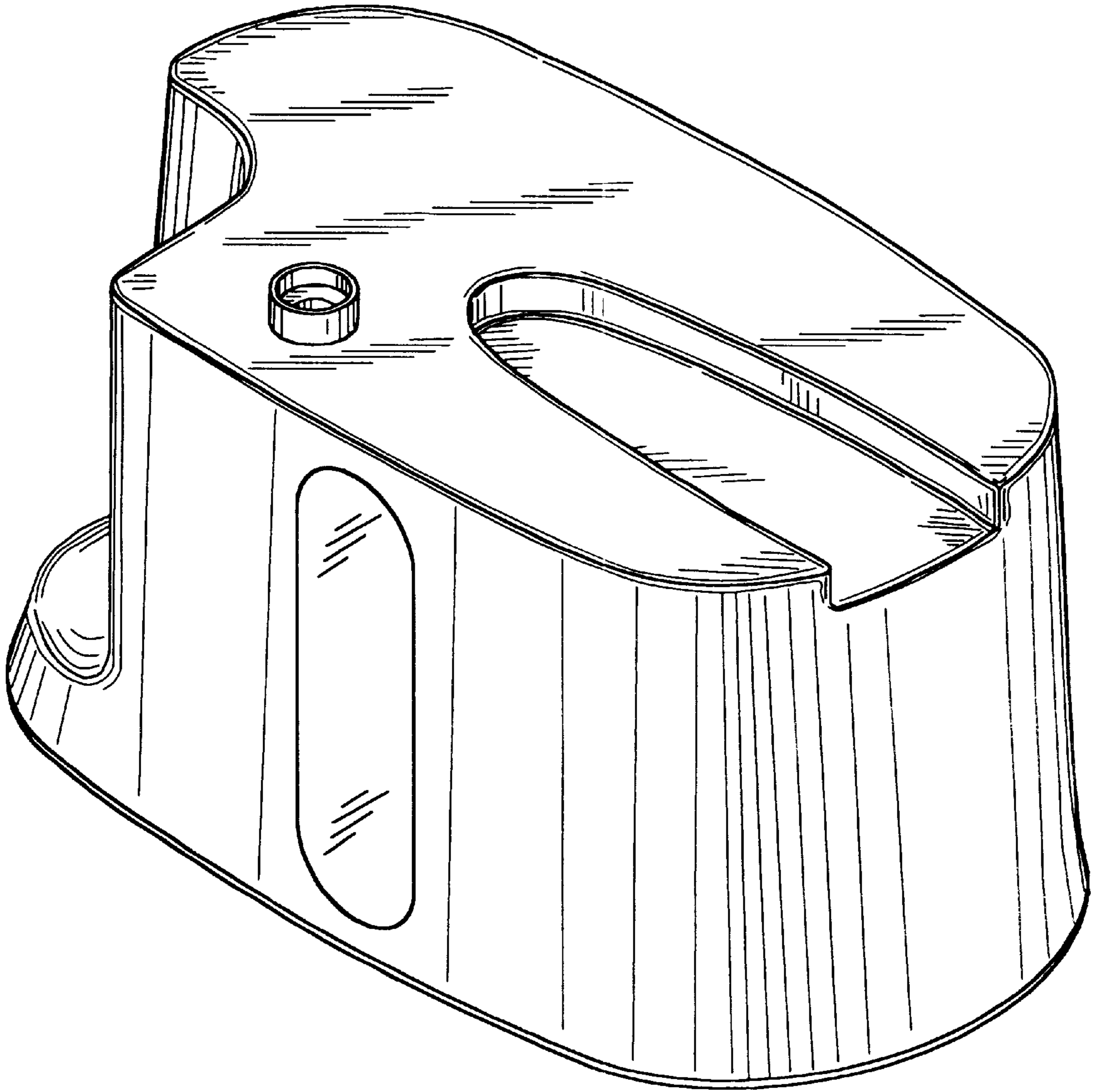


Fig. 1

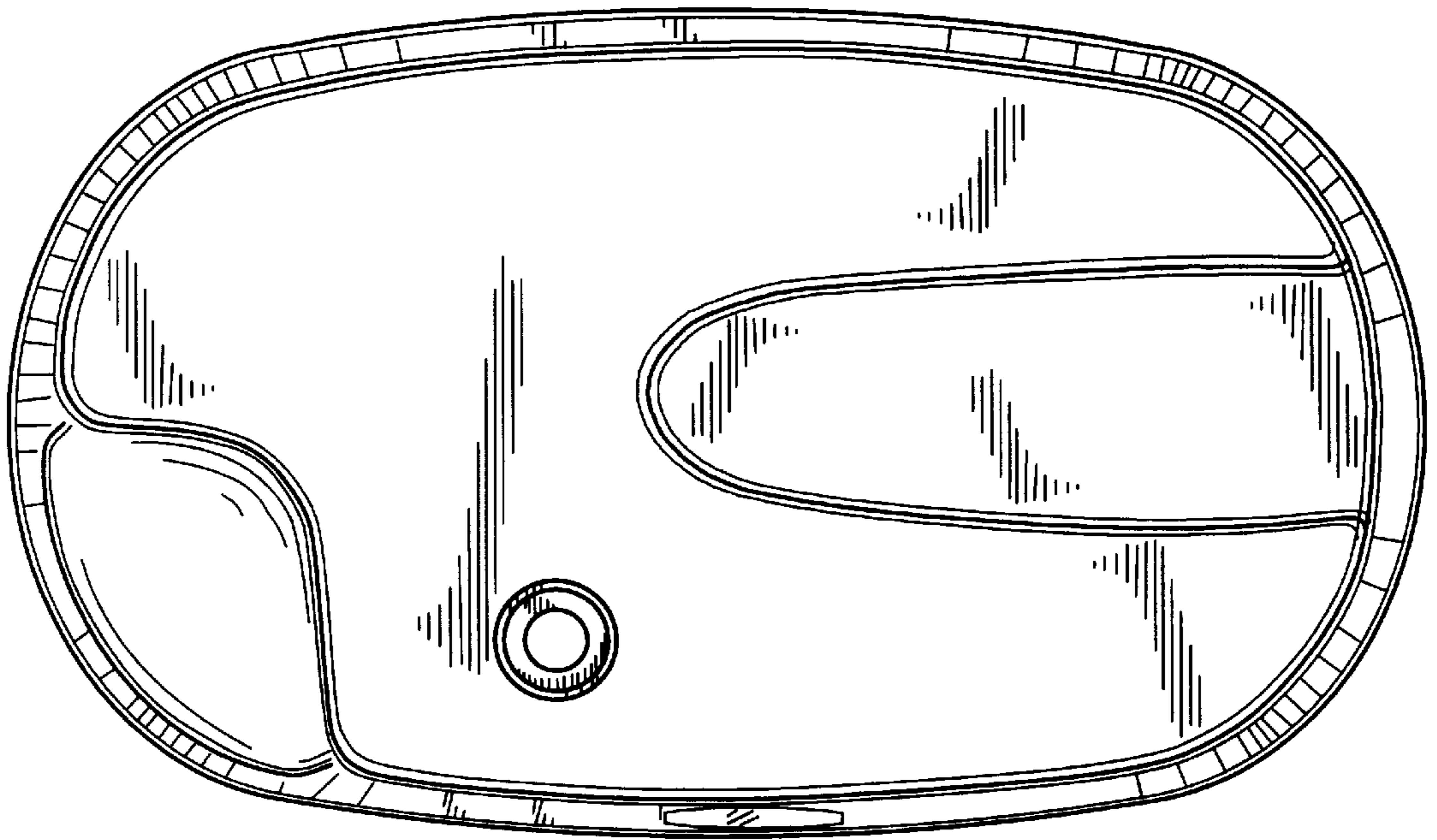


Fig. 2

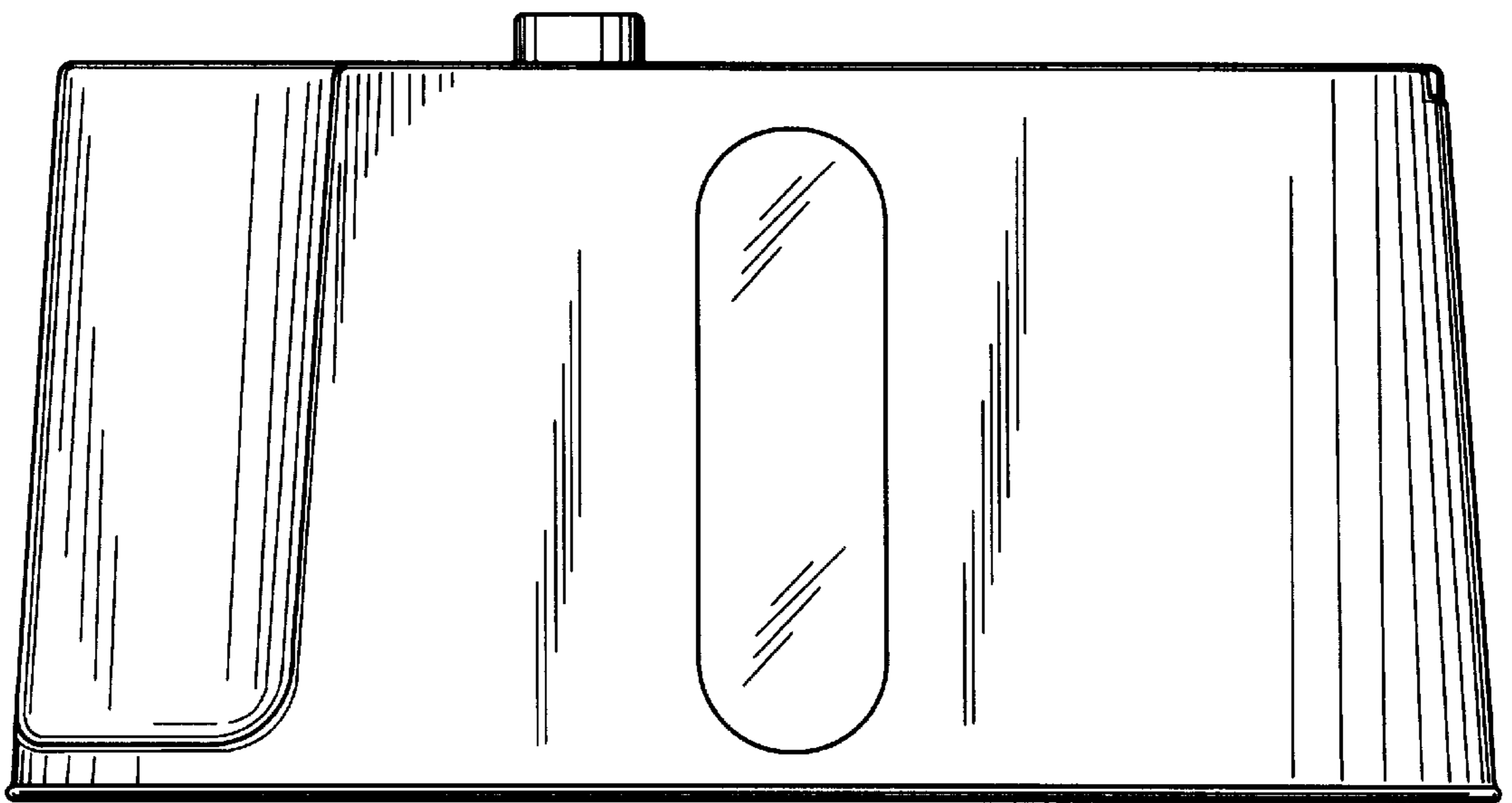


Fig. 3

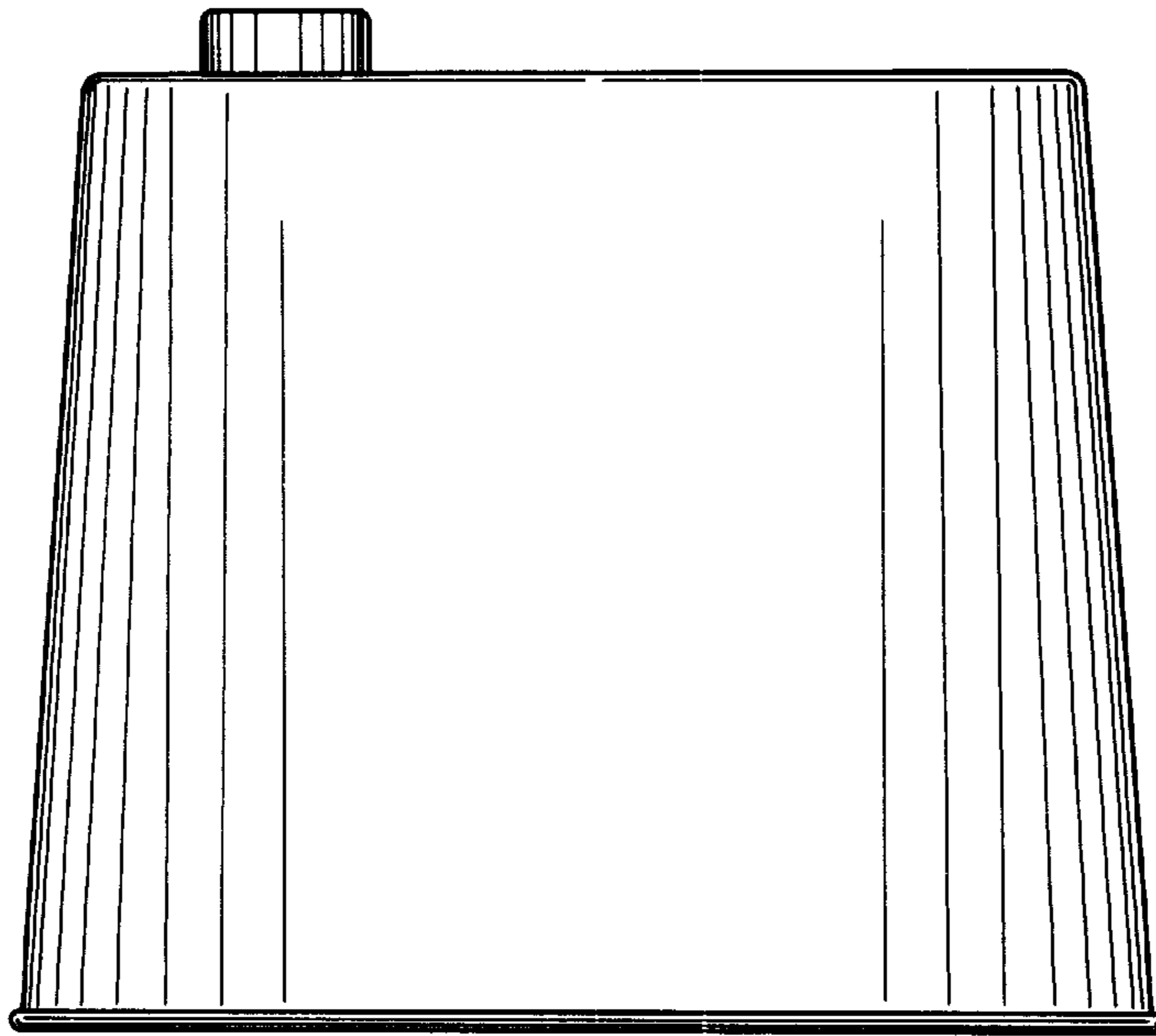


Fig. 4

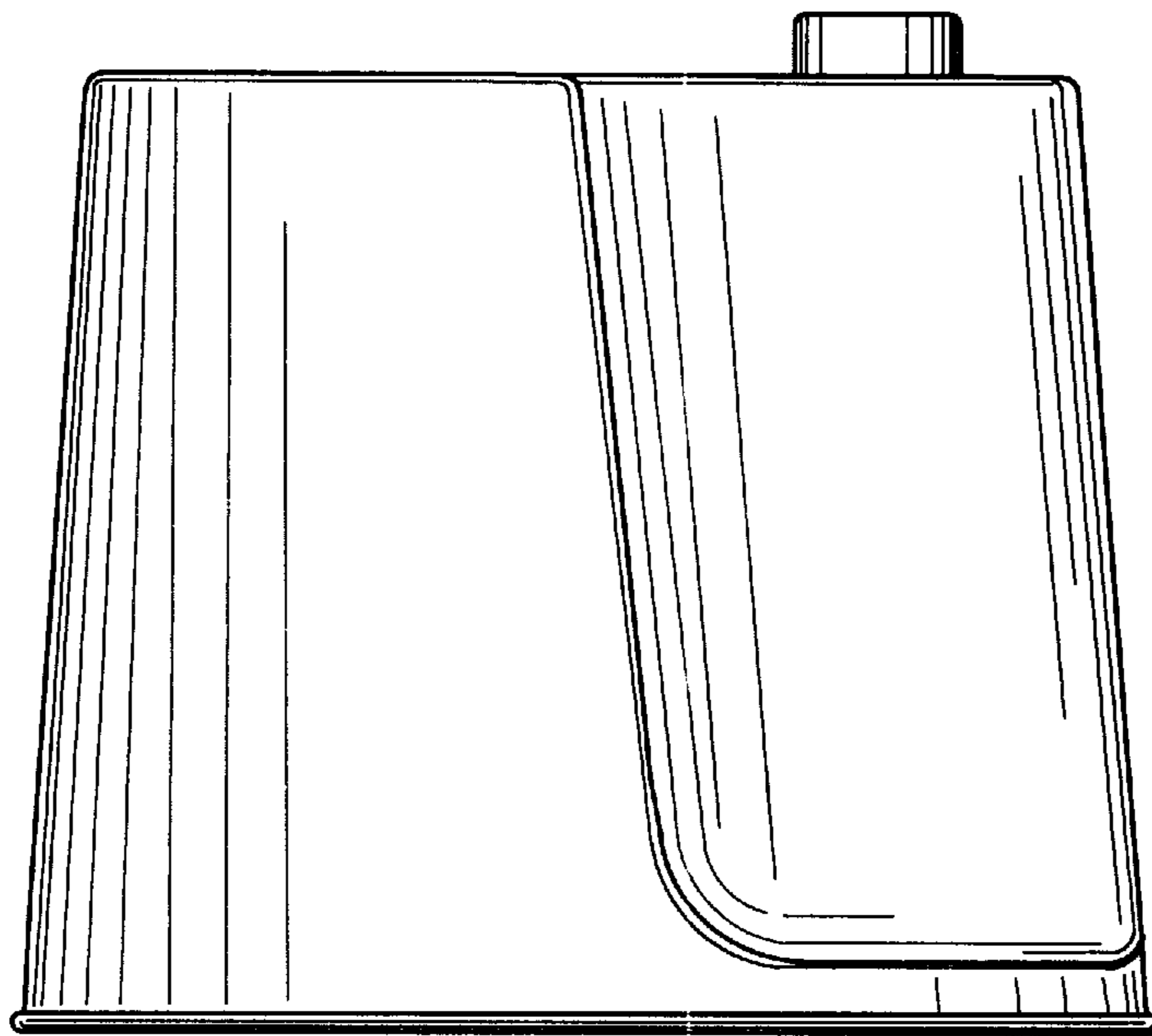


Fig. 5

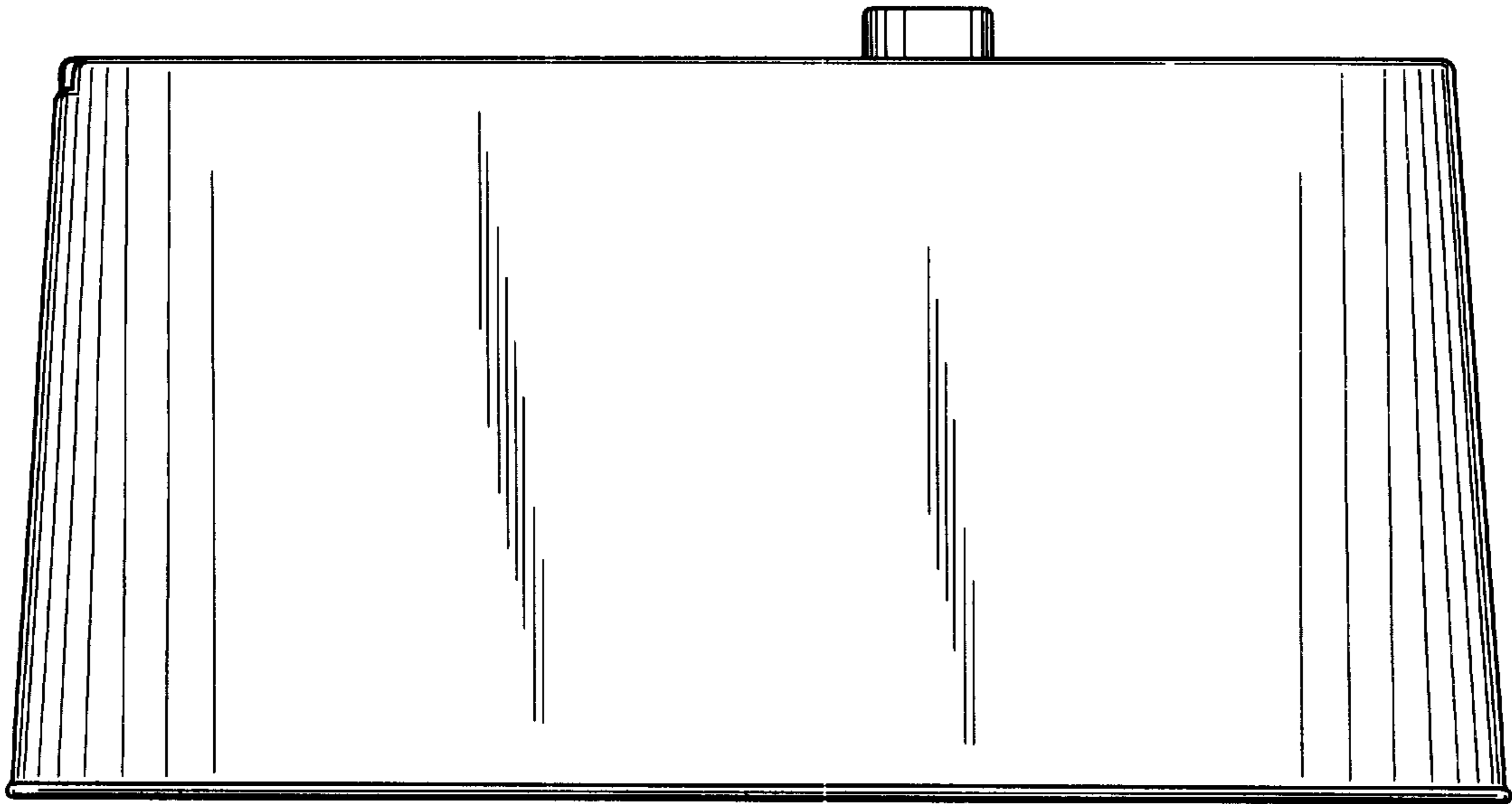


Fig. 6

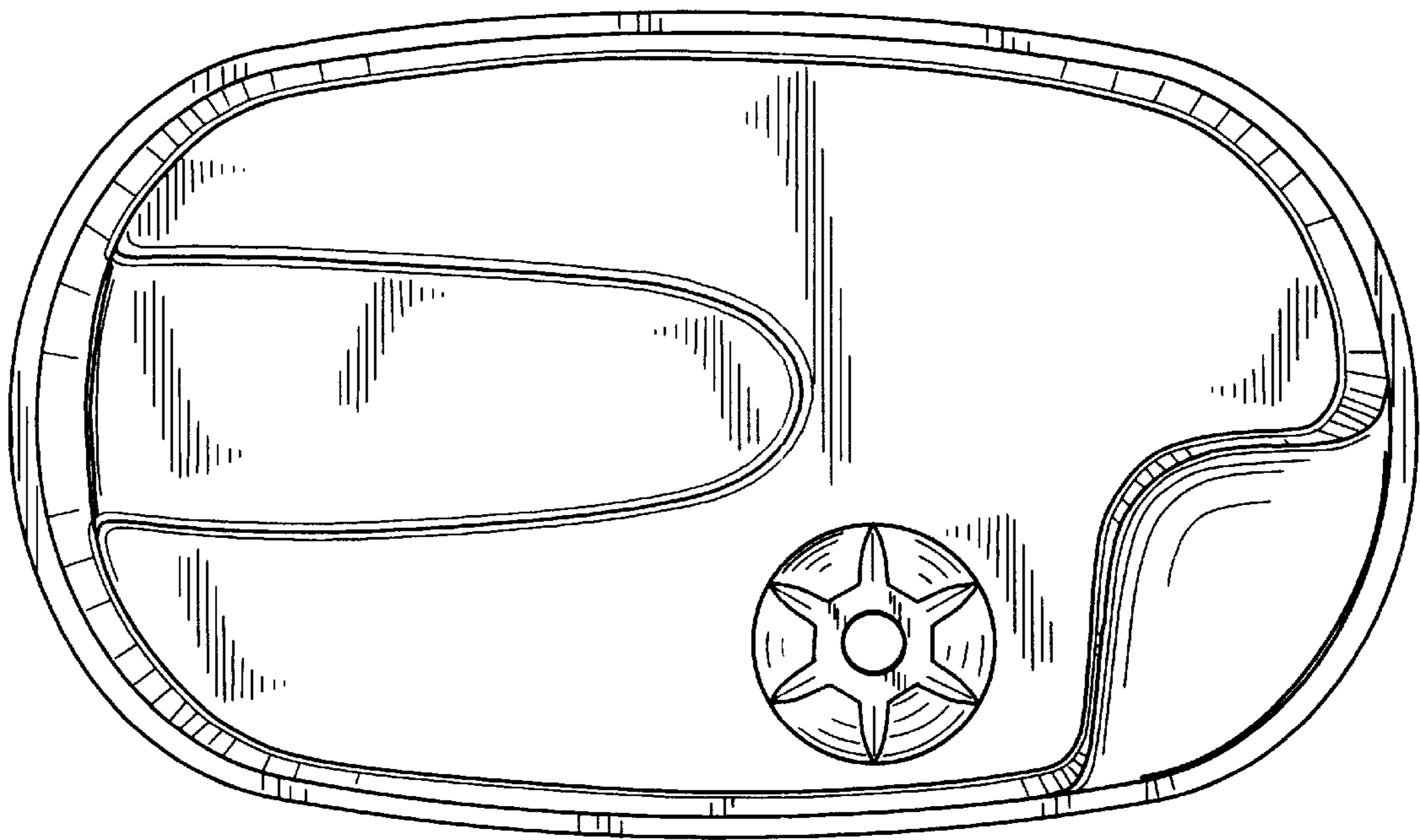


Fig. 7