



US00D425613S

United States Patent [19] Good

[11] **Patent Number: Des. 425,613**

[45] **Date of Patent: ** May 23, 2000**

[54] **SHEET STAINLESS STEEL FORMED
BURNER**

D. 228,766 10/1973 Stohrer D23/415
2,470,880 5/1949 Zimbelman et al. 239/556

[75] Inventor: **Robert Good**, Harrisonburg, Va.

Primary Examiner—Mitchell Siegel
Attorney, Agent, or Firm—Nixon & Vanderhye P.C.

[73] Assignee: **Shenandoah Manufacturing Co., Inc.**,
Harrisonburg, Va.

[57] **CLAIM**

[**] Term: **14 Years**

The ornamental design for a “sheet stainless steel formed burner,” as shown and described.

[21] Appl. No.: **29/104,747**

DESCRIPTION

[22] Filed: **May 11, 1999**

FIG. 1 is a bottom perspective view of the sheet stainless steel formed burner of the subject invention;

[51] **LOC (7) Cl.** **23-99**

FIG. 2 is a top perspective view thereof;

[52] **U.S. Cl.** **D23/415**

FIG. 3 is a top plan view thereof;

[58] **Field of Search** D23/415, 386;
239/556; D7/339, 340, 346

FIG. 4 is a side view thereof, the undisclosed sides being identical; and,

FIG. 5 is a bottom view thereof.

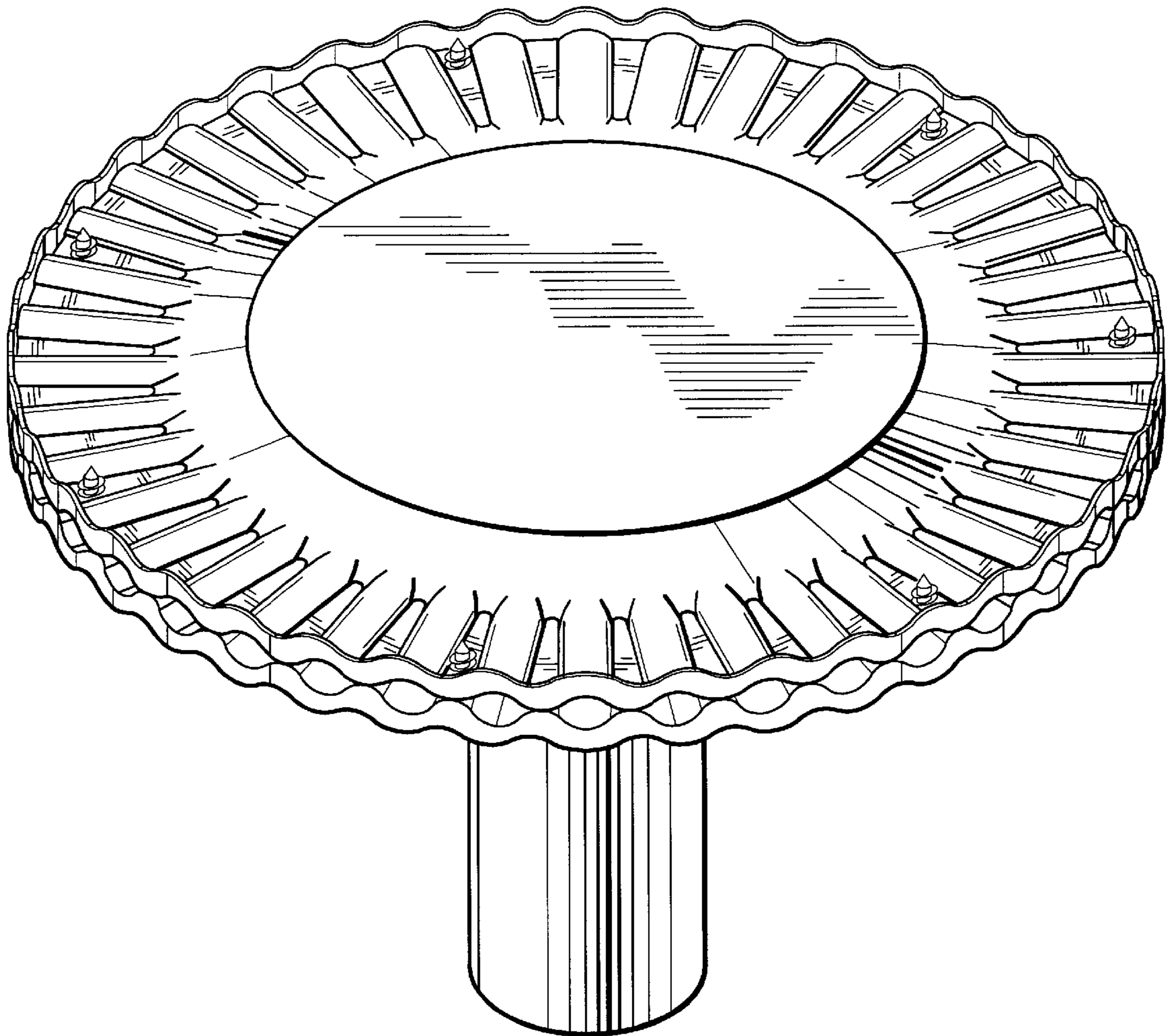
[56] **References Cited**

The broken line showing is for illustrative purposes only and forms no part of the claimed design.

U.S. PATENT DOCUMENTS

D. 54,949 4/1920 McKinnie D23/415

1 Claim, 5 Drawing Sheets



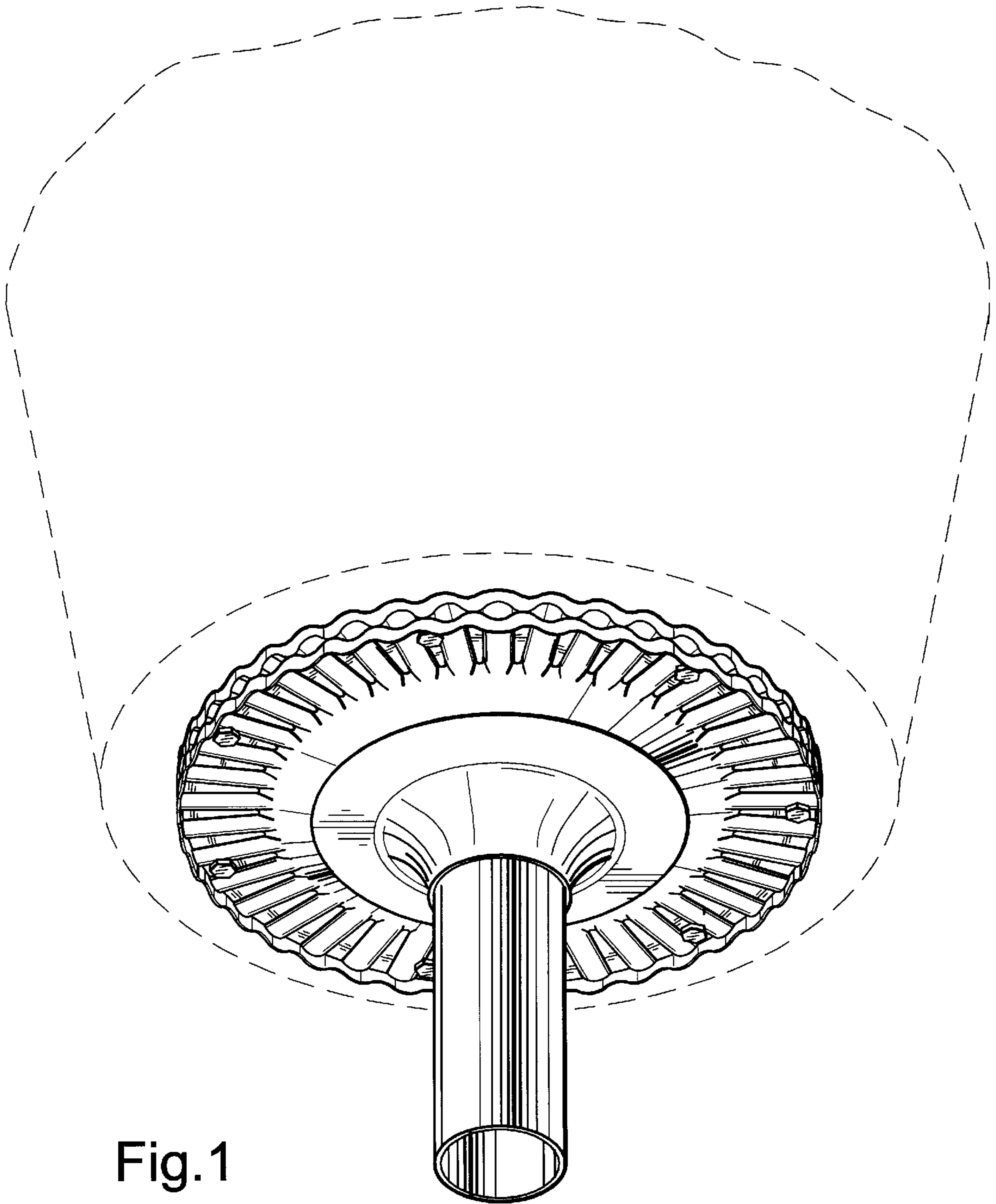


Fig.1

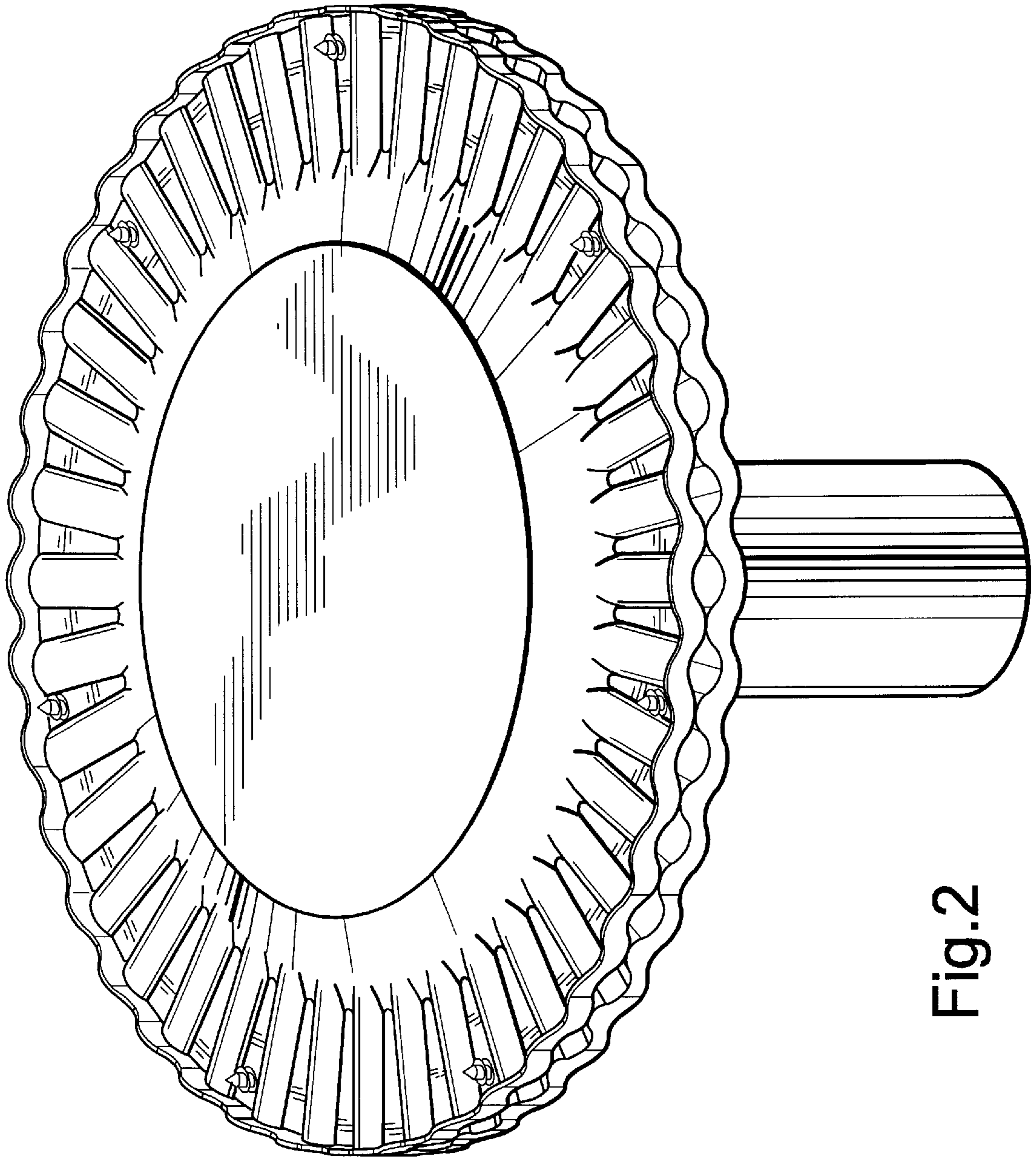


Fig.2

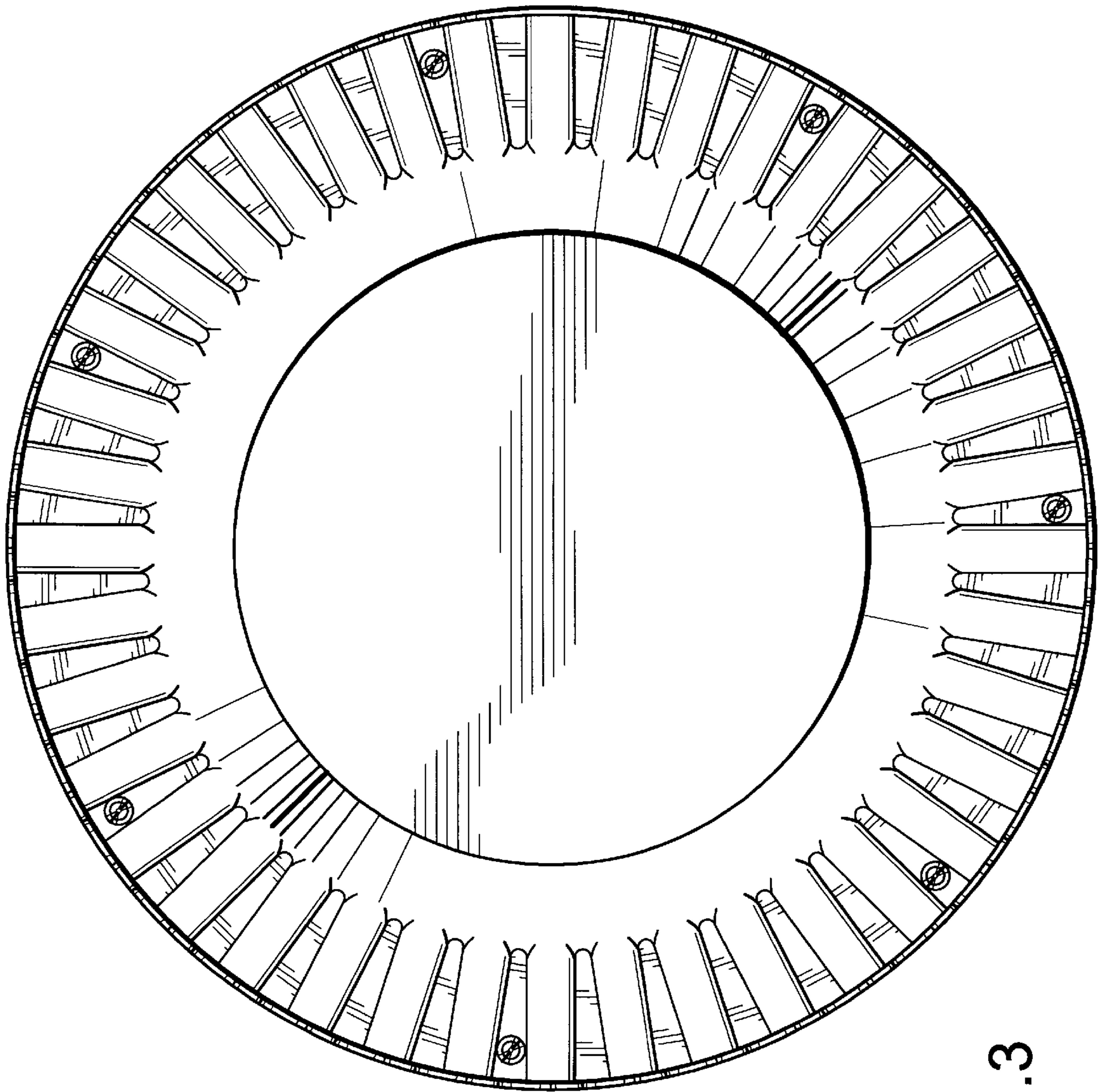


Fig.3

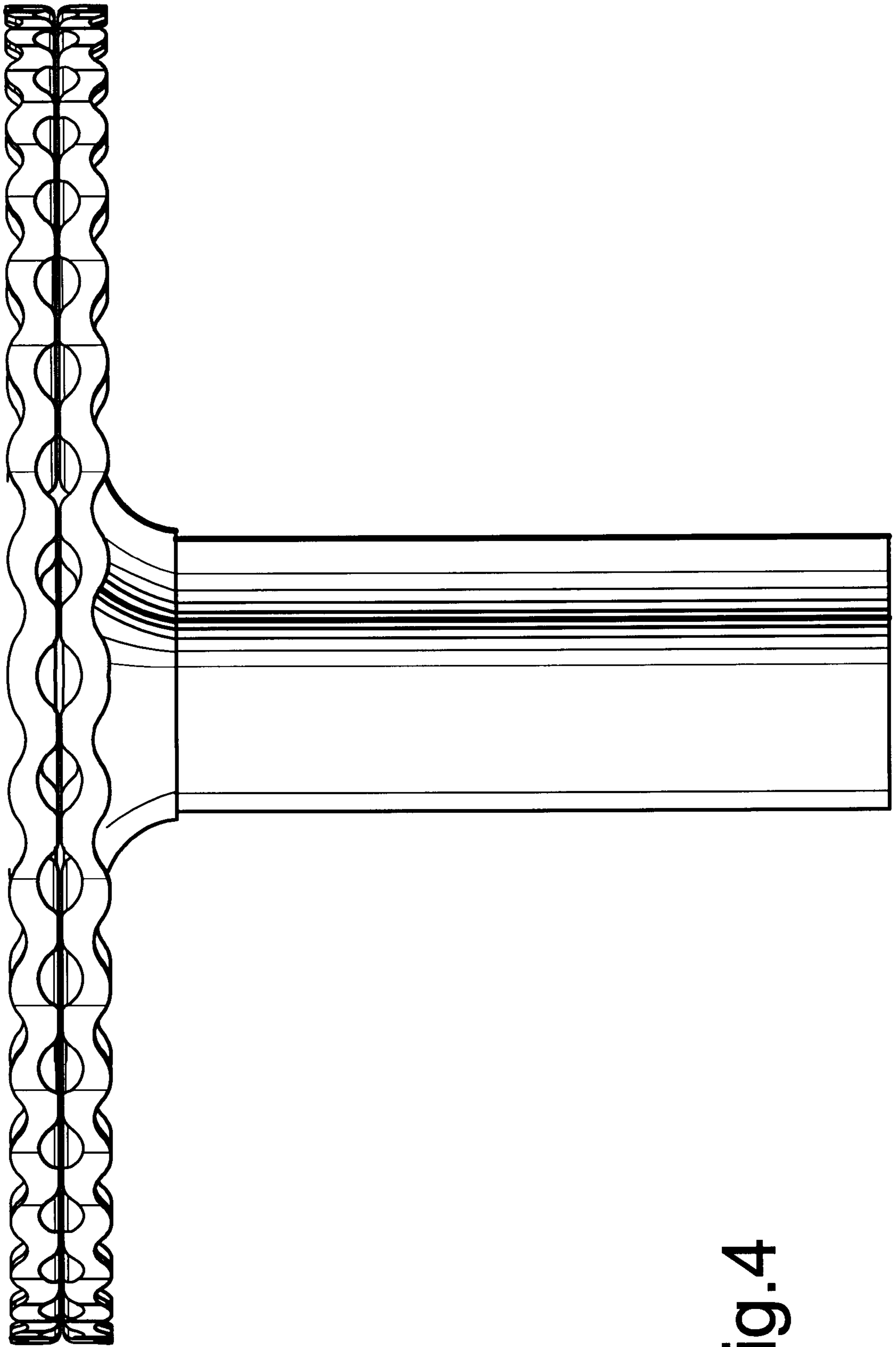


Fig. 4

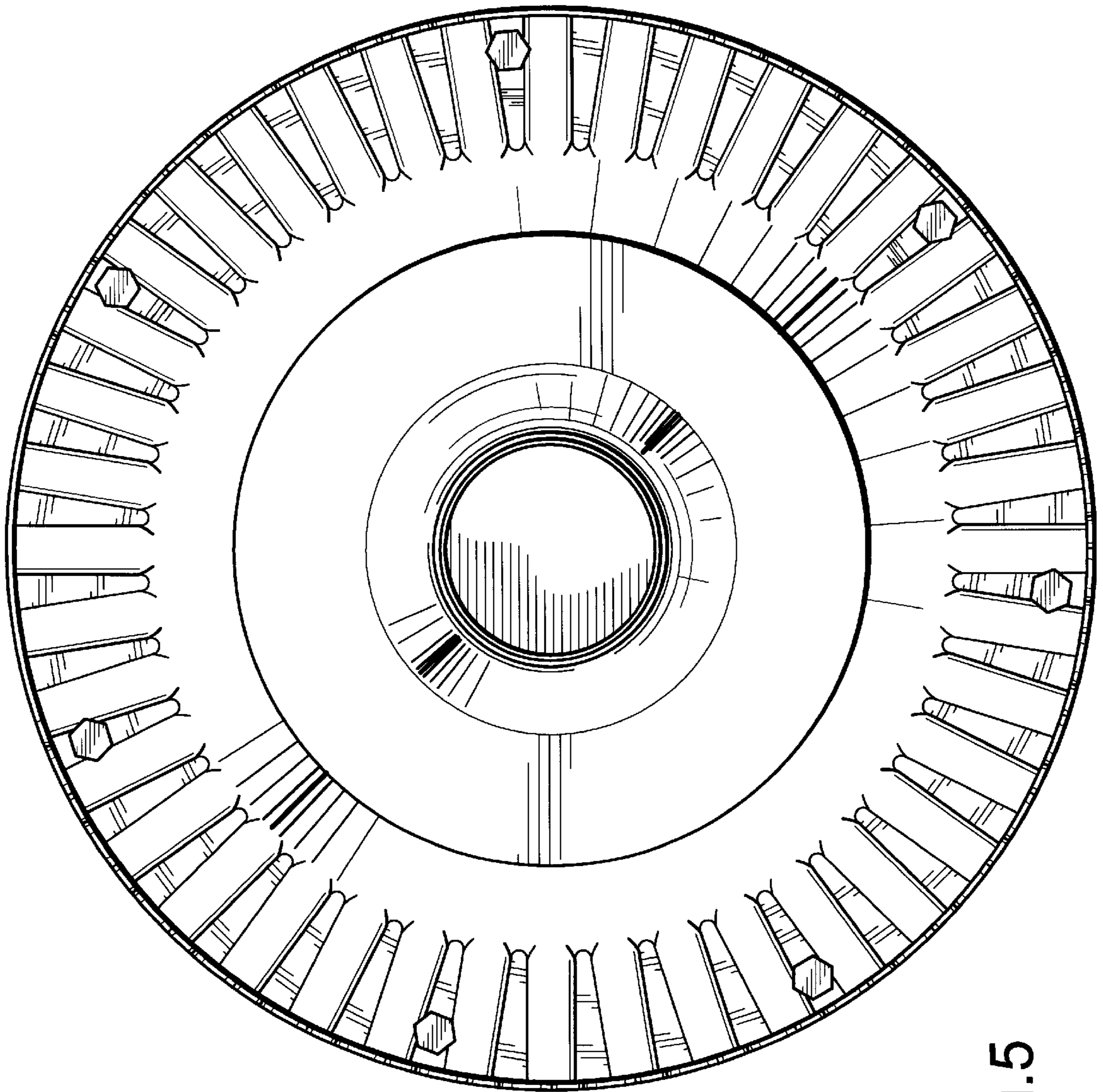


Fig. 5