



US00D425610S

United States Patent [19]
Gee, II

[11] **Patent Number: Des. 425,610**

[45] **Date of Patent: ** May 23, 2000**

[54] **COMBINED CEILING FAN AND LIGHT FIXTURE**

[75] Inventor: **Jack W. Gee, II**, Cordova, Tenn.

[73] Assignee: **Hunter Fan Company**, Memphis, Tenn.

[**] Term: **14 Years**

[21] Appl. No.: **29/101,399**

[22] Filed: **Mar. 3, 1999**

[51] **LOC (7) Cl.** **23-04**

[52] **U.S. Cl.** **D23/377; D23/379; D23/385; D26/59**

[58] **Field of Search** **D23/377, 379, D23/385, 411, 413; 416/5; 392/364; 362/96; D26/59, 81-86, 72, 51**

[56] **References Cited**

U.S. PATENT DOCUMENTS

5,486,094 1/1996 Davis, Jr. et al. 416/5

OTHER PUBLICATIONS

Casablanca Fan Co. Cat., p. 13, Ceiling Fan (A), middle left side of page.

Home Lighting & Accessories, p. 49, Ceiling Fan (B), bottom left side of page, Jan. 1998.

Primary Examiner—Lisa Lichtenstein
Attorney, Agent, or Firm—Garrison, Morris & Haight, PLLC

[57] **CLAIM**

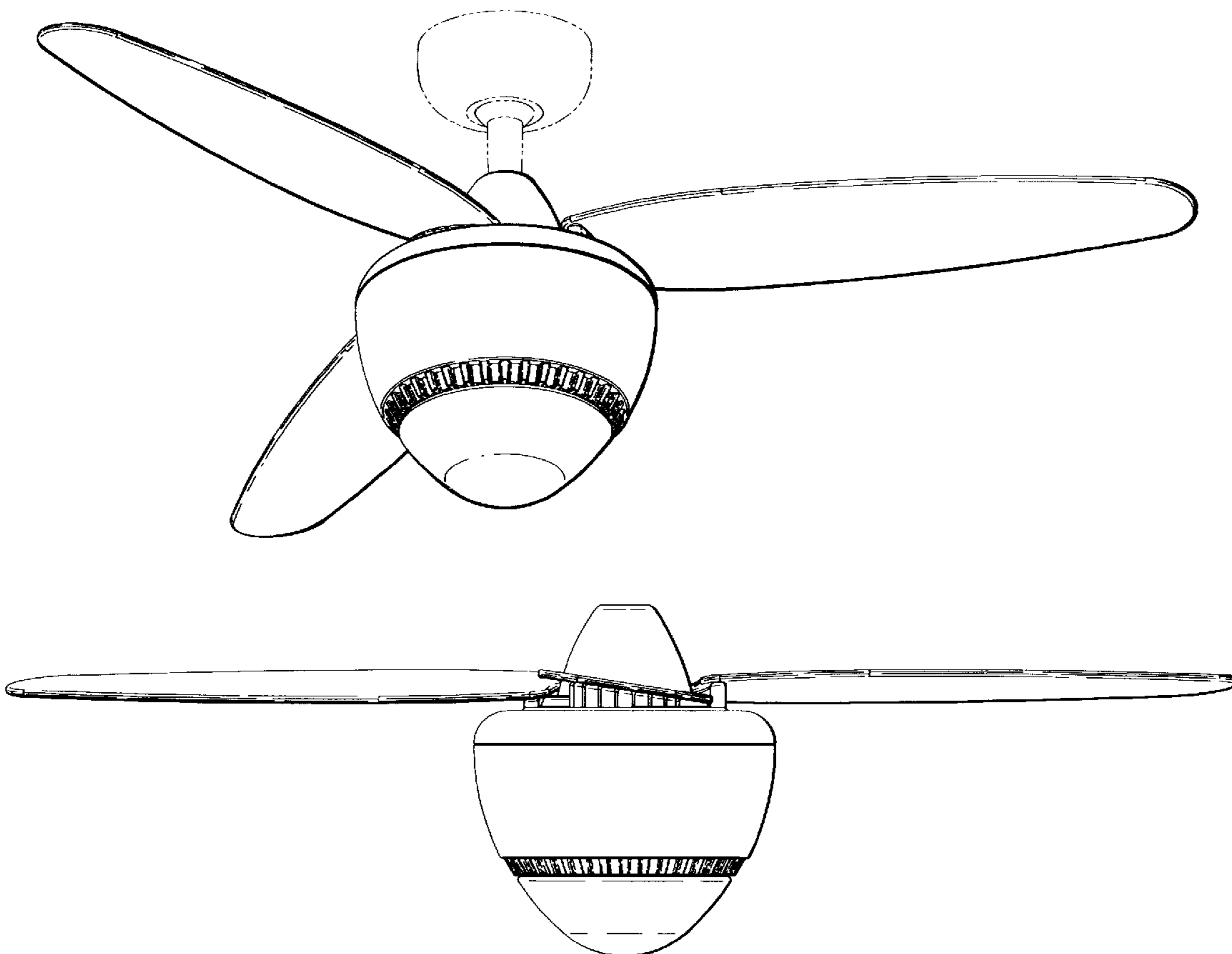
The ornamental design for a combined ceiling fan and light fixture, as shown and described.

DESCRIPTION

FIG. 1 is a perspective view of a combined ceiling fan and light fixture showing my new design;
FIG. 2 is a perspective view of the design shown in FIG. 1 with the environmental structure removed therefrom;
FIG. 3 is a front view of FIG. 2;
FIG. 4 is a right-side view of FIG. 2;
FIG. 5 is a rear view of FIG. 2;
FIG. 6 is a left-side view of FIG. 2;
FIG. 7 is a top view of FIG. 2;
FIG. 8 is a bottom view of FIG. 2; and,
FIG. 9 is an enlarged perspective view of the design shown in FIG. 1 with the environmental structure removed therefrom and the included fan blades shown broken away for ease of illustration.

The broken line showing of environmental structure shown in FIG. 1 is for illustrative purposes only and forms no part of the claimed design.

1 Claim, 9 Drawing Sheets



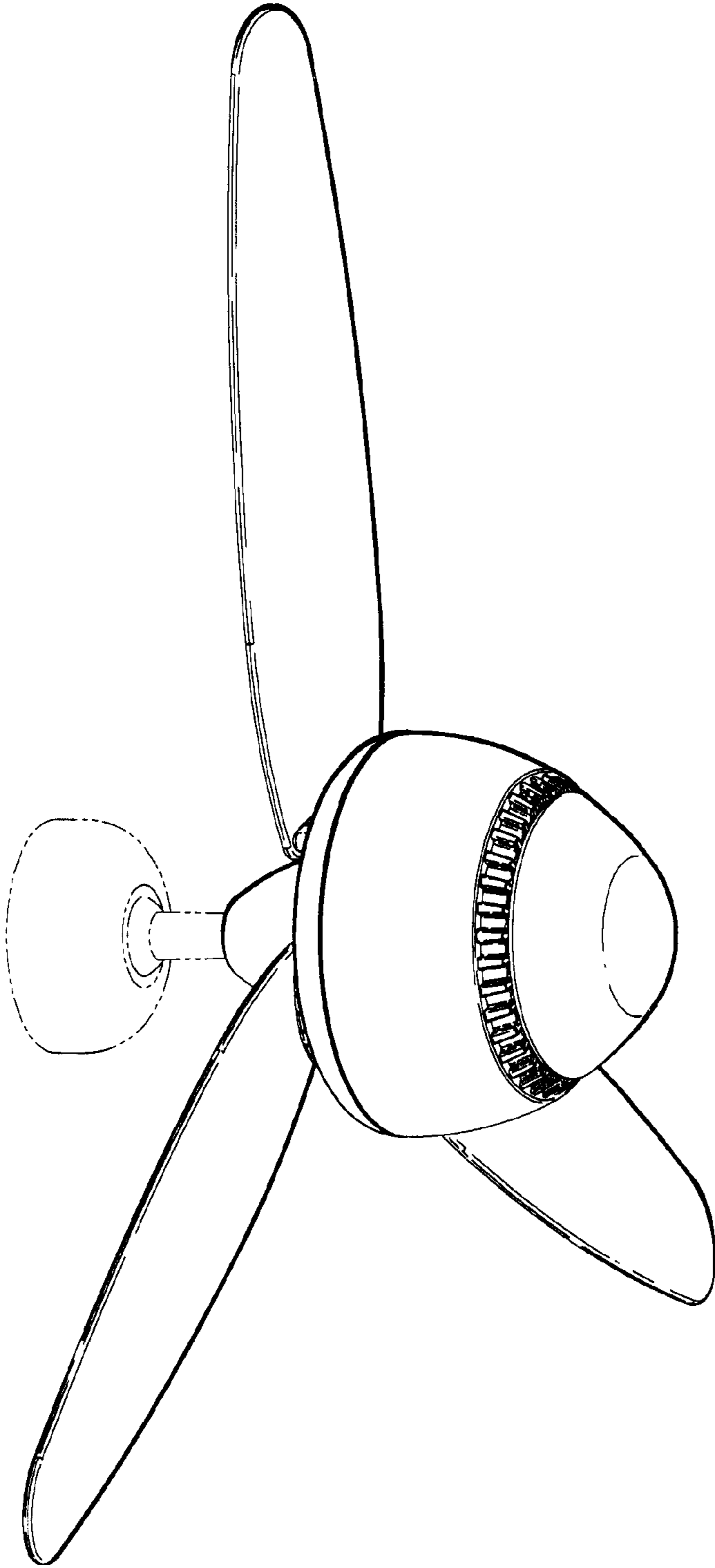


FIG 1

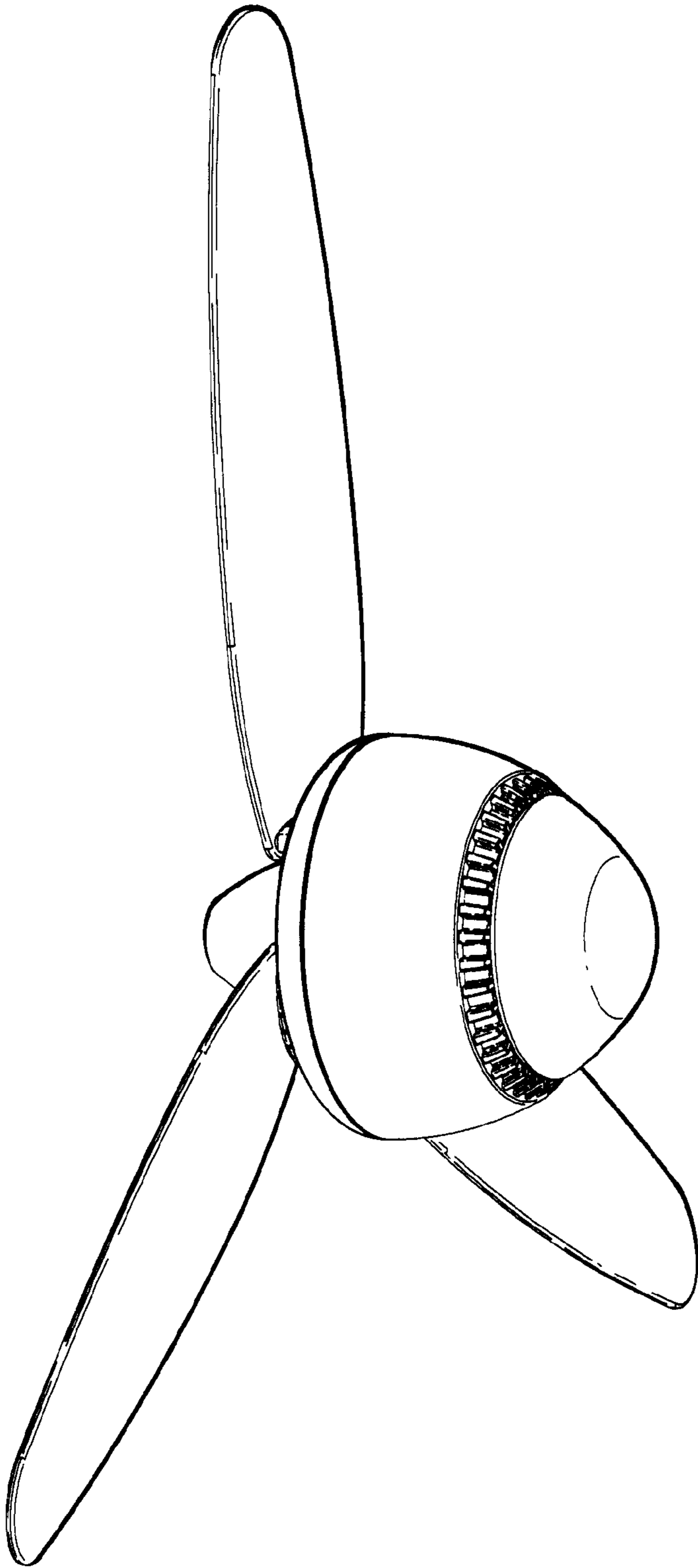


FIG 2

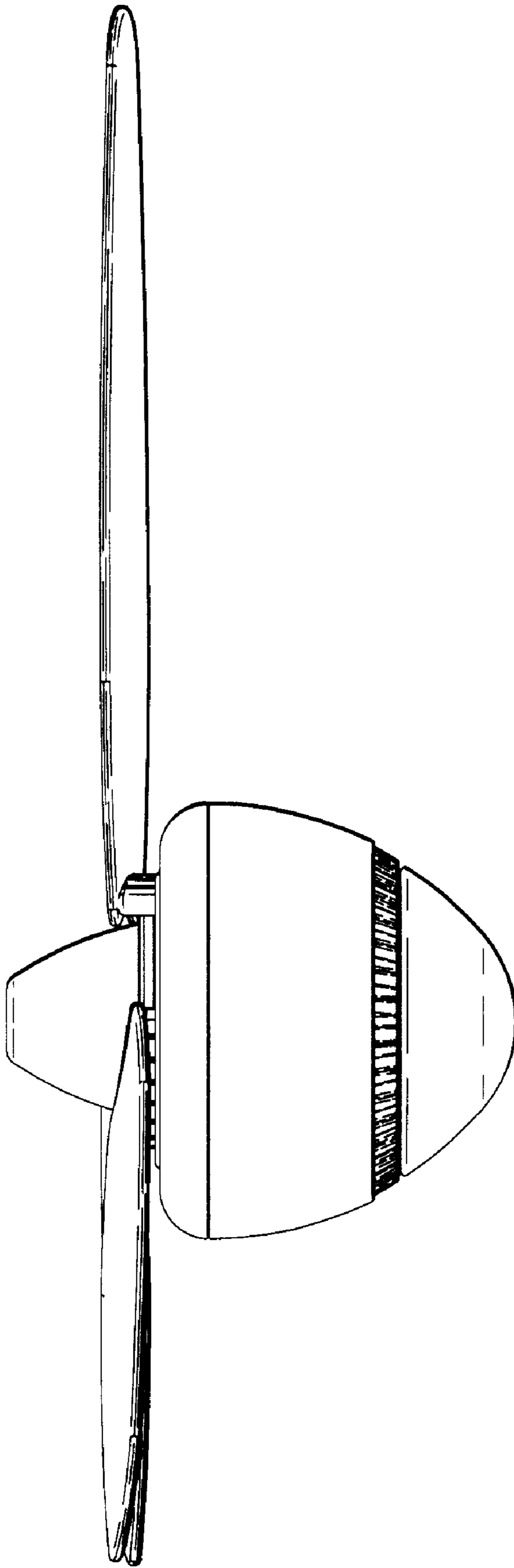


FIG 3

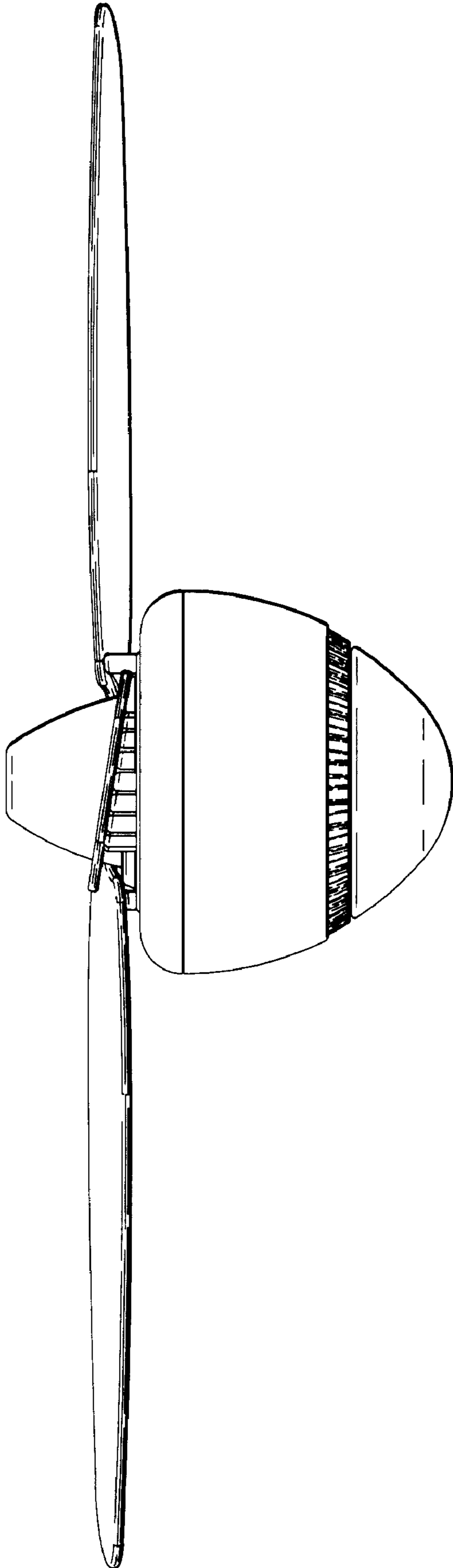


FIG 4

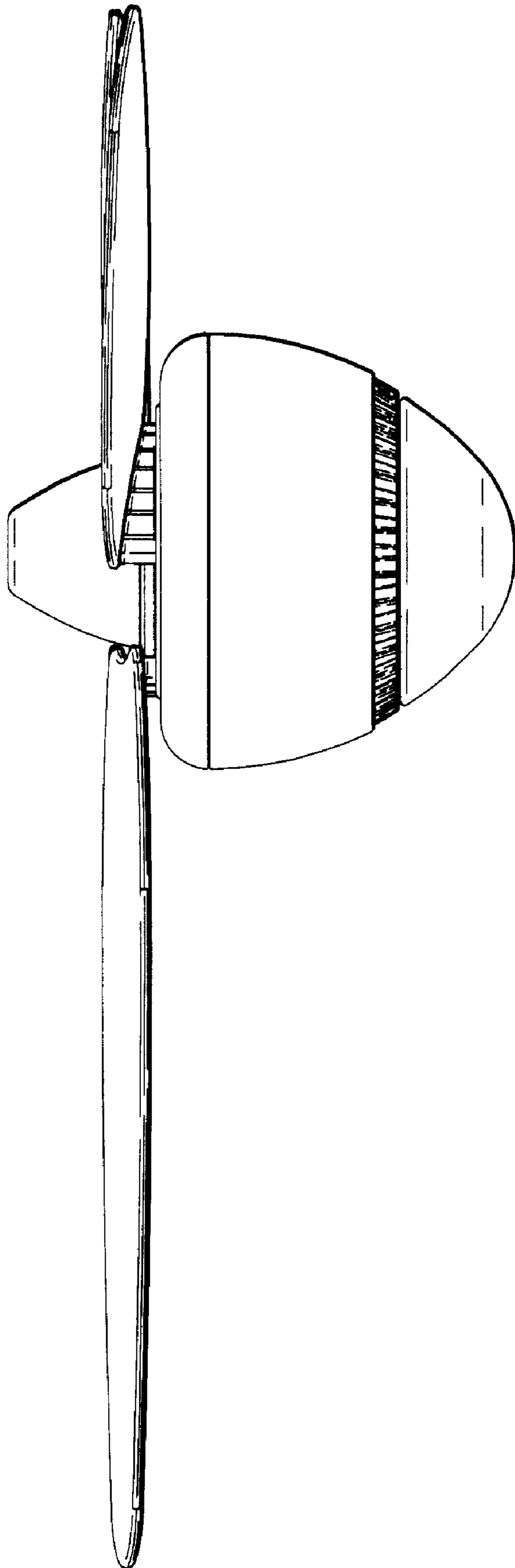


FIG 5

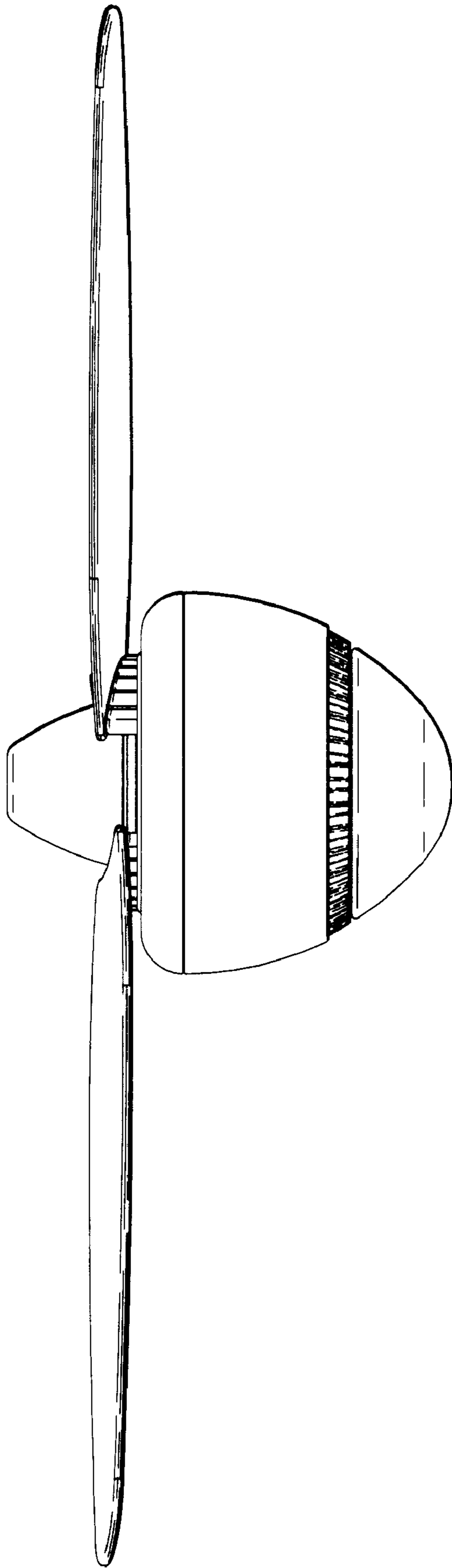


FIG 6

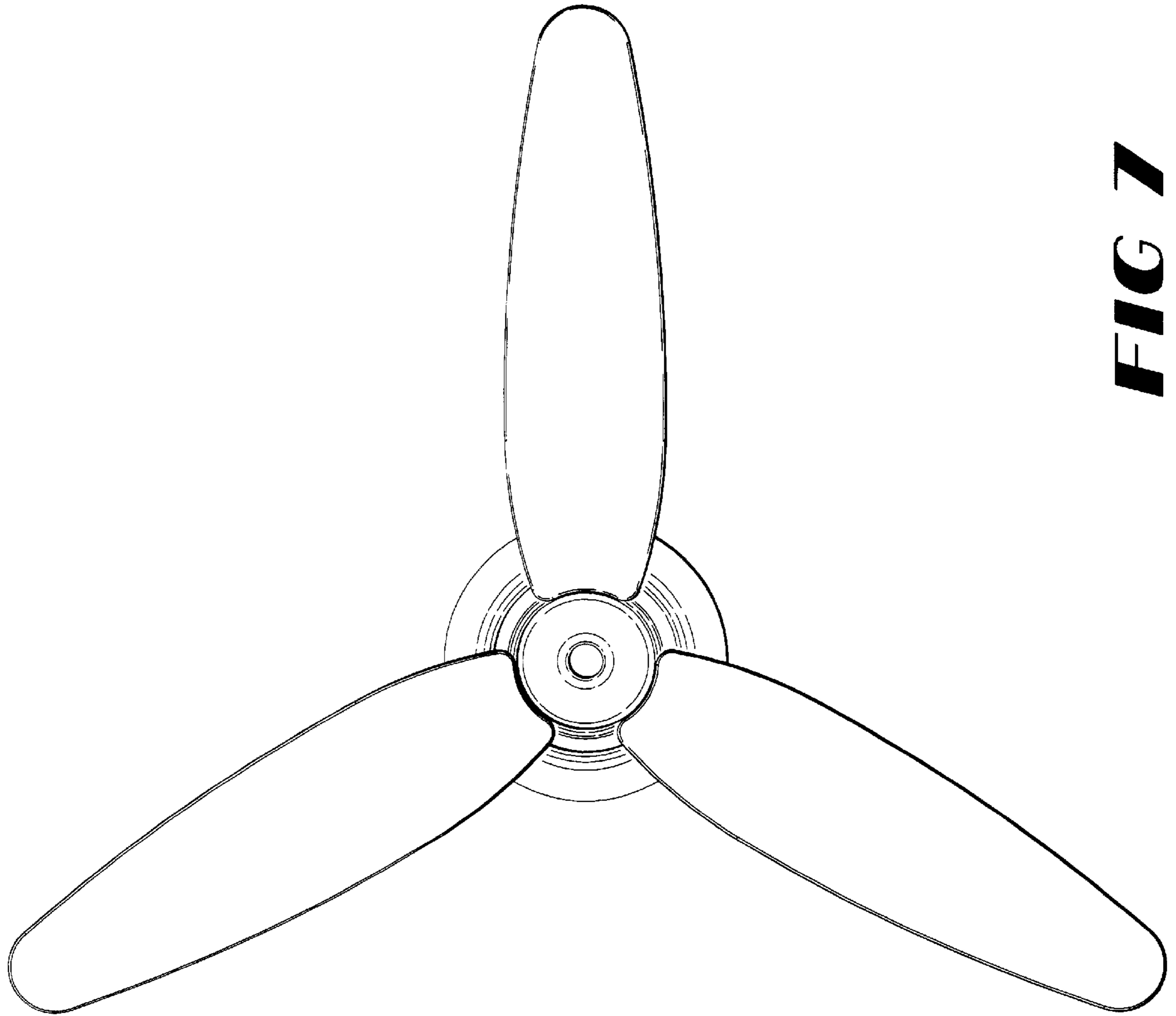


FIG 7

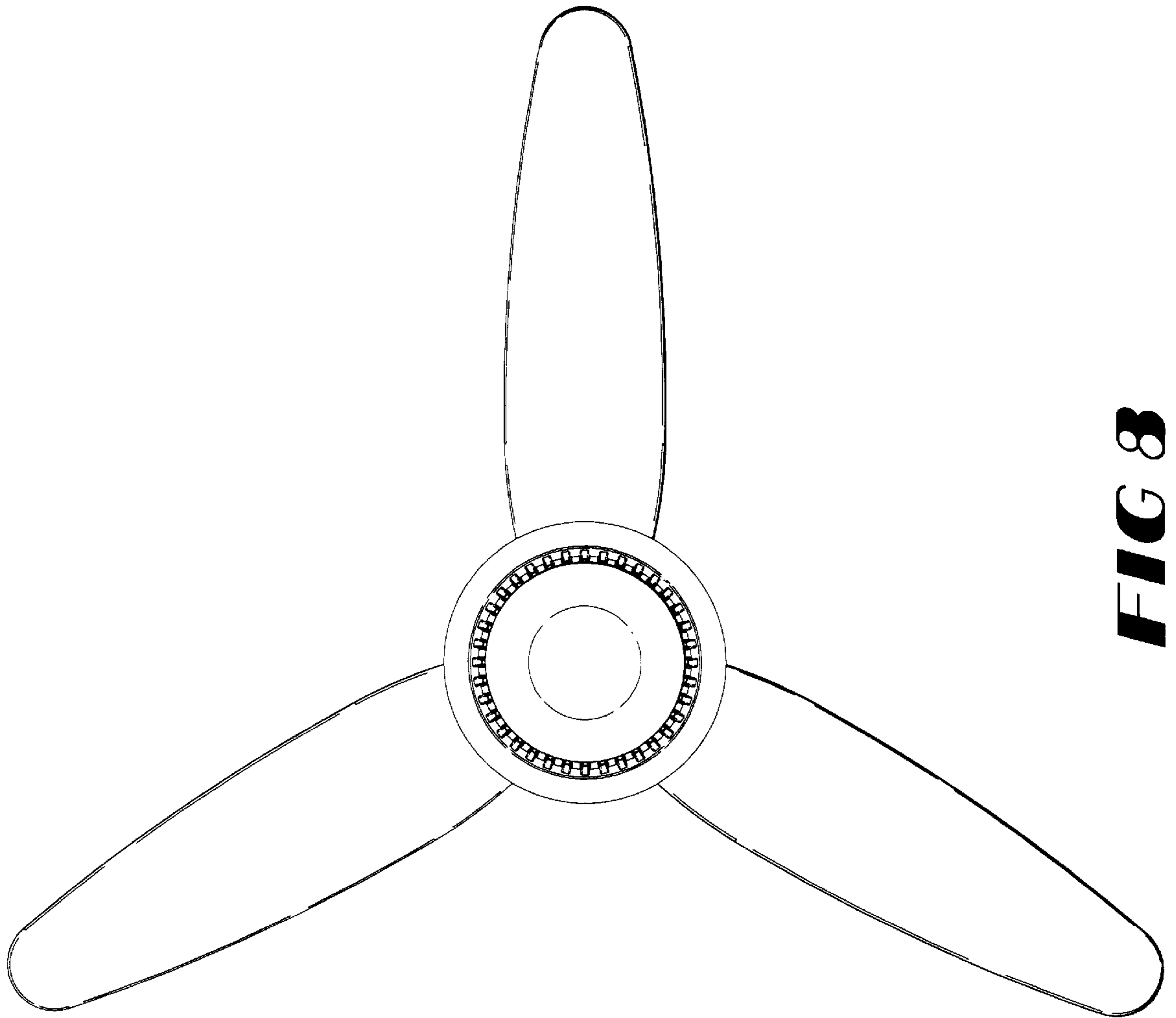


FIG 8

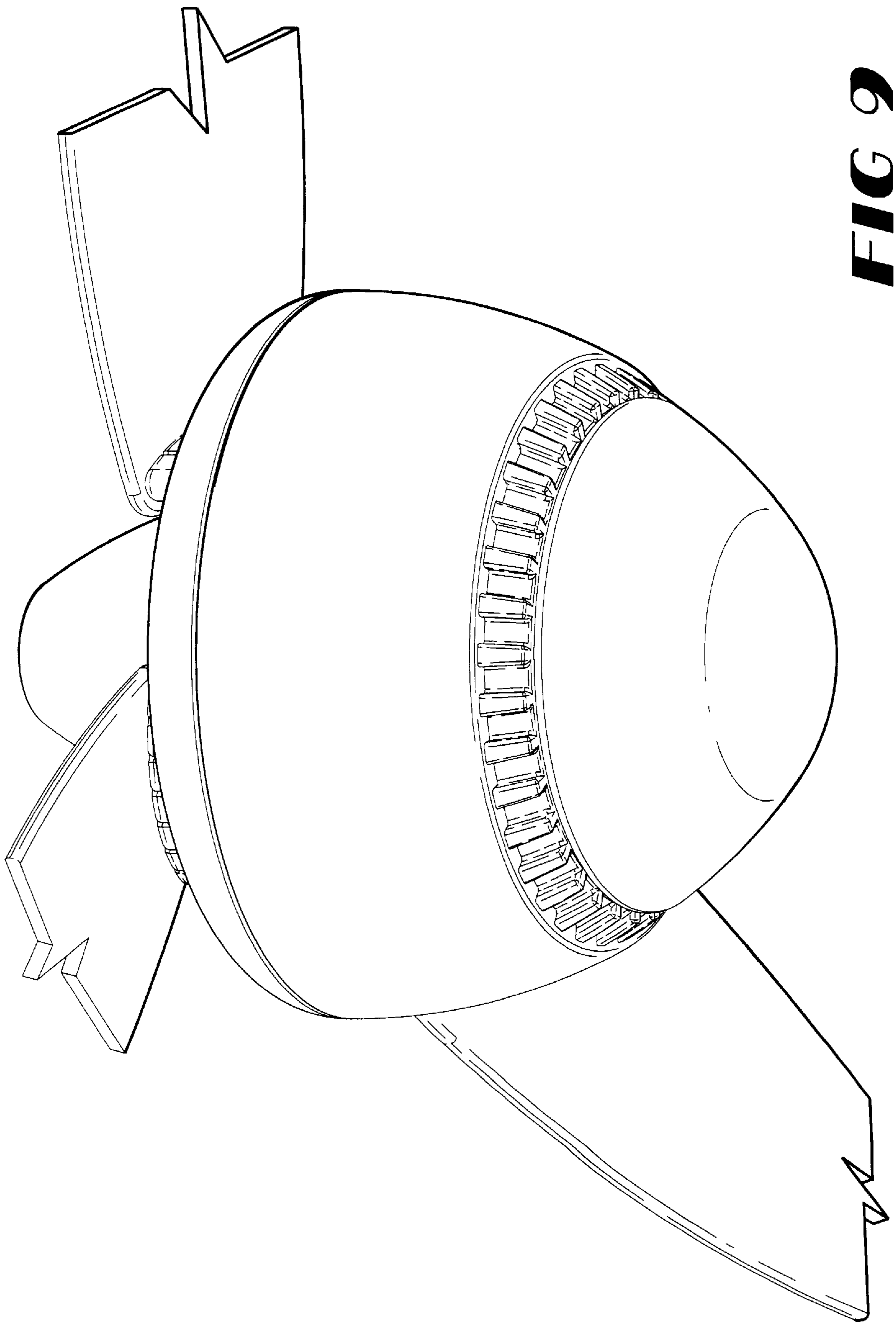


FIG 9