



US00D425608S

# United States Patent [19]

[11] **Patent Number: Des. 425,608**

**Haug et al.**

[45] **Date of Patent: \*\* May 23, 2000**

[54] **SANITARY SLIDE BAR**

[75] Inventors: **Andreas Haug; Thomas Schönherr**, both of Stuttgart, Germany; **Thomas KÜchler**, Zell am See, Austria; **Fabian Kollmann**, Leonberg, Germany

D. 384,129	9/1997	Neufeld et al. ....	D23/213
4,174,822	11/1979	Larsson .....	248/75
4,229,842	10/1980	Gilmore .....	4/610
5,513,419	5/1996	Zinger .....	16/87.4 R
5,632,049	5/1997	Chen .....	4/570
5,732,420	3/1998	Micciche .....	4/610

[73] Assignee: **Hansgrohe A.G.**, Schiltach, Germany

[\*\*] Term: **14 Years**

**OTHER PUBLICATIONS**

hansgrohe catalogue '97, pp. 30–31, Jan. 1997.  
Grohetec Brausen-Programm, pp. 26–27, Mar. 1997.

[21] Appl. No.: **29/106,396**

*Primary Examiner*—Eric Watterson  
*Attorney, Agent, or Firm*—Duane, Morris & Heckscher LLP

[22] Filed: **Jun. 15, 1999**

[57] **CLAIM**

[30] **Foreign Application Priority Data**

Dec. 16, 1998 [DE] Germany ..... 4 98 12 327

The ornamental design for a sanitary slide bar, as shown and described.

[51] **LOC (7) Cl.** ..... **23-02**

**DESCRIPTION**

[52] **U.S. Cl.** ..... **D23/304**

FIG. 1 is a side perspective view of a sanitary slide bar showing our new design;  
FIG. 2 is a side elevation view thereof;  
FIG. 3 is a top plan view thereof;  
FIG. 4 is a bottom plan view thereof;  
FIG. 5 is a rear elevation view thereof;  
FIG. 6 is an opposite side elevation view thereof; and,  
FIG. 7 is a front elevation view thereof.

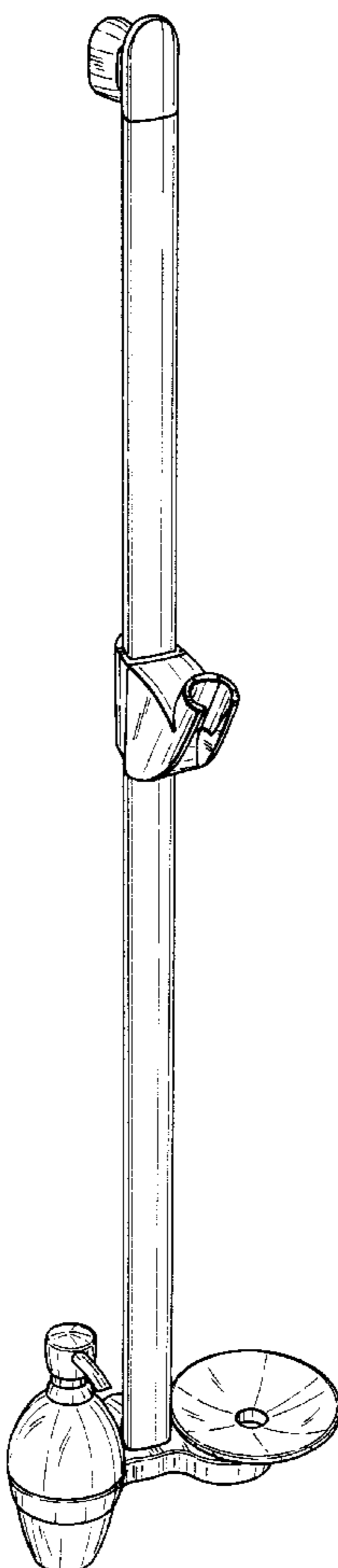
[58] **Field of Search** ..... D23/304–311,  
D23/213; 4/567–570, 601, 615; 285/47,  
138; D8/349, 354, 356, 373

[56] **References Cited**

**U.S. PATENT DOCUMENTS**

D. 372,963	8/1996	Luca, Jr. et al. ....	D23/304
D. 378,401	3/1997	Neufeld et al. ....	D23/304

**1 Claim, 2 Drawing Sheets**



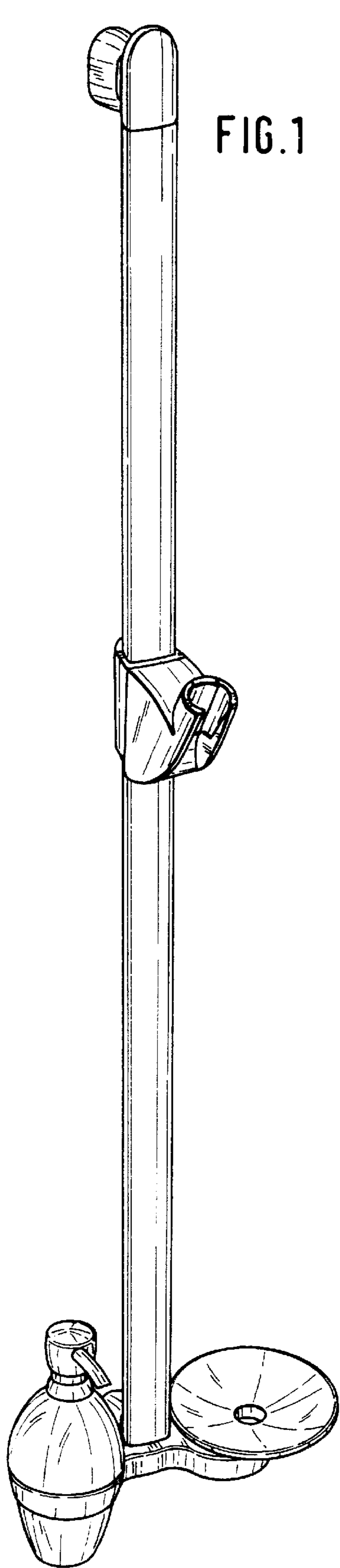


FIG. 2

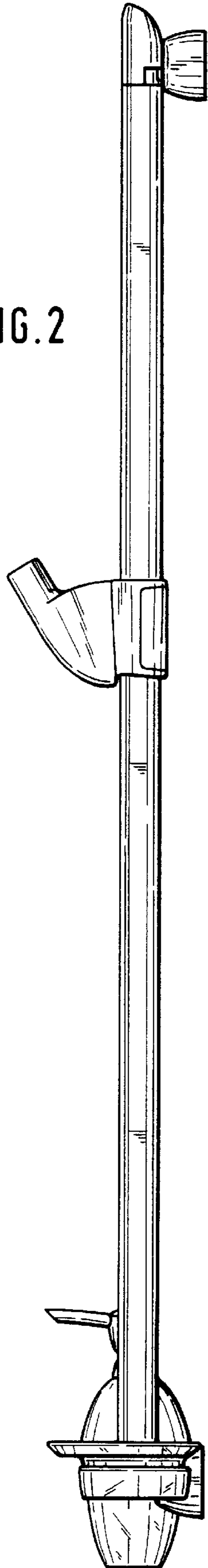


FIG. 3

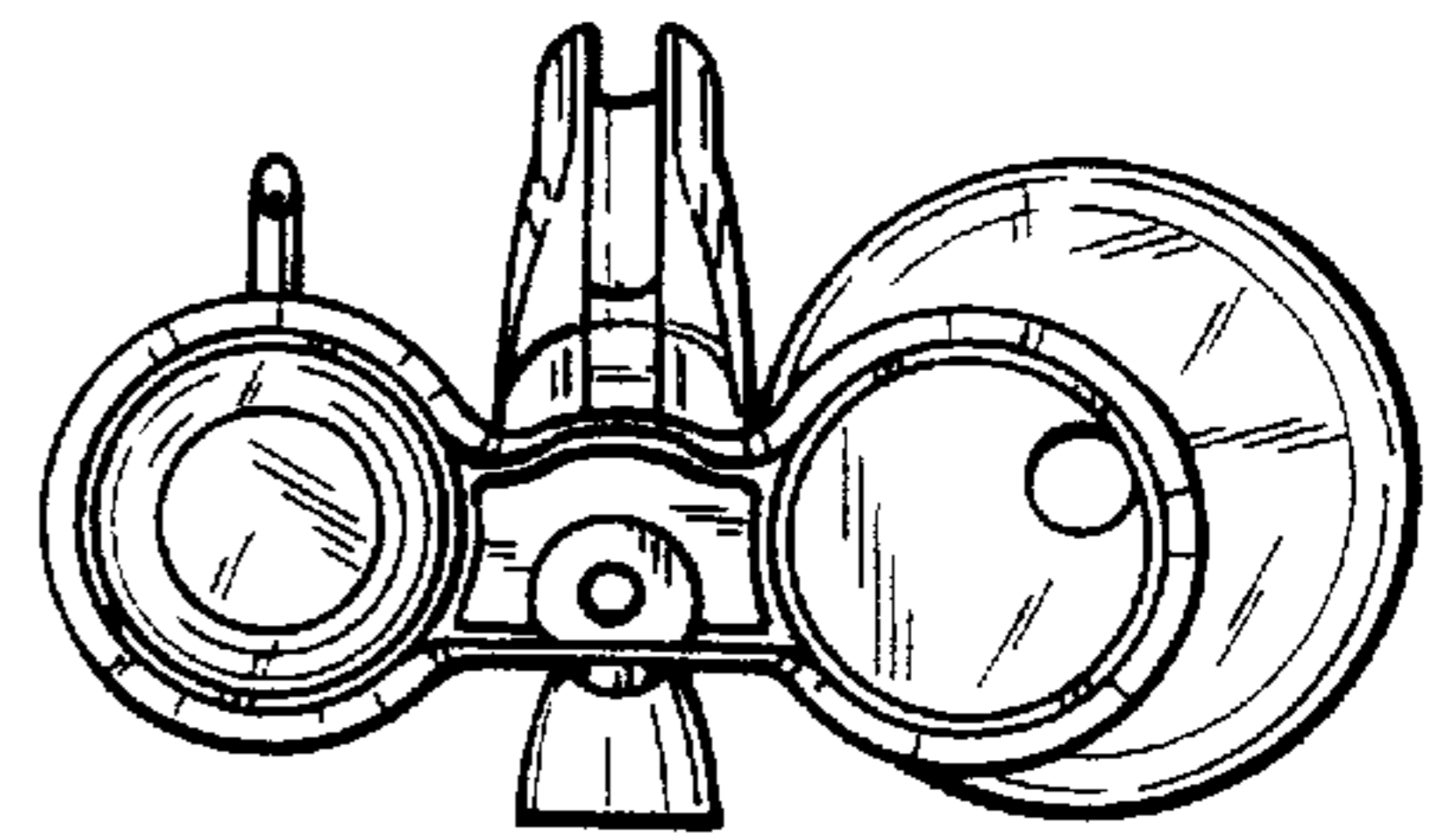
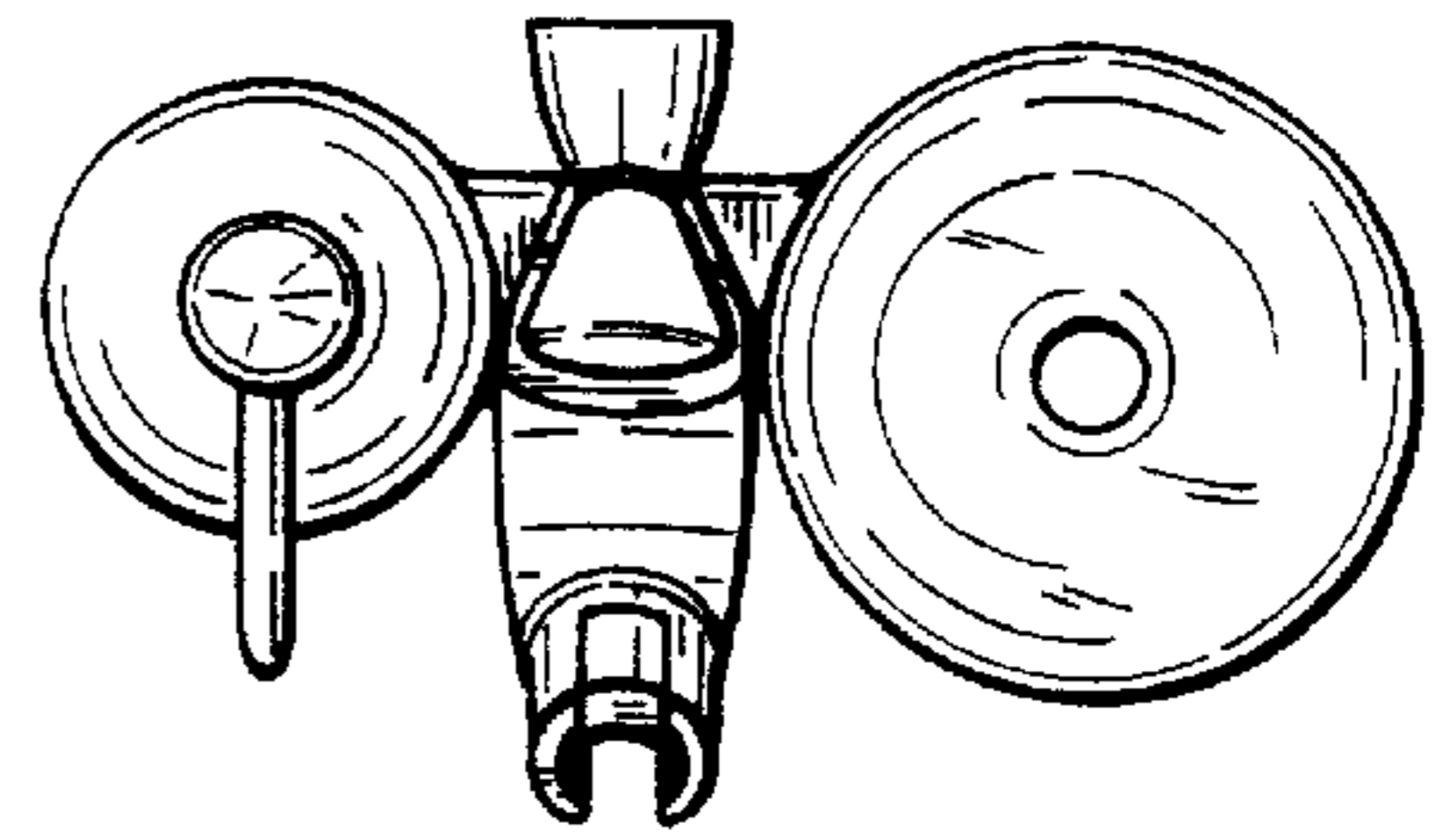


FIG. 4

FIG. 5

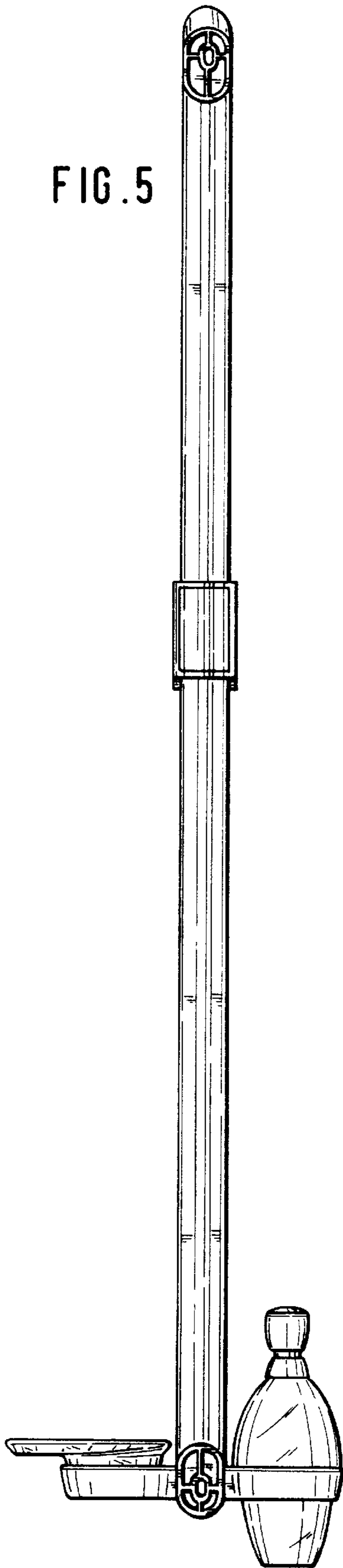


FIG. 6

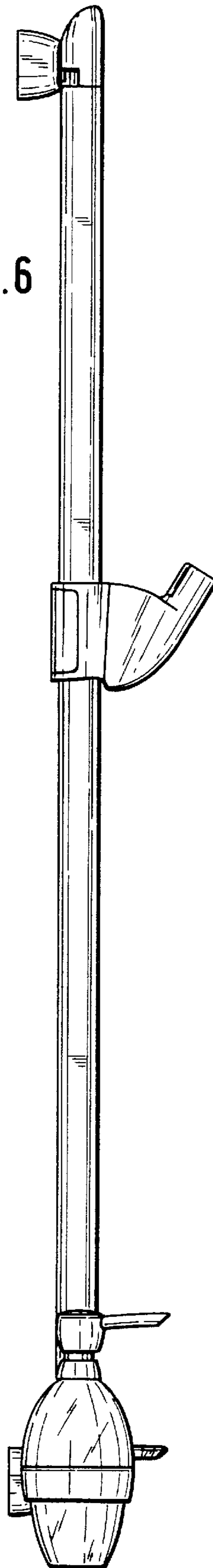


FIG. 7

