



US00D425607S

United States Patent [19] Pham

[11] **Patent Number: Des. 425,607**

[45] **Date of Patent: ** May 23, 2000**

[54] **CHILD'S TOILET SEAT**

[76] Inventor: **Chau Thanh Pham**, 1137 Indian Road,
Mississauga, Ontario, Canada, L5H 1R8

[**] Term: **14 Years**

[21] Appl. No.: **29/092,061**

[22] Filed: **Aug. 11, 1998**

[51] **LOC (7) Cl.** **23-02**

[52] **U.S. Cl.** **D23/296**

[58] **Field of Search** D23/296, 297,
D23/298-301; 4/235, 239, 449, 476-479,
483

[56] **References Cited**

U.S. PATENT DOCUMENTS

- D. 351,223 10/1994 Wise et al. D23/296
- D. 351,224 10/1994 Wise et al. D23/296

- D. 368,517 4/1996 Petrie et al. D23/296
- D. 377,971 2/1997 Vanakkeren et al. D23/296
- D. 379,495 5/1997 Sidman et al. D23/296

Primary Examiner—Louis S. Zarfes
Assistant Examiner—Eric Watterson
Attorney, Agent, or Firm—Rogeis & Scott

[57] **CLAIM**

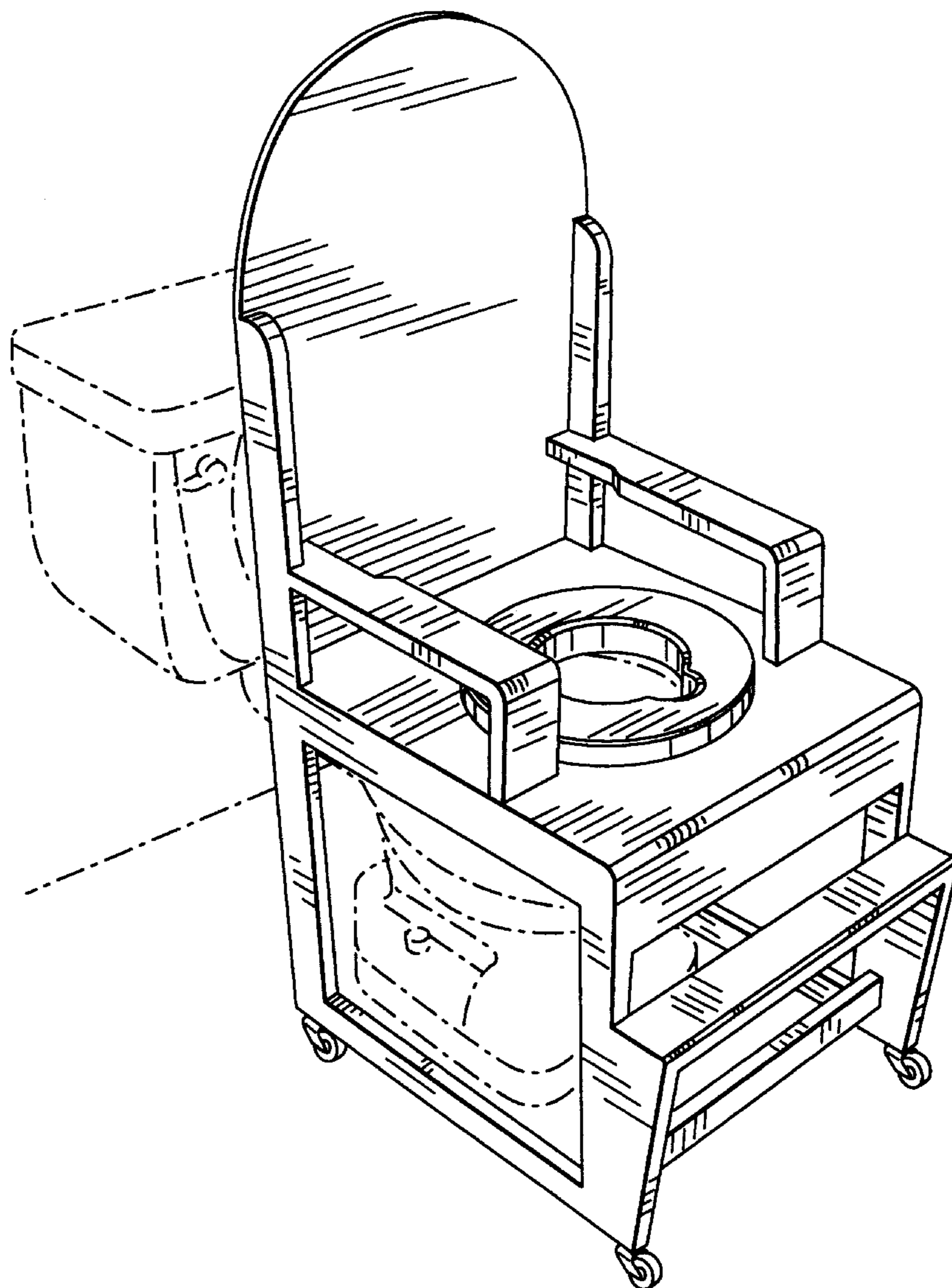
The ornamental design for a child's toilet seat, as shown.

DESCRIPTION

FIG. 1 is a perspective view of a child's toilet seat showing my design, the view showing the top, front and right hand side of the seat; and, FIG. 2 is a perspective view of the seat showing the bottom, rear and left hand side thereof.

The broken line showing is for illustrative purposes only and forms no part of the claimed design.

1 Claim, 2 Drawing Sheets



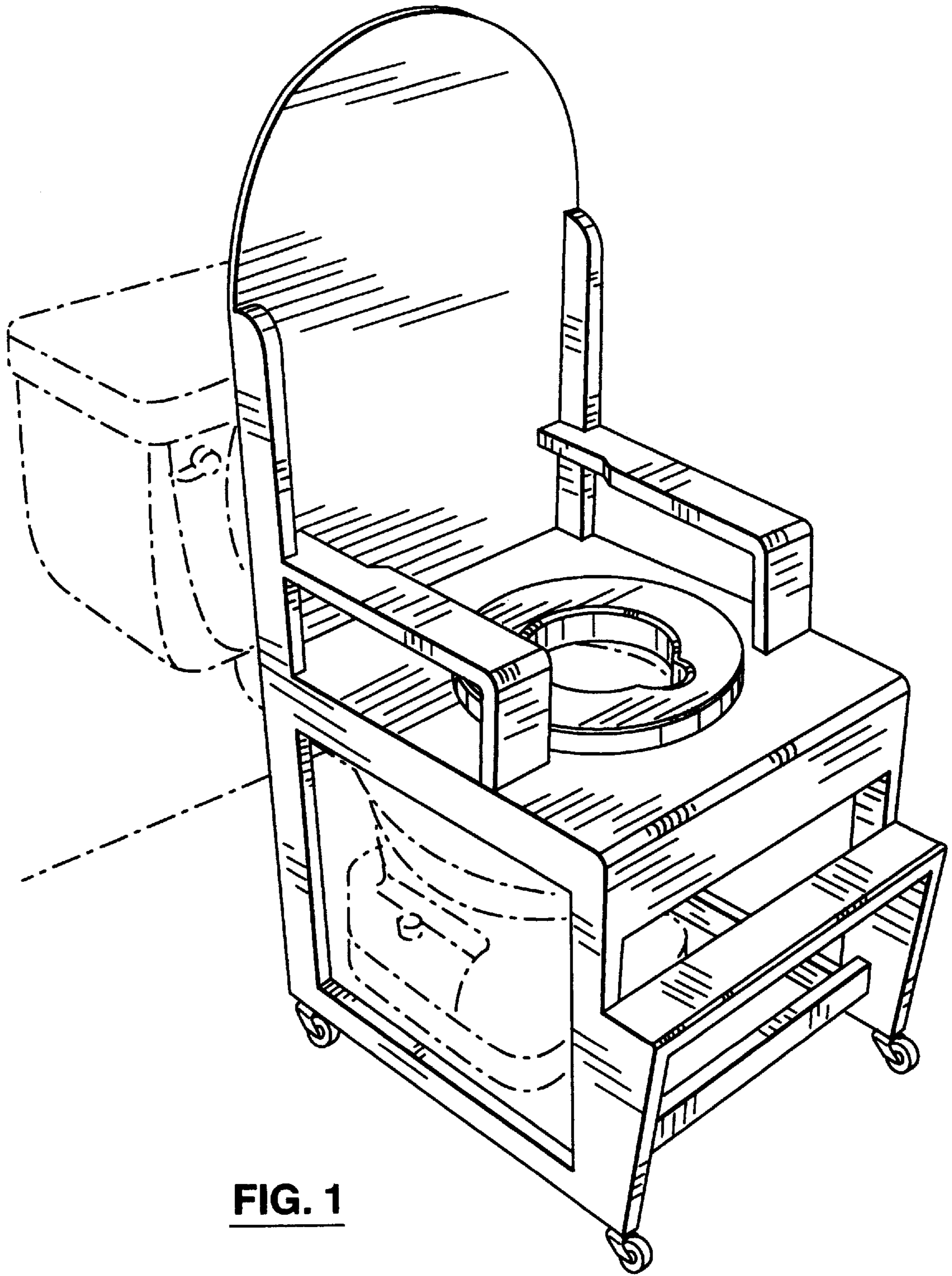


FIG. 1

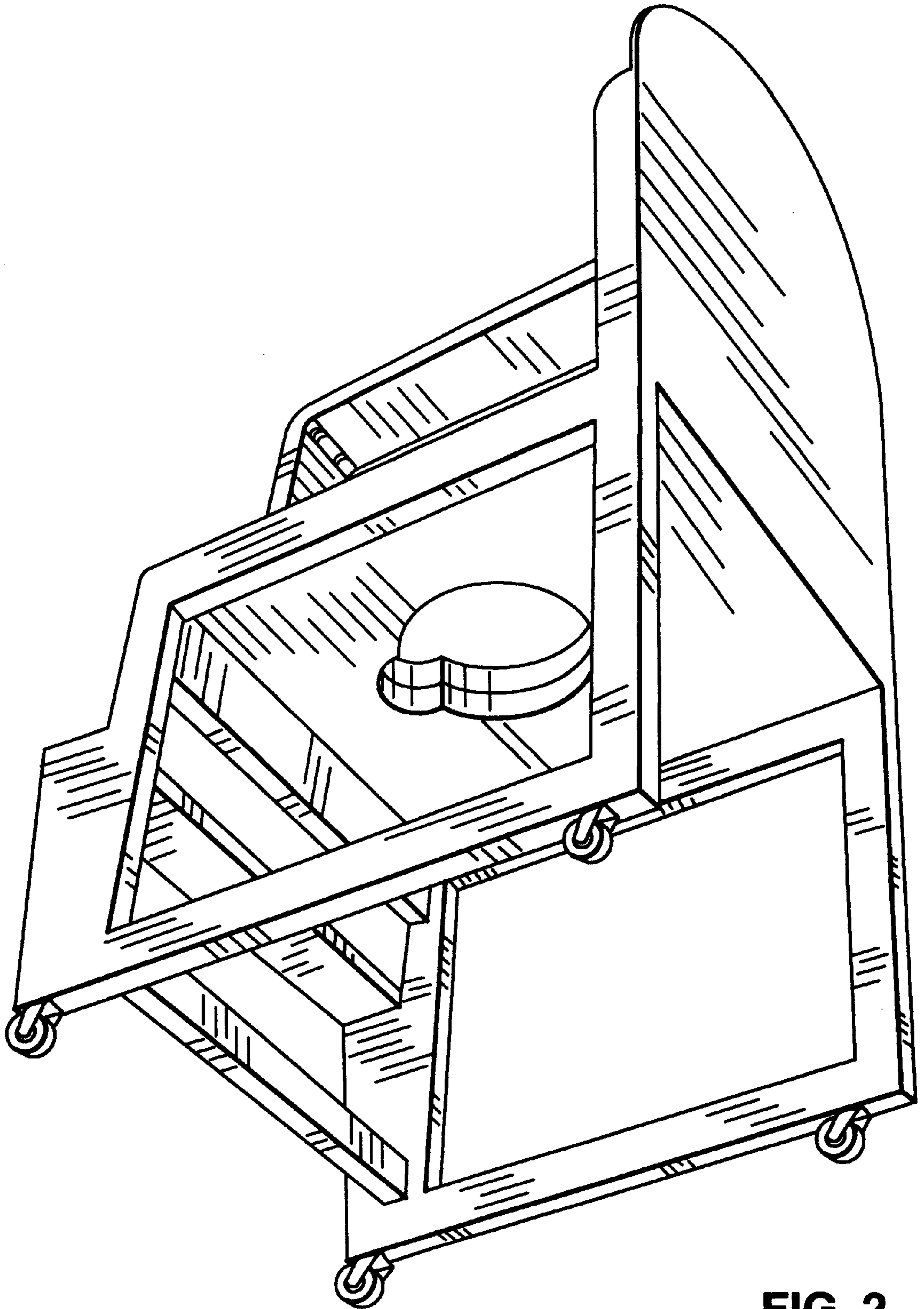


FIG. 2