



US00D425600S

United States Patent [19]

[11] **Patent Number: Des. 425,600**

Pas et al.

[45] **Date of Patent: ** May 23, 2000**

[54] **BAIT BUCKET**

[75] Inventors: **Dick Pas; Don Ayer**, both of Waukesha, Wis.

[73] Assignee: **High Water Outfitters, Inc.**, Waukesha, Wis.

[**] Term: **14 Years**

4,261,131	4/1981	Poffenberger	43/57
4,671,008	6/1987	Lindemood	43/54.1
4,677,785	7/1987	Lamboura	D22/136
4,794,723	1/1989	Arnold et al.	43/55
4,905,404	3/1990	Pasion et al.	43/55
4,996,790	3/1991	Ruggles	43/55
5,337,892	8/1994	Zaffina	43/54.1
5,529,204	6/1996	Sykes	220/335
5,659,995	8/1997	Hoffman	43/54.1

[21] Appl. No.: **29/104,290**

[22] Filed: **May 3, 1999**

[51] **LOC (7) Cl. 22-05**

[52] **U.S. Cl. D22/136**

[58] **Field of Search D22/136, 199; 43/54.1, 55, 56; D32/53, 53.1, 54**

[56] **References Cited**

U.S. PATENT DOCUMENTS

D. 158,045	4/1950	Brankstone	D22/136
D. 209,870	1/1968	Yates, Jr.	D32/53
D. 216,833	3/1970	Yates, Jr.	D32/53
D. 235,205	5/1975	Schwartz et al.	D22/136
D. 303,563	9/1989	Palmer	D22/136
D. 328,774	8/1992	Galante	D22/136
D. 328,775	8/1992	Galante	D22/136
D. 333,862	3/1993	Merechka	D22/136
D. 371,185	6/1996	Mullins	D22/136
2,111,959	3/1938	Baxter	43/55
2,722,770	11/1955	Giordano	43/55
3,751,845	8/1973	Van Leeuwen	D22/136
3,804,289	4/1974	Churan	D32/53
4,095,365	6/1978	Ray	43/55

FOREIGN PATENT DOCUMENTS

659139	3/1963	Canada	D22/136
--------	--------	--------------	---------

Primary Examiner—Louis S. Zarfaz
Assistant Examiner—Inga-Maria Hyttinen
Attorney, Agent, or Firm—Michael Best & Friedrich LLP

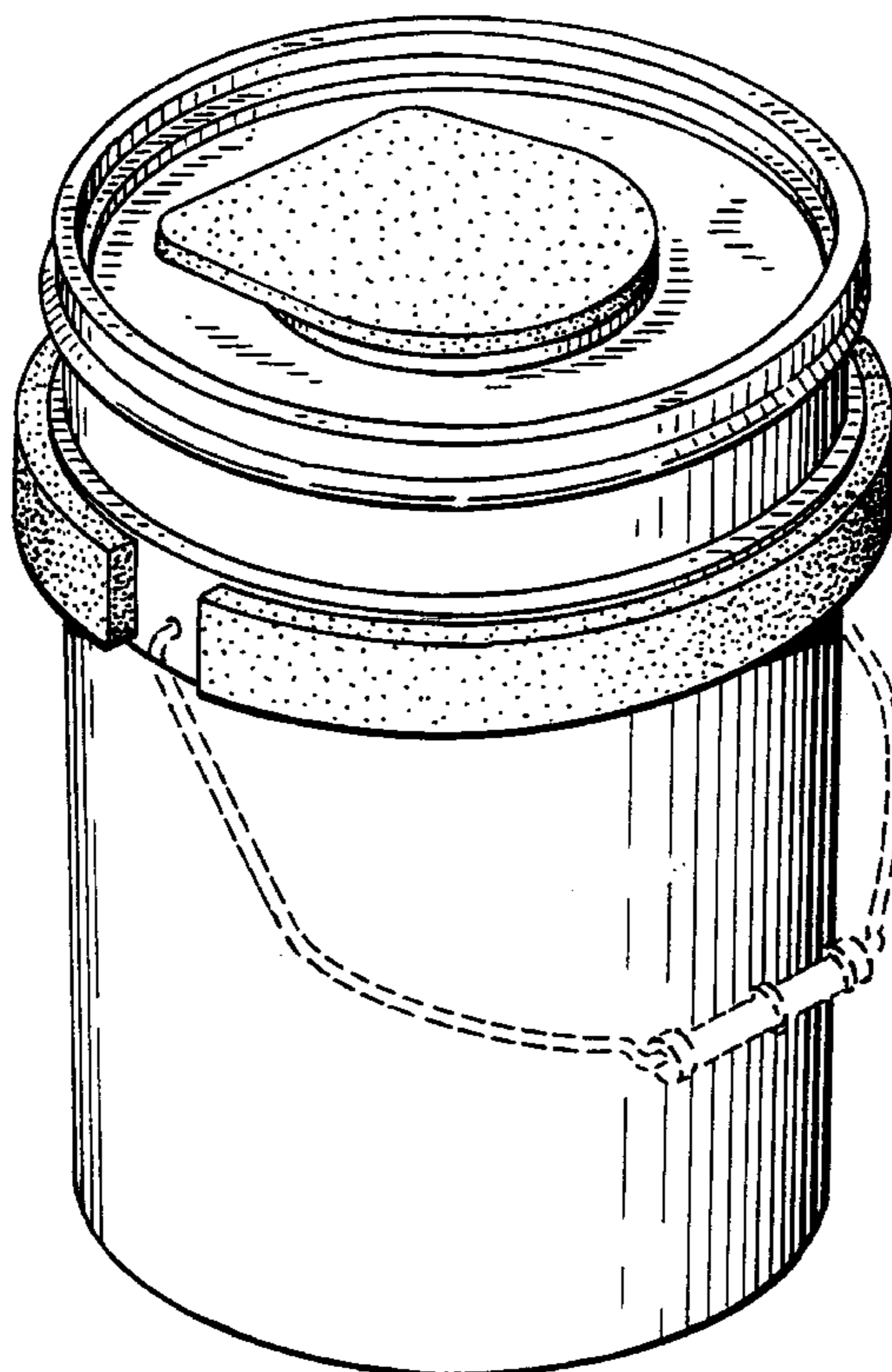
[57] **CLAIM**

The ornamental design for a bait bucket, as shown and described.

DESCRIPTION

FIG. 1 is a perspective view of a bait bucket showing our new design;
FIG. 2 is a top plan view thereof;
FIG. 3 is a front elevational view thereof, the rear view being a mirror image of that shown; and,
FIG. 4 is a right side elevational view thereof, the left side view being a mirror image of that shown.
The bottom surface of the bait bucket is not part of the design sought to be patented and is therefore not shown. The portion of the bait bucket shown in broken lines is not part of the design sought to be patented.

1 Claim, 2 Drawing Sheets



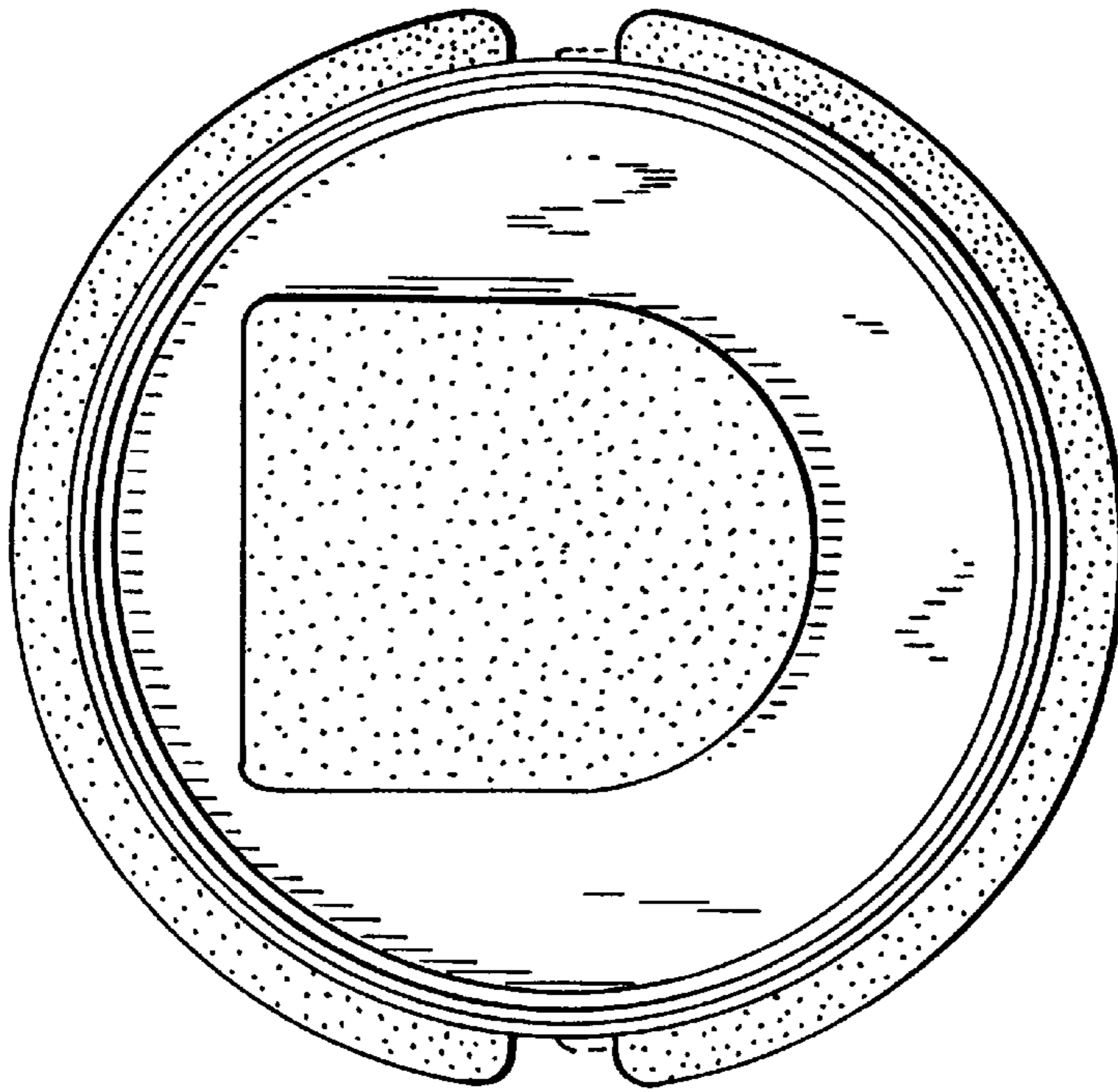


Fig. 2

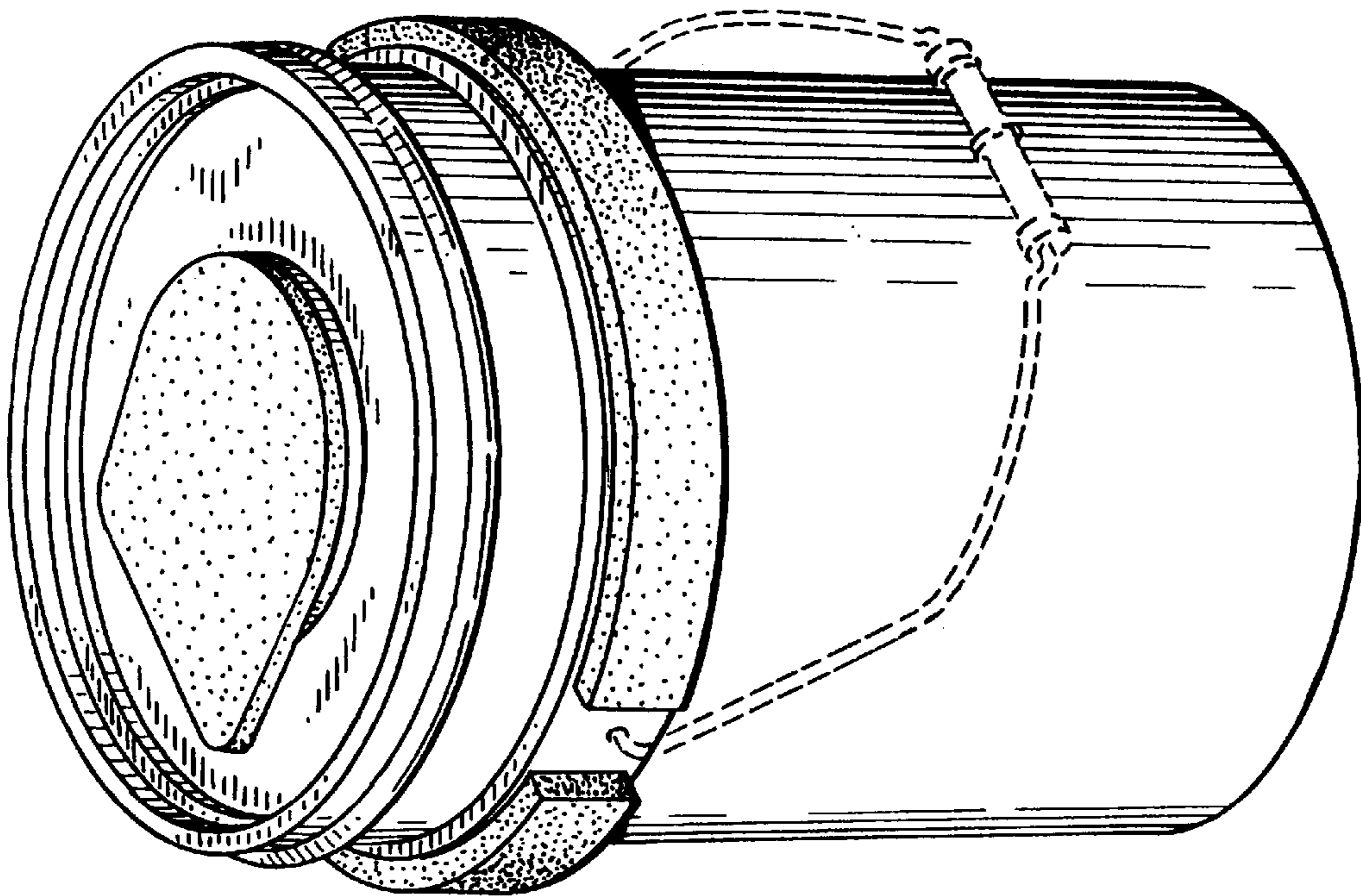


Fig. 1

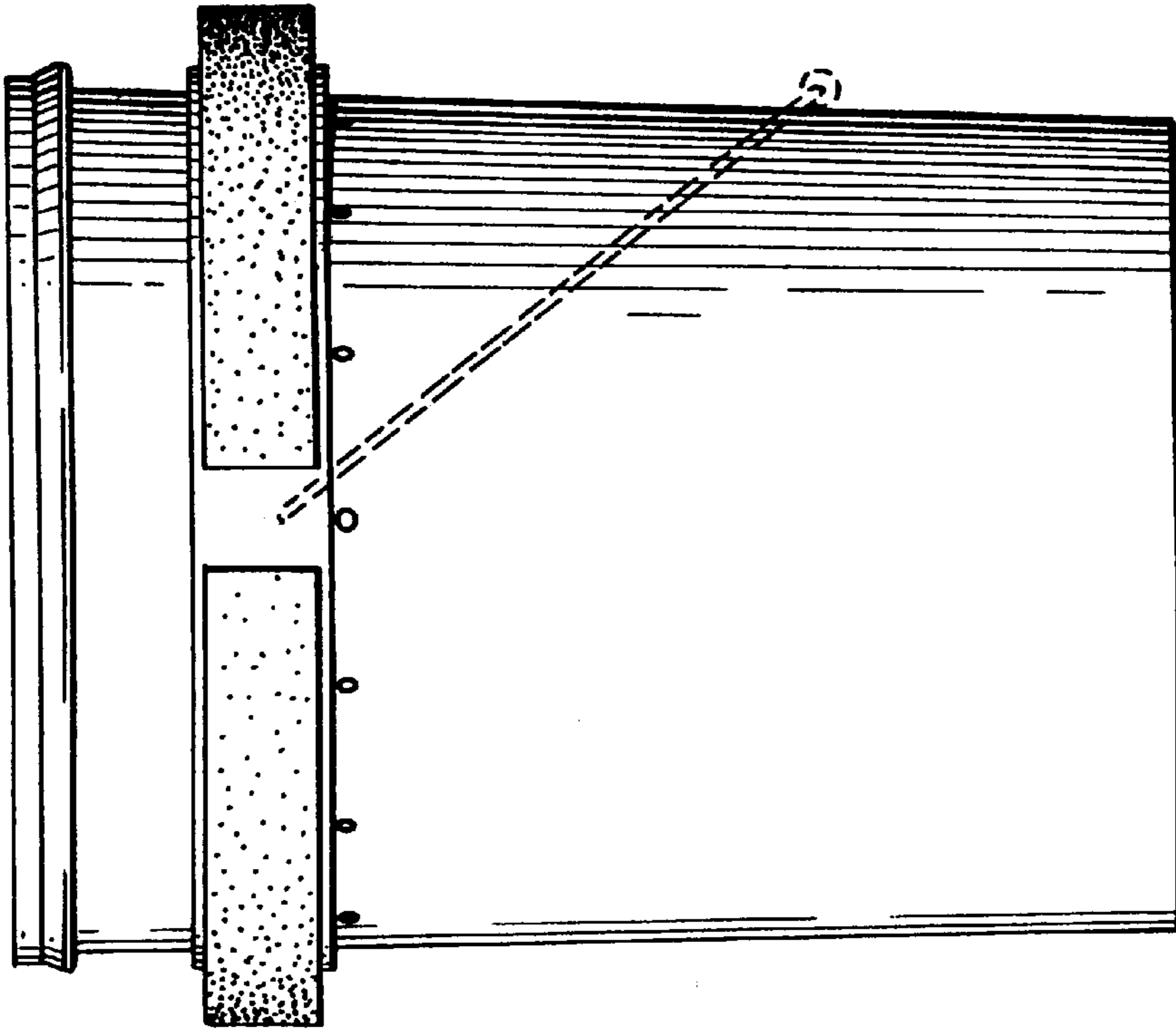


Fig. 1

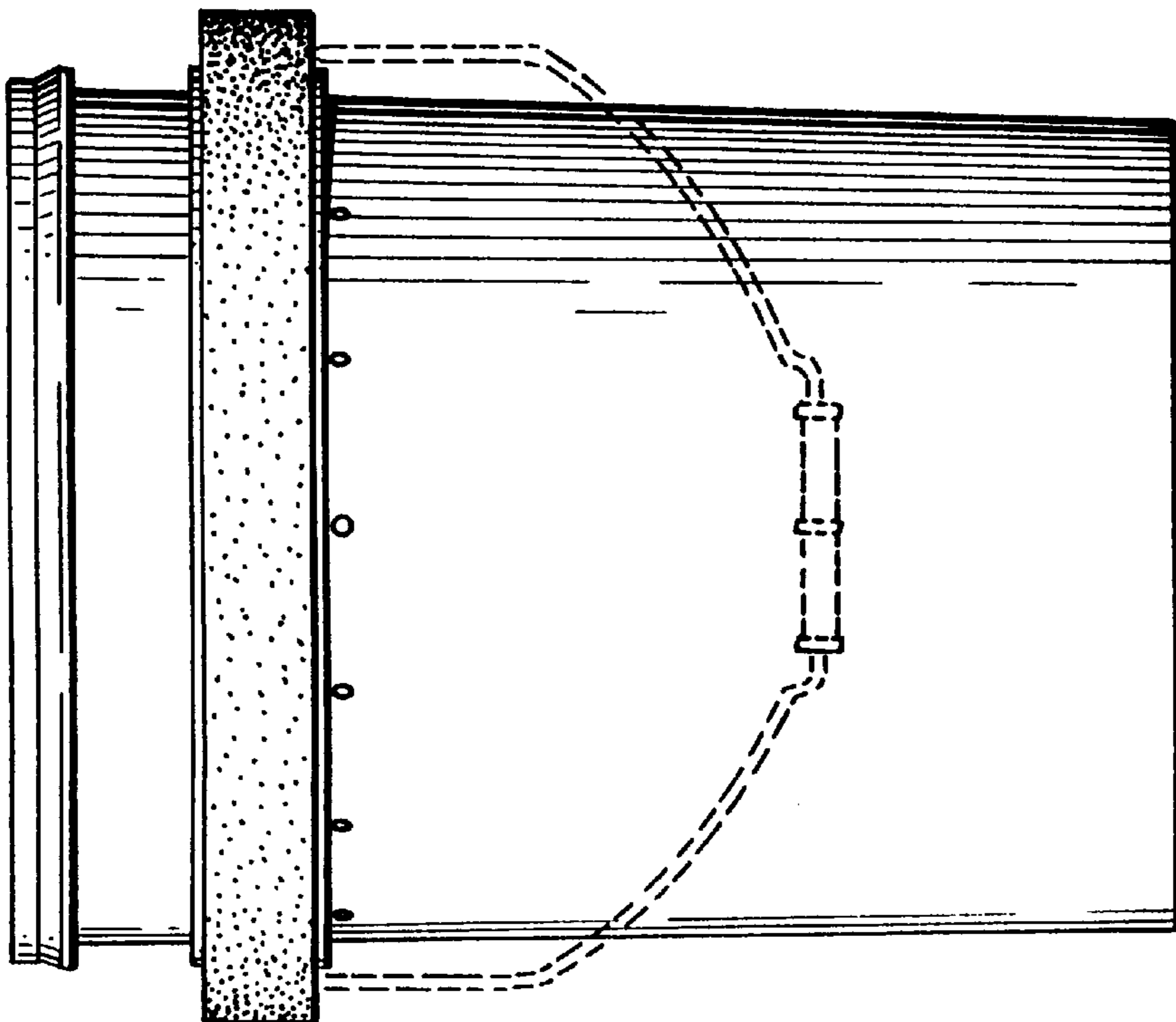


Fig. 3