



US00D425598S

United States Patent [19]
Langner

[11] **Patent Number: Des. 425,598**

[45] **Date of Patent: ** May 23, 2000**

[54] **BULLET CARTRIDGE EJECTION GUARD**

5,398,439 3/1995 Harless 42/98
5,669,172 9/1997 Goral 42/96

[76] Inventor: **F. Richard Langner**, P.O. Box 14706,
Scottsdale, Ariz. 85267

Primary Examiner—Louis S. Zarfaz
Assistant Examiner—Monica A. Weingart
Attorney, Agent, or Firm—LaValle D. Ptak

[**] Term: **14 Years**

[57] **CLAIM**

[21] Appl. No.: **29/102,769**

The ornamental design for a bullet cartridge ejection guard,
as shown and described.

[22] Filed: **Mar. 31, 1999**

DESCRIPTION

[51] **LOC (7) Cl.** **22-01**

[52] **U.S. Cl.** **D22/108; D22/100; D22/199**

[58] **Field of Search** D22/100, 108,
D22/199; 42/90, 96, 98

FIG. 1 is a top perspective view of a bullet cartridge ejection guard showing my new design in its position of use, the material shown in dotted lines not being a part of my design; FIG. 2 is a rear elevation view thereof; FIG. 3 is a bottom plan view thereof; FIG. 4 is a top plan view thereof; FIG. 5 is a front elevation view thereof; FIG. 6 is a left side elevation view thereof; and, FIG. 7 is a right side elevation view thereof.

[56] **References Cited**

U.S. PATENT DOCUMENTS

3,481,510	12/1969	Allen, Jr.	42/96
4,715,141	12/1987	Kohnke	42/98
4,903,426	2/1990	Bammate	42/98
5,285,593	2/1994	Bammate	42/98
5,377,438	1/1995	Sheinfeld et al.	42/96

1 Claim, 1 Drawing Sheet

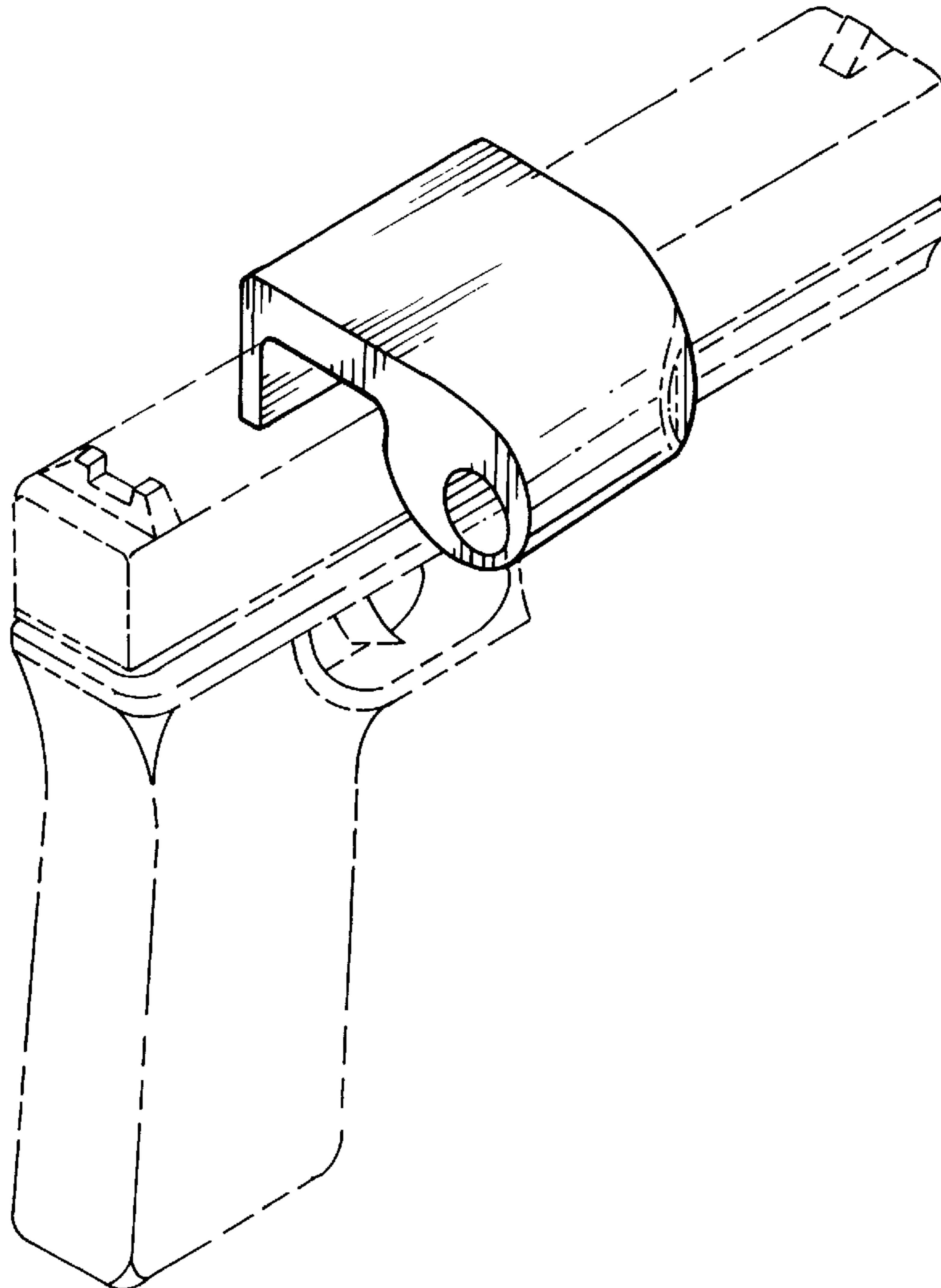


FIG. 1

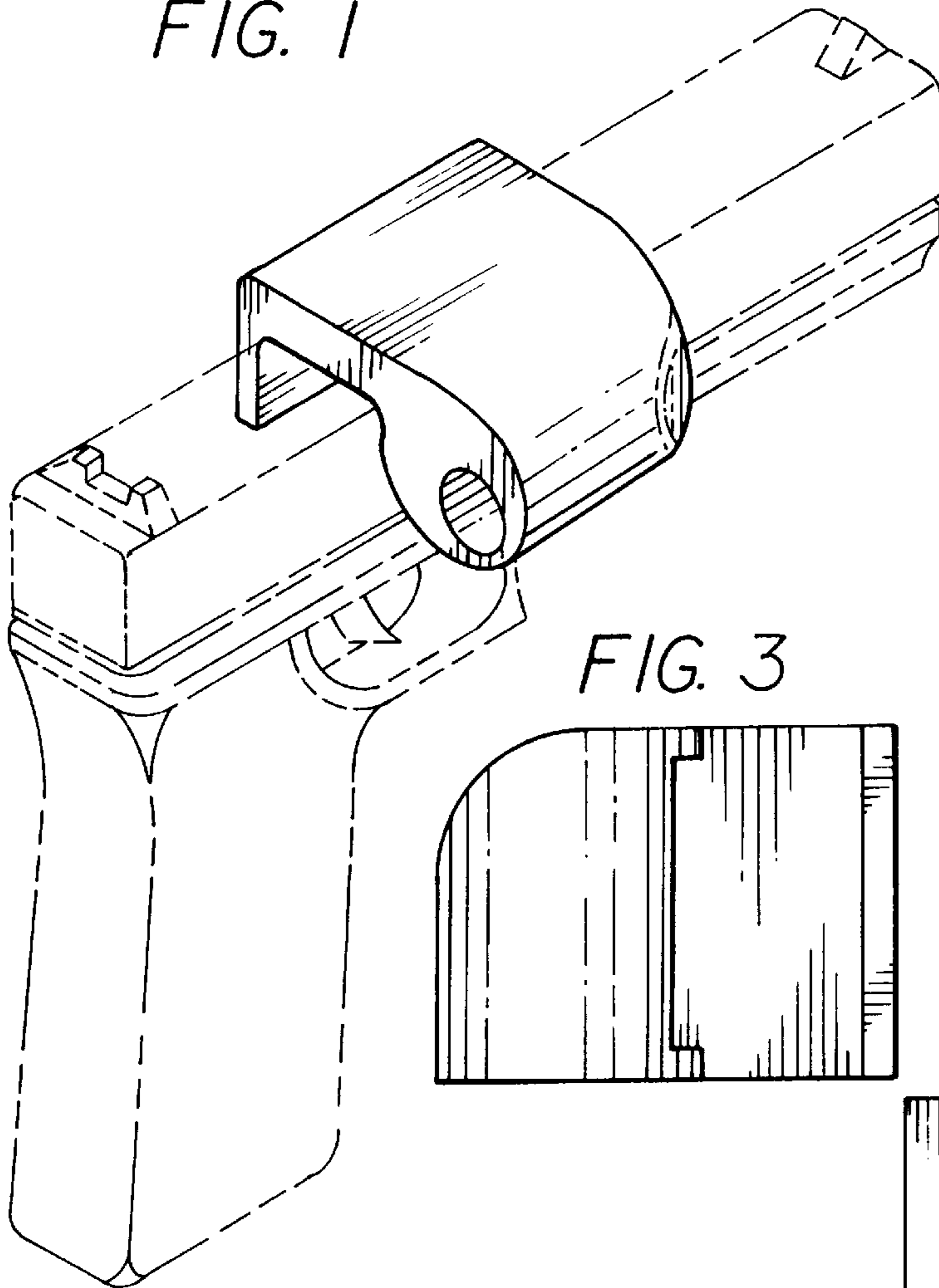


FIG. 2

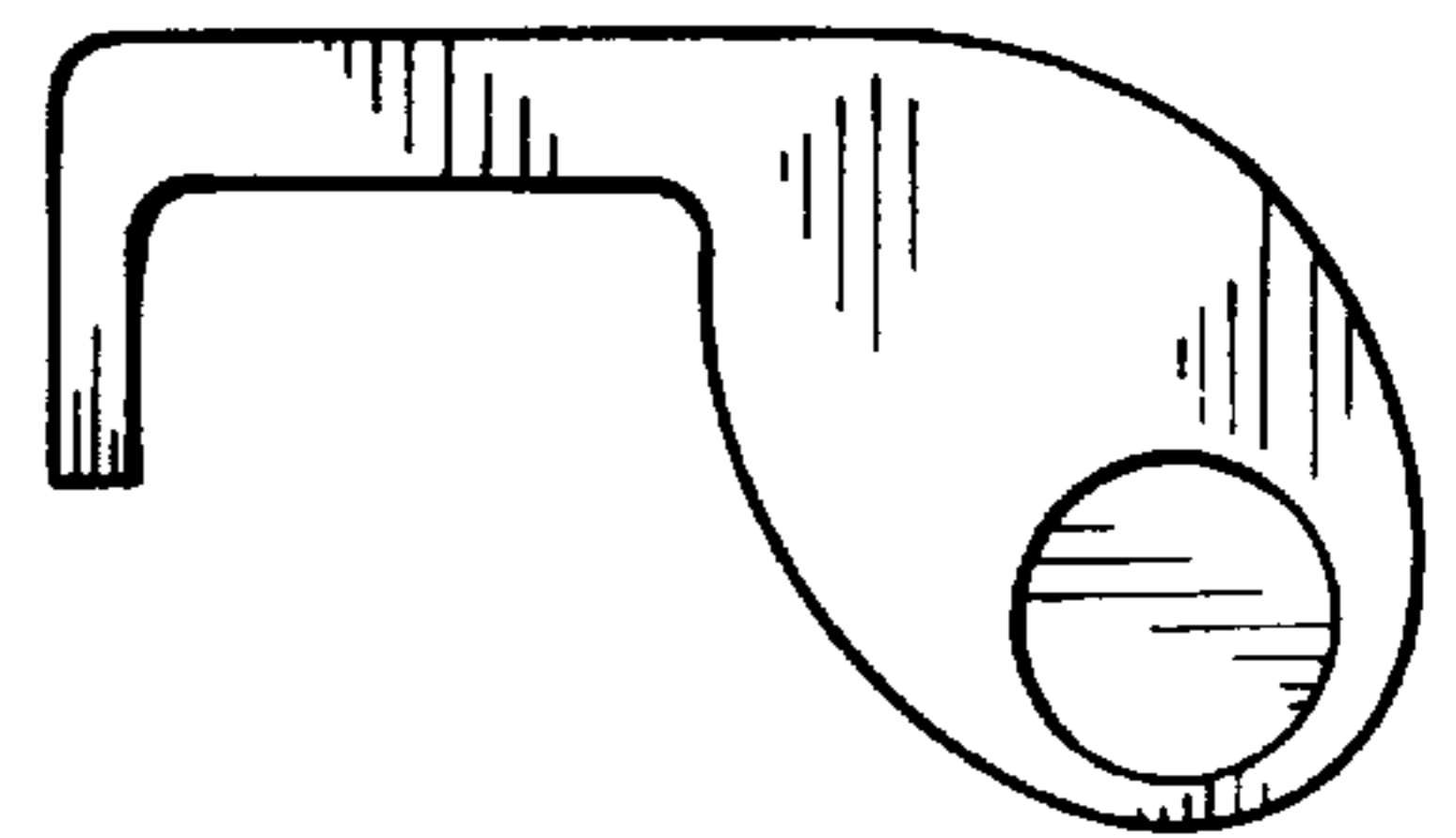


FIG. 3

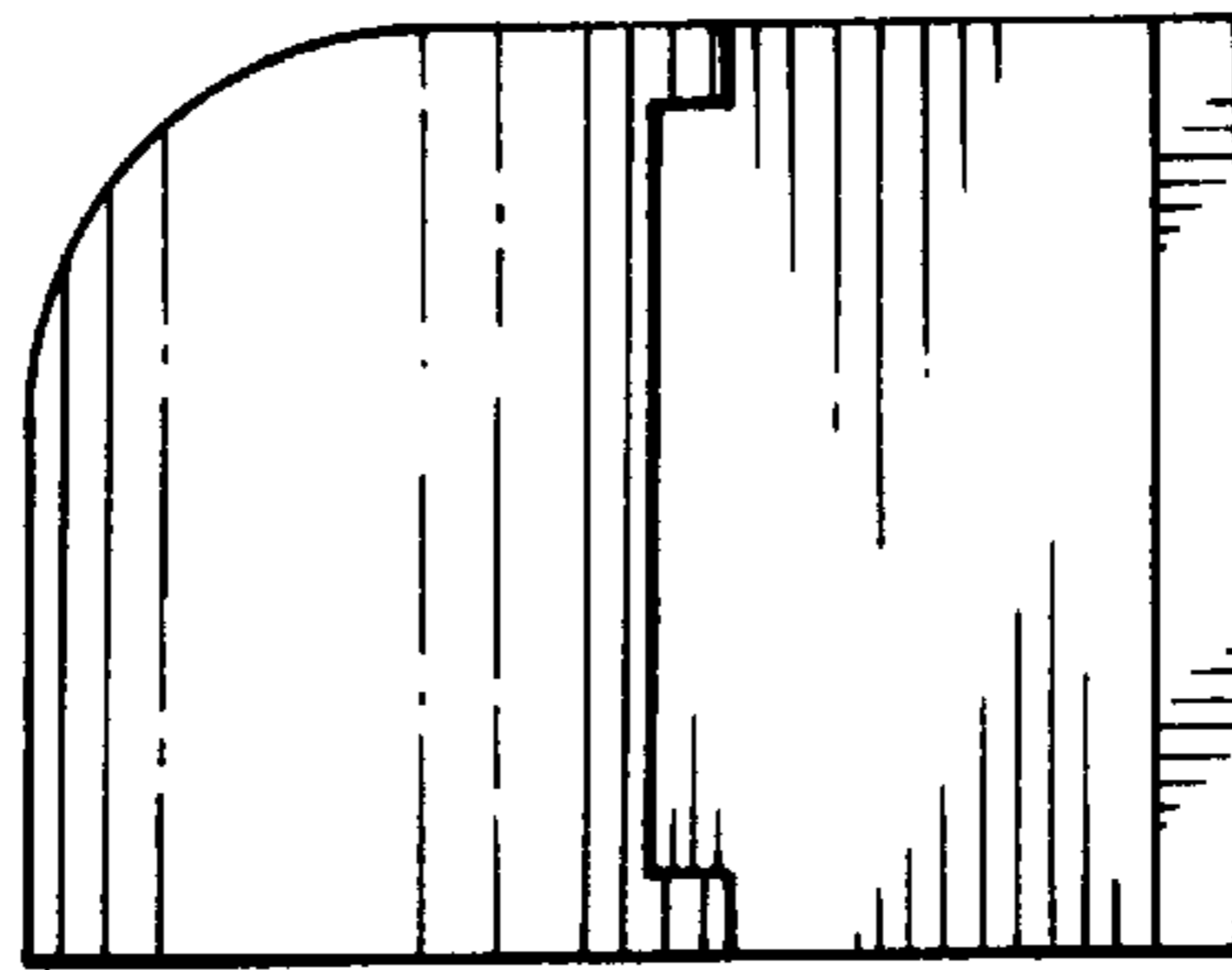


FIG. 4

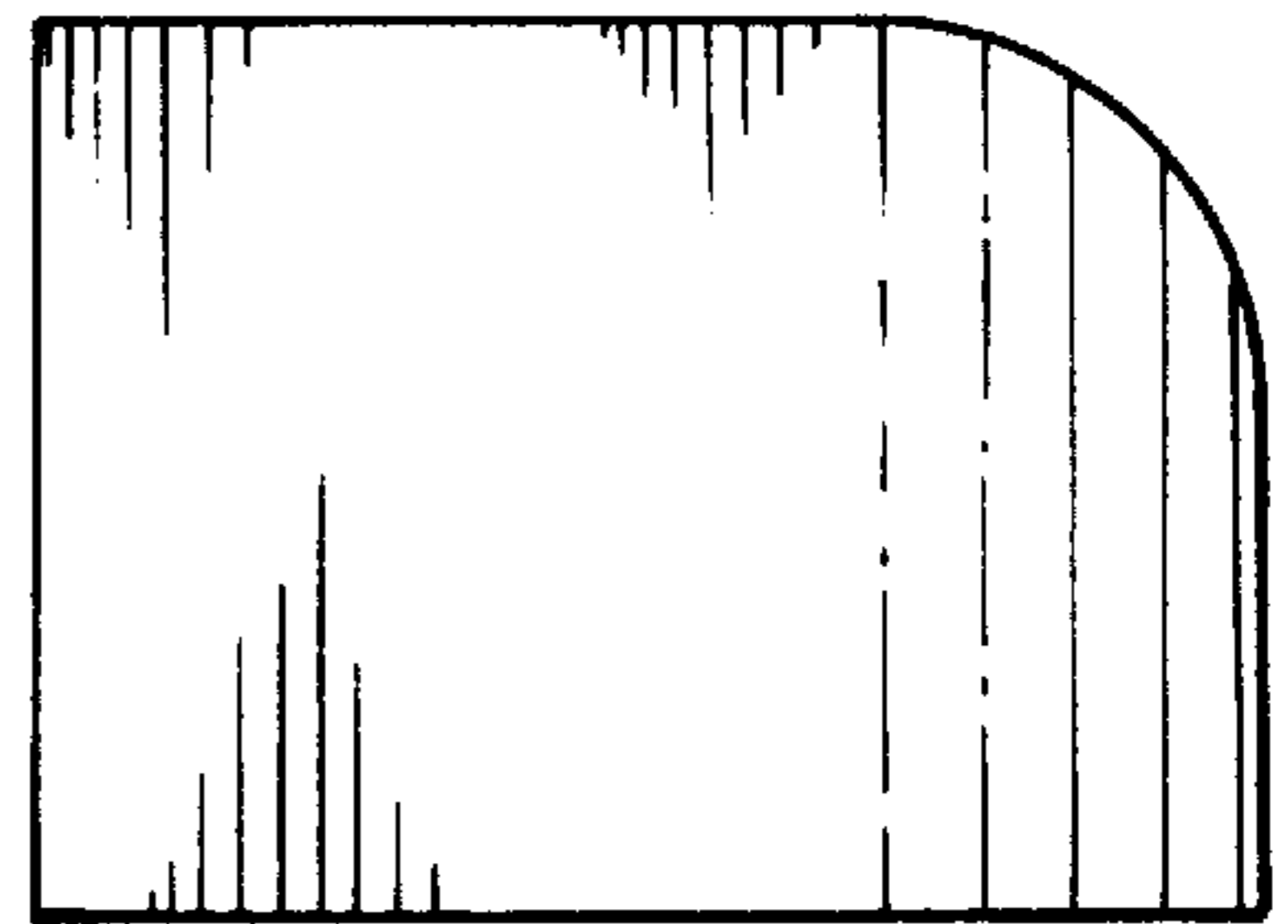


FIG. 5

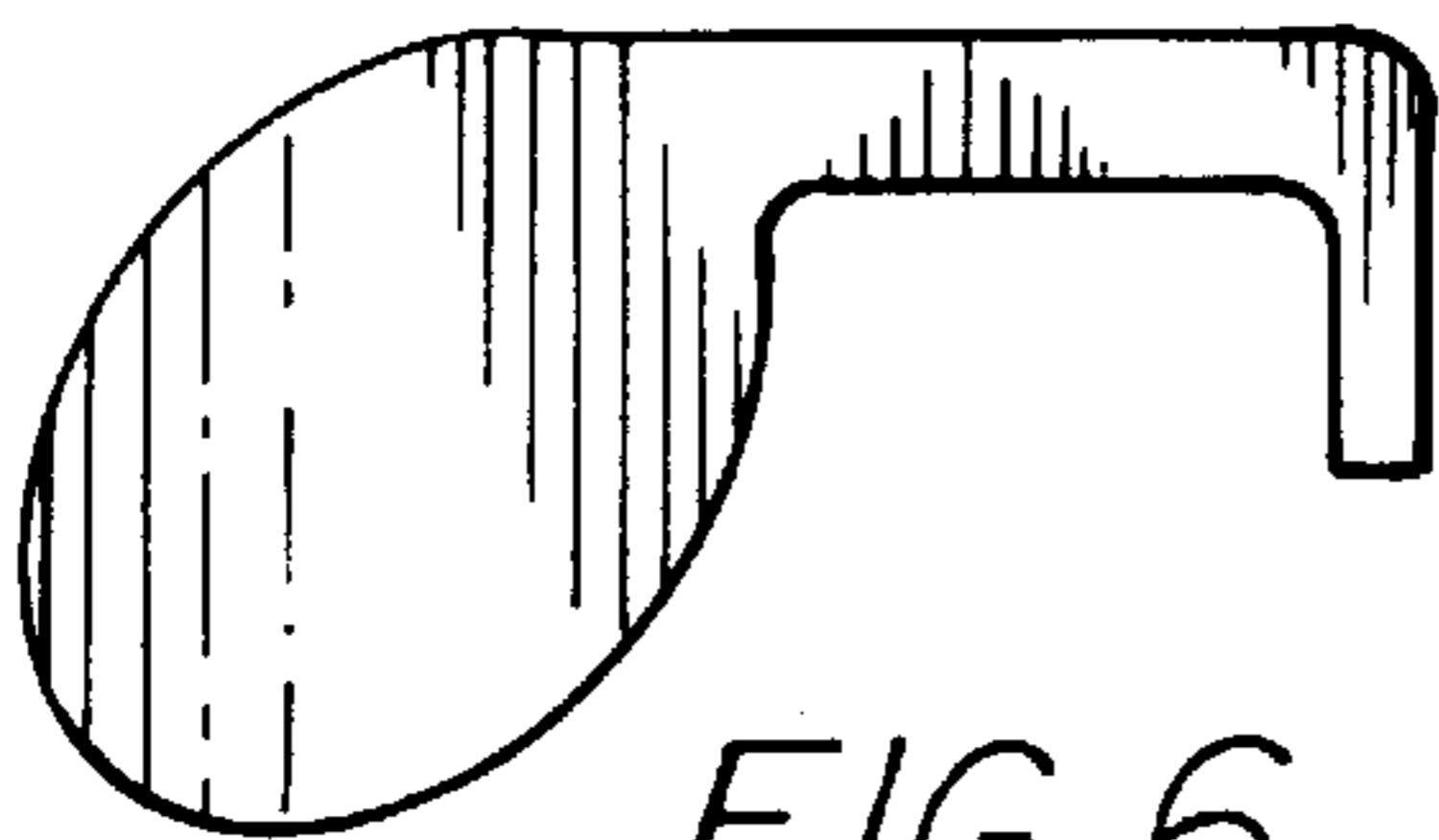


FIG. 6

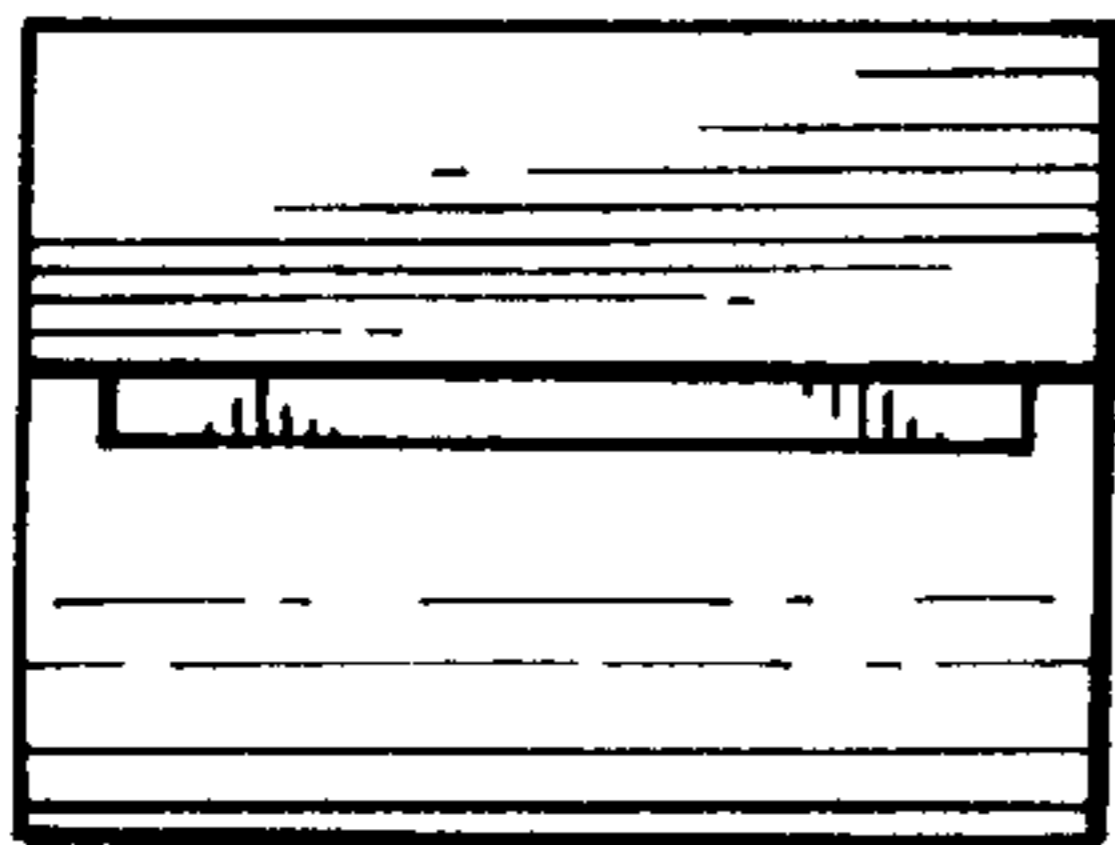


FIG. 7

