



US00D425596S

# United States Patent [19] Valvonis

[11] **Patent Number: Des. 425,596**

[45] **Date of Patent: \*\* May 23, 2000**

[54] **COMBINED PRACTICE PUTTING HOLE AND GOLF CLUB STAND**

D. 316,120 4/1991 Morris et al. .... D21/790  
2,236,869 4/1941 Daigle ..... 473/182

[76] Inventor: **Robert M. Valvonis**, 1543 48th St.,  
Pennsauken, N.J. 08110

*Primary Examiner*—Mitchell Siegel

[\*\*] Term: **14 Years**

[57] **CLAIM**

The ornamental design for a combined practice putting hole and golf club stand, as shown and described.

[21] Appl. No.: **29/108,102**

### DESCRIPTION

[22] Filed: **Jul. 20, 1999**

[51] **LOC (7) Cl.** ..... **21-02**

FIG. 1 is a front, elevational view.

[52] **U.S. Cl.** ..... **D21/789; D21/796**

FIG. 2 is a left side view, the upper portion shown in an alternate position.

[58] **Field of Search** ..... D21/789, 790,  
D21/791; 473/179, 195, 282, 293

FIG. 3 is a right side view of FIG. 2.

FIG. 4 is a perspective view of FIG. 1.

FIG. 5 is a rear view of FIG. 1.

FIG. 6 is a top perspective view of FIG. 2; and,

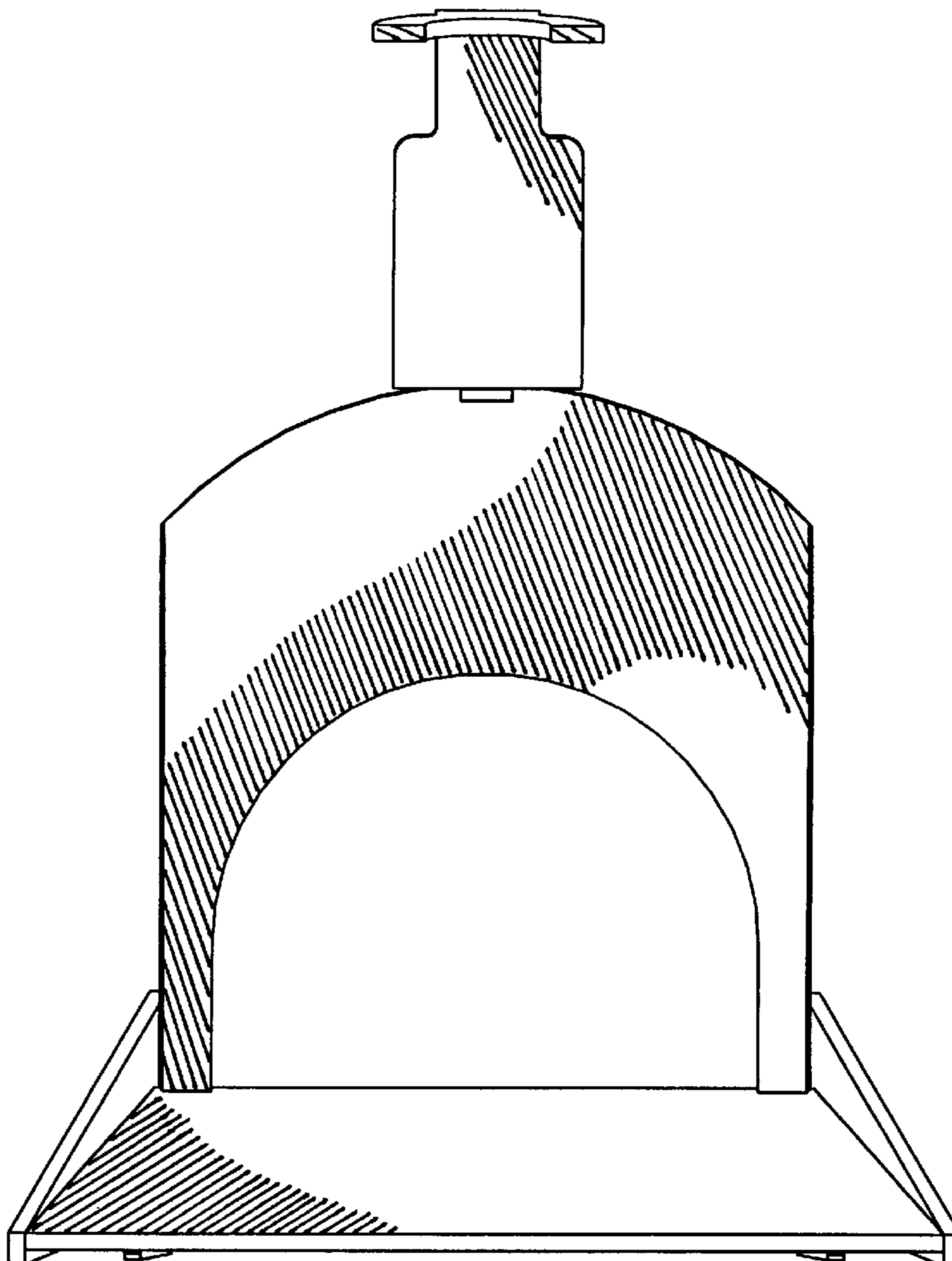
FIG. 7 is a bottom view of FIG. 1.

### [56] **References Cited**

#### U.S. PATENT DOCUMENTS

D. 241,259 8/1976 Perotts ..... D21/791  
D. 310,246 8/1990 Maloney, II ..... D21/790

**1 Claim, 7 Drawing Sheets**



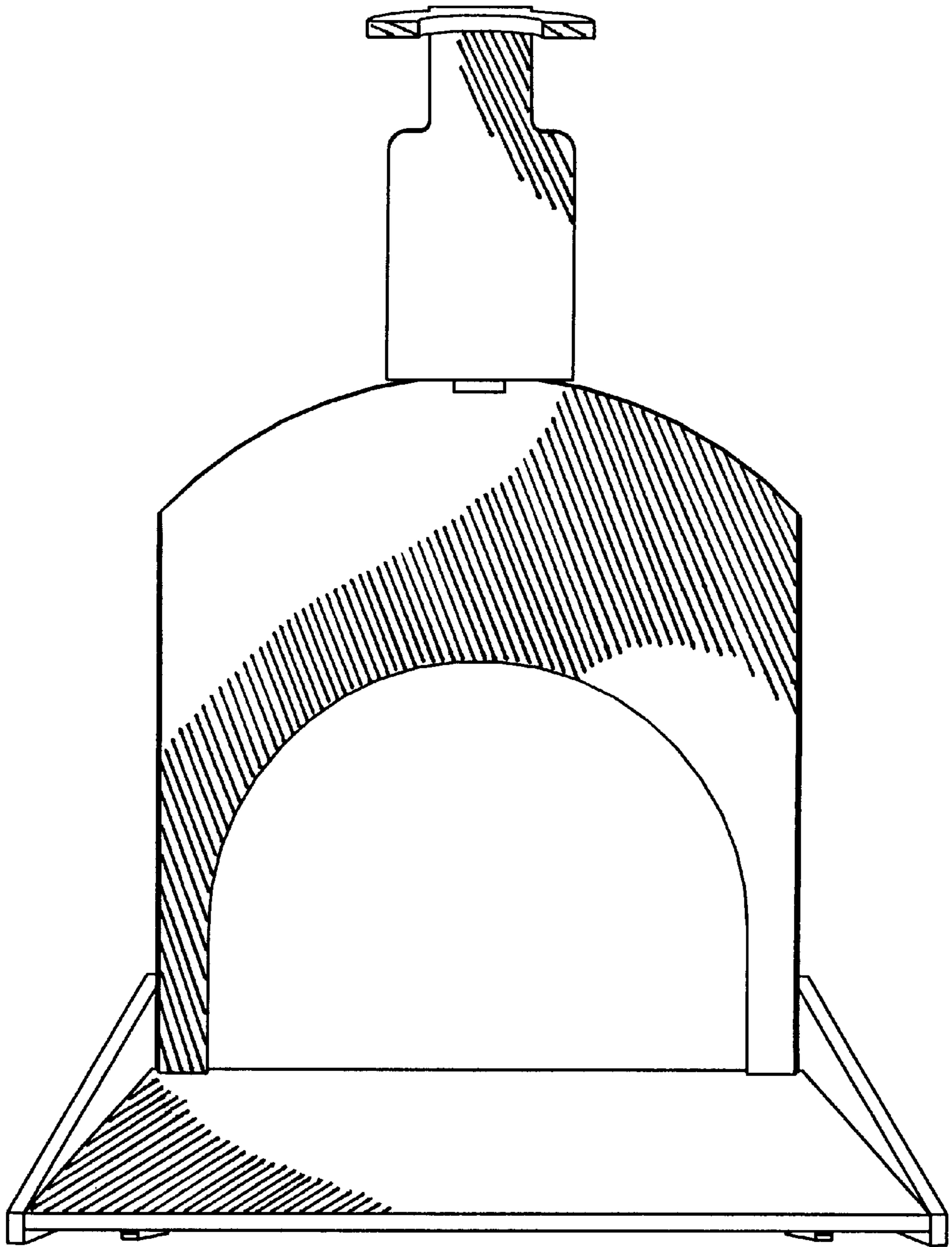


FIG. 1

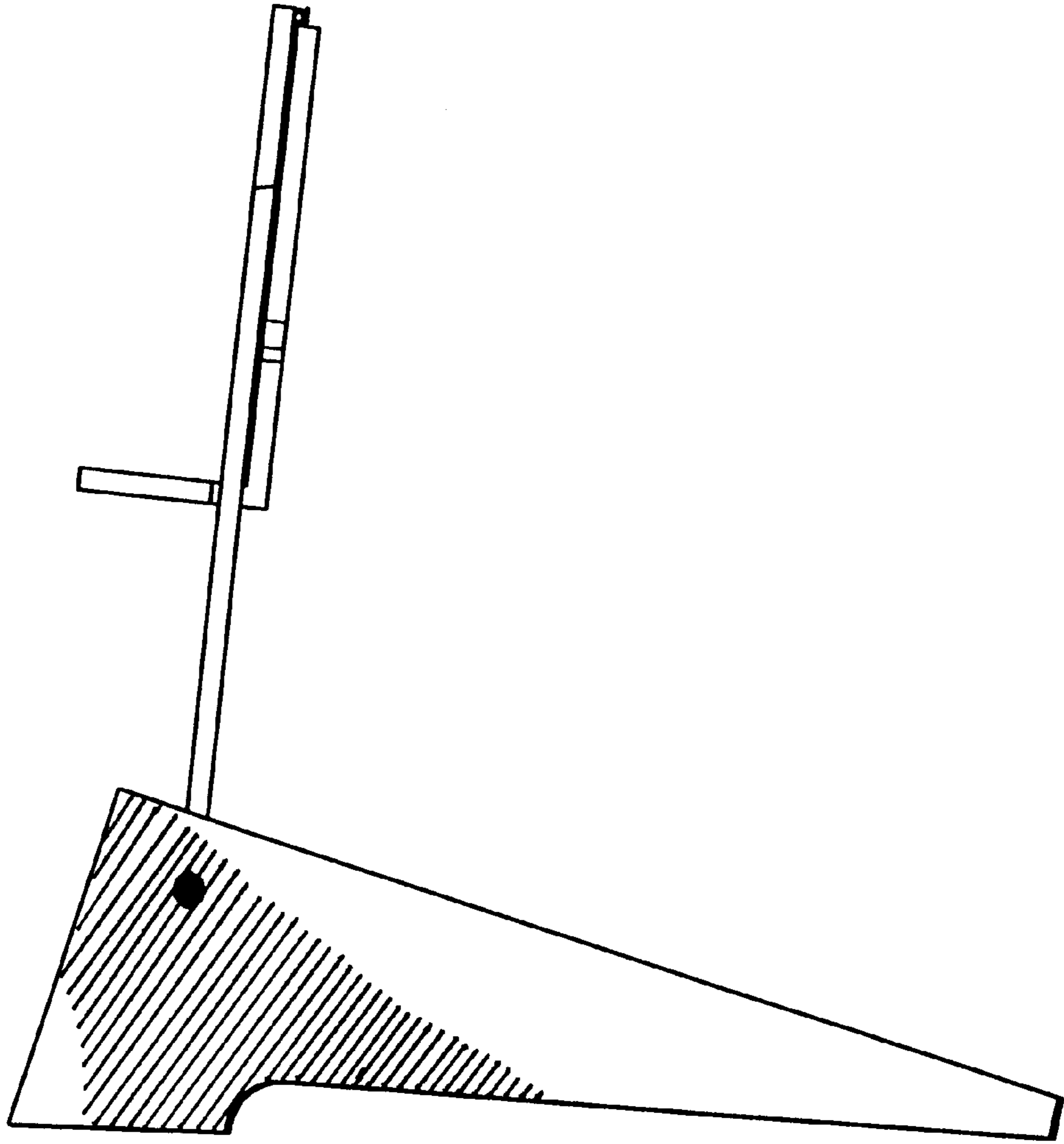


FIG. 2

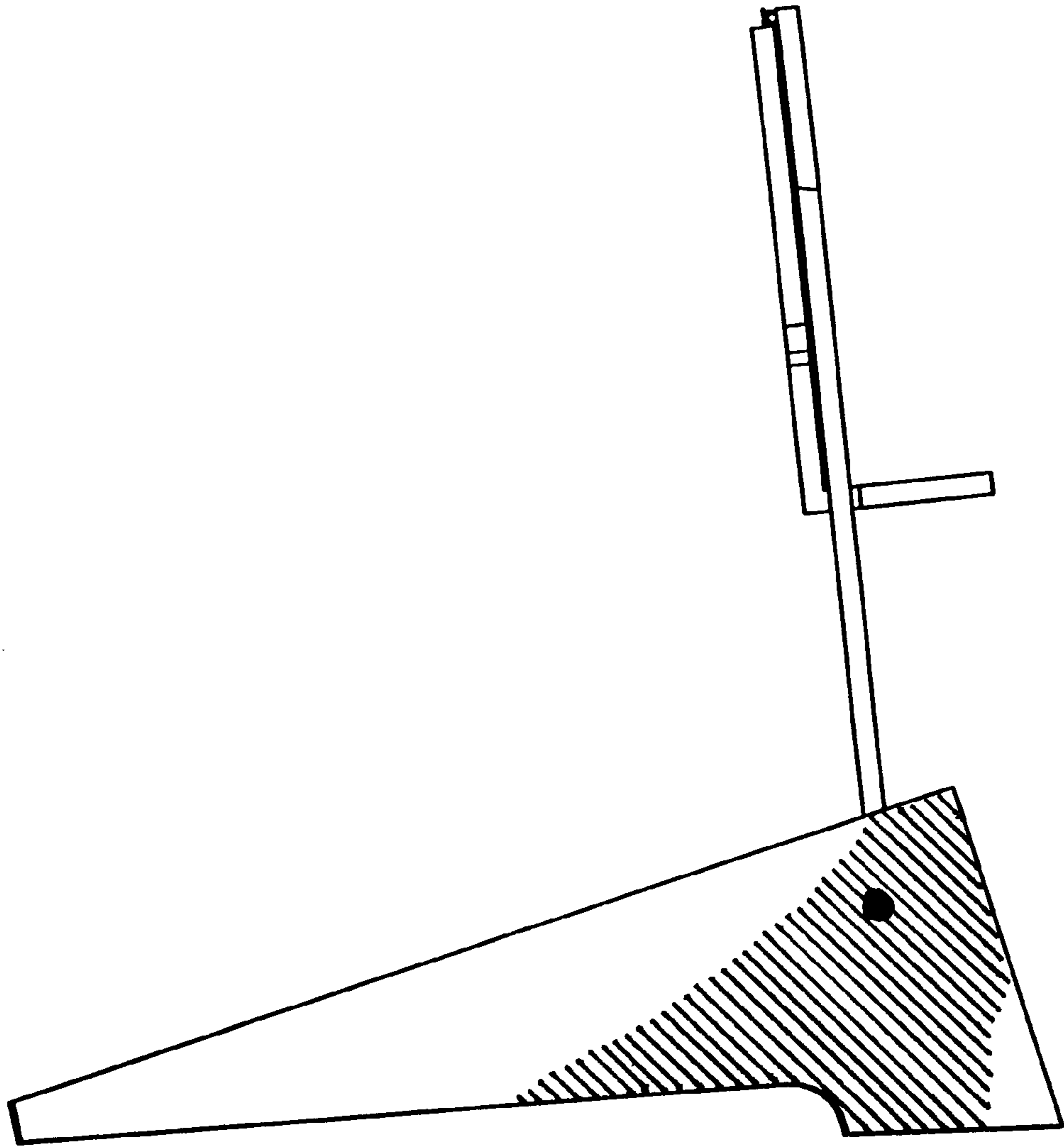


FIG. 3

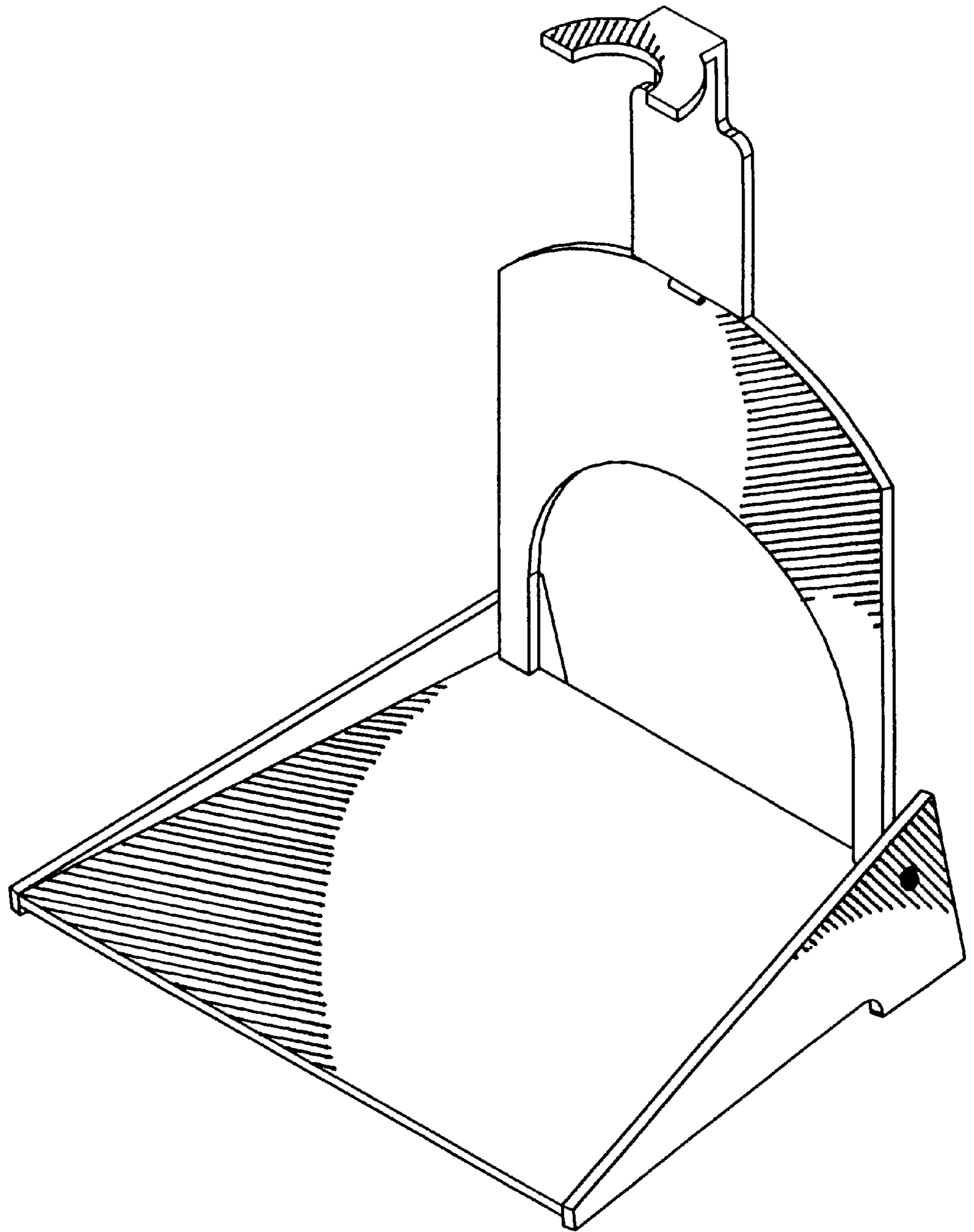


FIG. 4

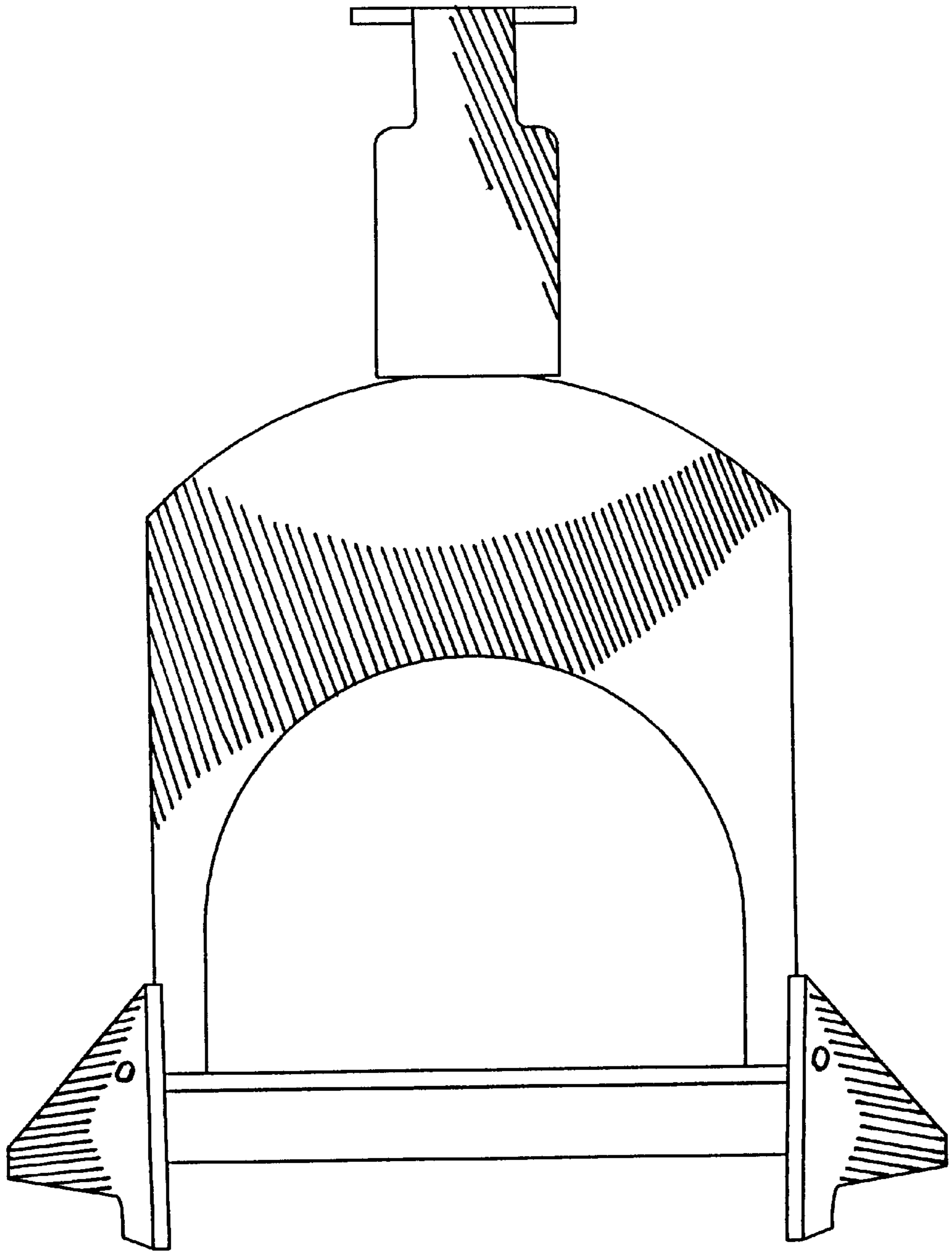


FIG. 5

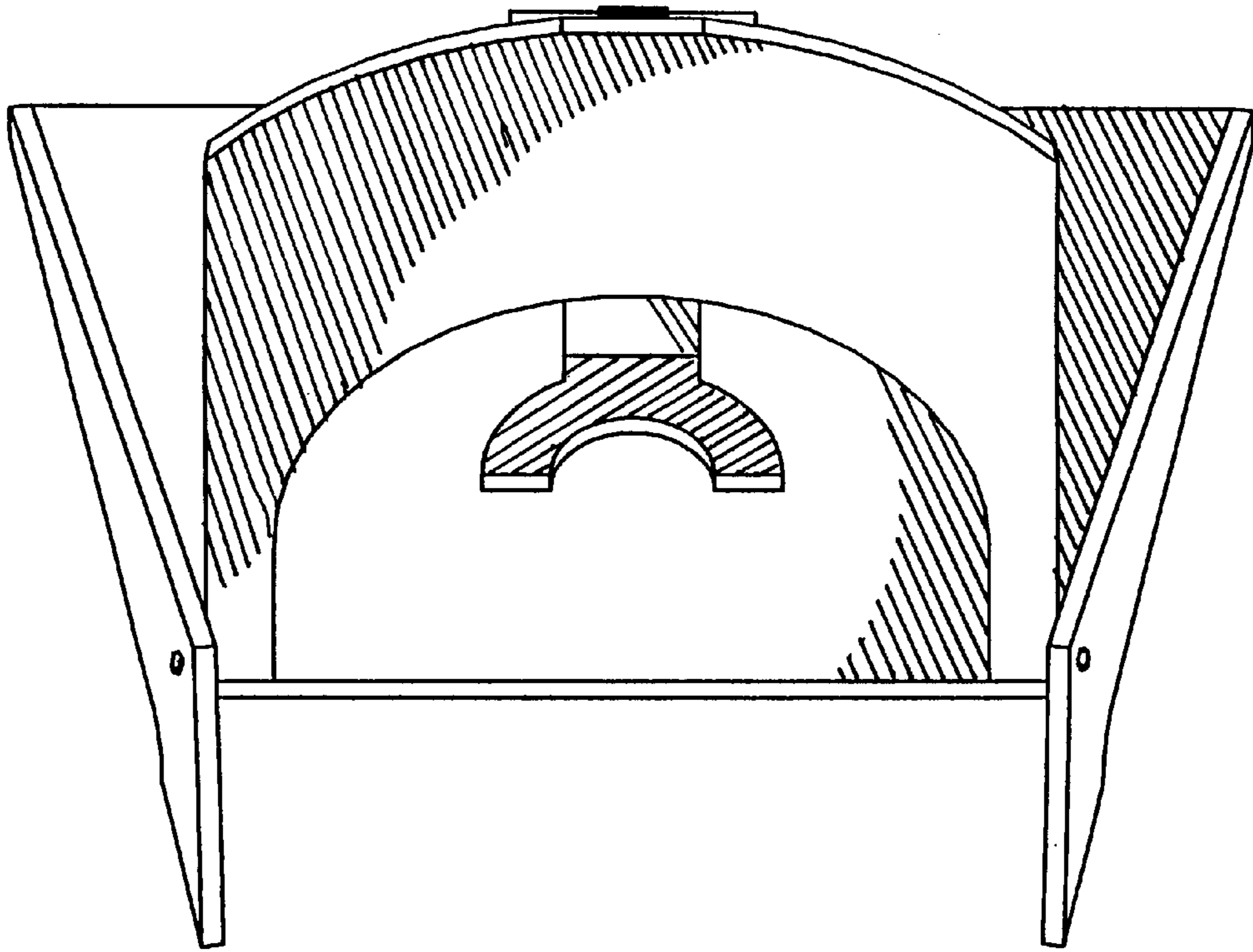


FIG. 6

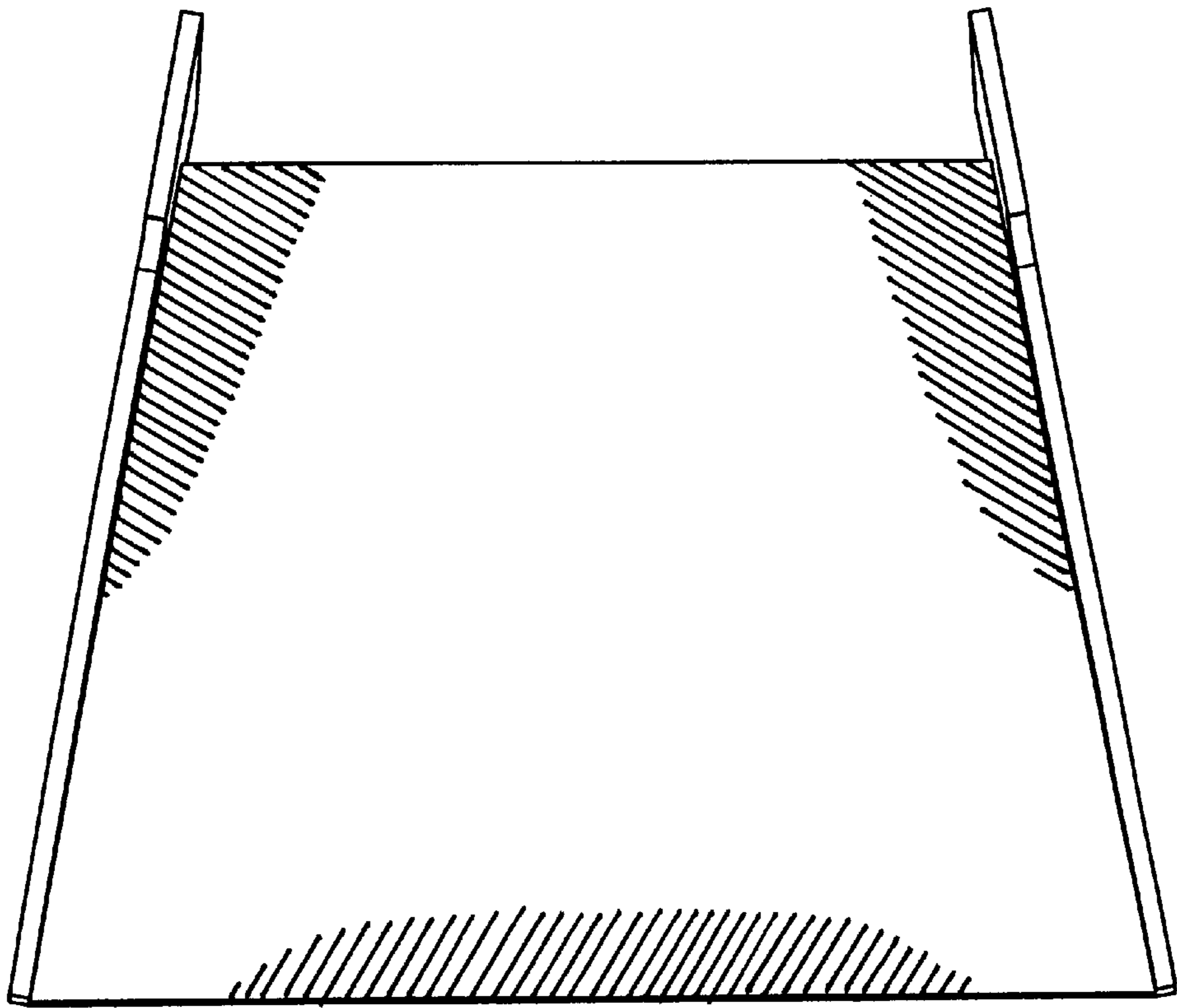


FIG. 7