



US00D425591S

United States Patent [19]

Drossos

[11] **Patent Number: Des. 425,591**

[45] **Date of Patent: ** May 23, 2000**

[54] **PUTTER HEAD**

[76] Inventor: **William Drossos**, 1206 Duncan Avenue,
Penticton, British Columbia, Canada,
V2A 2X2

[**] Term: **14 Years**

[21] Appl. No.: **29/102,887**

[22] Filed: **Apr. 1, 1999**

[51] **LOC (7) Cl.** **21-01**

[52] **U.S. Cl.** **D21/743**

[58] **Field of Search** D21/736-746;
473/251-256, 340, 341, 324, 329, 330,
331

[56] **References Cited**

U.S. PATENT DOCUMENTS

D. 218,108 7/1970 Wegener, Jr. D21/738
D. 357,043 4/1995 Turner D21/742

D. 410,718 6/1999 Christensen D21/744
5,618,239 4/1997 Rife 473/330
5,643,100 7/1997 Zabytko et al. 473/250

Primary Examiner—Mitchell Siegel
Attorney, Agent, or Firm—Antony C. Edwards

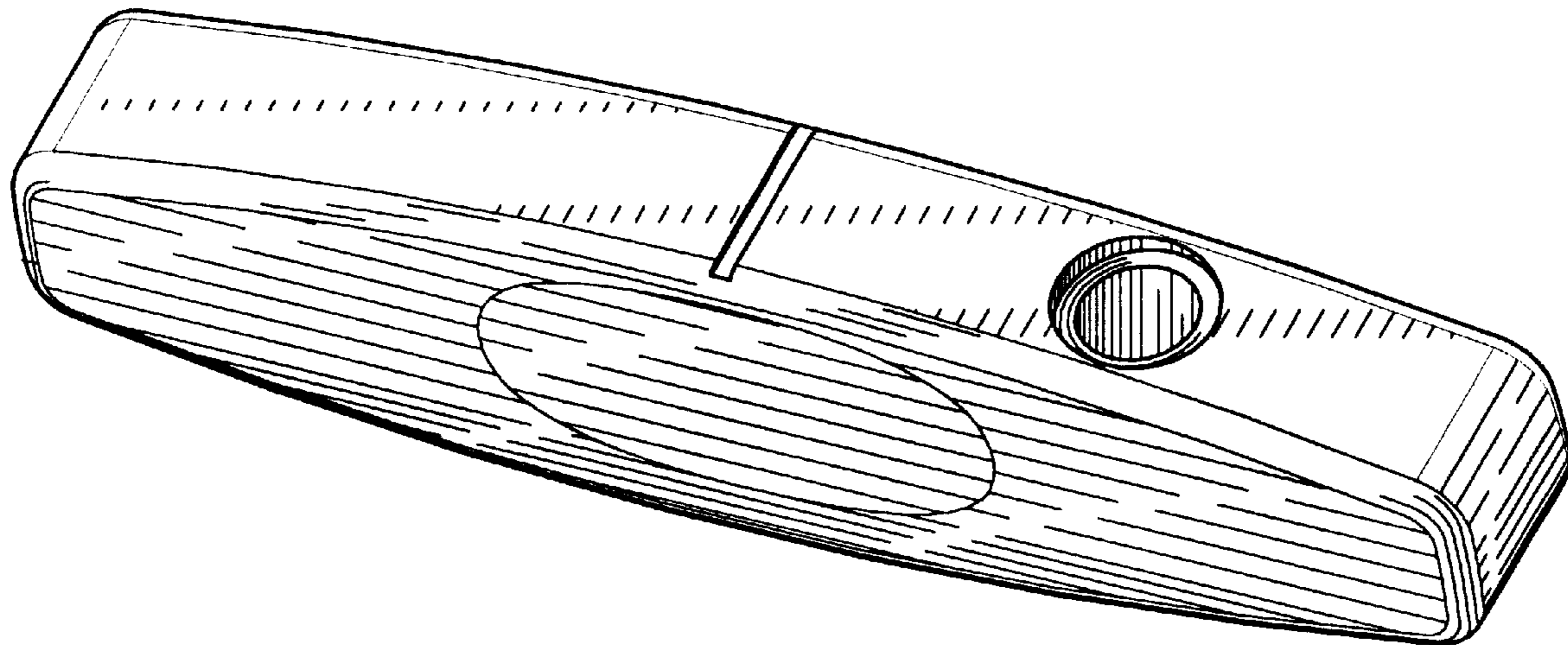
[57] **CLAIM**

The ornamental design for a putter head, as shown and described.

DESCRIPTION

FIG. 1 is a front perspective view of an embodiment of the putter head.
FIG. 2 is a front elevational view of the said embodiment, the rear plan view being a mirror image thereof.
FIG. 3 is a top plan view of the said embodiment.
FIG. 4 is a bottom plan view of the said embodiment.
FIG. 5 is a left side view of the said embodiment; and,
FIG. 6 is a right side view of the said embodiment.

1 Claim, 6 Drawing Sheets



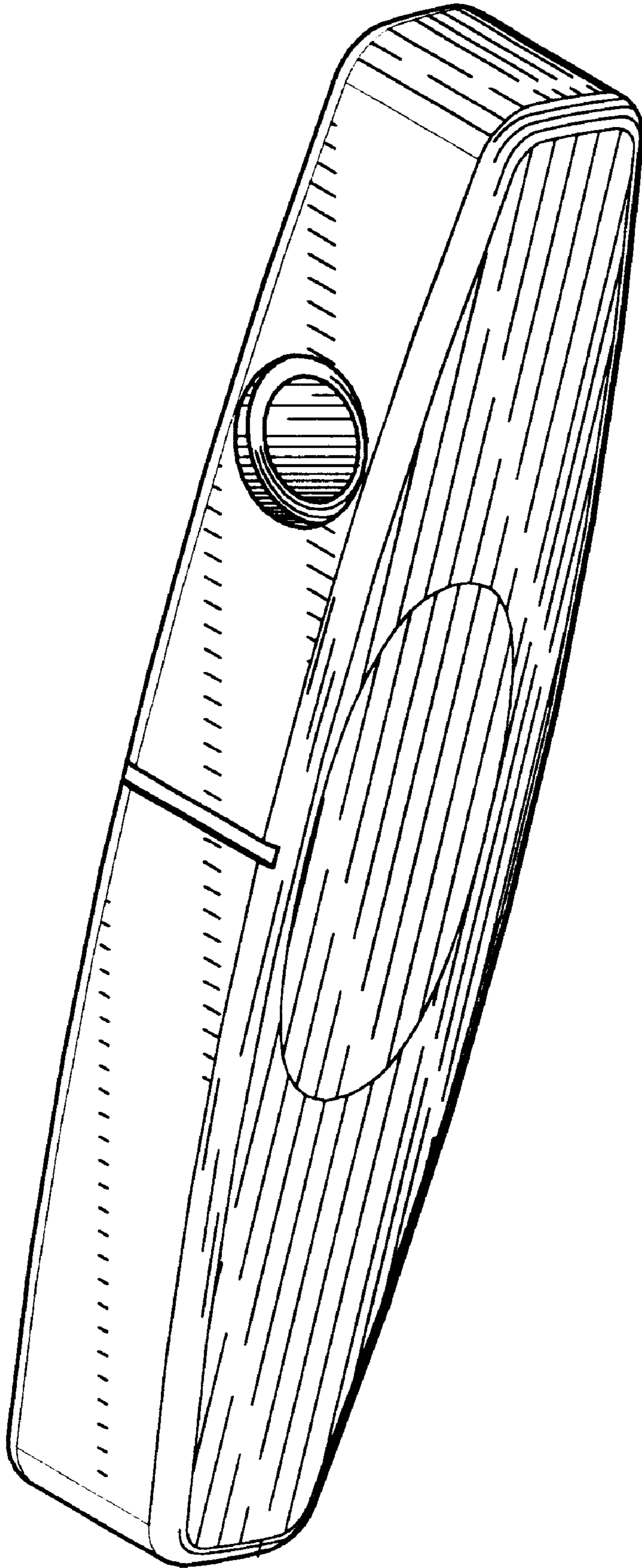


FIG. 1

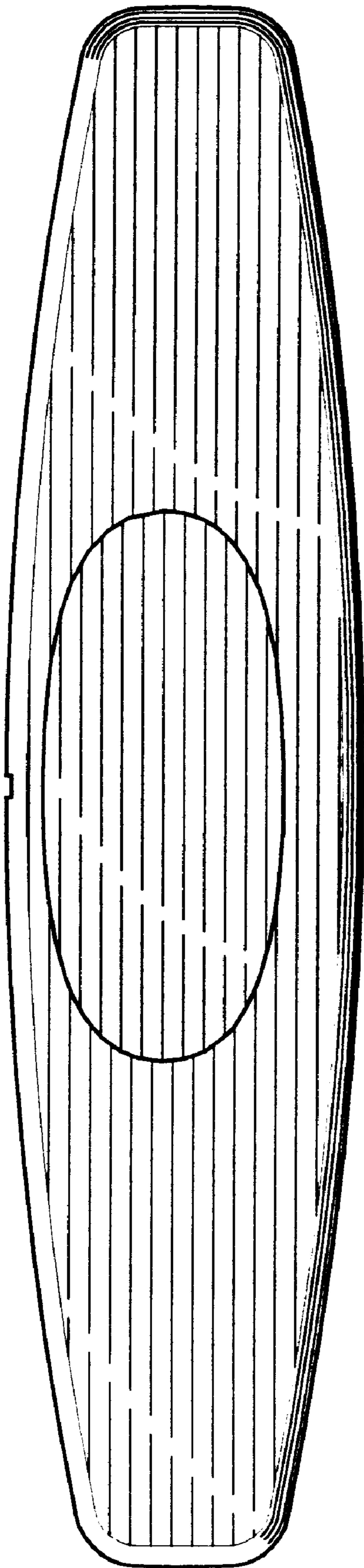


FIG. 2

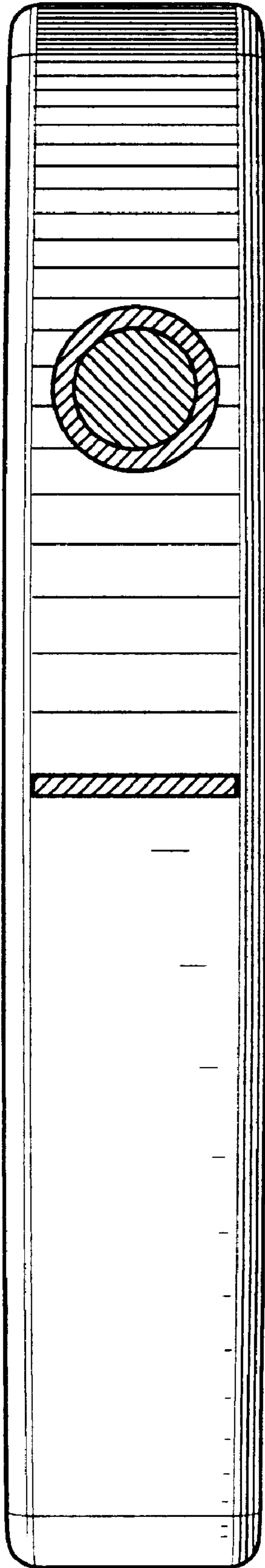


FIG. 3

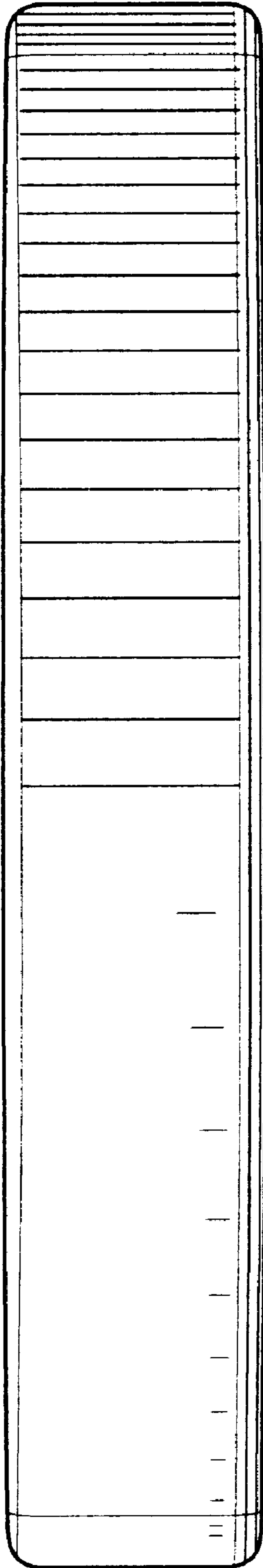


FIG. 4

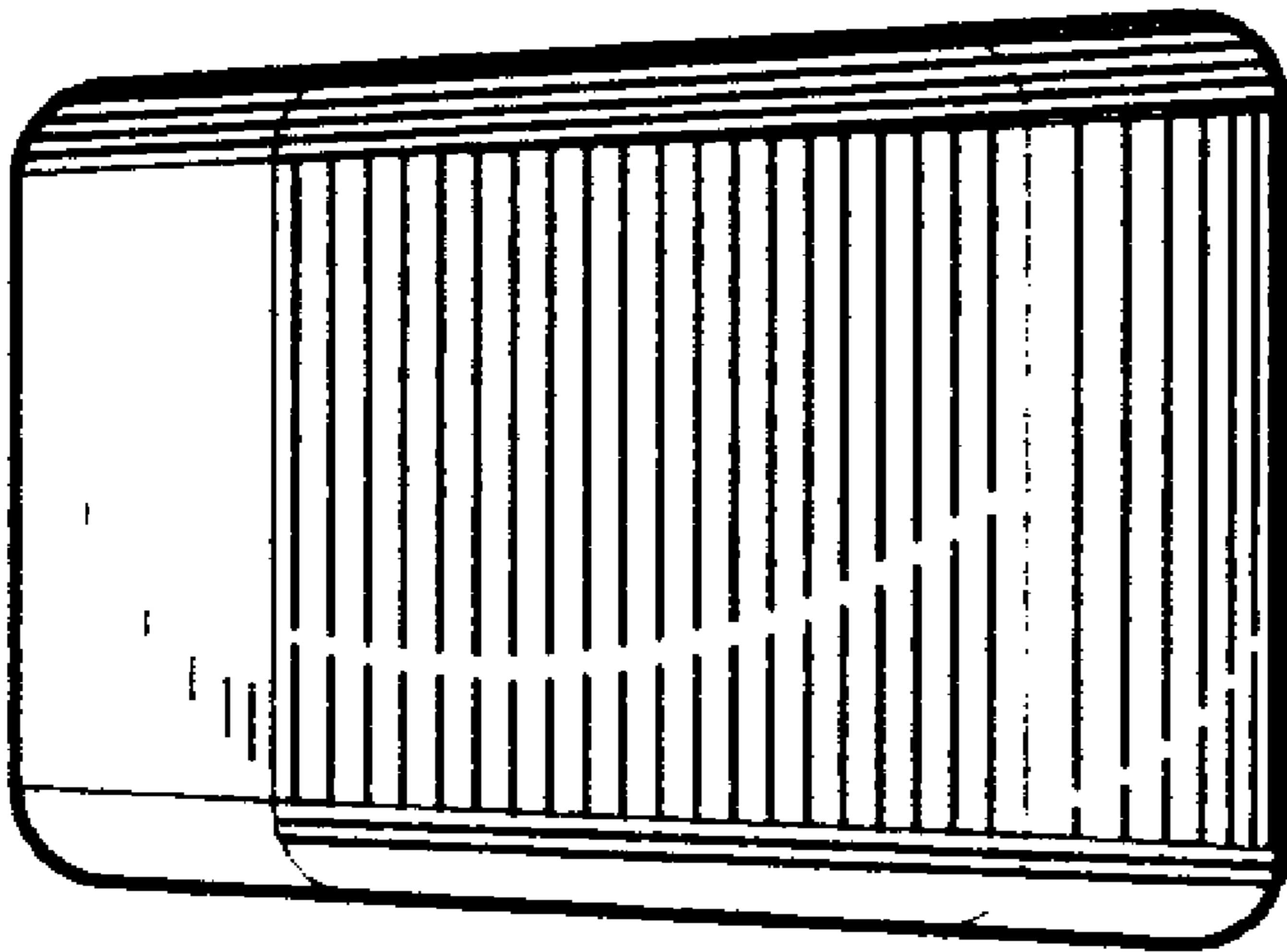


FIG. 5

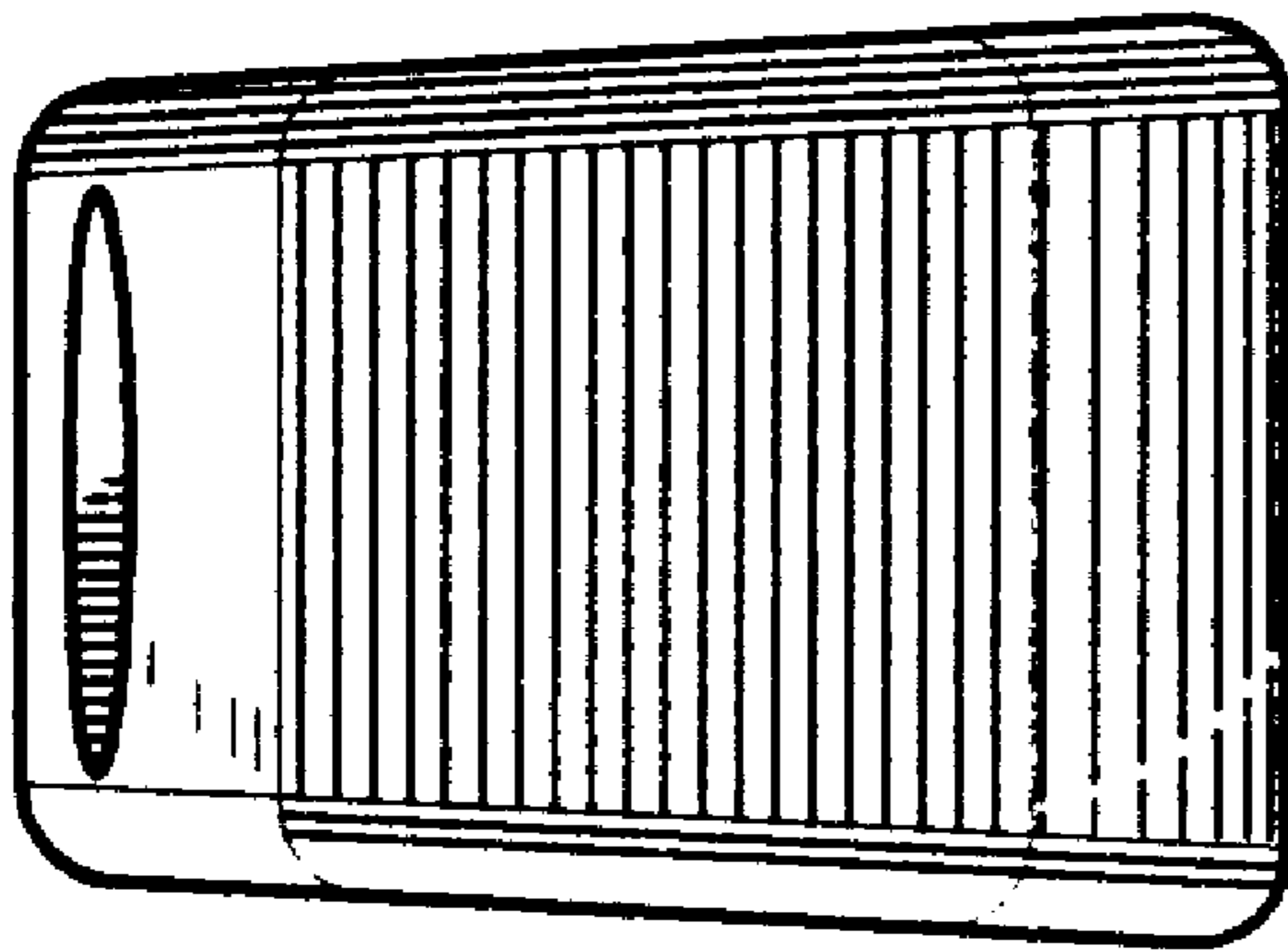


FIG. 6