



US00D425577S

United States Patent [19] Bao

[11] Patent Number: **Des. 425,577**

[45] Date of Patent: **** May 23, 2000**

[54] **TOY CRANE EXCAVATOR**

[75] Inventor: **Wei Gang Bao**, Hefei, China

[73] Assignee: **Golden Bright Manufacturer Ltd.**,
Kowloon, The Hong Kong Special
Administrative Region of the People's
Republic of China

[**] Term: **14 Years**

[21] Appl. No.: **29/100,903**

[22] Filed: **Feb. 22, 1999**

[30] **Foreign Application Priority Data**

Jan. 6, 1999 [HK] The Hong Kong Special Administra-
tive Region of the People's Republic
of China 9910008.7M002

[51] **LOC (7) Cl.** **21-01**

[52] **U.S. Cl.** **D21/537**

[58] **Field of Search** D21/533, 537,
D21/539, 431; D12/1; D15/24, 25; D34/33,
34; 446/424, 425-427, 433, 465, 470

[56] **References Cited**

U.S. PATENT DOCUMENTS

D. 171,626 3/1954 Way D34/34

D. 208,693	9/1967	Prime	D15/24
D. 246,479	11/1977	Asano	D21/537
D. 409,629	5/1999	Miyaoka et al.	D15/25
1,652,135	12/1927	Arden	D21/537
1,748,400	2/1930	Sabin	446/425
5,267,887	12/1993	Licata et al.	446/425

Primary Examiner—Raphael Barkai
Attorney, Agent, or Firm—Merchant & Gould P.C.

[57] **CLAIM**

The ornamental design for toy crane excavator, as shown and described.

DESCRIPTION

FIG. 1 is a front elevational view of an embodiment of a toy crane excavator showing my new design;
FIG. 2 is a rear elevational view thereof;
FIG. 3 is a top elevational view thereof;
FIG. 4 is a bottom elevational view thereof;
FIG. 5 is a left side elevational view thereof; and,
FIG. 6 is a right side elevational view thereof.

1 Claim, 6 Drawing Sheets

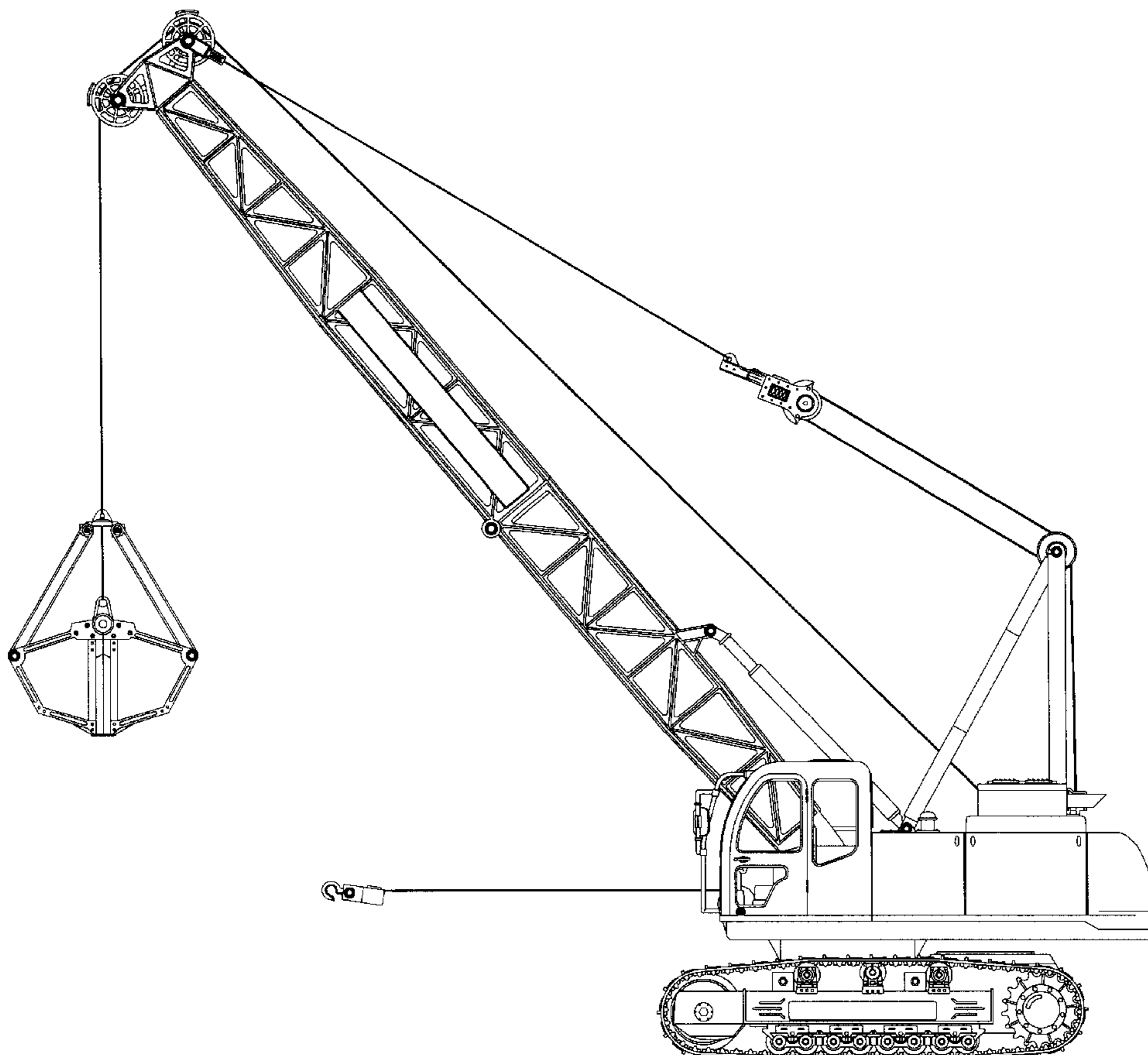


FIG. 1

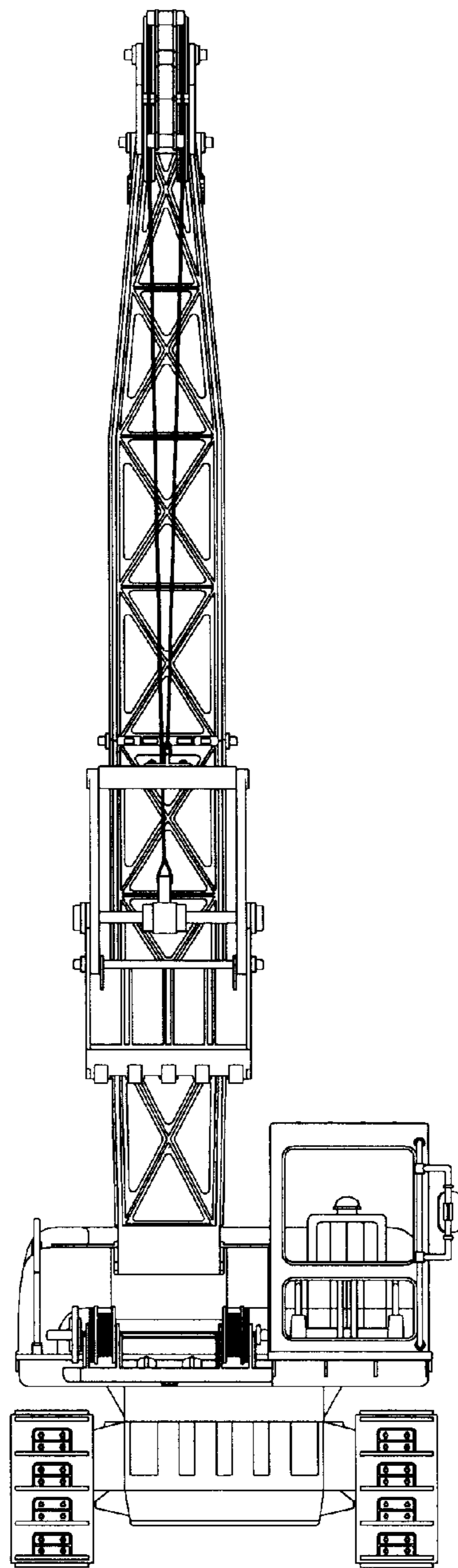


FIG. 2

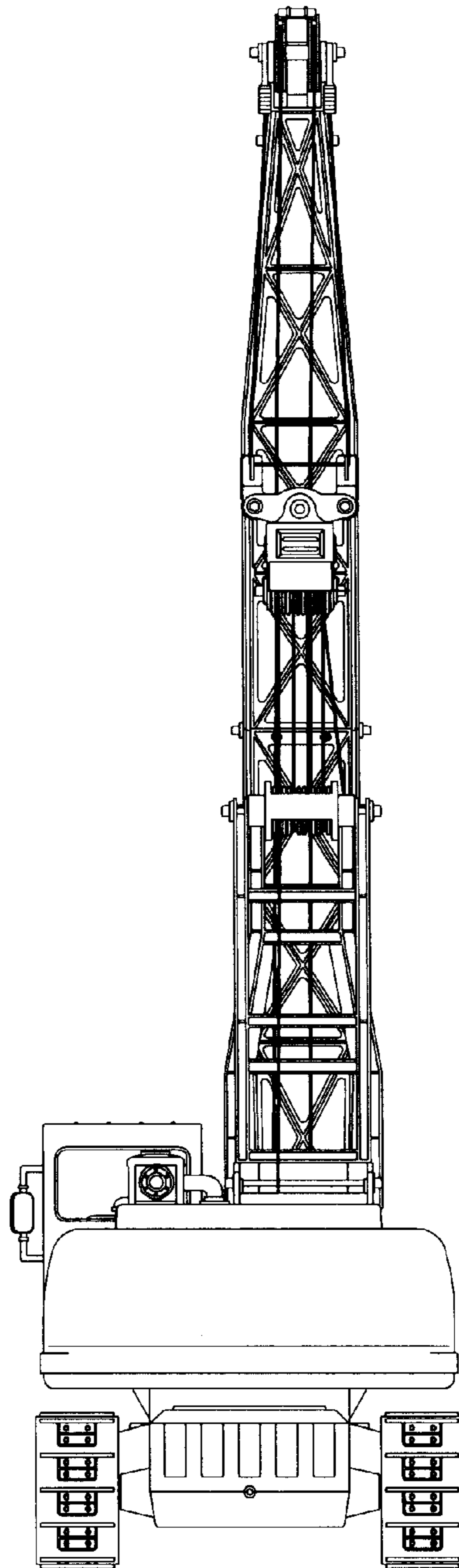


FIG. 3

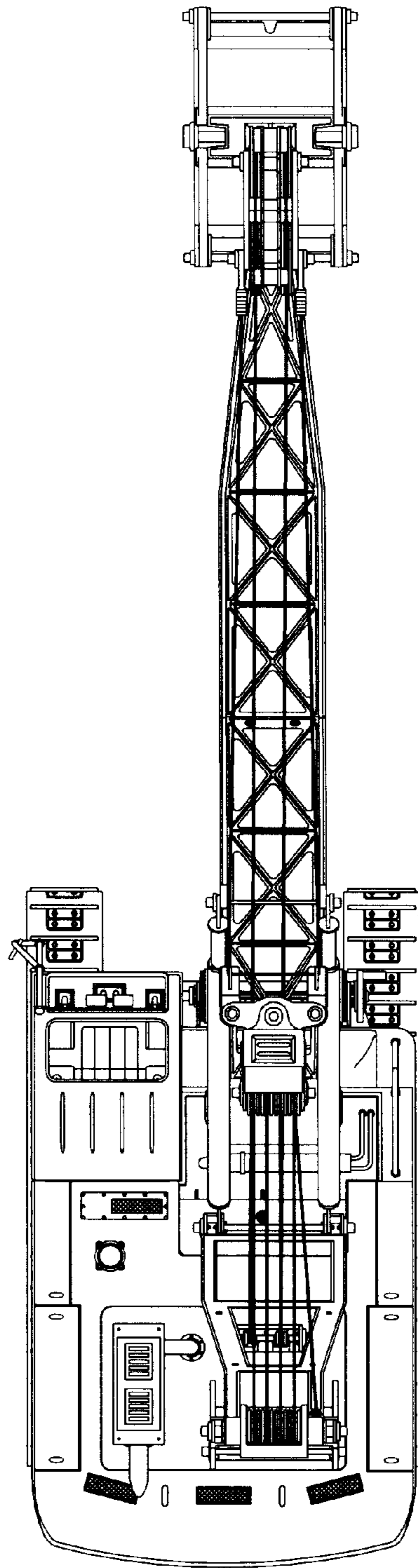


FIG. 4

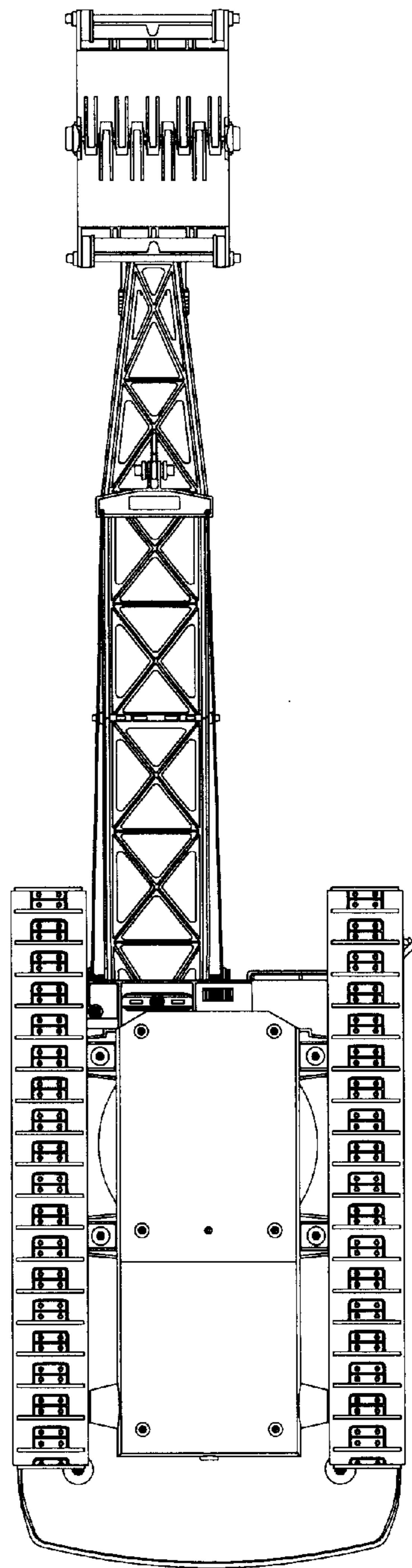


FIG. 5

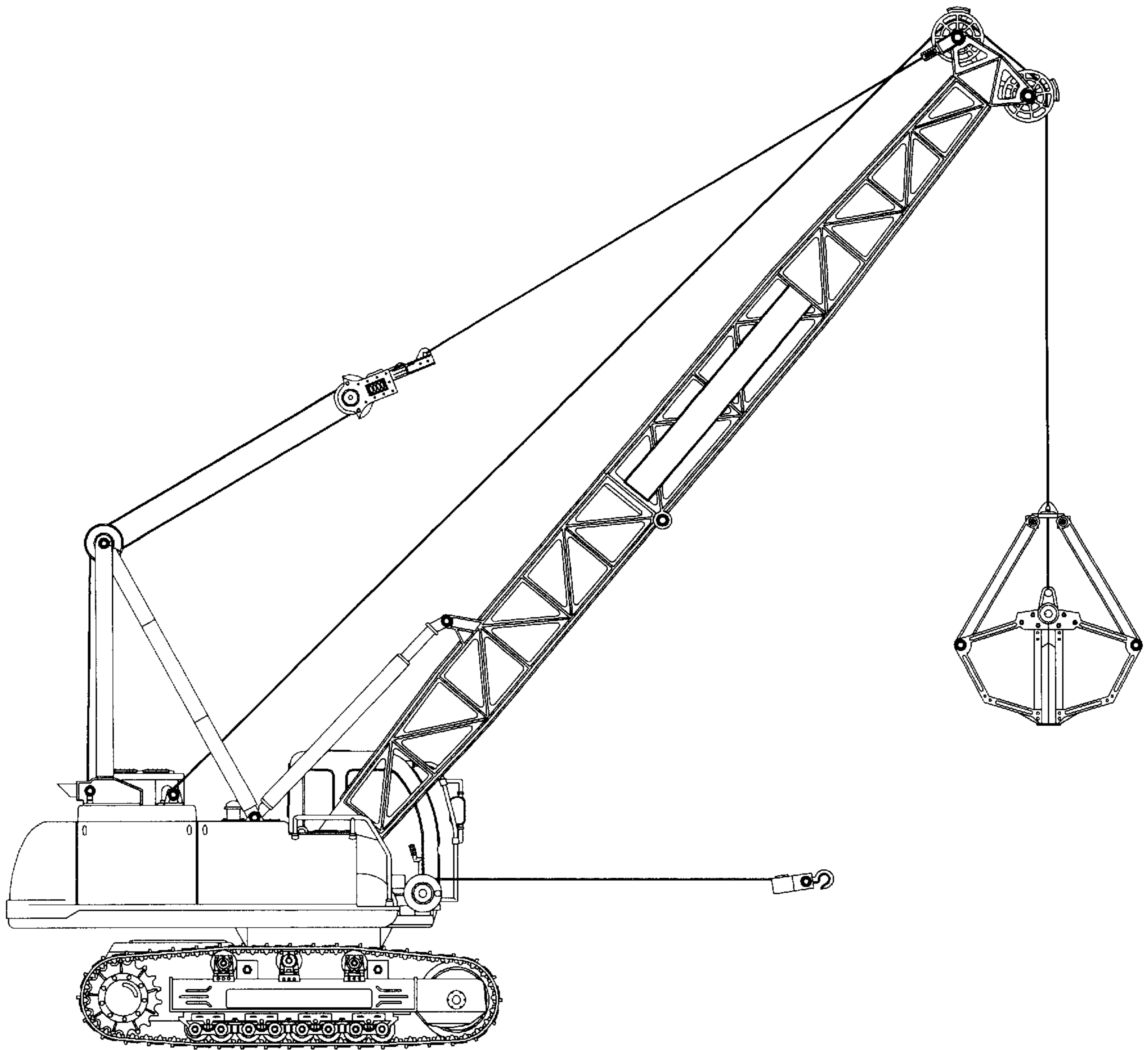


FIG. 6

