



US00D425576S

United States Patent [19]
Michaelson

[11] **Patent Number: Des. 425,576**

[45] **Date of Patent: ** May 23, 2000**

[54] **DOLL CHAIR**

[76] Inventor: **H. Ward Michaelson**, 4 Whitfield La.,
Tanglewood Hills, Coram, N.Y. 11727

[**] Term: **14 Years**

[21] Appl. No.: **29/109,925**

[22] Filed: **Aug. 24, 1999**

[51] **LOC (7) Cl.** **21-01**

[52] **U.S. Cl.** **D21/521; D6/358**

[58] **Field of Search** **D21/521, 519;**
D6/348, 345, 351, 358; 446/479, 482, 488

[56] **References Cited**

U.S. PATENT DOCUMENTS

D. 295,432	4/1988	Baranek	D21/521
D. 322,364	12/1991	Smith	D6/358
D. 324,961	3/1992	Gandy	D6/348
D. 335,224	5/1993	Freeman	D6/348
1,559,111	10/1925	Lees	D21/521

Primary Examiner—Raphael Barkai

Attorney, Agent, or Firm—Gottlieb Rackman & Reisman
PC

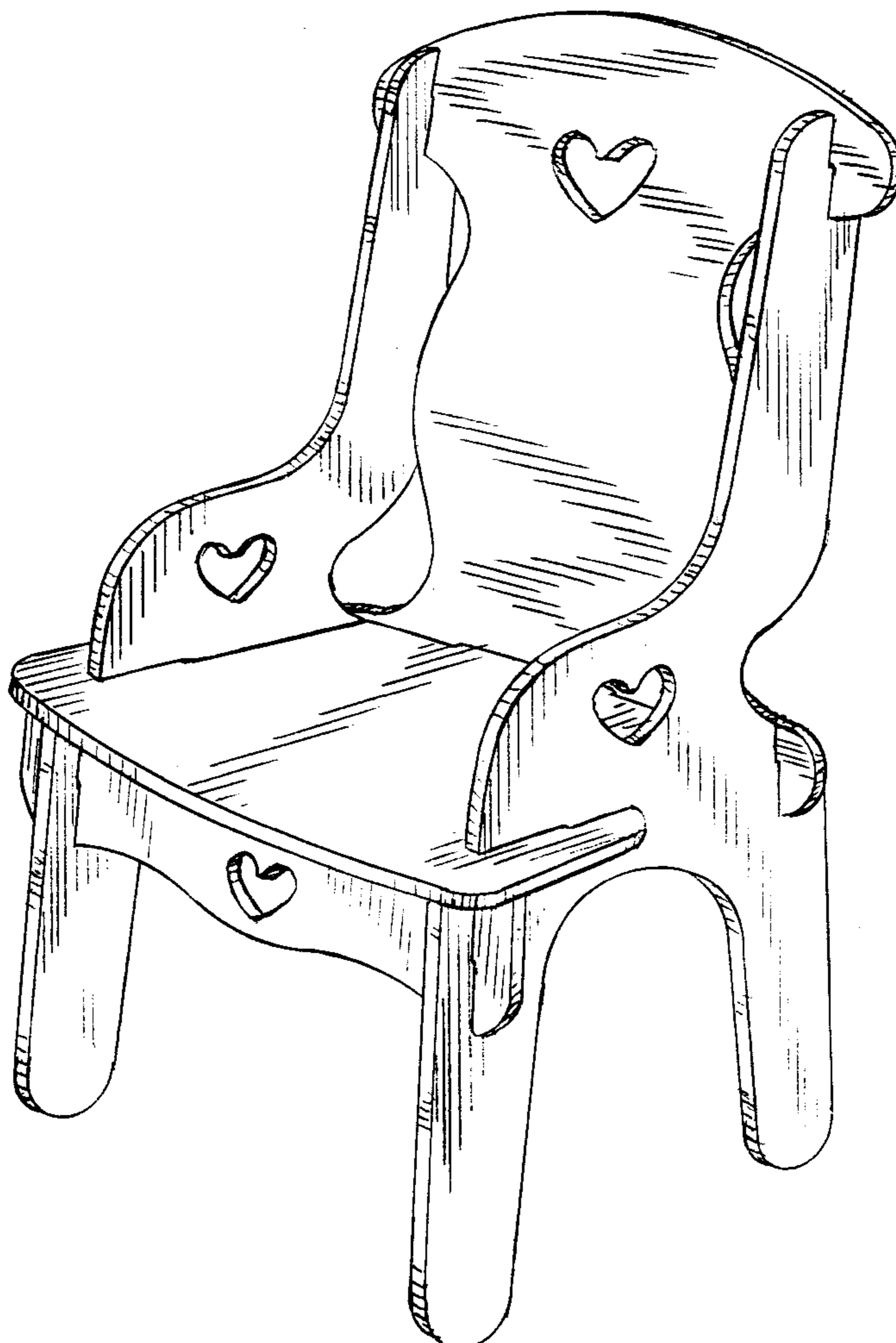
[57] **CLAIM**

The ornamental design for a doll chair, as shown and described herein.

DESCRIPTION

FIG. 1 is a perspective view of the doll chair;
 FIG. 2 is a frontal view of the doll chair;
 FIG. 3 is a left side view of the doll chair;
 FIG. 4 is a top view of the doll chair;
 FIG. 5 is a bottom view of the doll chair;
 FIG. 6 is a right side view of the doll chair;
 FIG. 7 is a backside view of the doll chair;
 FIG. 8 is a perspective view of another embodiment of the doll chair;
 FIG. 9 is a frontal view of the doll chair of FIG. 8;
 FIG. 10 is a left side view of the doll chair of FIG. 8;
 FIG. 11 is a top view of the doll chair of FIG. 8;
 FIG. 12 is a bottom view of the doll chair of FIG. 8;
 FIG. 13 is a right side view of the doll chair of FIG. 8; and,
 FIG. 14 is a backside view of the doll chair of FIG. 8.

1 Claim, 8 Drawing Sheets



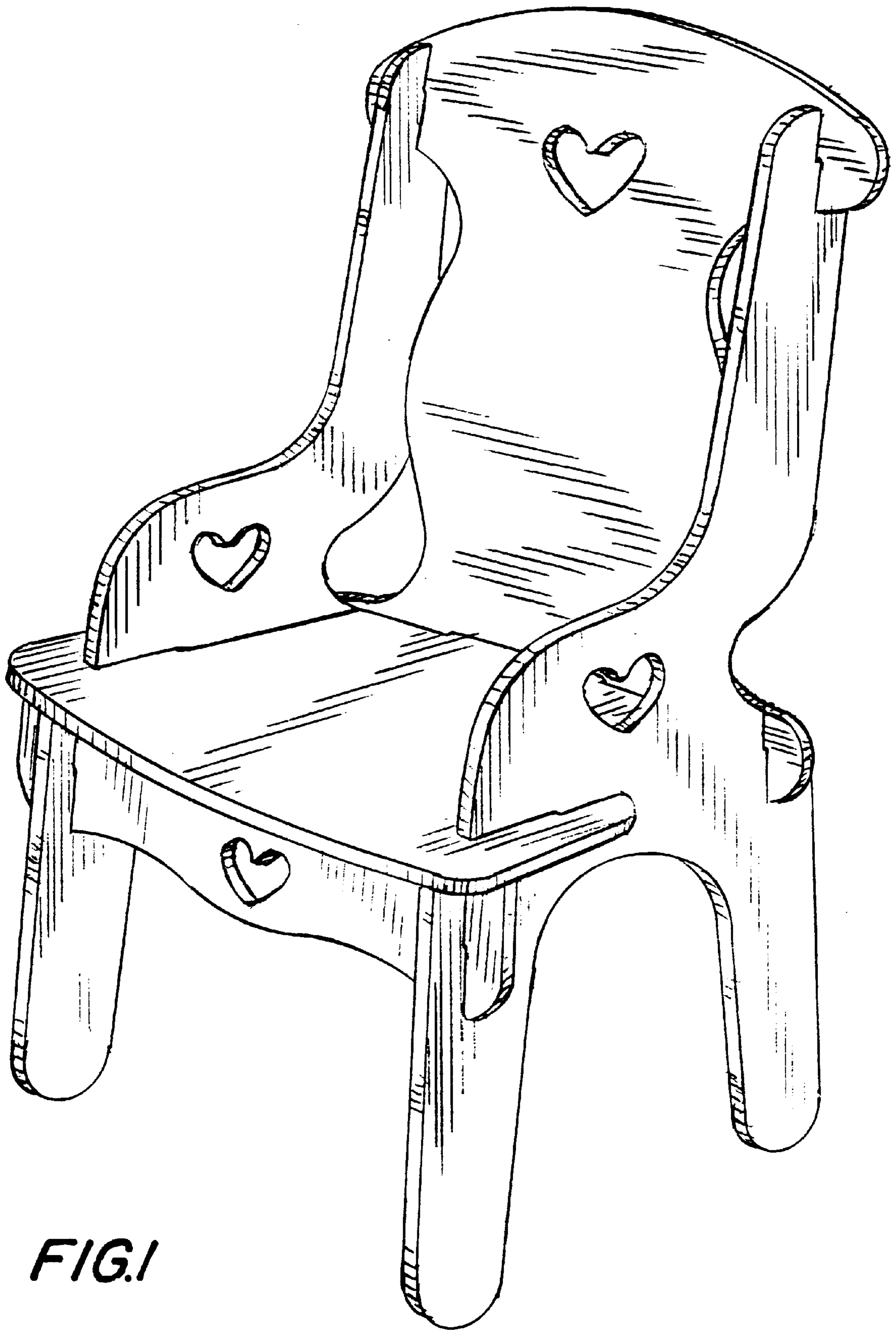


FIG. 1

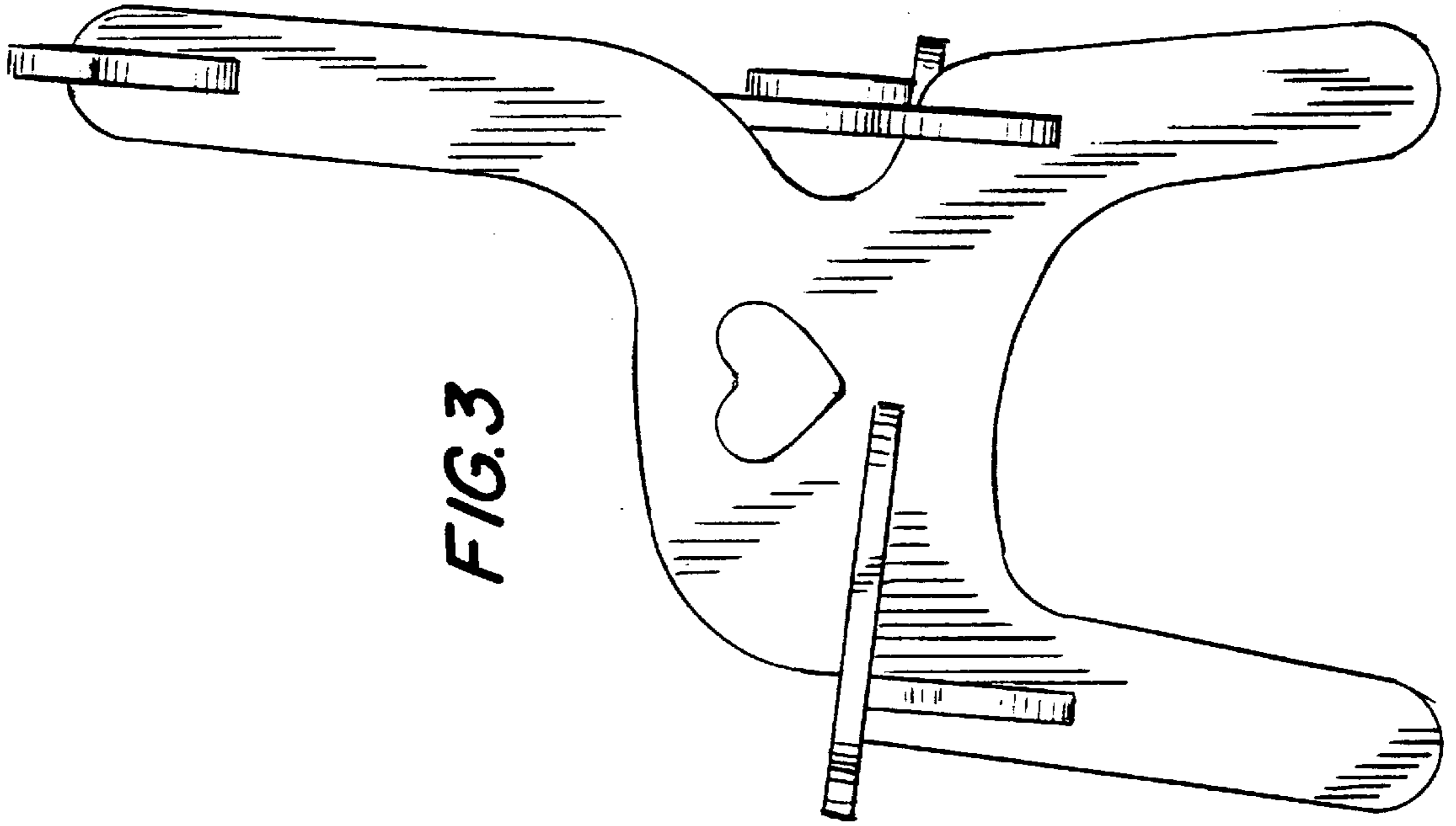


FIG. 2

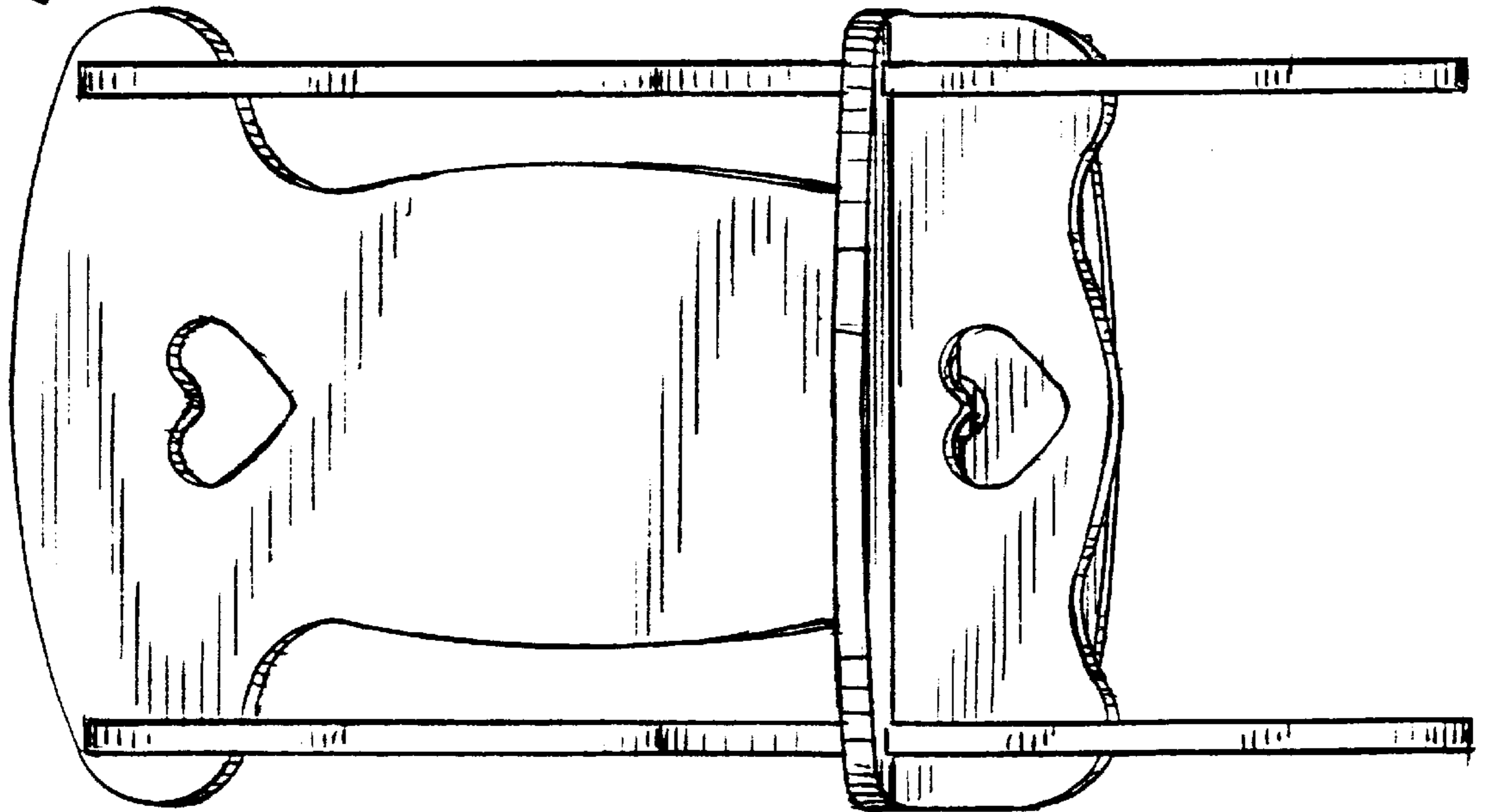


FIG. 4

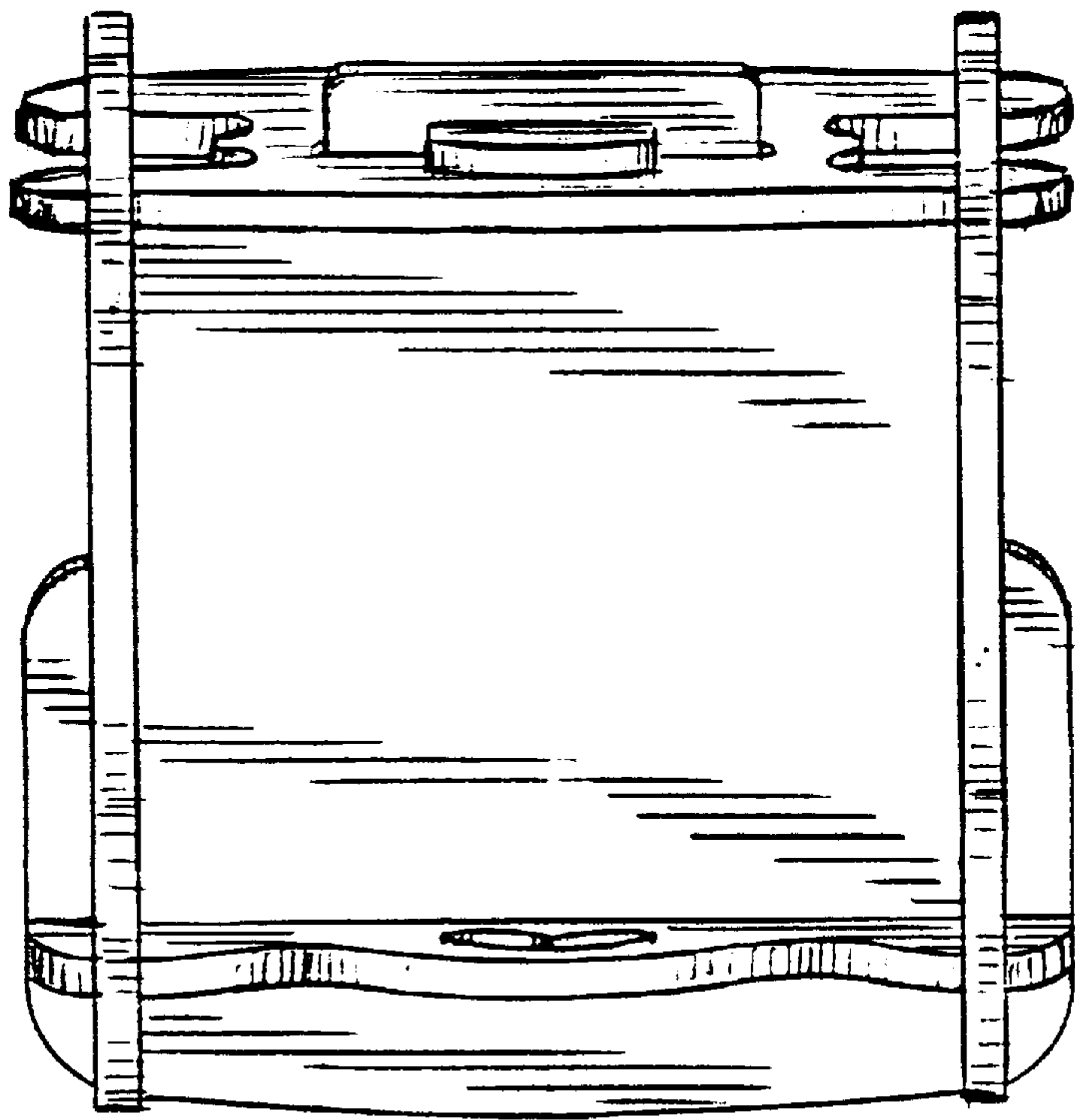
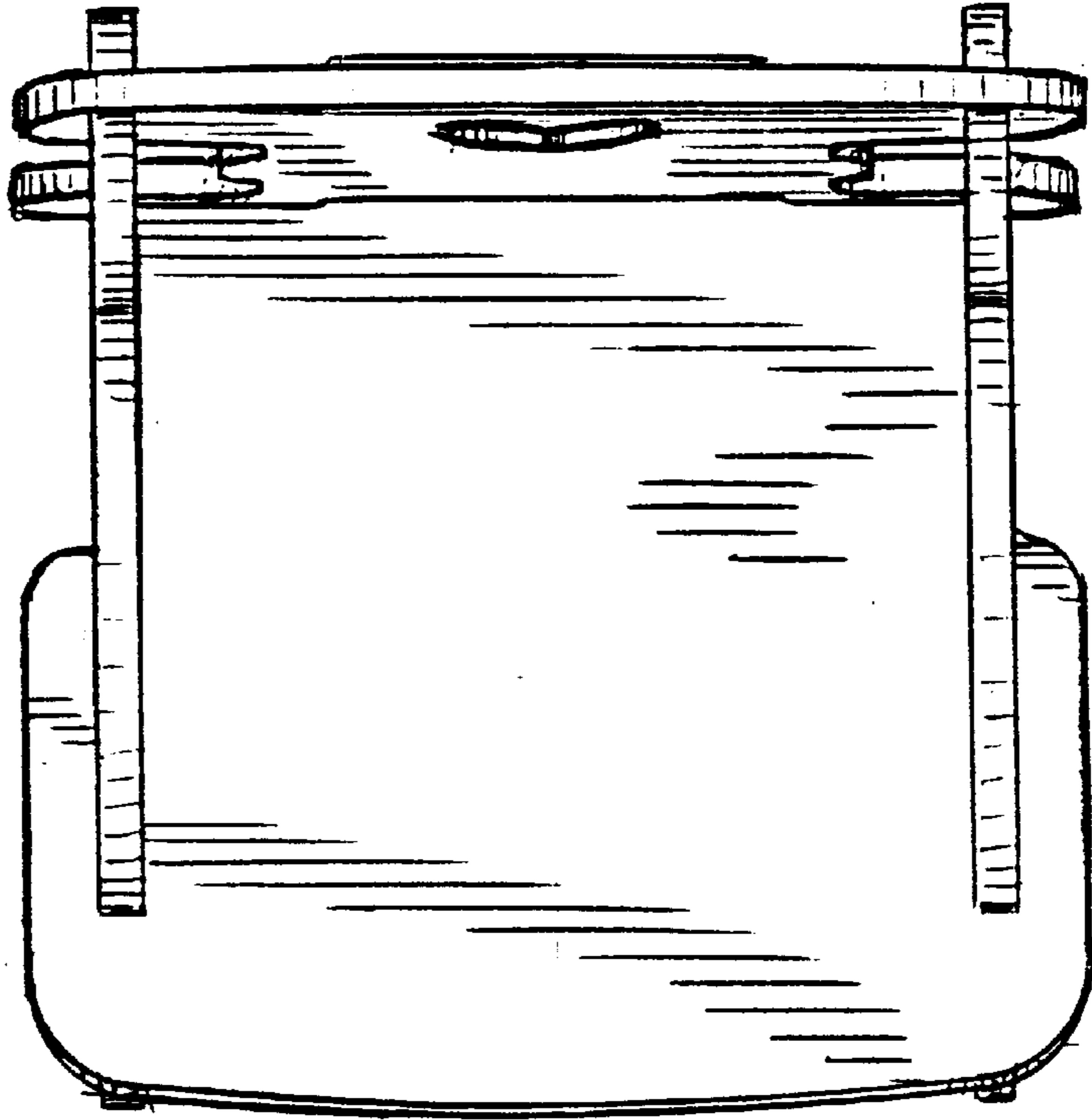


FIG. 5

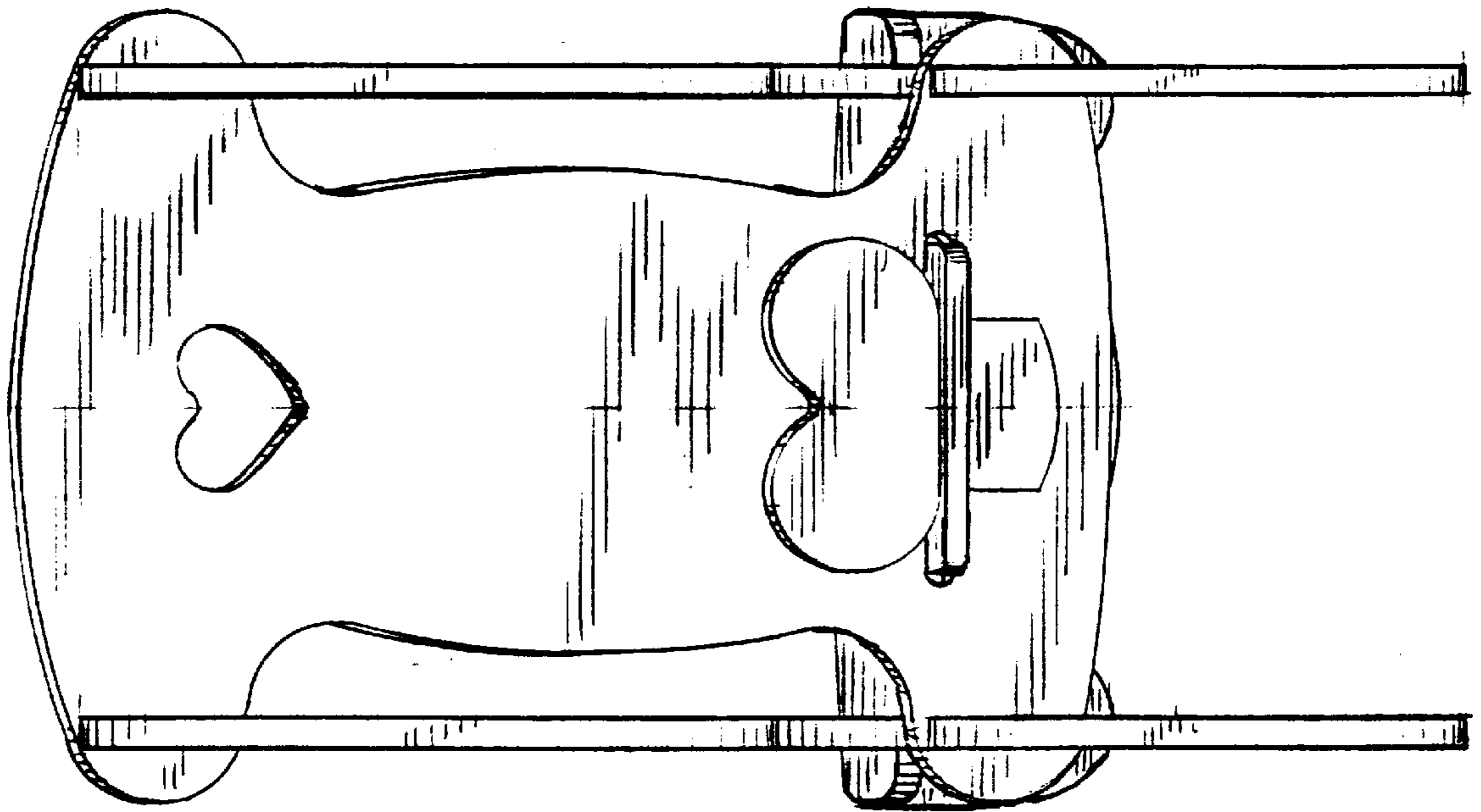


FIG. 7

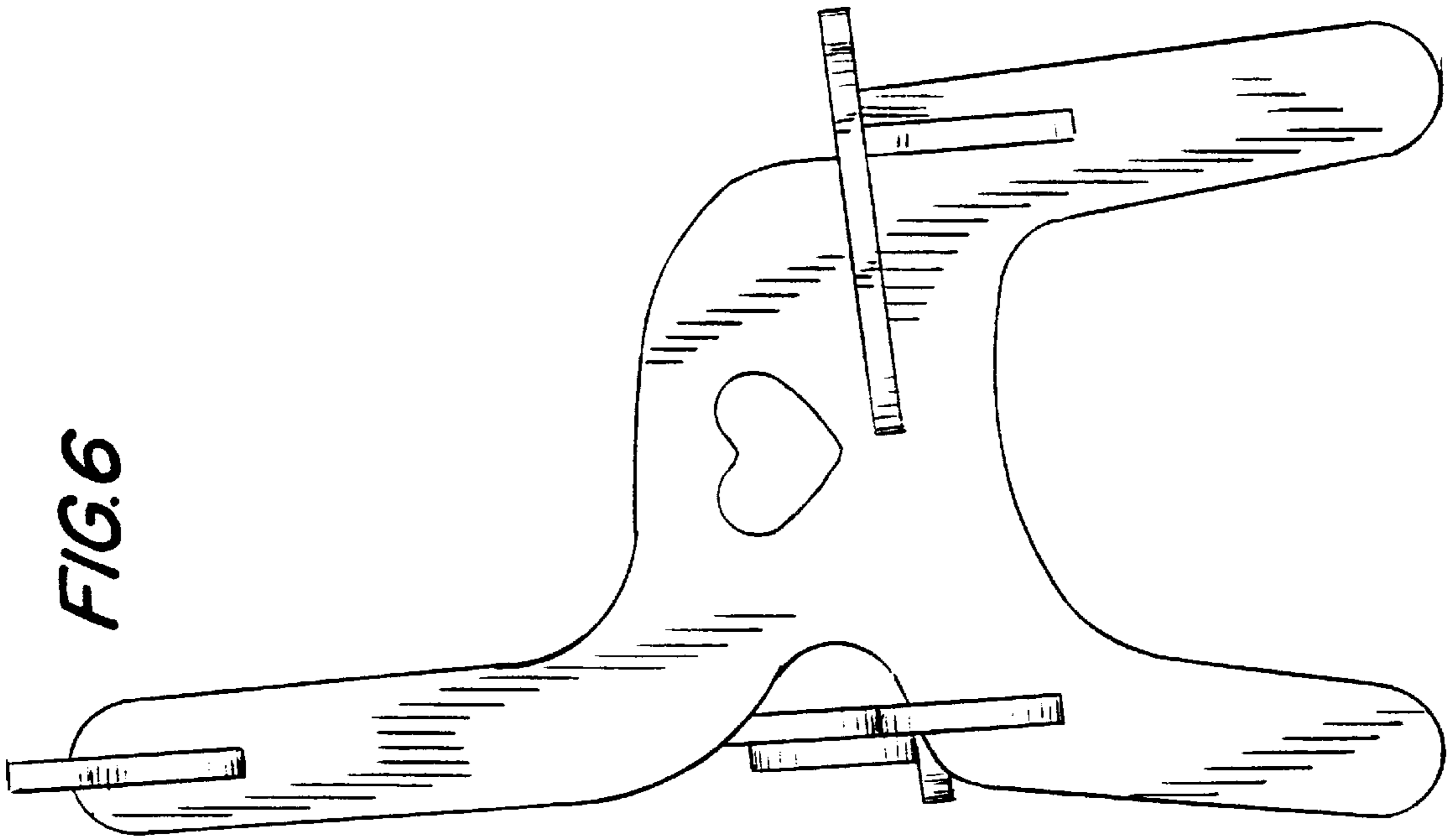


FIG. 6

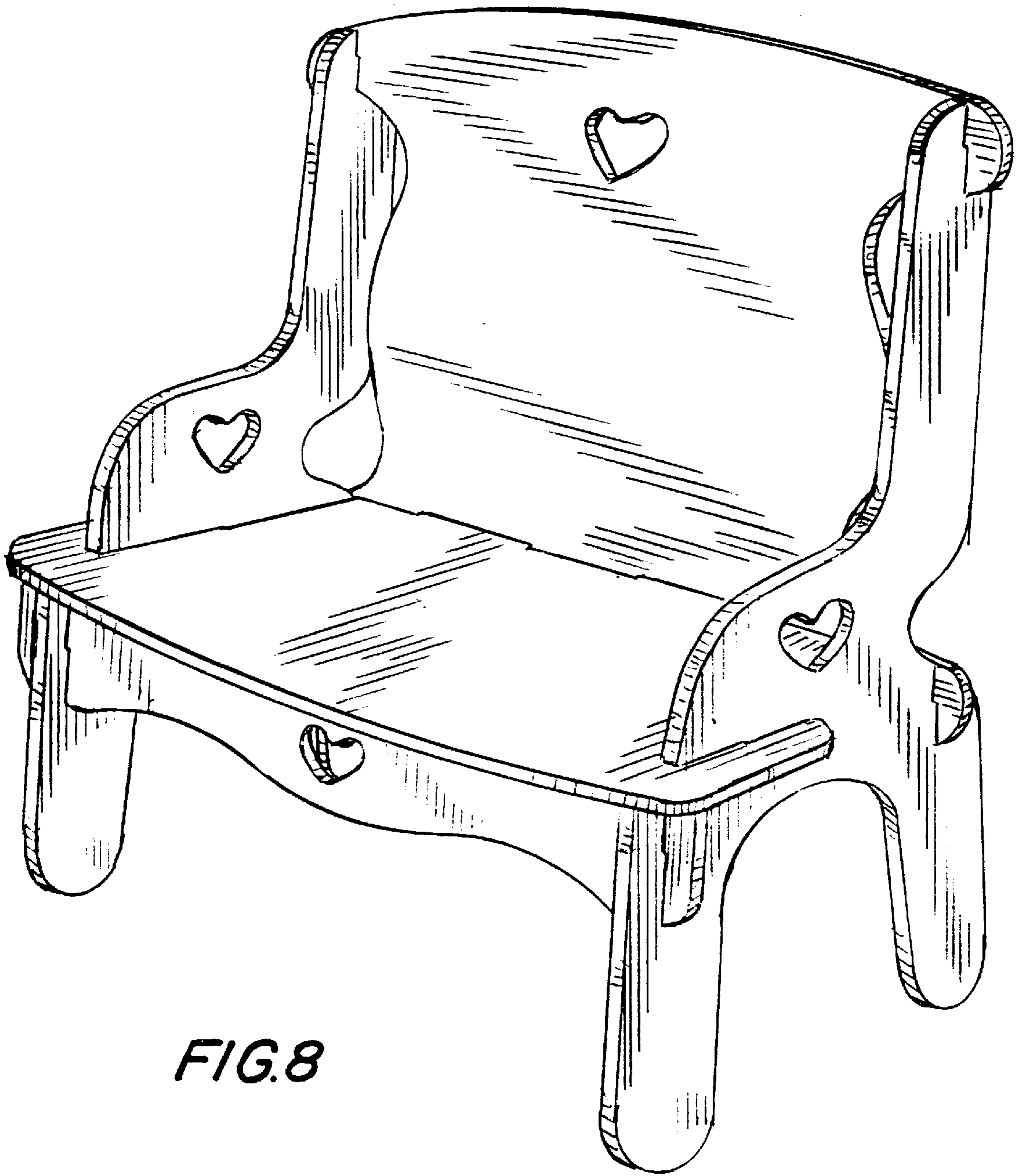


FIG. 8

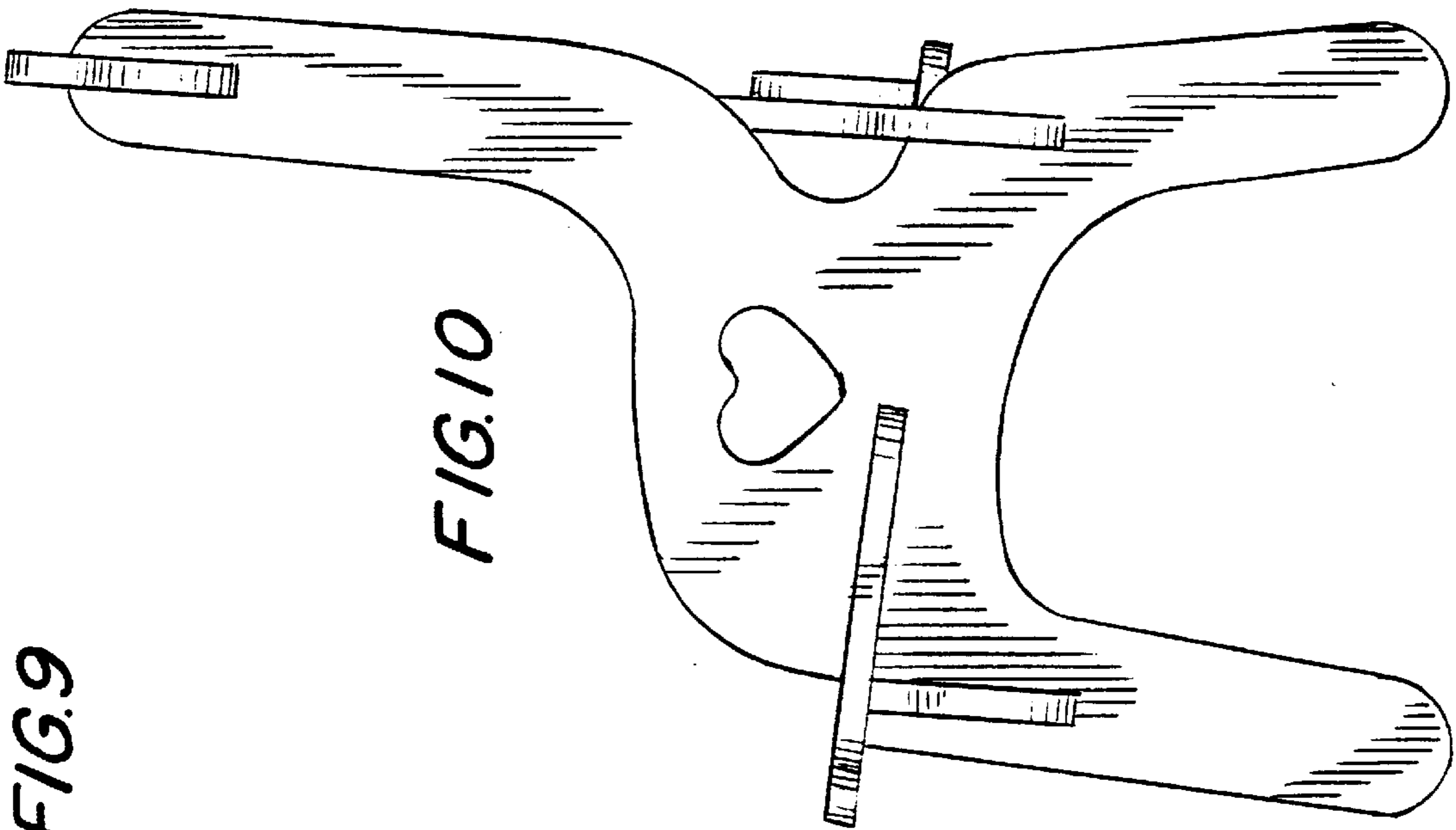


FIG. 10

FIG. 9

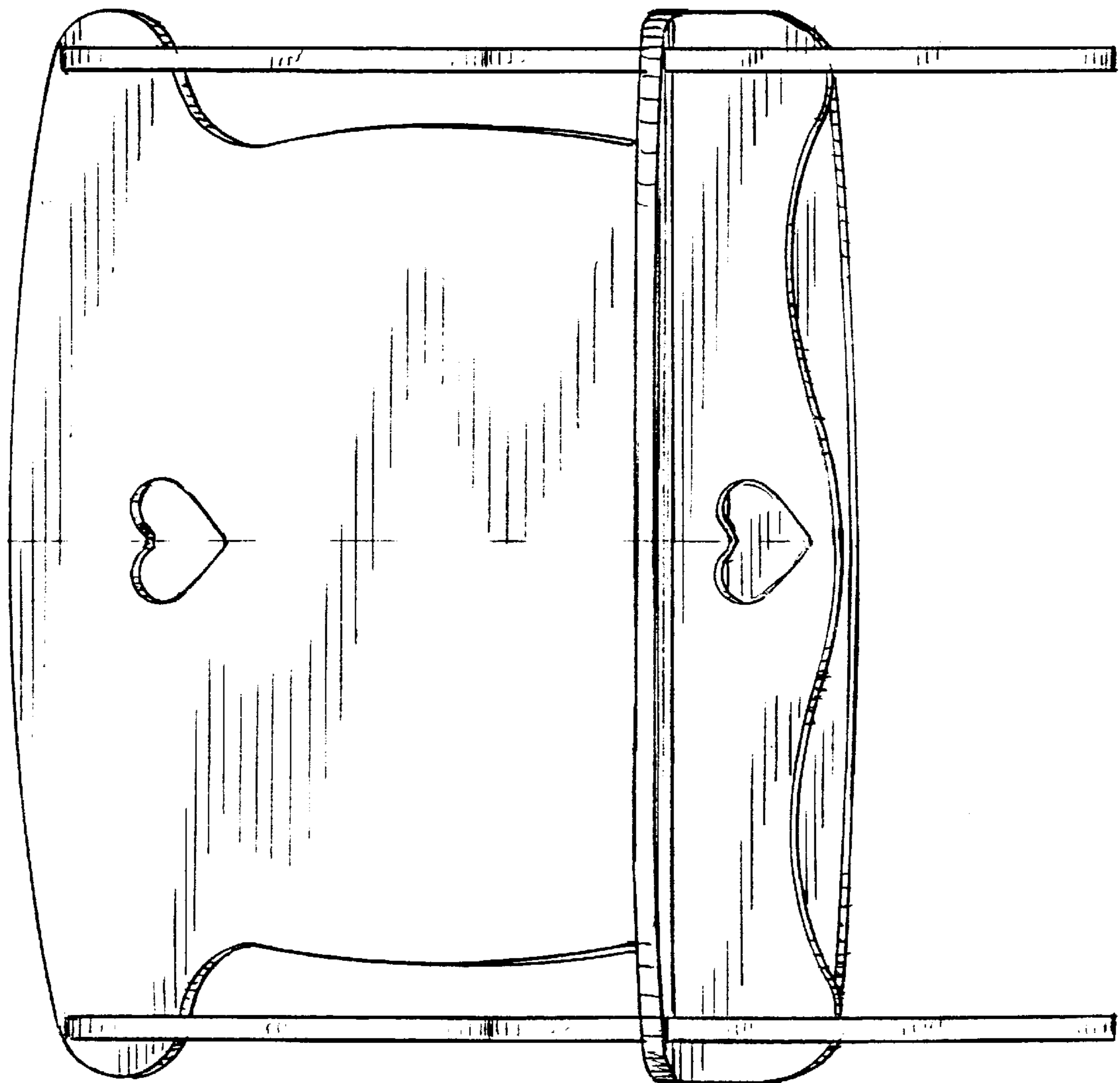


FIG. 11

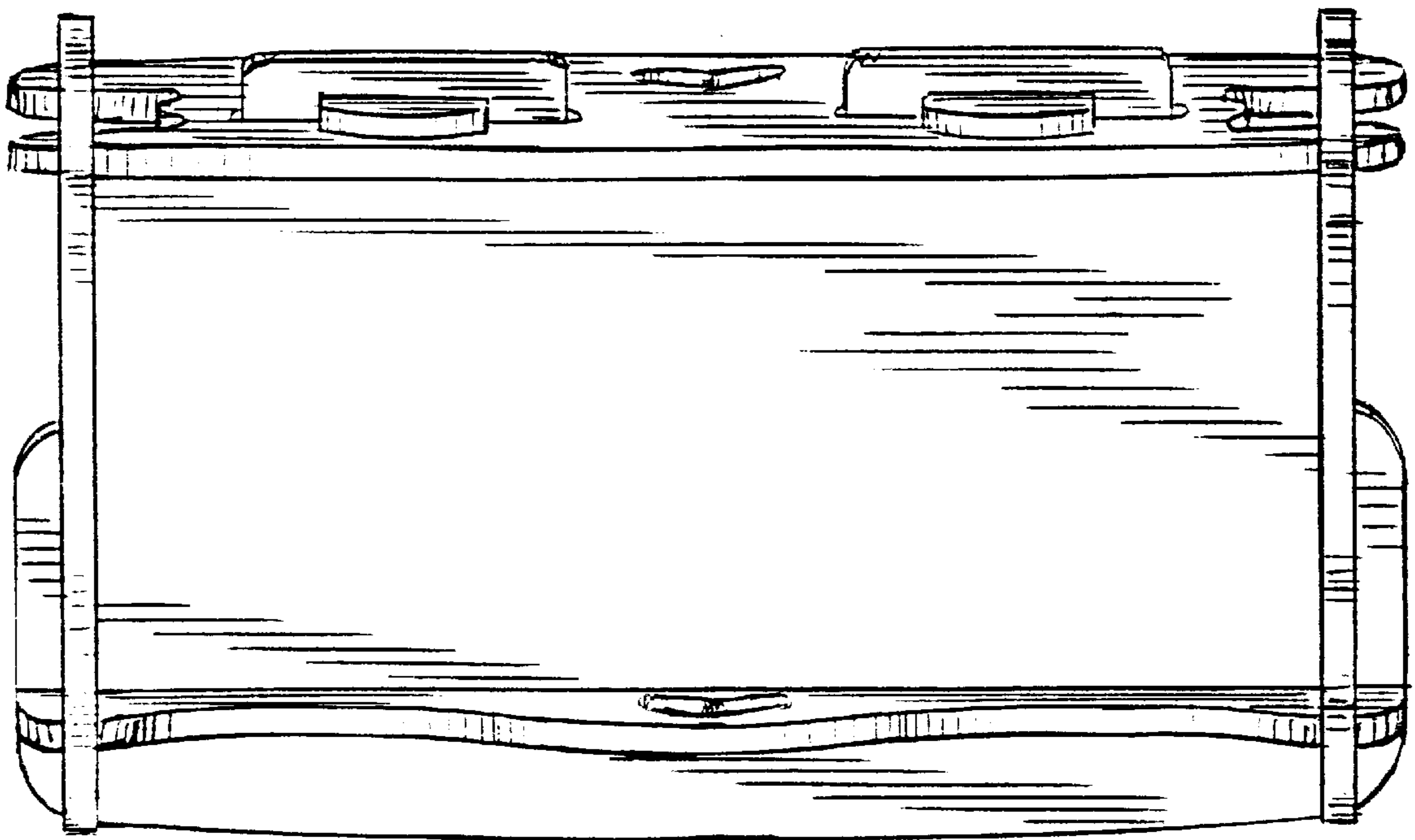
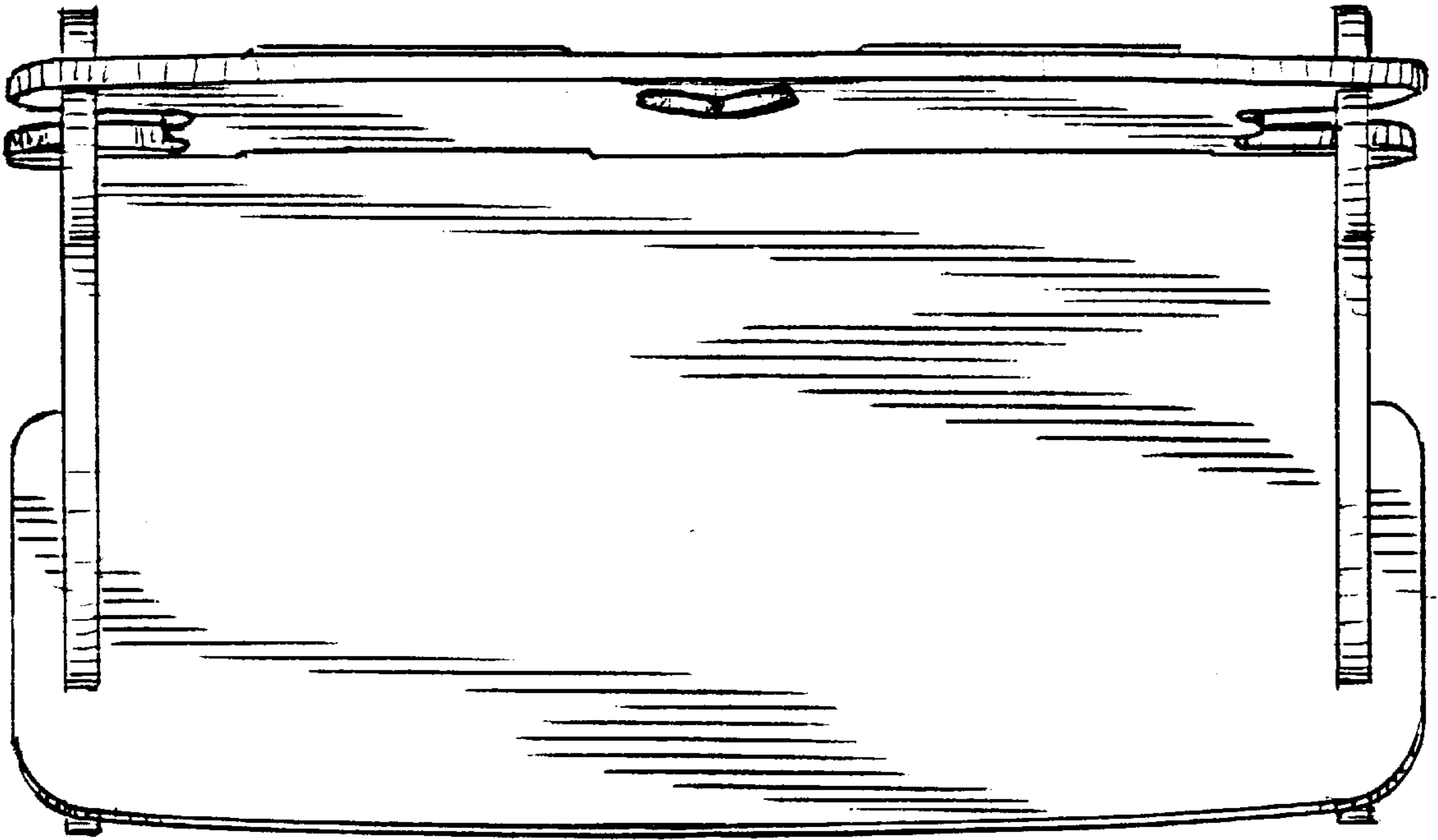


FIG. 12

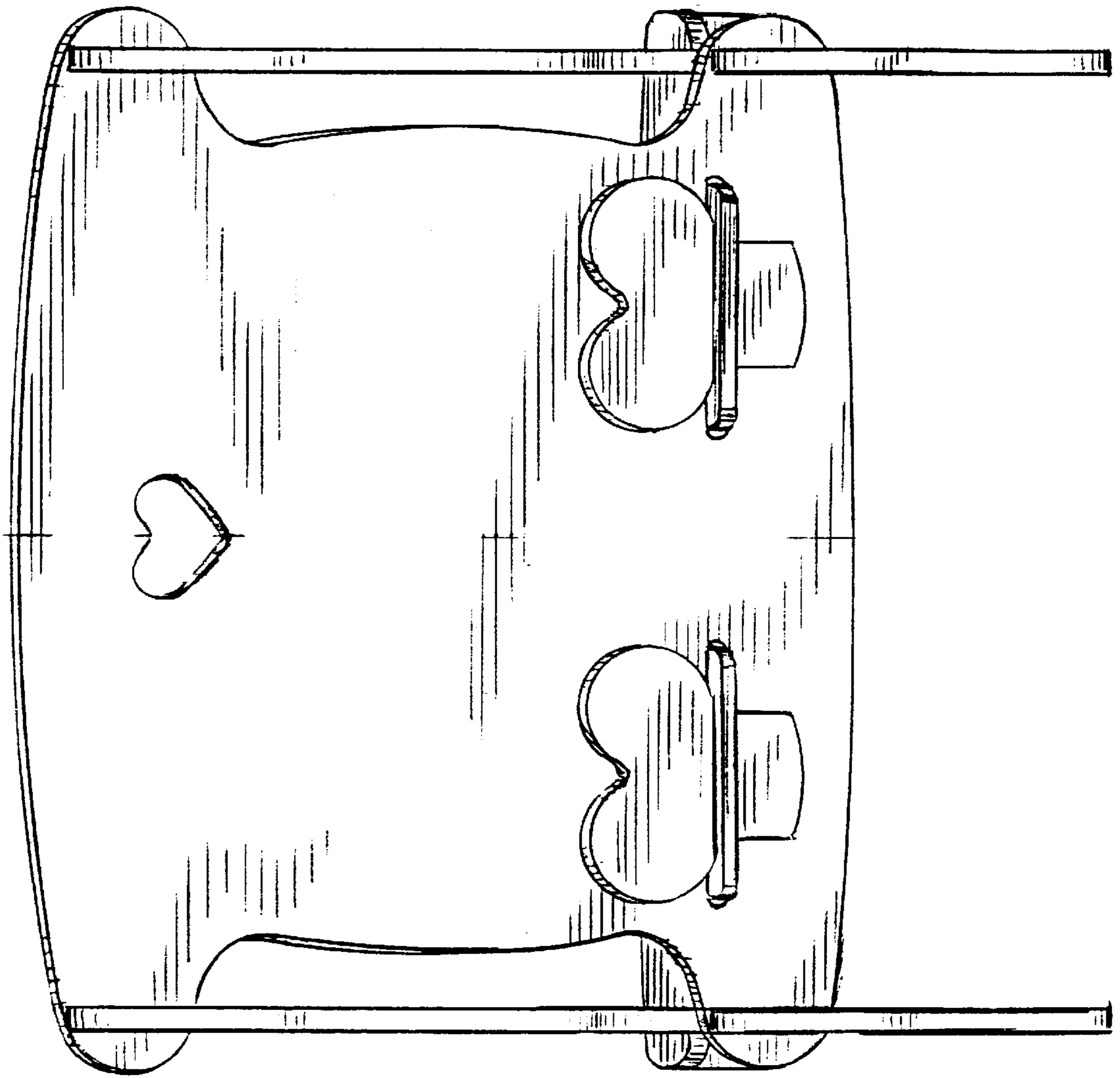


FIG. 13

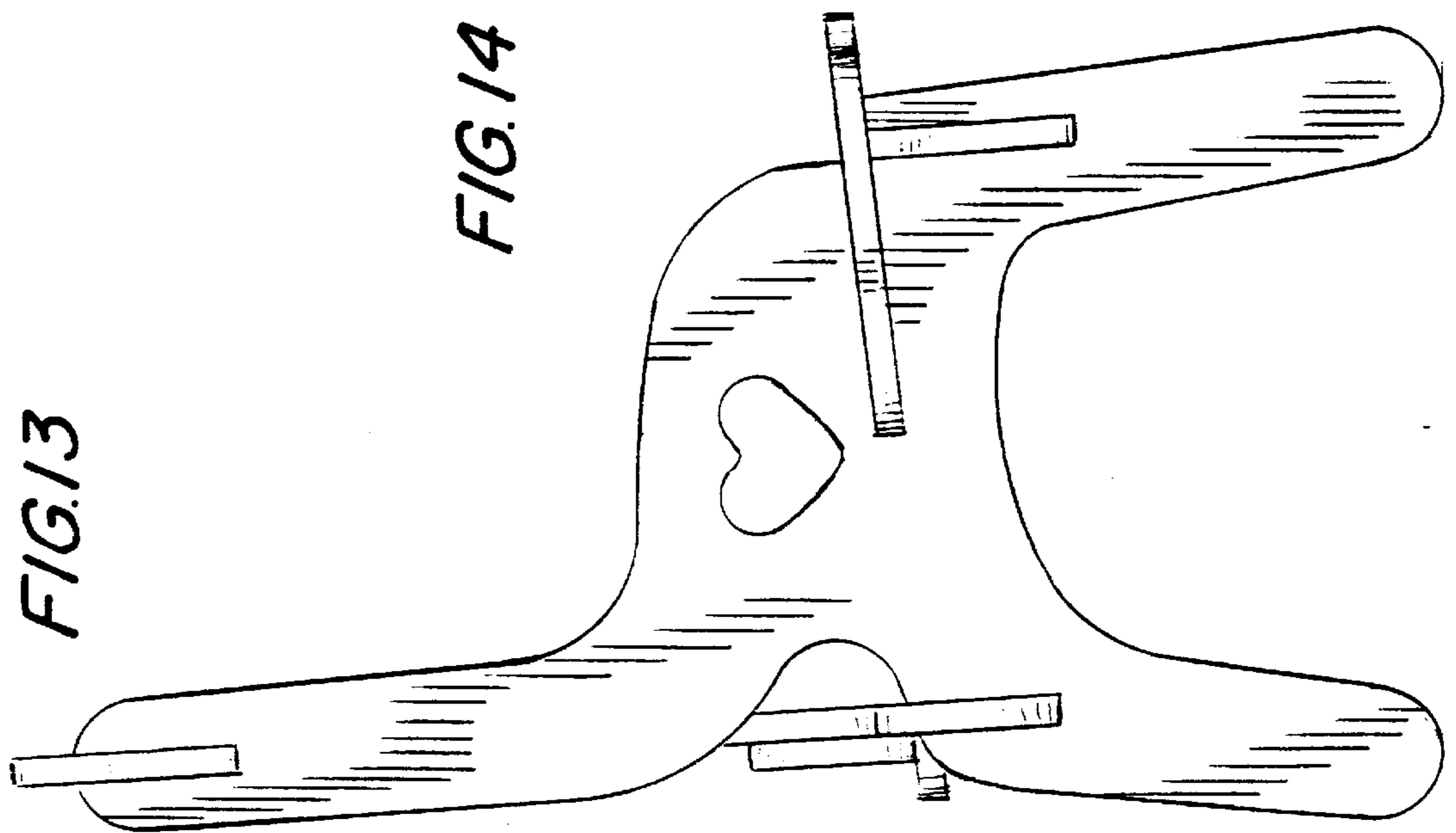


FIG. 14