



US00D425570S

United States Patent [19]

Otomi et al.

[11] Patent Number: **Des. 425,570**

[45] Date of Patent: **** May 23, 2000**

[54] **GAME MACHINE**

[75] Inventors: **Makiko Otomi; Koichi Nishio; Hirofumi Nagao**, all of Kobe, Japan

[73] Assignee: **Konami Co., Ltd.**, Hyogo-Ken, Japan

[**] Term: **14 Years**

[21] Appl. No.: **29/106,194**

[22] Filed: **Jun. 10, 1999**

[30] **Foreign Application Priority Data**

Dec. 16, 1998 [JP] Japan 10-36223

[51] **LOC (7) Cl.** **21-01**

[52] **U.S. Cl.** **D21/325**

[58] **Field of Search** D21/324, 325, D21/326, 328, 302, 574; 463/1, 2, 30, 31, 35, 46, 47, 51, 52; 273/355, 356, 857, 405

[56] **References Cited**

U.S. PATENT DOCUMENTS

D. 253,001 9/1979 Huang D21/325

D. 406,182	2/1999	Chikui et al.	D21/325
4,215,867	8/1980	Natwick	273/357
5,299,810	4/1994	Pierce et al.	463/30 X
5,318,295	6/1994	Hofer	463/30 X
5,439,230	8/1995	Mendis, Jr.	463/51 X
5,795,224	8/1998	Yoshida	463/2
5,853,324	12/1998	Kami et al.	463/2

Primary Examiner—Prabhakar Deshmukh
Attorney, Agent, or Firm—Jordan and Hamburg LLP

[57] **CLAIM**

The ornamental design for a game machine, as shown and described.

DESCRIPTION

FIG. 1 is a perspective view of a game machine; FIG. 2 is a front view of the game machine; FIG. 3 is a rear view of the game machine; FIG. 4 is a left side view of the game machine; FIG. 5 is a right side view of the game machine; FIG. 6 is a top view of the game machine; and, FIG. 7 is a bottom view of the game machine;

1 Claim, 5 Drawing Sheets

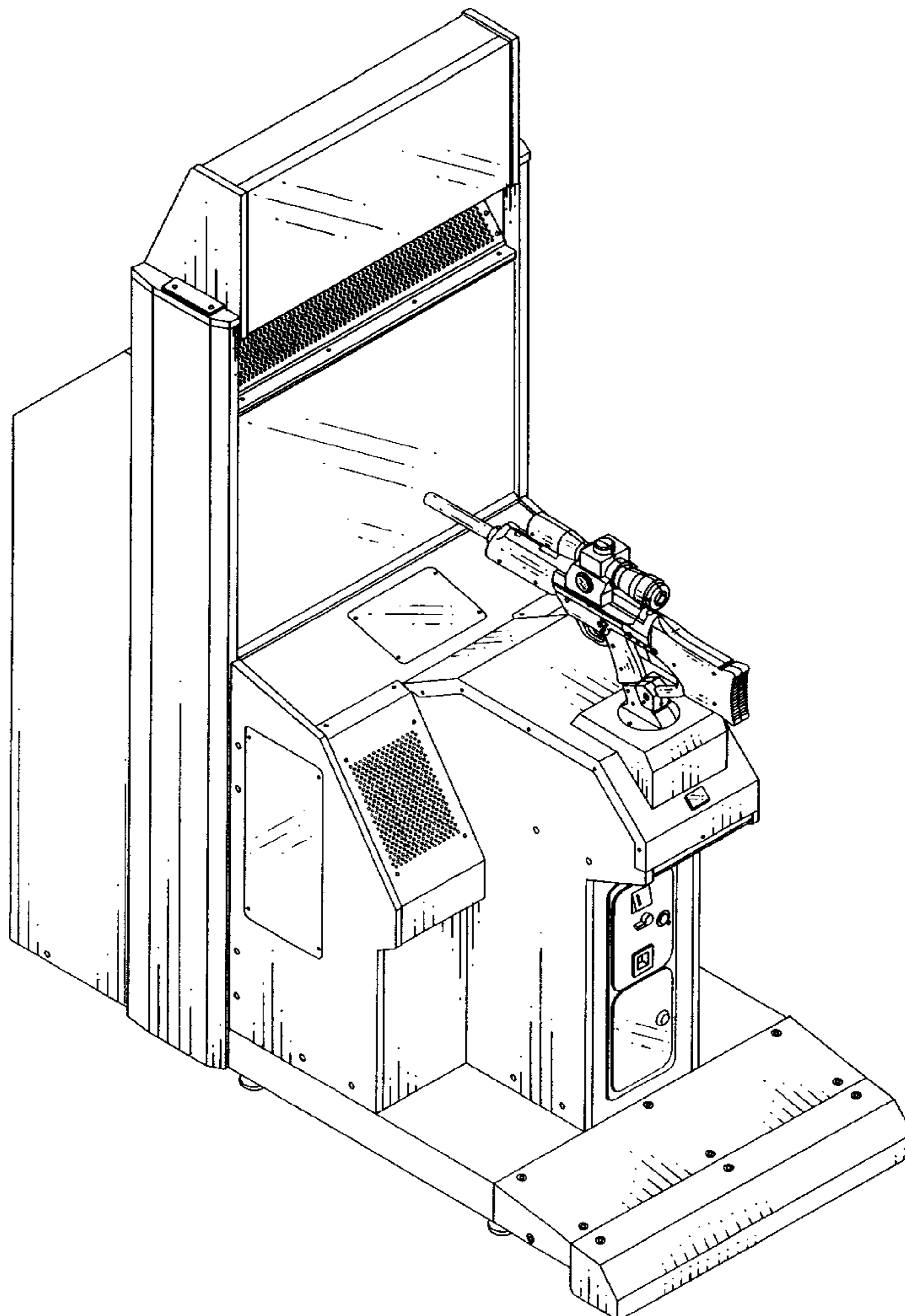


FIG. 1

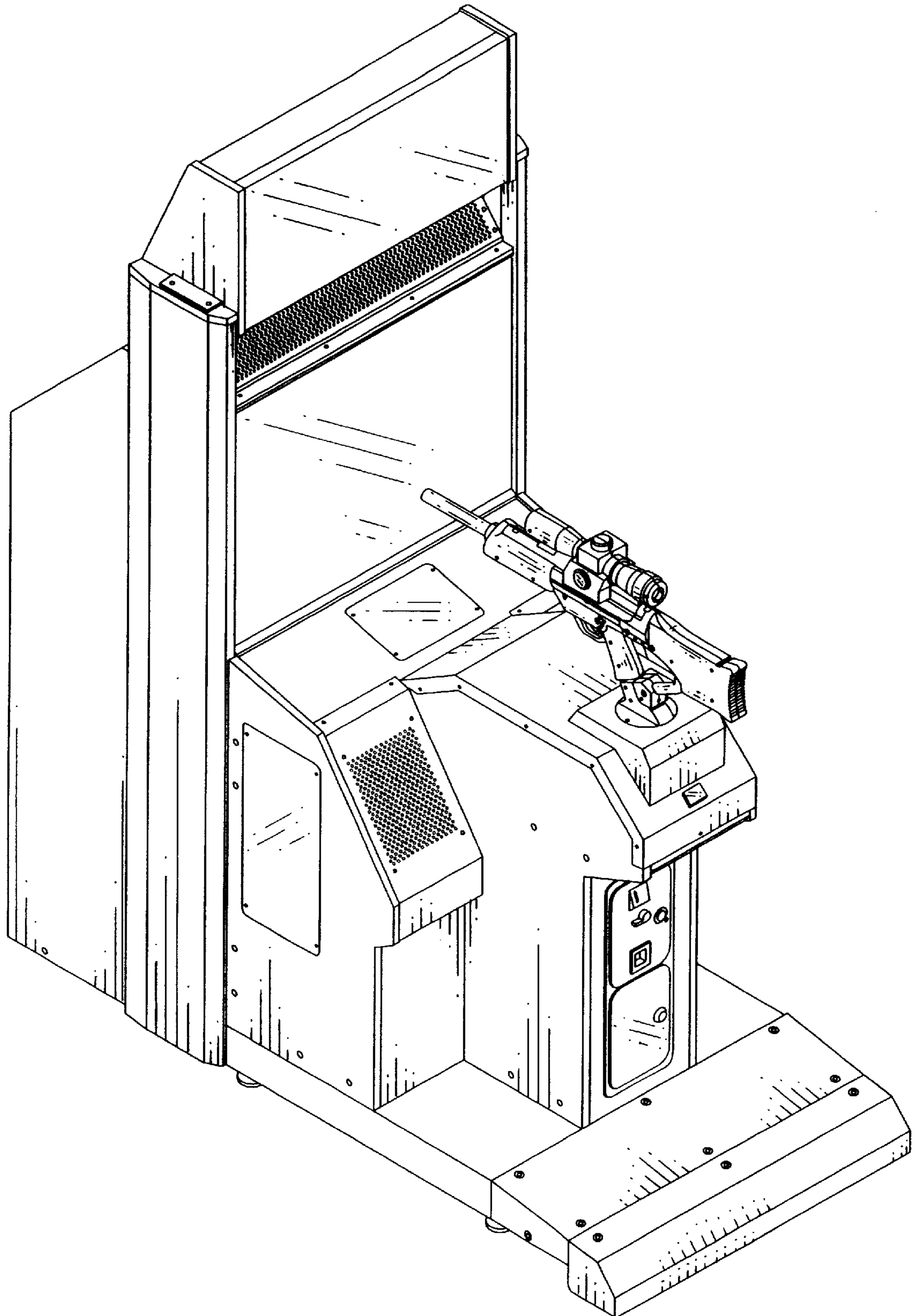


FIG. 2

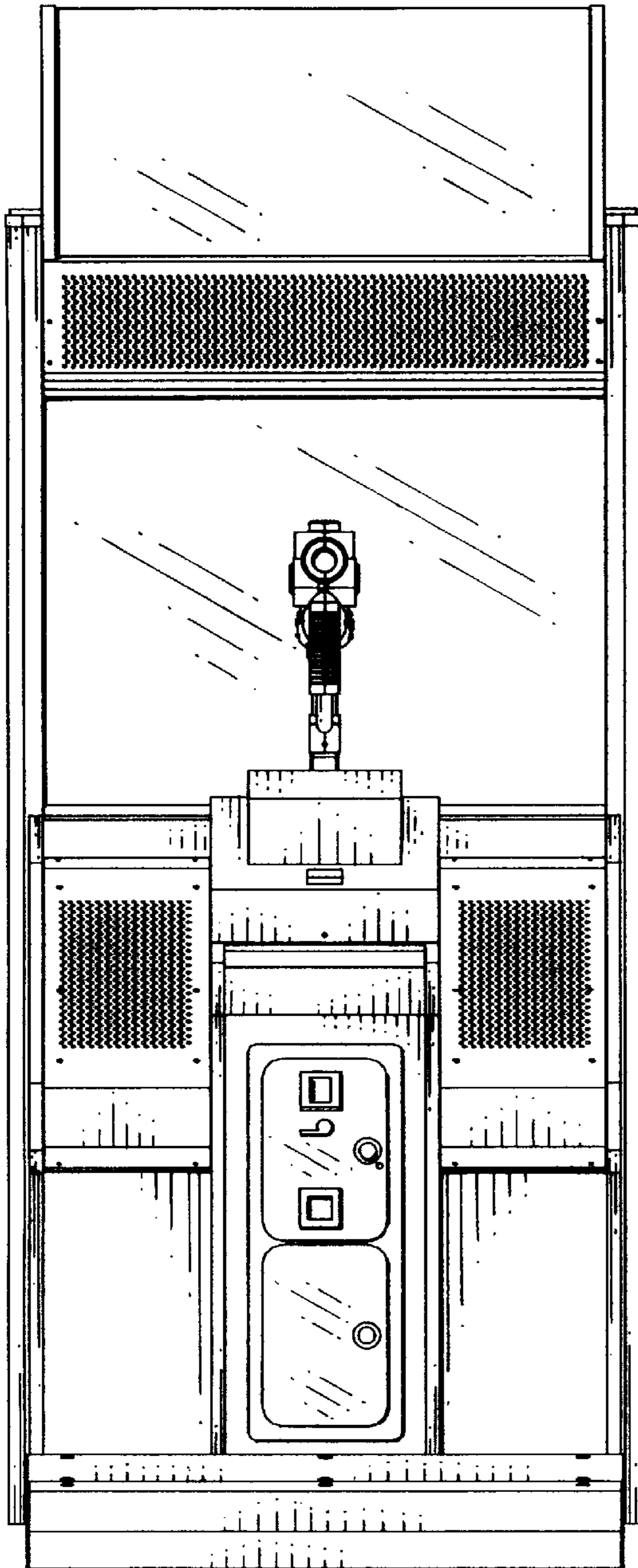


FIG. 3

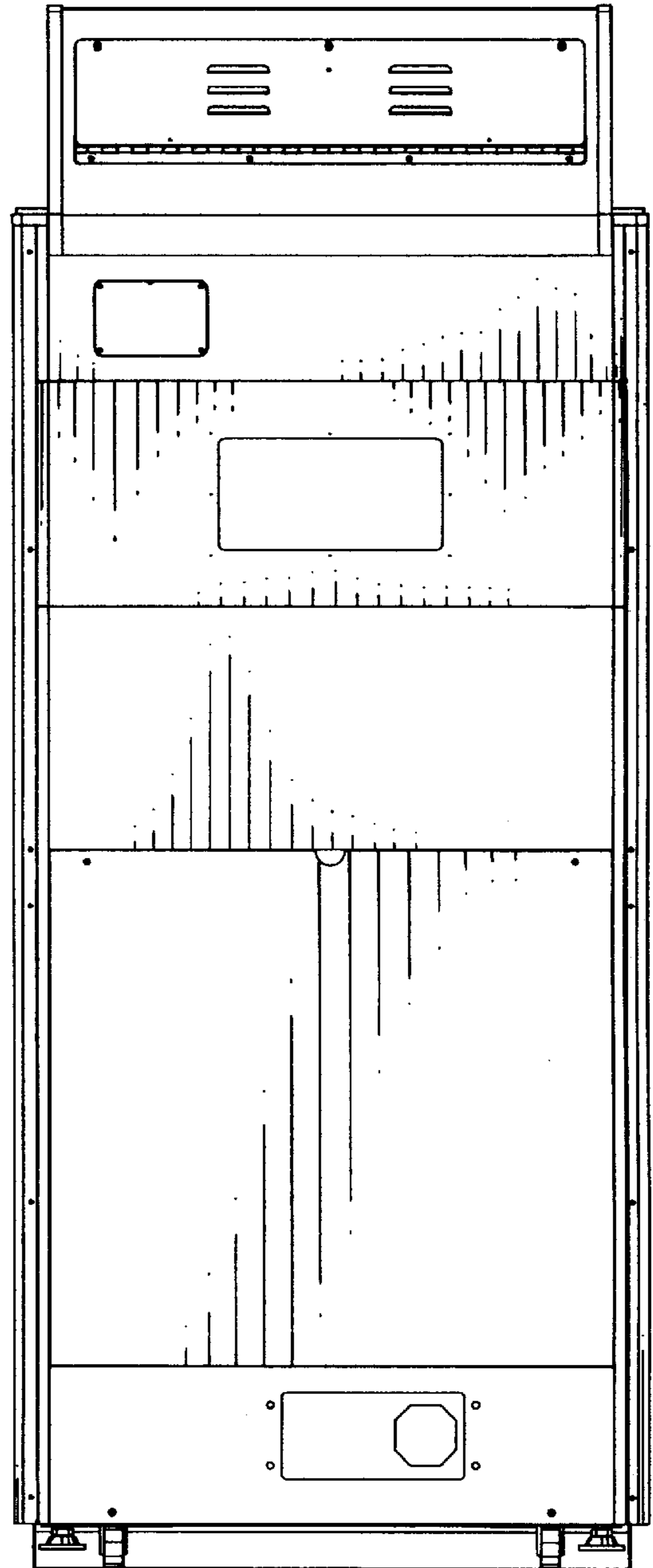


FIG. 4

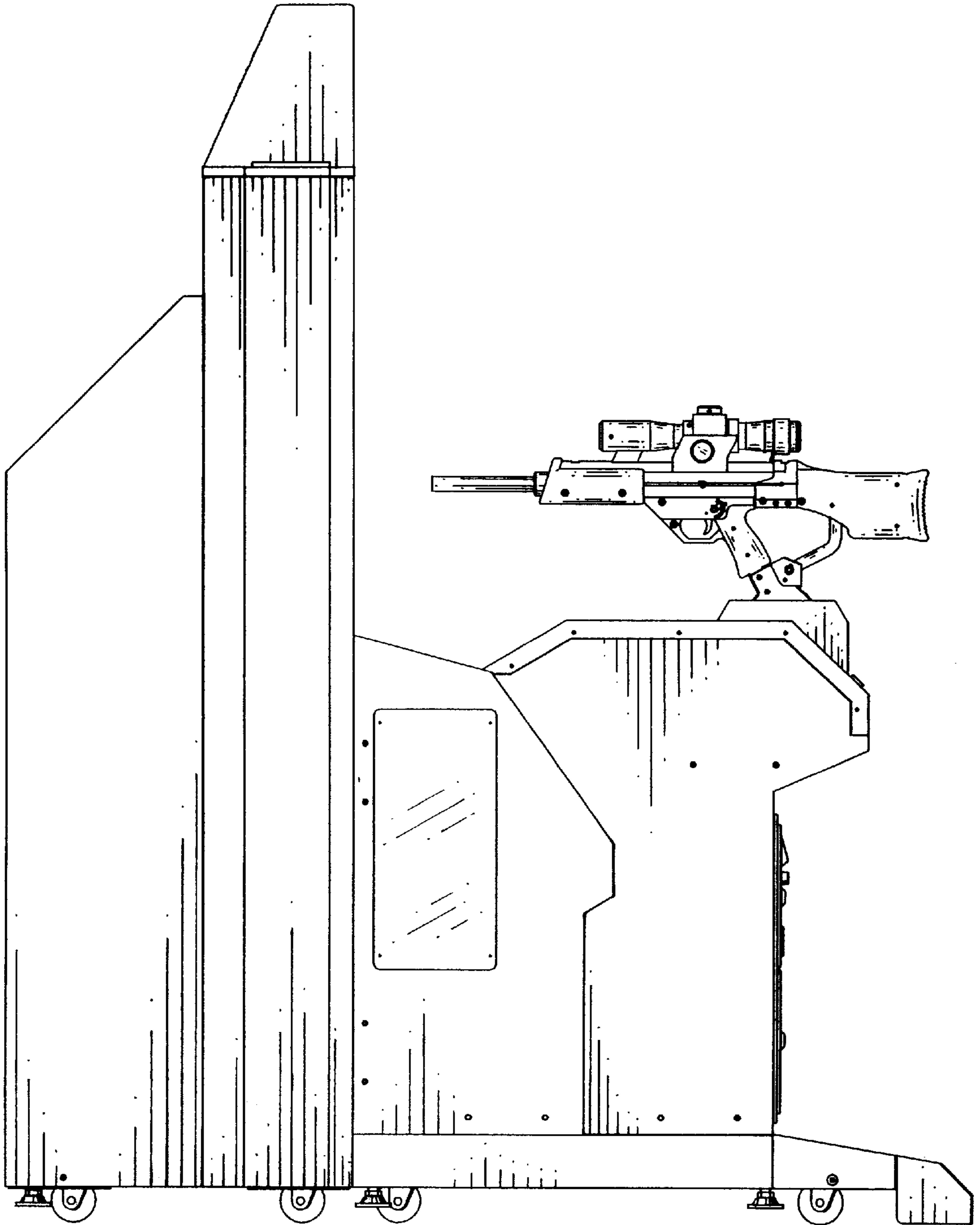


FIG. 5

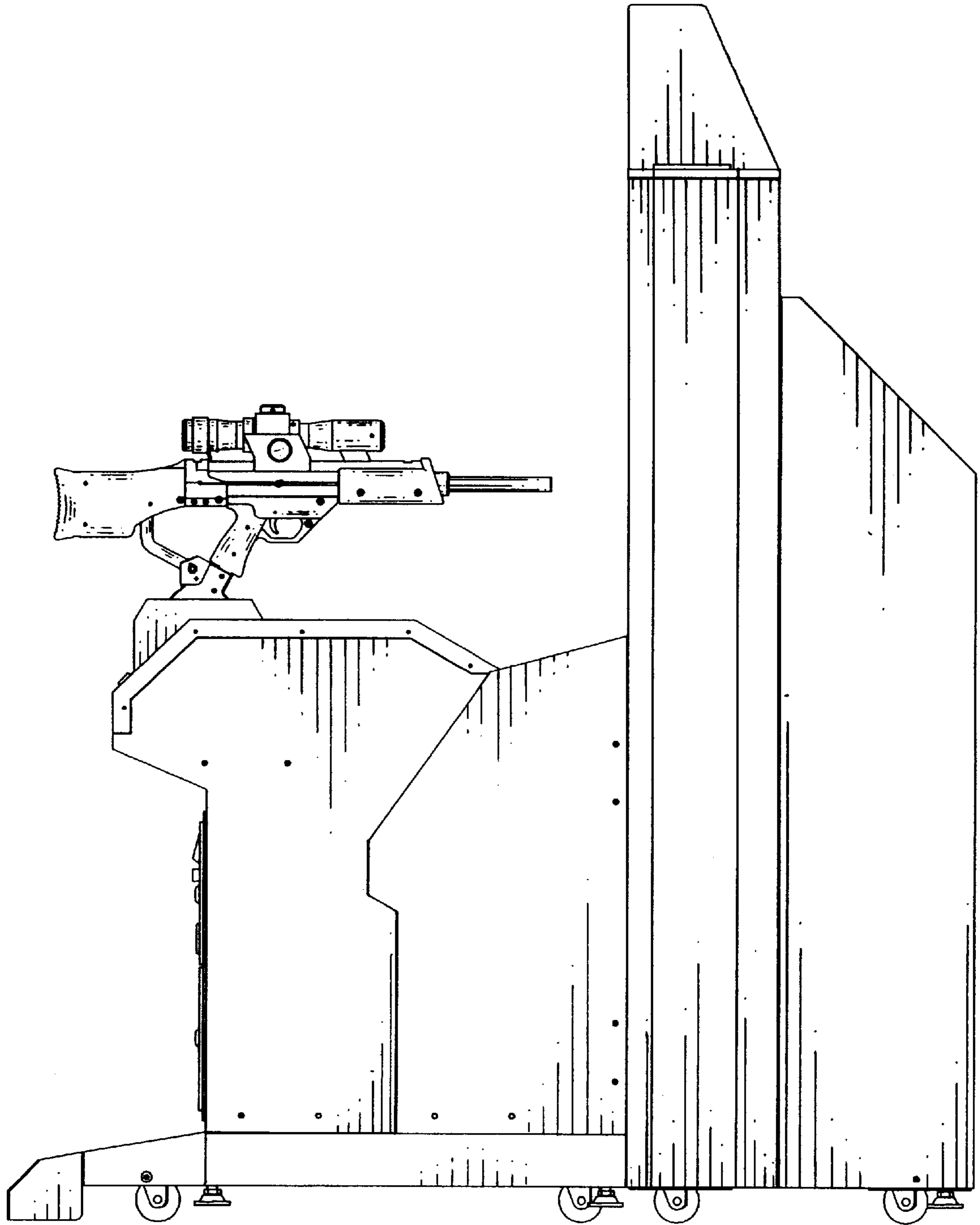


FIG. 6

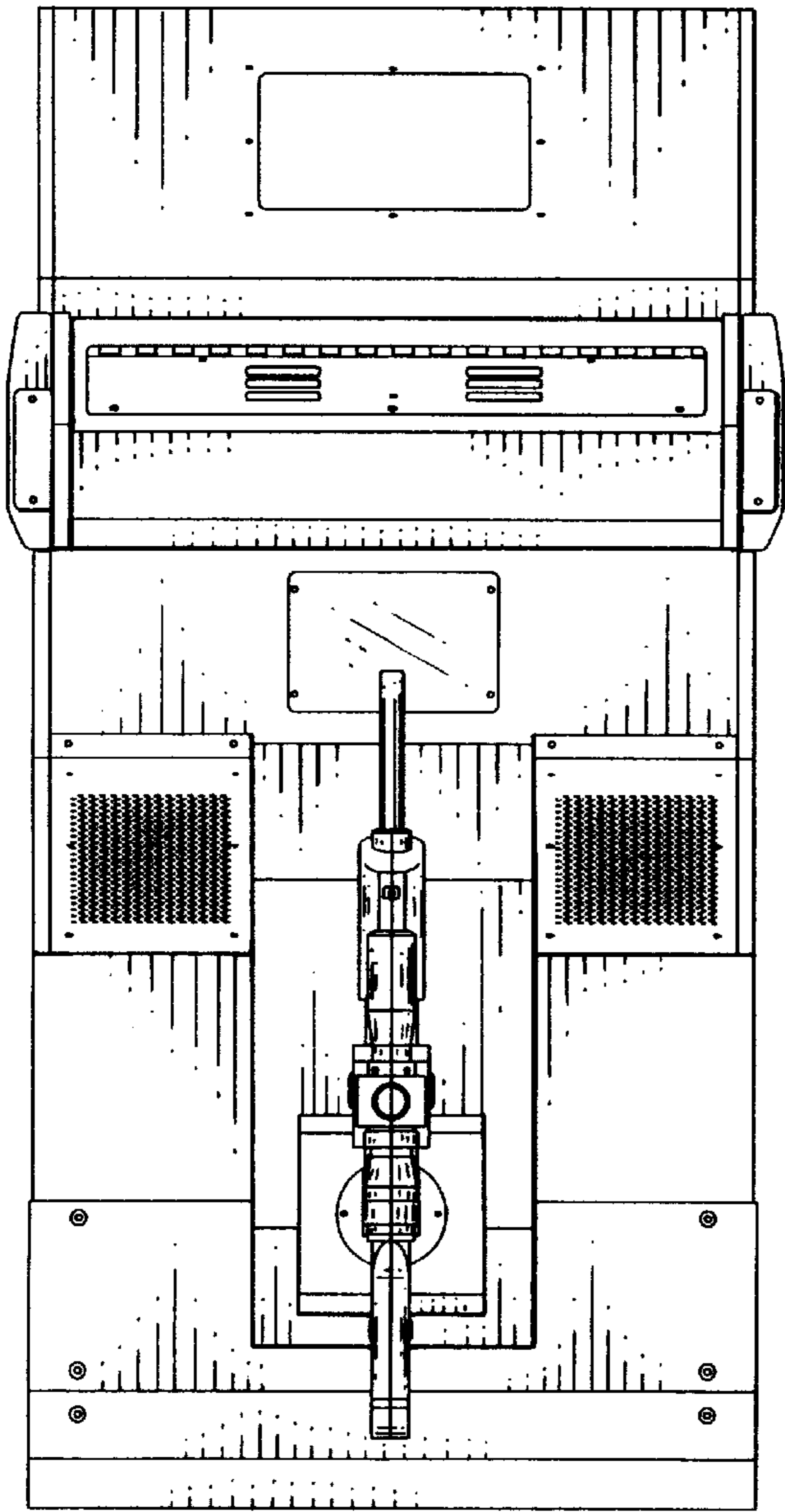


FIG. 7

